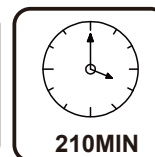
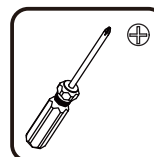
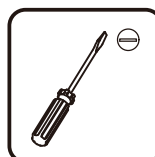
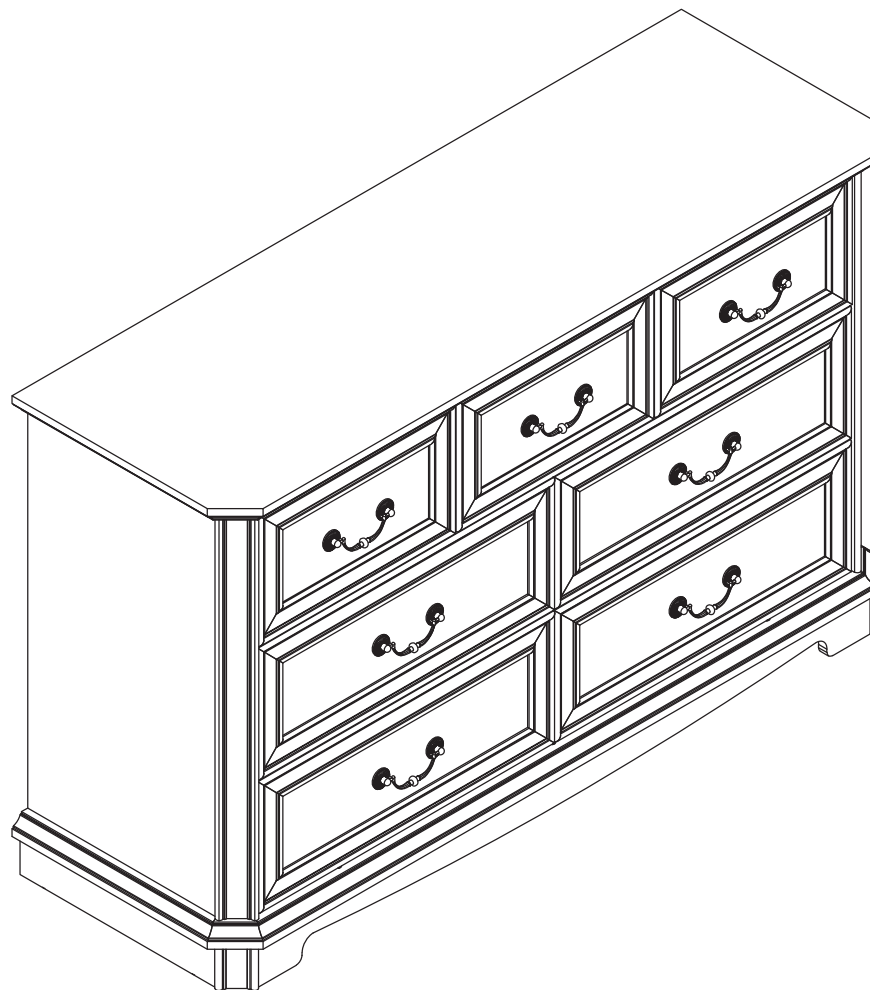
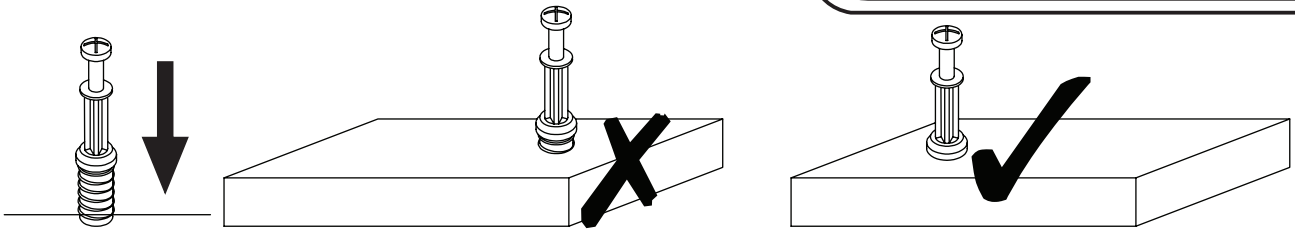


# INSTALLATION & ASSEMBLY

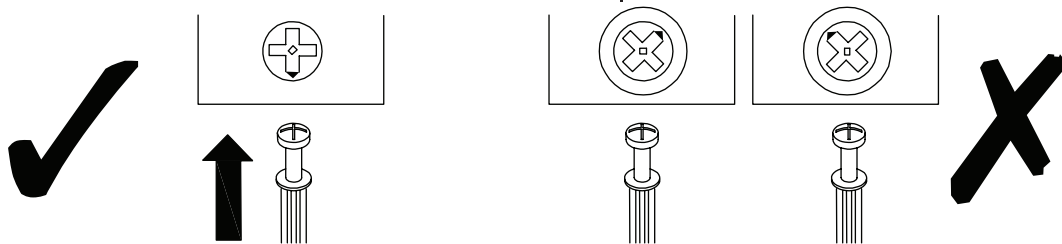


**EN\_IMPORTANT, RETAIN FOR FUTURE REFERENCE: READ CAREFULLY.**

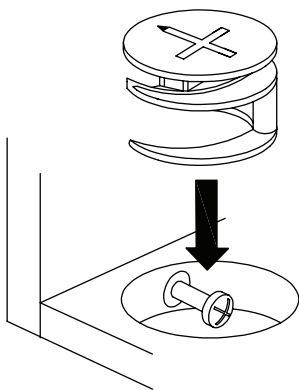
## USING CAM LOCK AND QUICKFIT



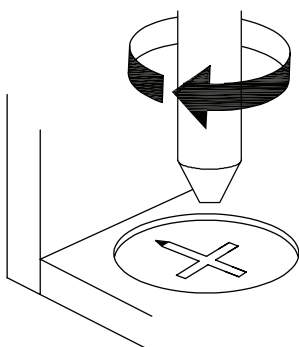
**EN\_QUICKFIT:** Tighten quickfit until shoulder is flush with panel. Do not overtighten or undertighten.



**EN\_CAM LOCK:** When fitting cam lock, ensure starting position is correct before you insert connecting quickfit.

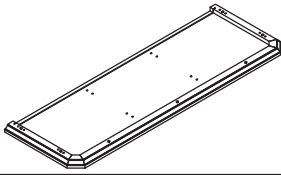
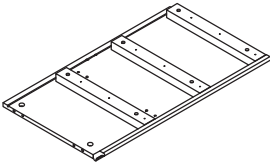
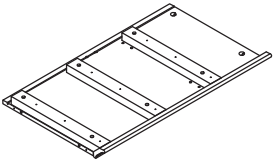
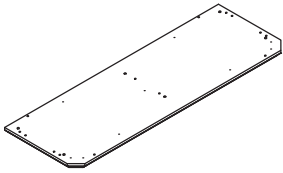
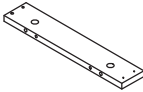
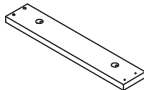
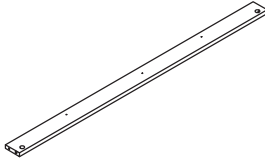
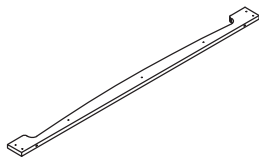

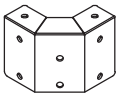


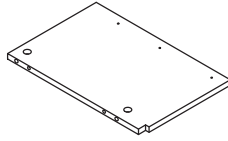
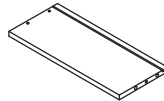
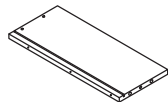
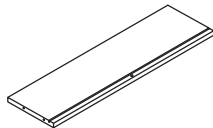
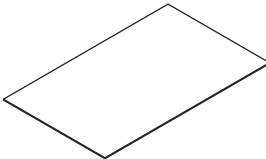
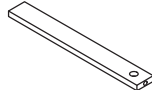
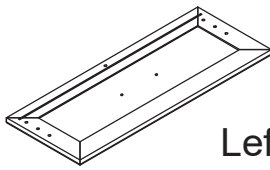
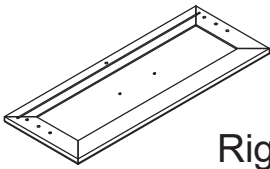
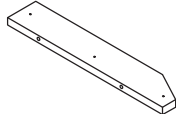
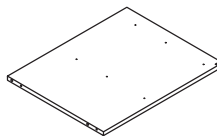
**EN\_Quickfit** head should be in the centre of the cam lock when the two panels are joined.  
Cam lock should be inserted before quickfit.

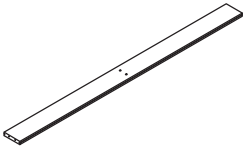
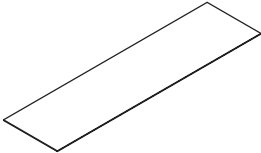
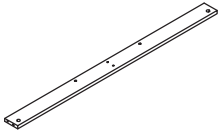
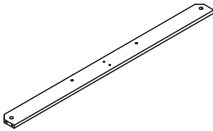
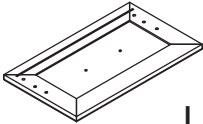
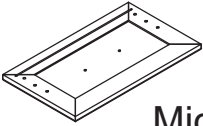
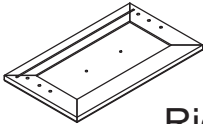


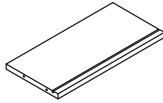
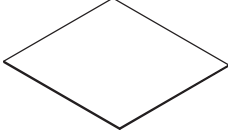

**EN\_Turn** cam lock clockwise to tighten.

**PACKING DELALS**

NO.	PARTS	QTY	SPARE
①		x1	
②		x1	
③		x1	
④		x1	
⑤		x1	
⑥		x1	
⑦		x1	
⑧		x1	
⑨		x2	
⑩		x2	

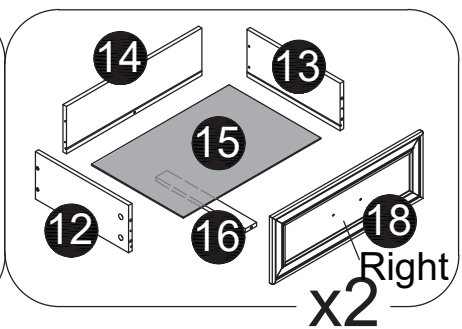
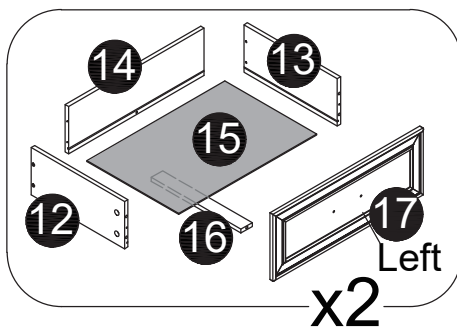
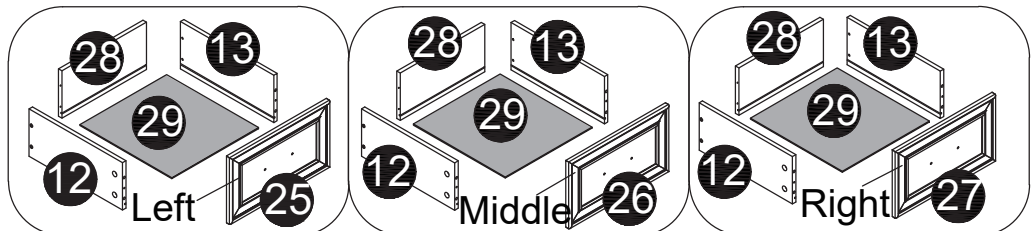
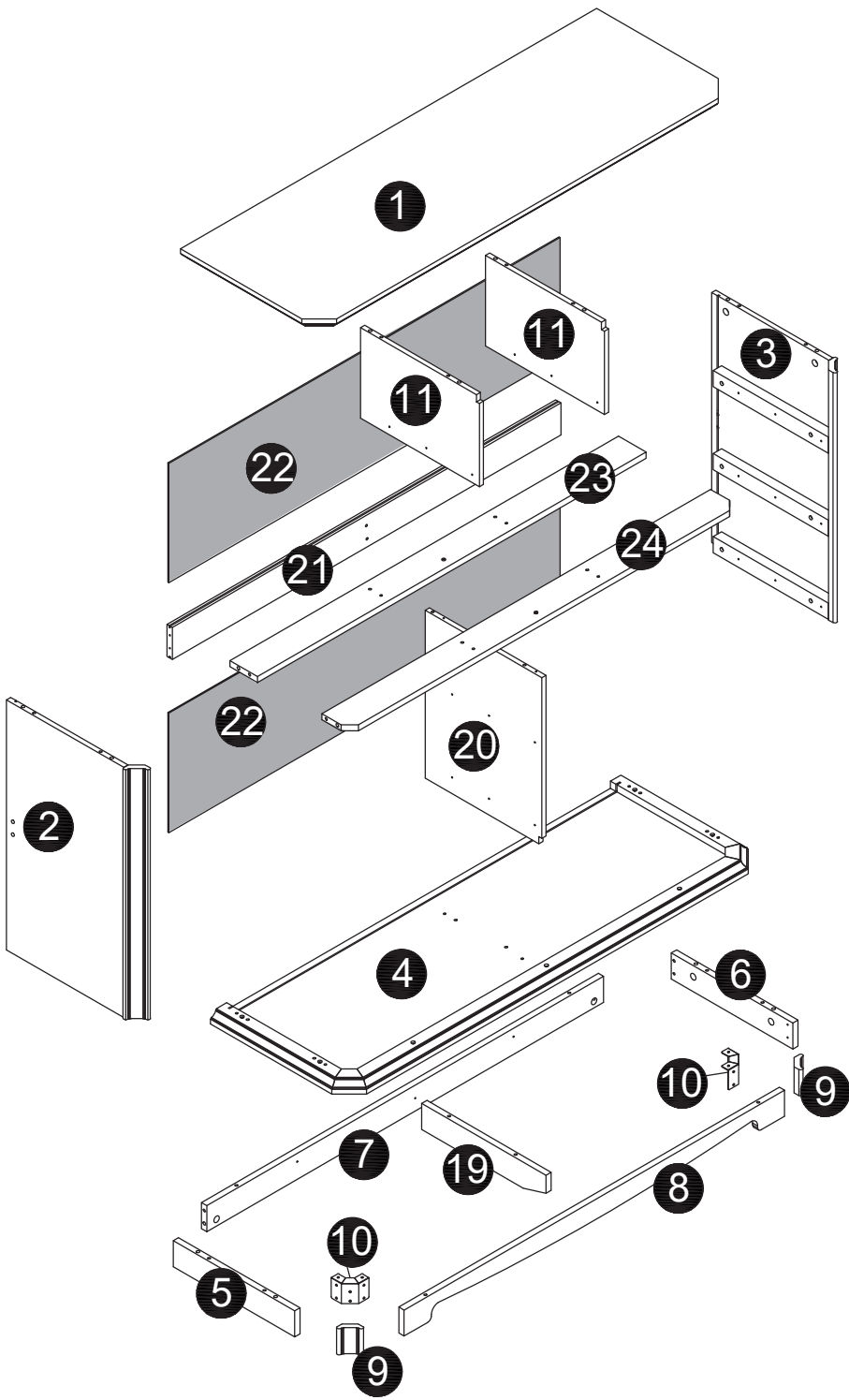
NO.	PARTS	QTY	SPARE
⑪		x2	
⑫		x7	
⑬		x7	
⑭		x4	
⑮		x4	
⑯		x4	
⑰	 Left	x2	
⑱	 Right	x2	
⑲		x1	
⑳		x1	

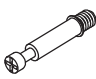


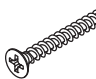



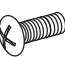


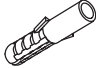






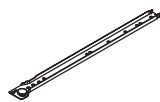
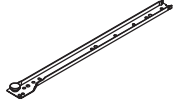
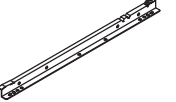
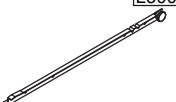
NO.	PARTS	QTY	SPARE
21		x1	
22		x2	
23		x1	
24		x1	
25	 Left	x1	
26	 Middle	x1	
27	 Right	x1	

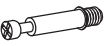



NO.	PARTS	QTY	SPARE
28		x3	
29		x3	
	 Hardware Kit		

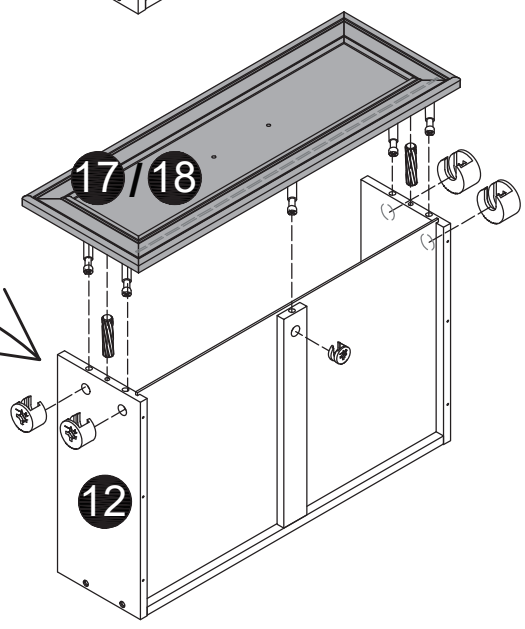
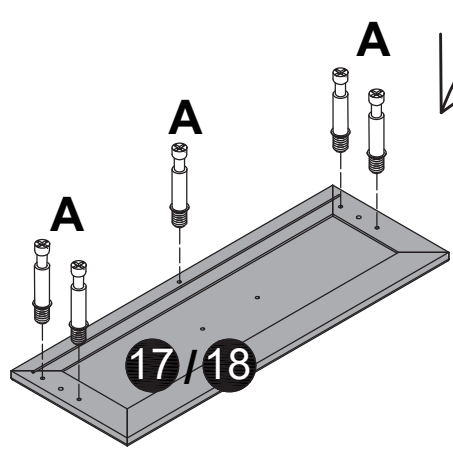
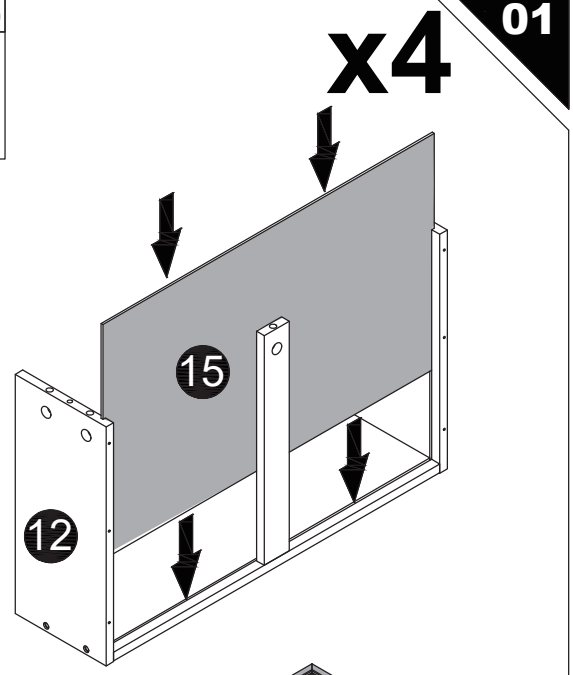
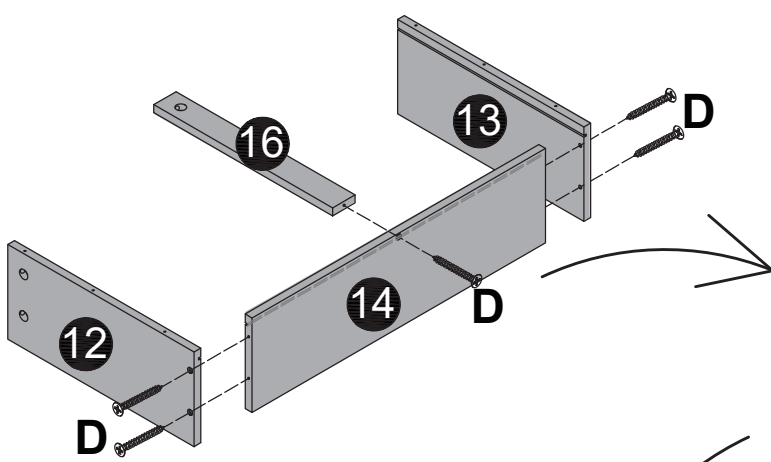


**Note: When removing the product packaging box, please place the removed packaging accessories and foam plate beside the installation, and do not throw them away. We will use a 25mm thick foam plate to pad the floor when installing later! thank you.**

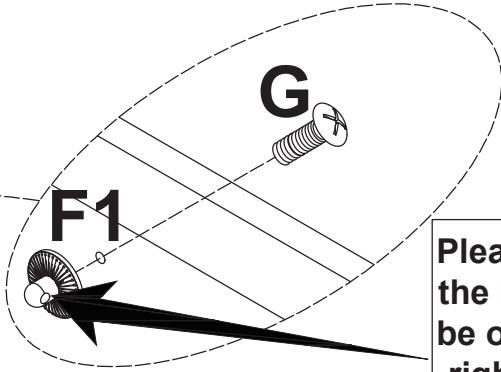
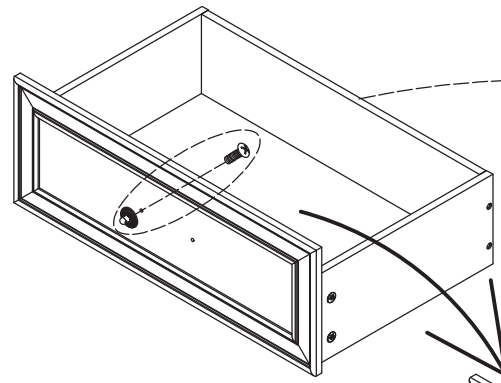
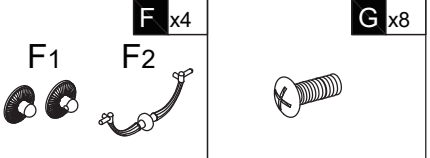


 <b>A</b> x50 Ø6x35mm +3(spare)	 <b>B</b> x50 Ø15x10mm +3(spare)	 <b>C</b> x50 Ø6x30mm +3(spare)	 <b>D</b> x42 Ø4x35mm +3(spare)	 <b>E</b> x98 +6(spare)	 <b>F1</b>	 <b>F2</b>
 <b>G</b> x14	 <b>H1</b>	 <b>H2</b>	 <b>I</b> x2 Ø6x30mm	 <b>J</b> x18 Ø4x14mm +2(spare)	 <b>K</b> x4 Ø5x50mm	 <b>L</b> x4 Ø15mm
 <b>M</b> x6 Ø5x40mm	 <b>N</b> x7	 <b>O</b> x2	 <b>CL</b> x7 L300mm	 <b>CR</b> x7 L300mm	 <b>DL</b> x7 L300mm	
 <b>DR</b> x7 L300mm						

 <b>A</b> x20	 <b>B</b> x20	 <b>C</b> x8	 <b>D</b> x20
---	--	--	---

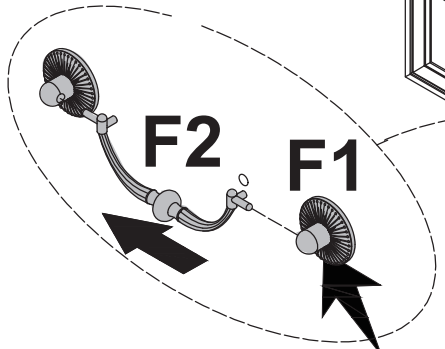


x4

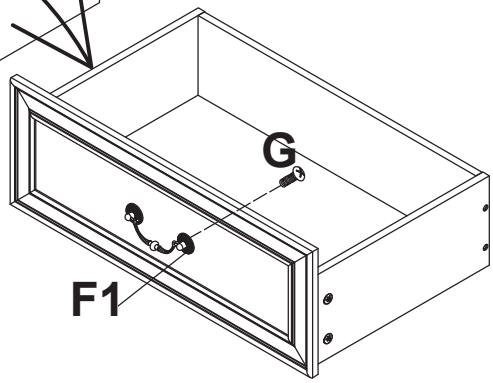
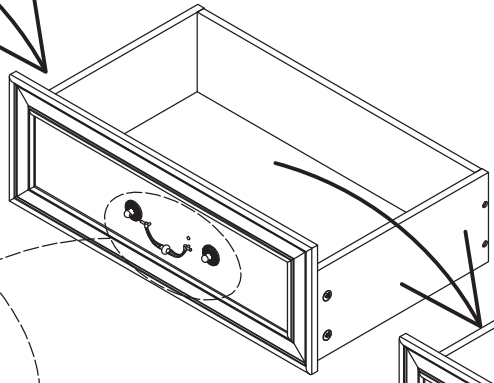


**!**

Please note that the F1 hole should be oriented to the right.

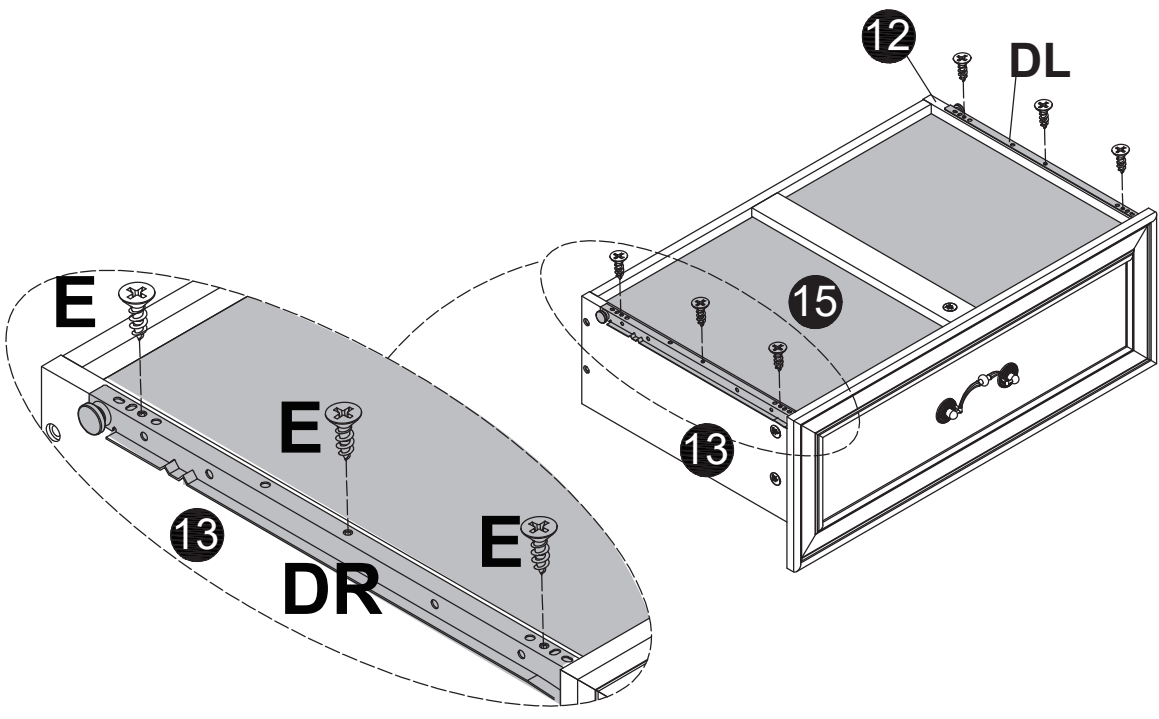
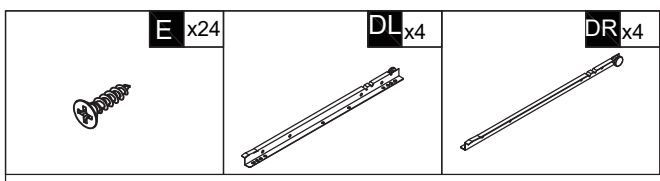


F1 with holes to the left



F1

x4



E

E

E

13

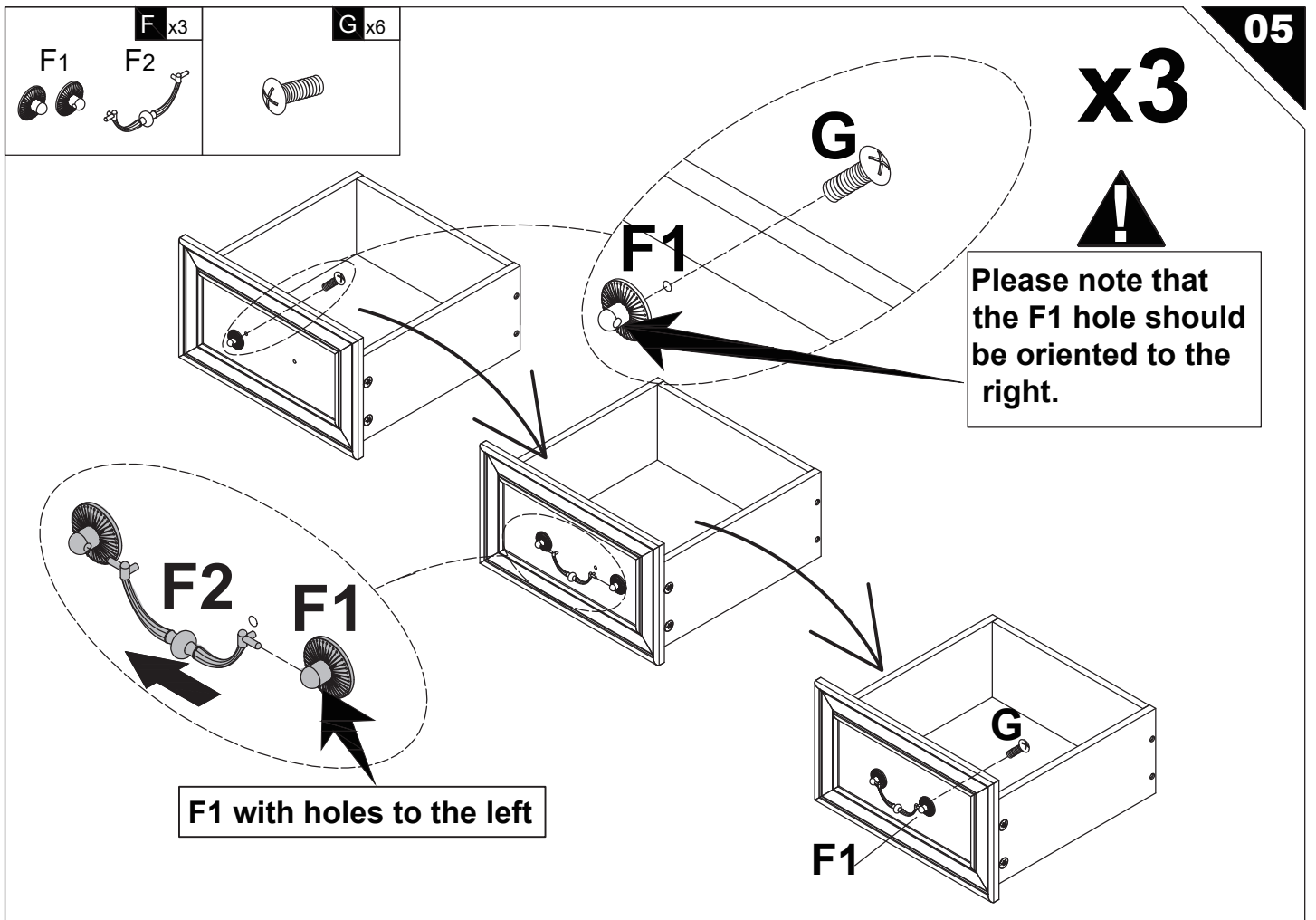
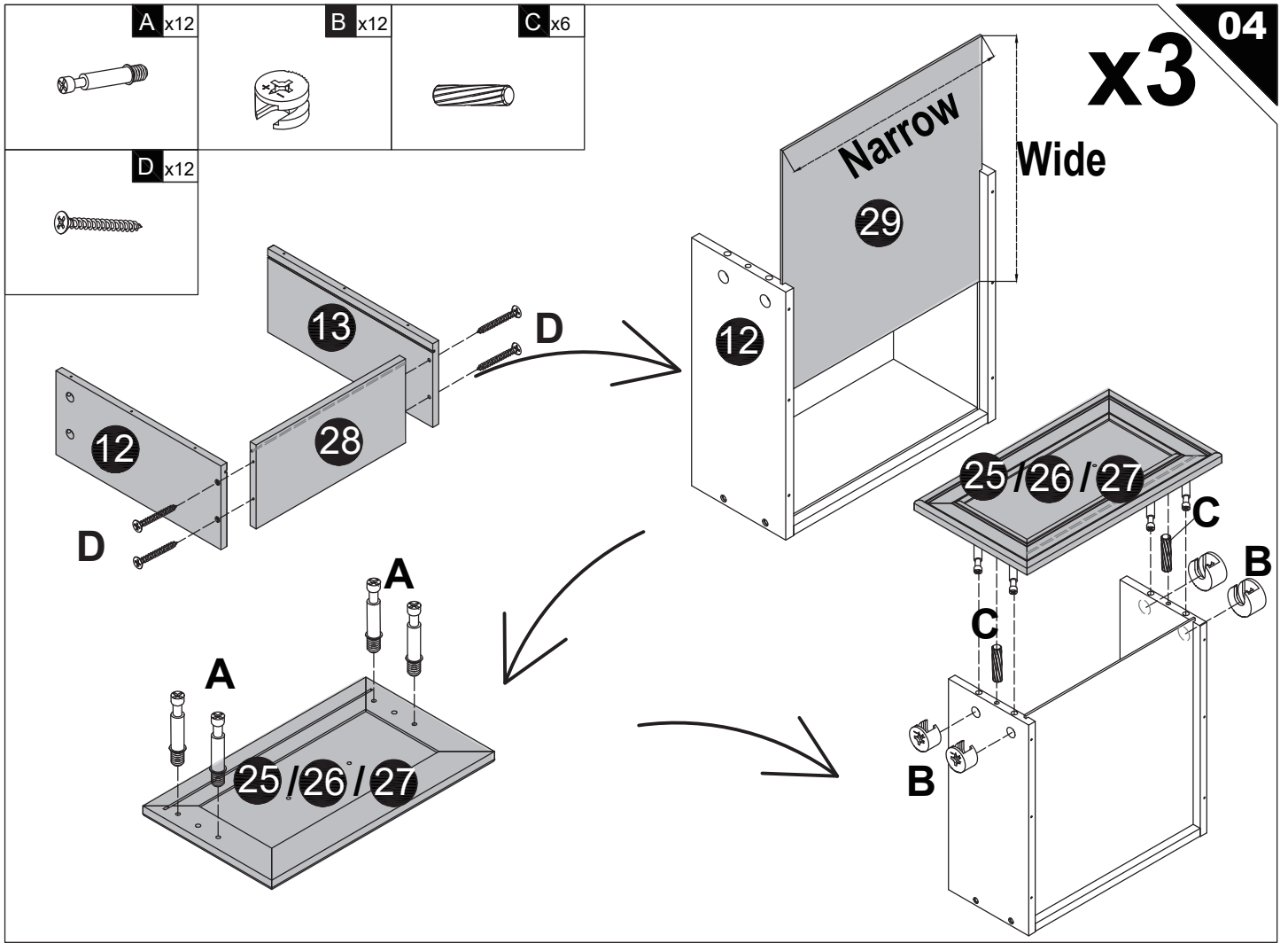
DR

12

DL

15

13



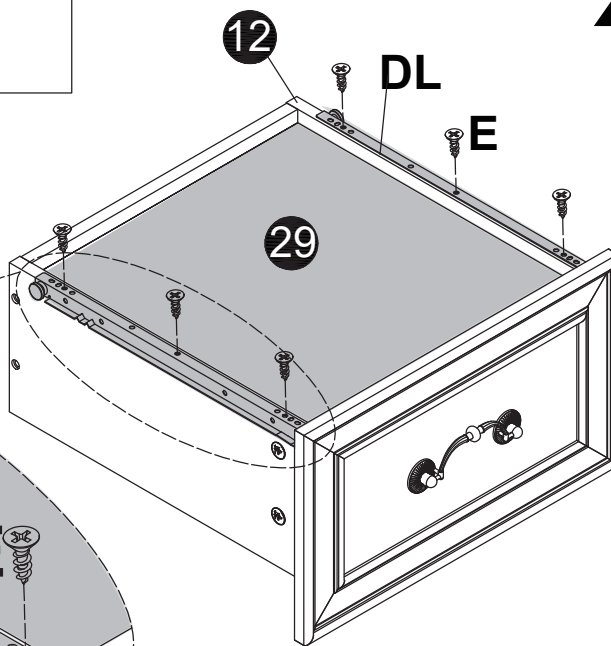
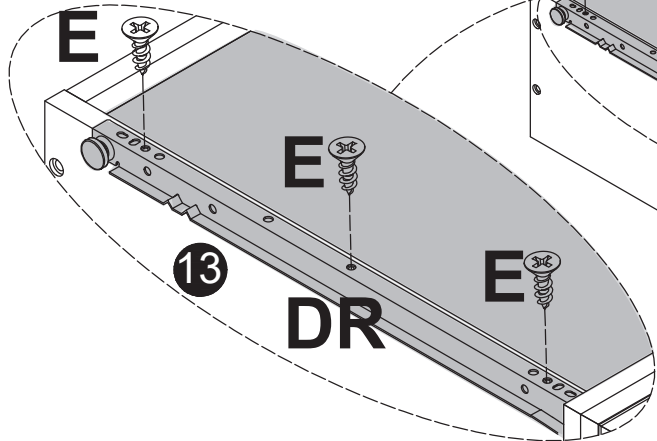
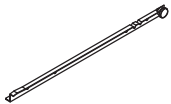
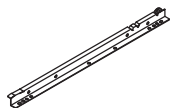
E x18

DL x3

DR x3

x3

06

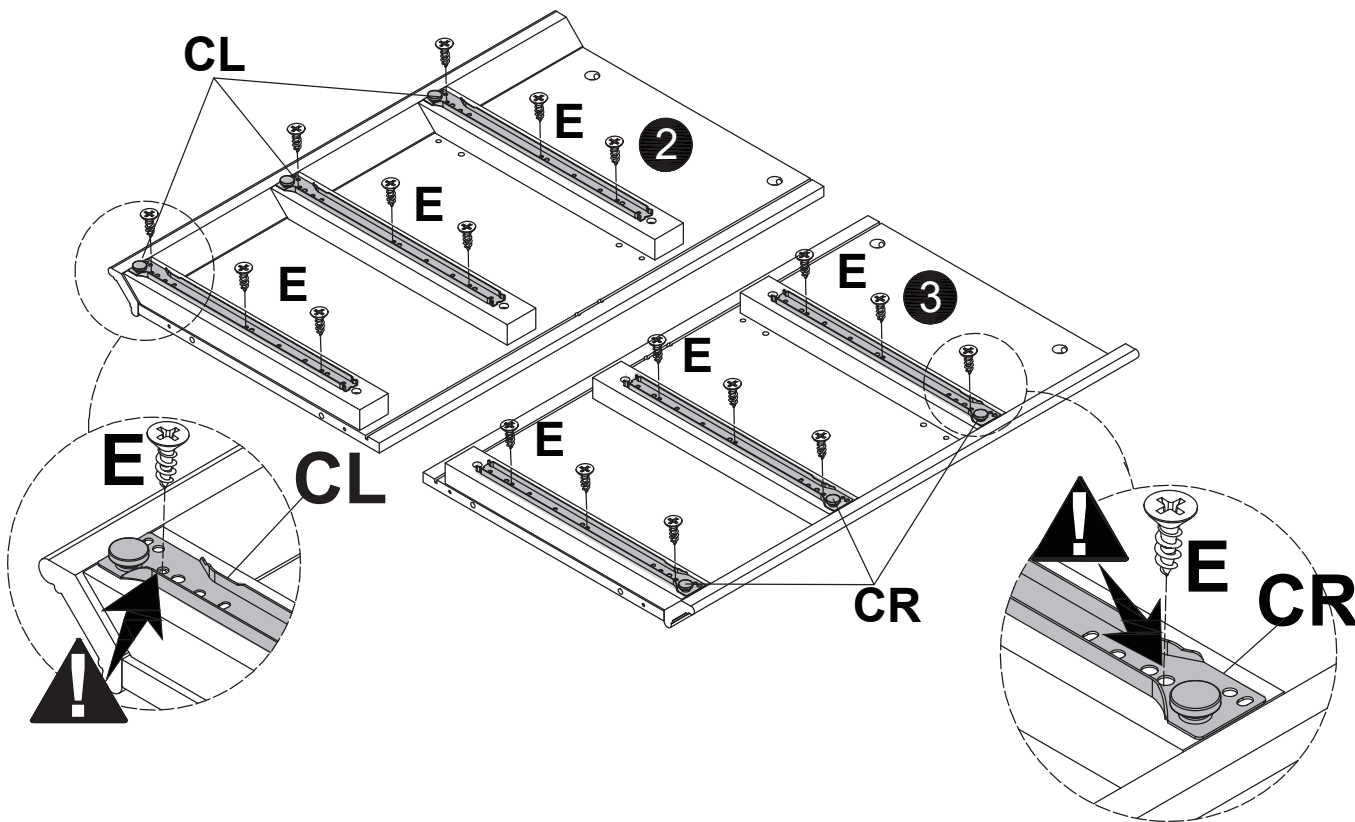
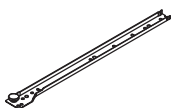
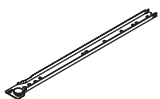


E x18

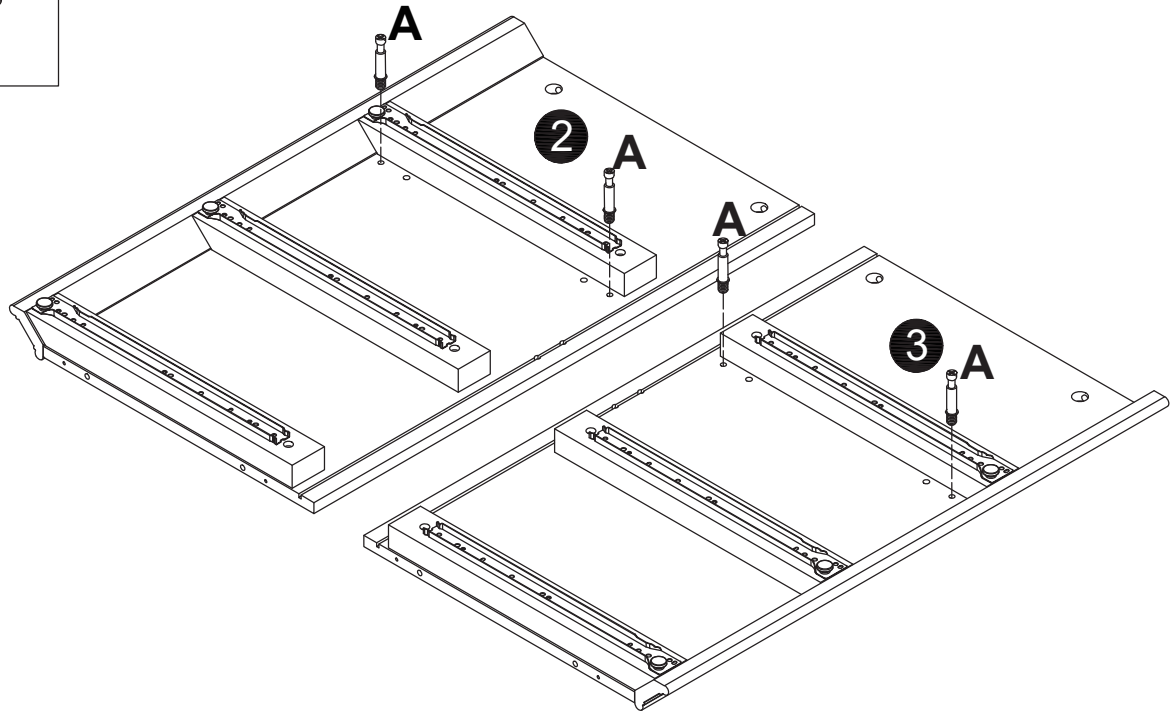
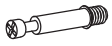
CL x3

CR x3

07



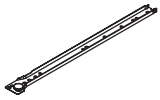
A x4



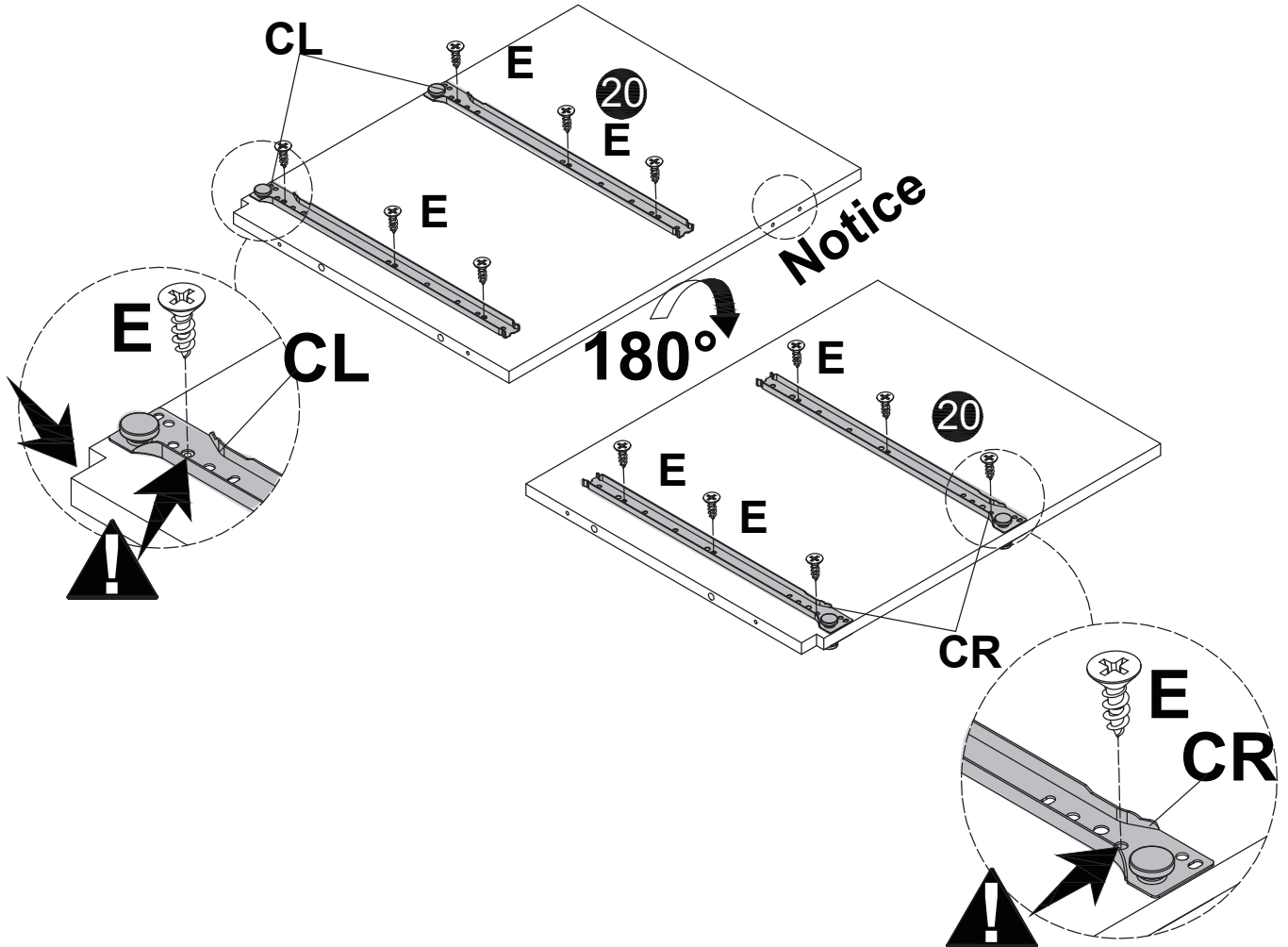
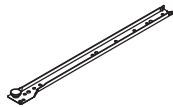
E x12

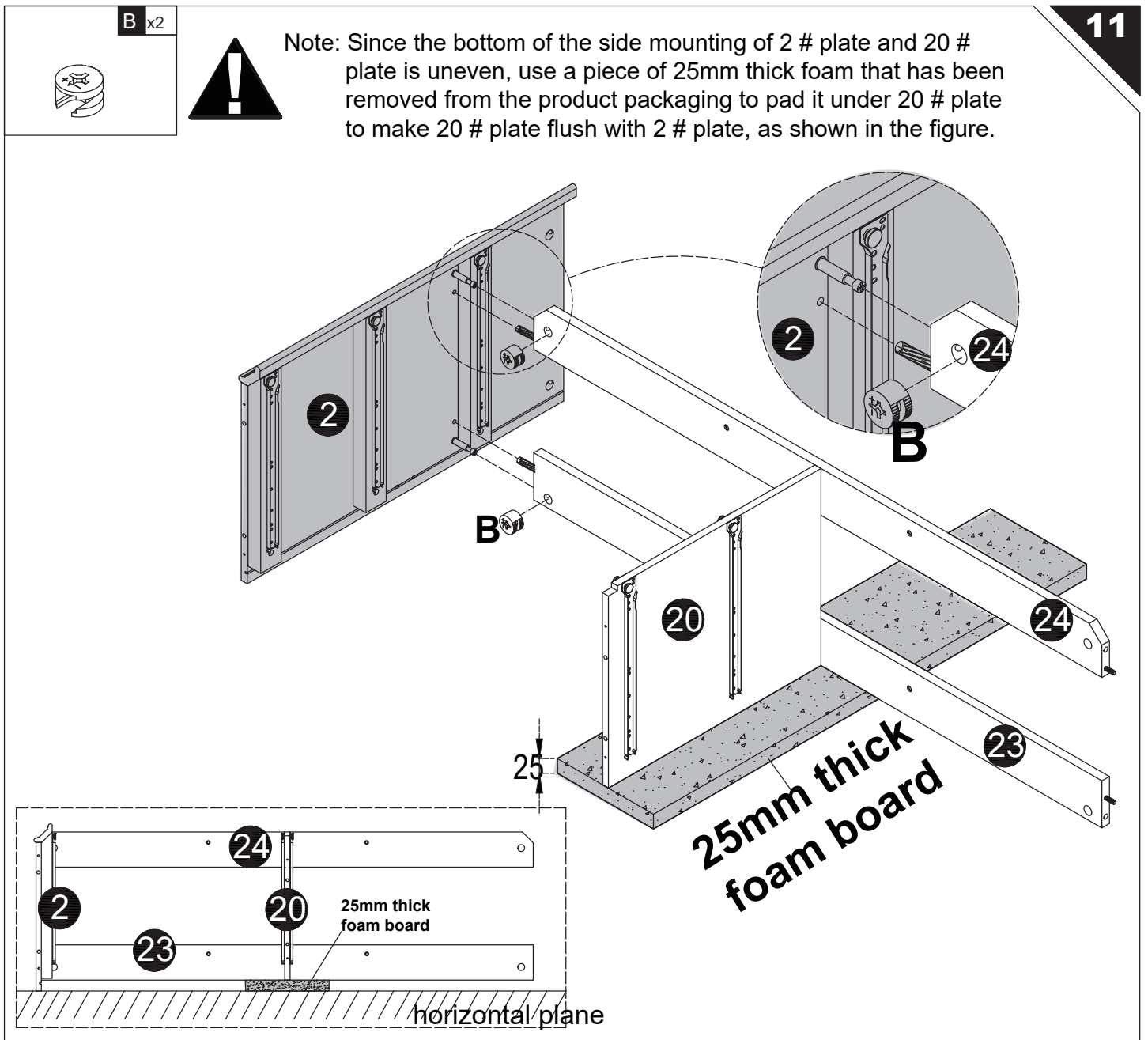
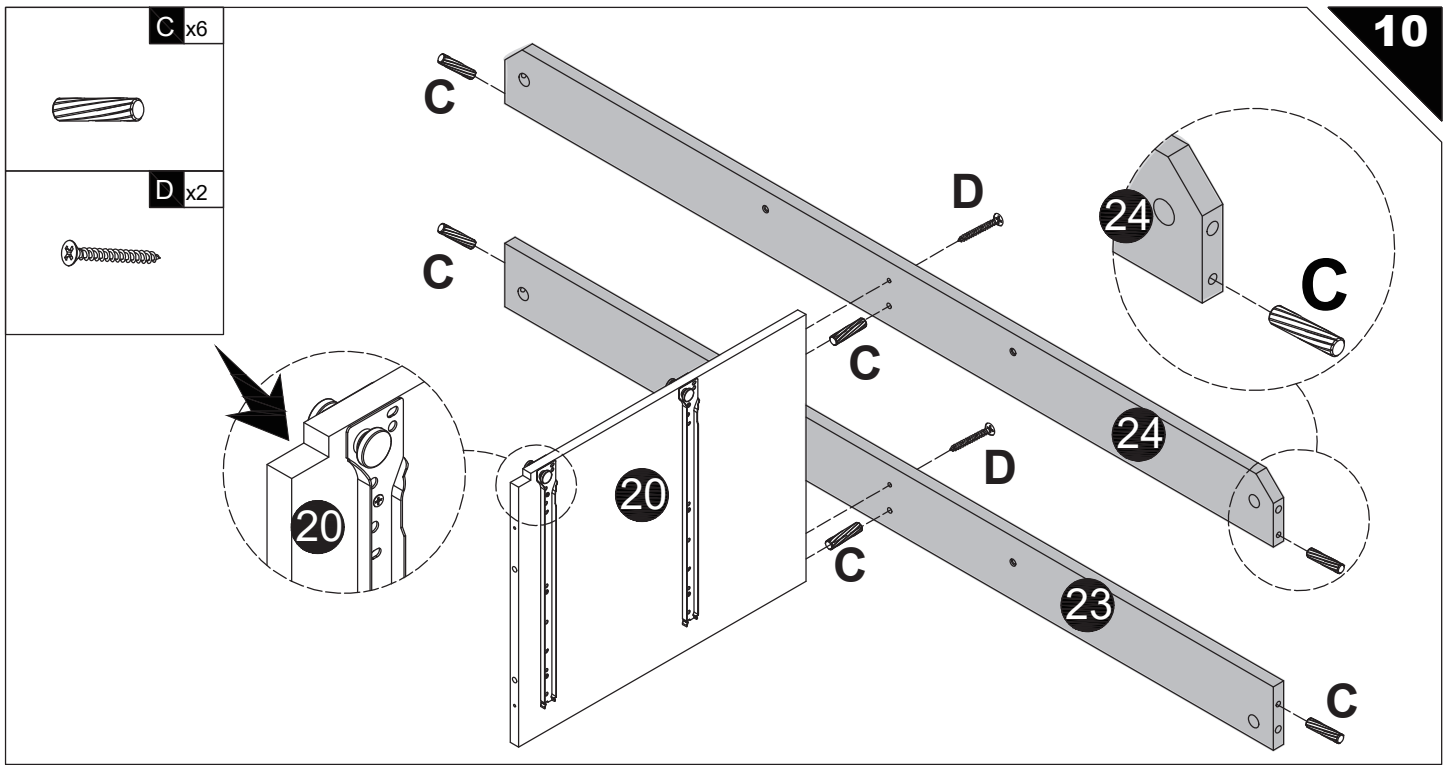


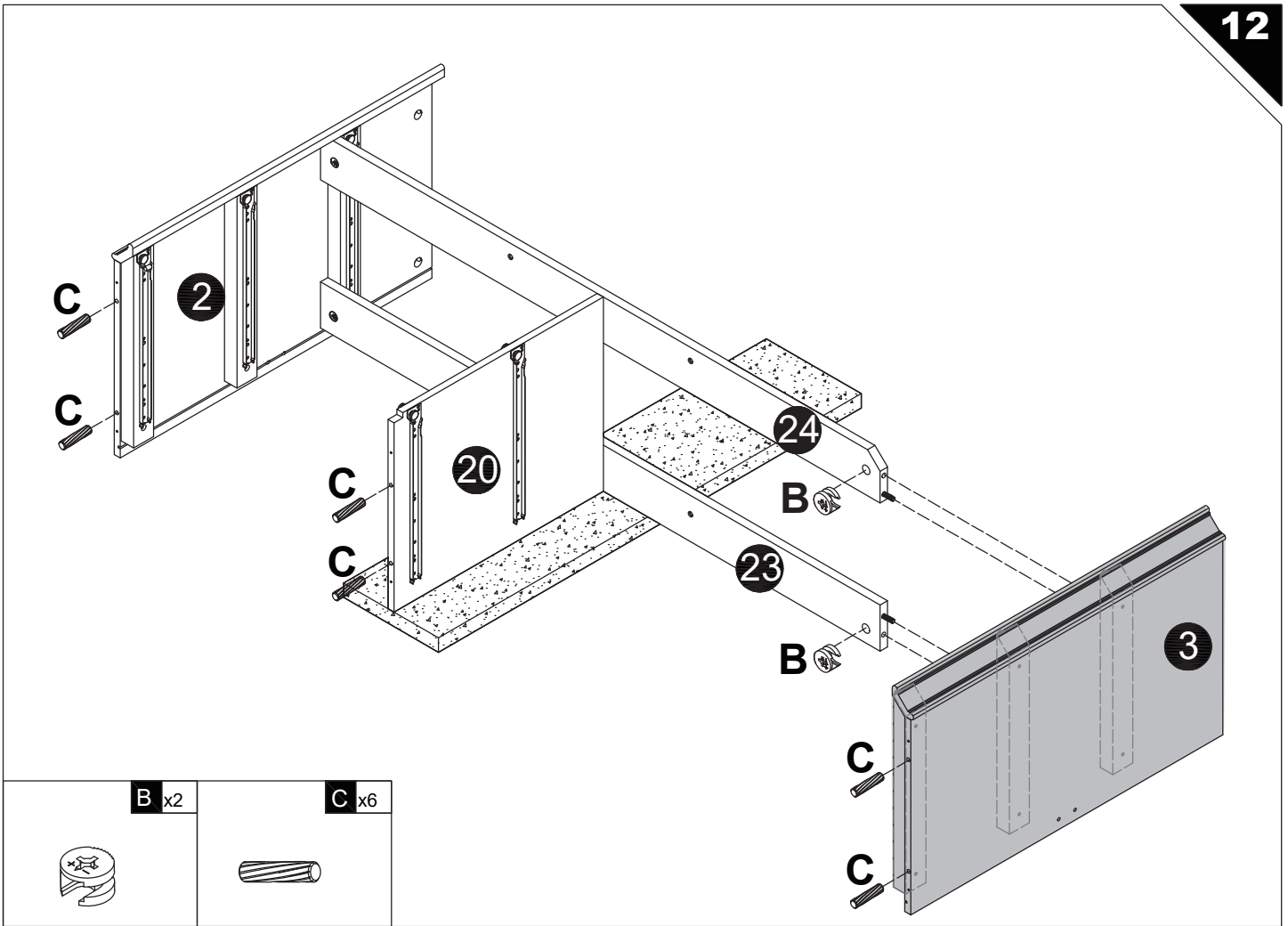
CL x2



CR x2

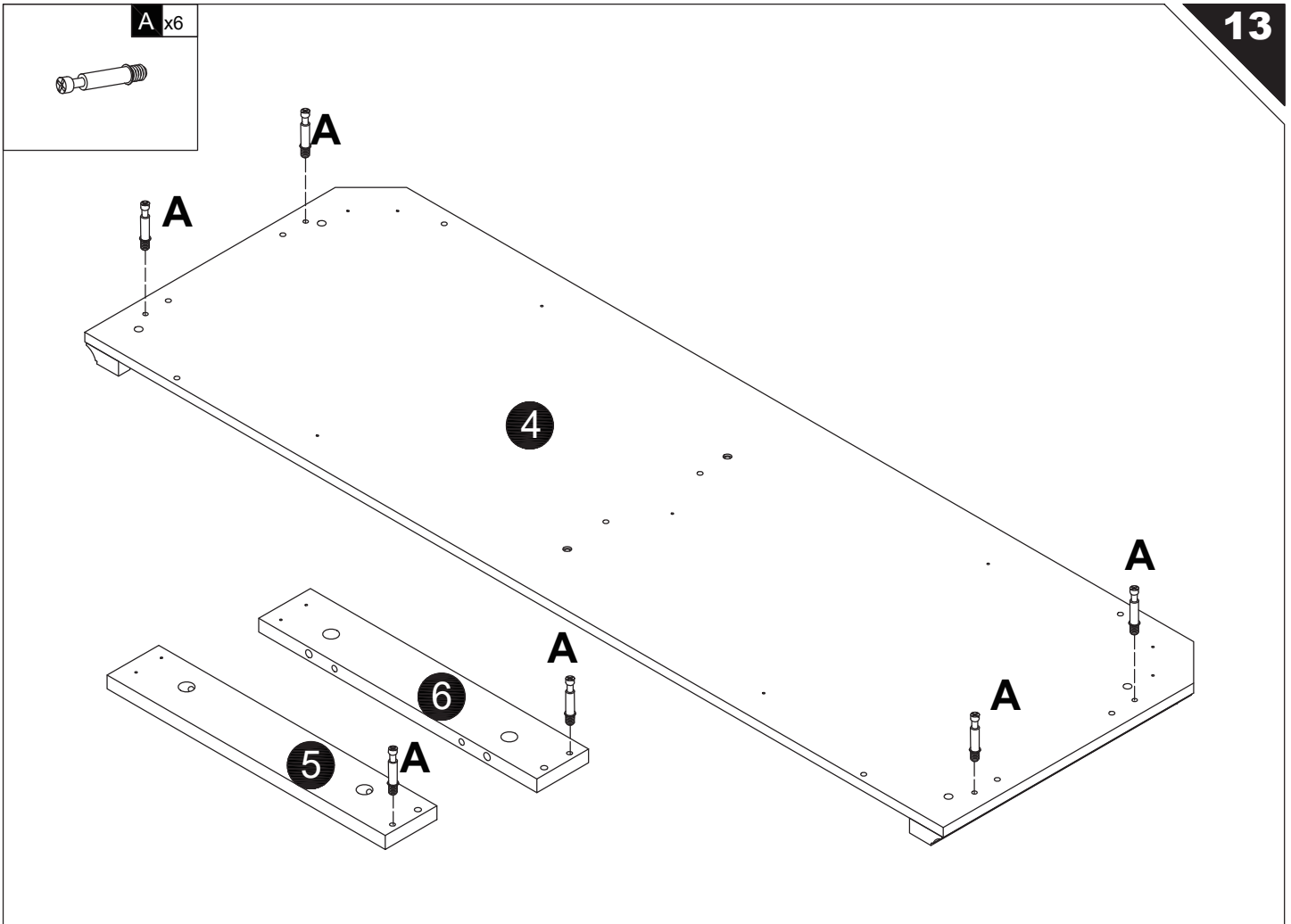




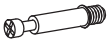


B x2

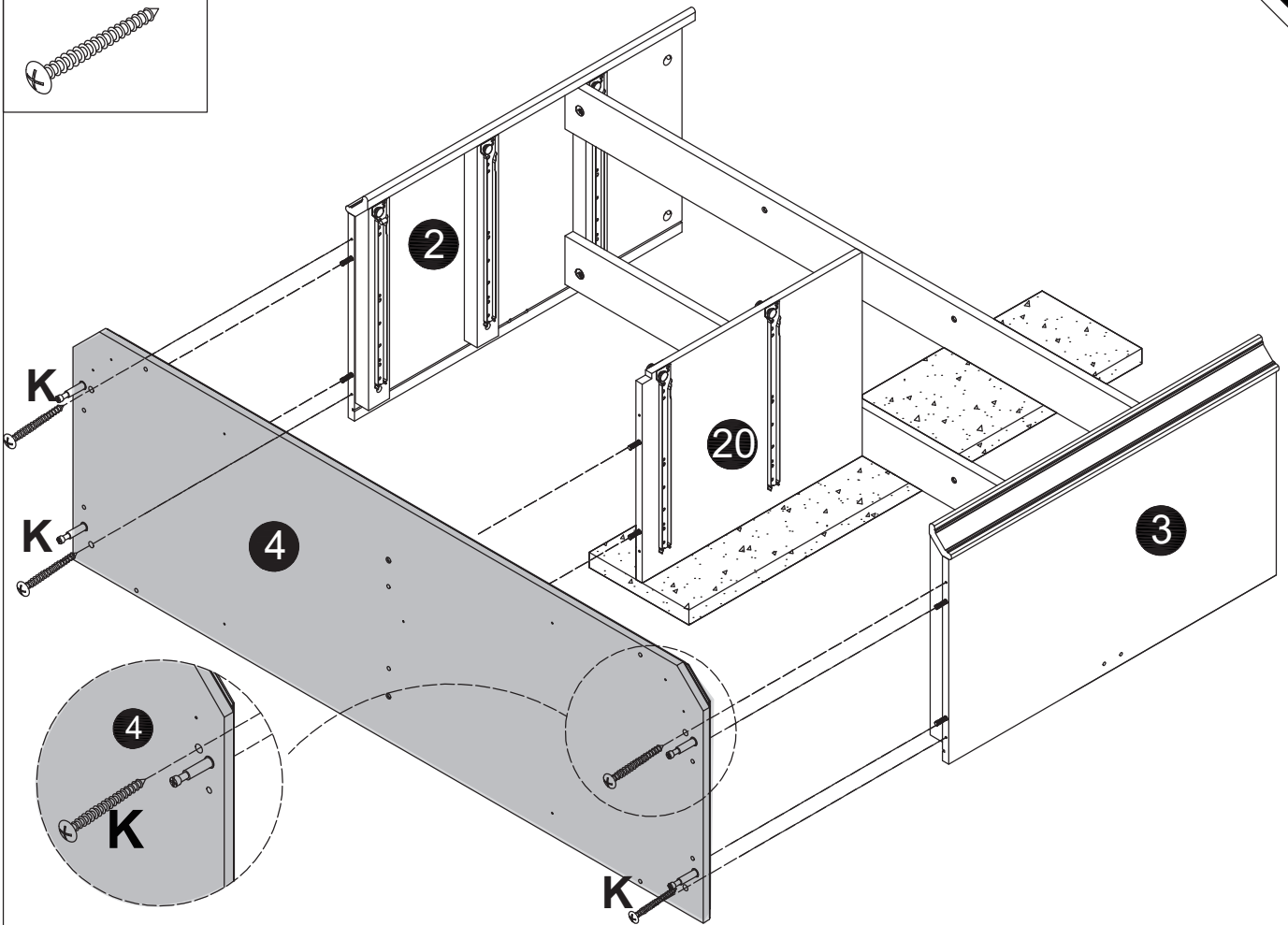
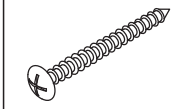
C x6



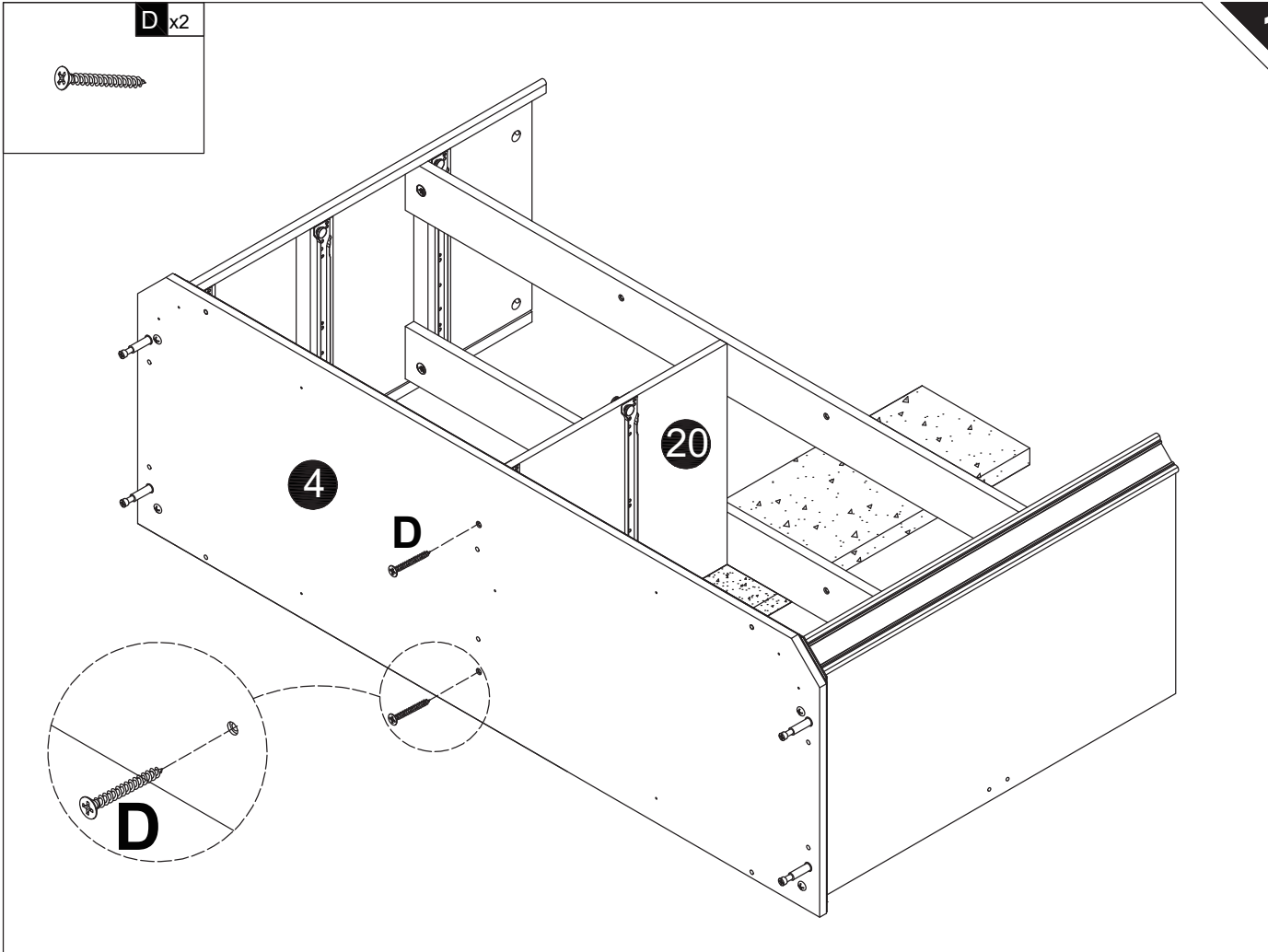
A x6



K x4



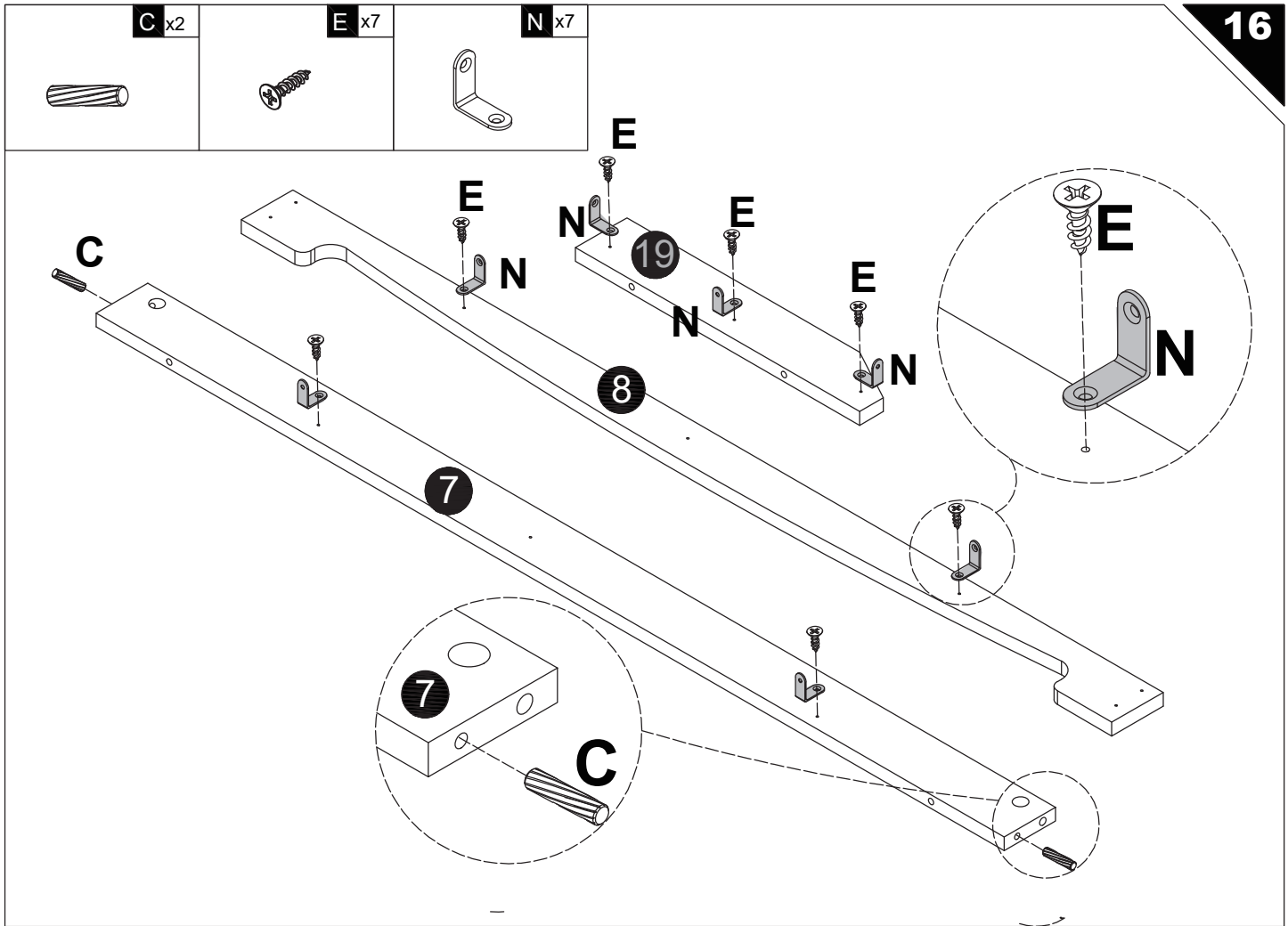
D x2



C x2

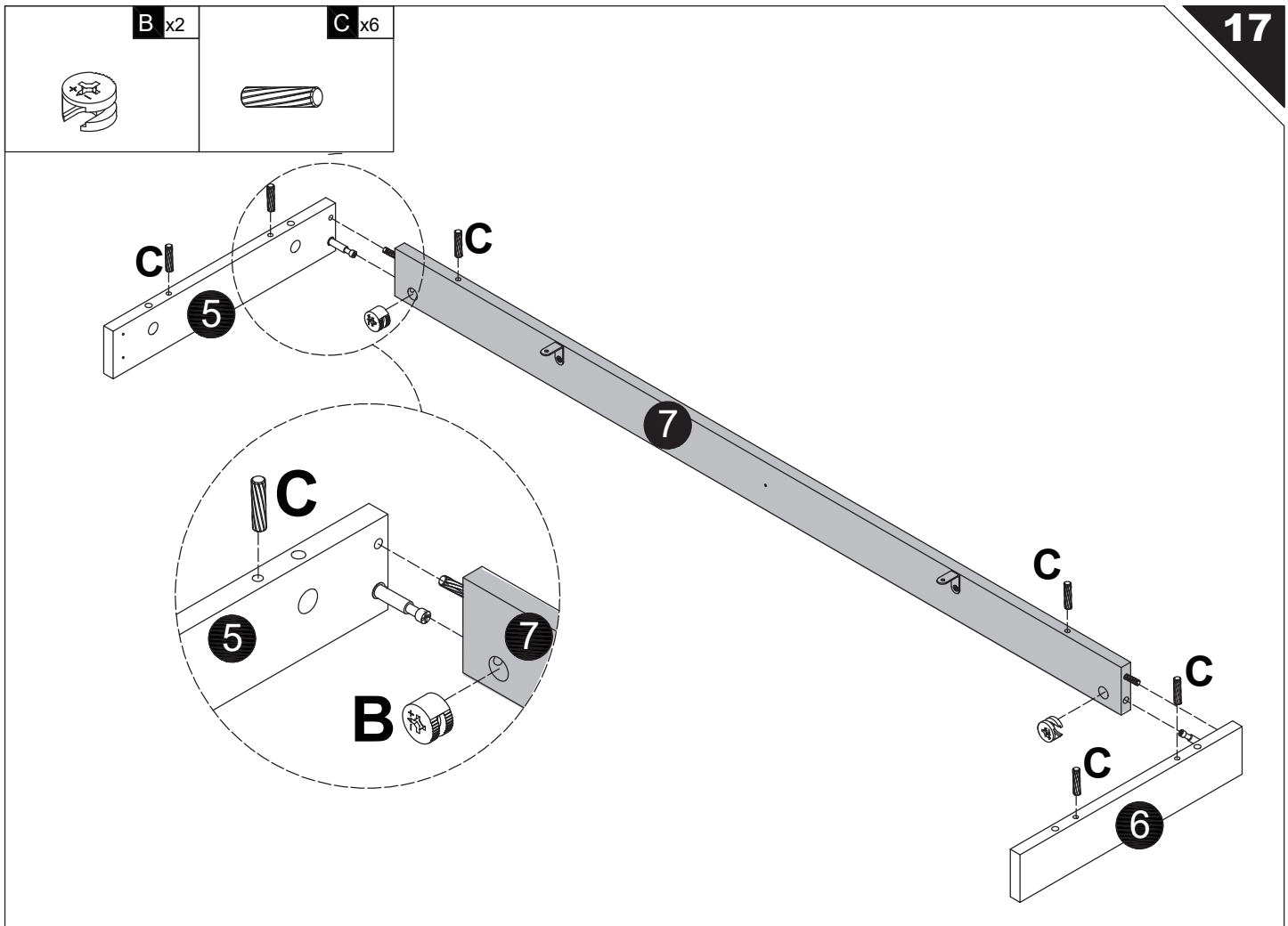
E x7

N x7

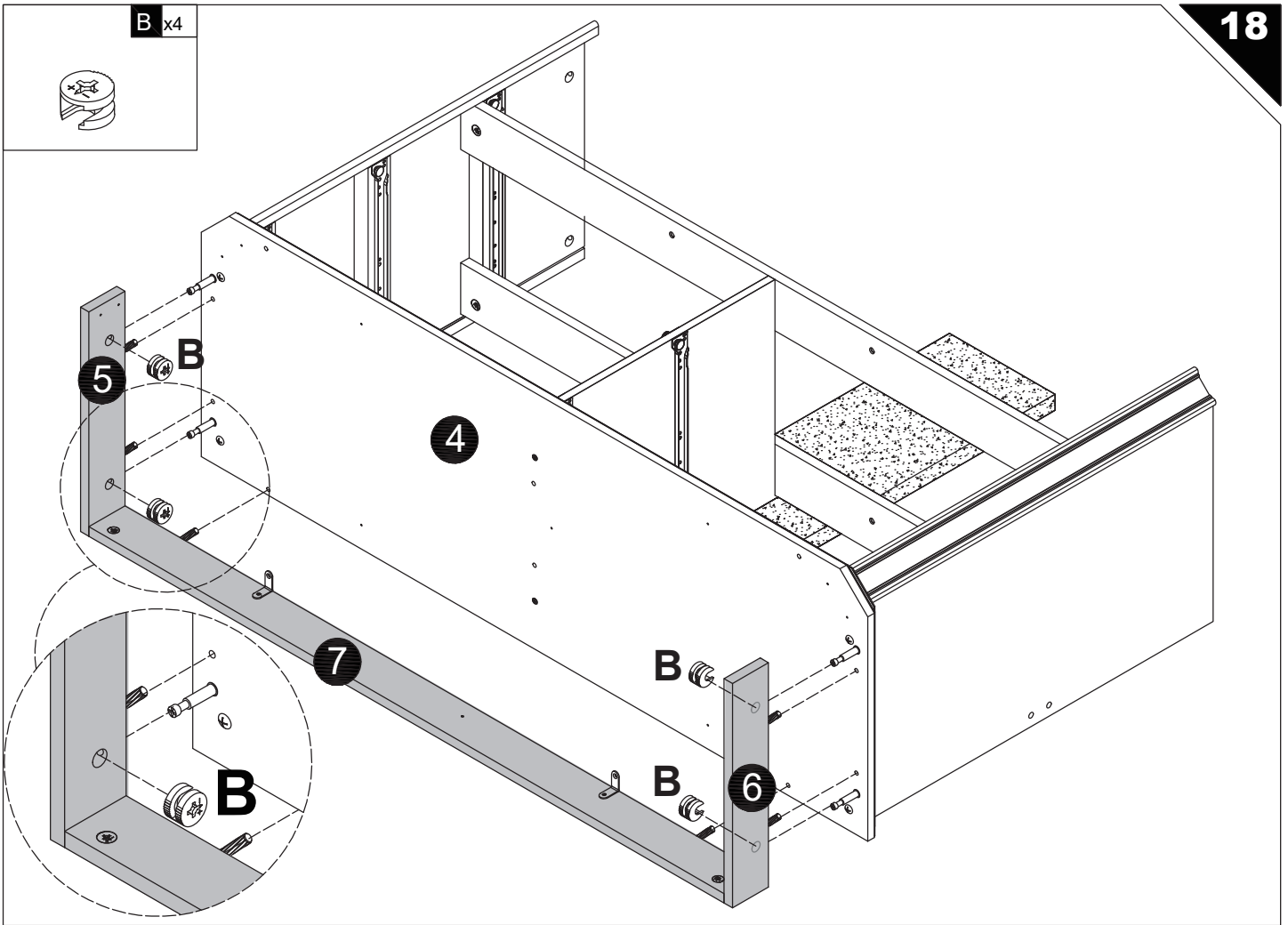


B x2

C x6

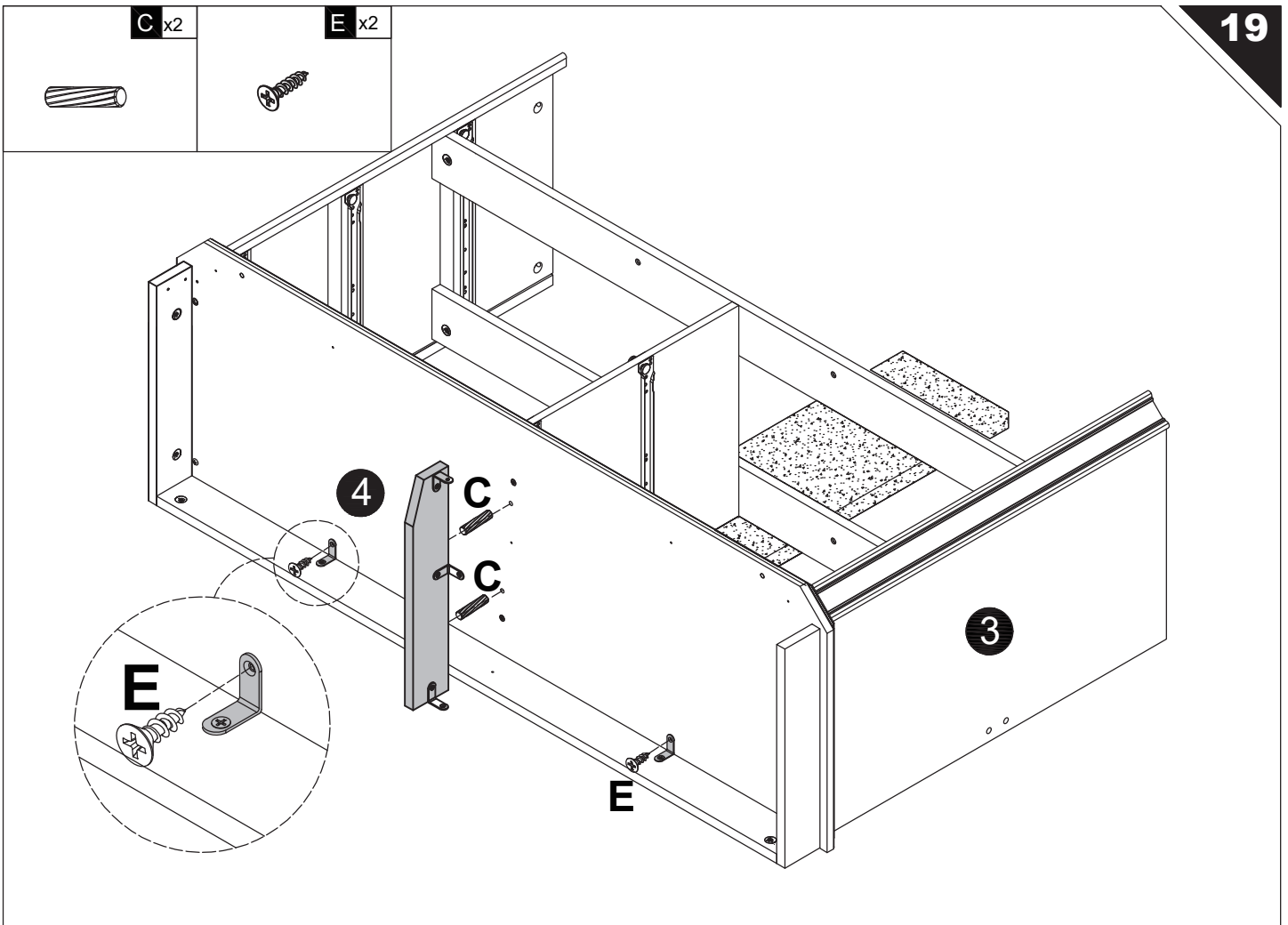


B x4



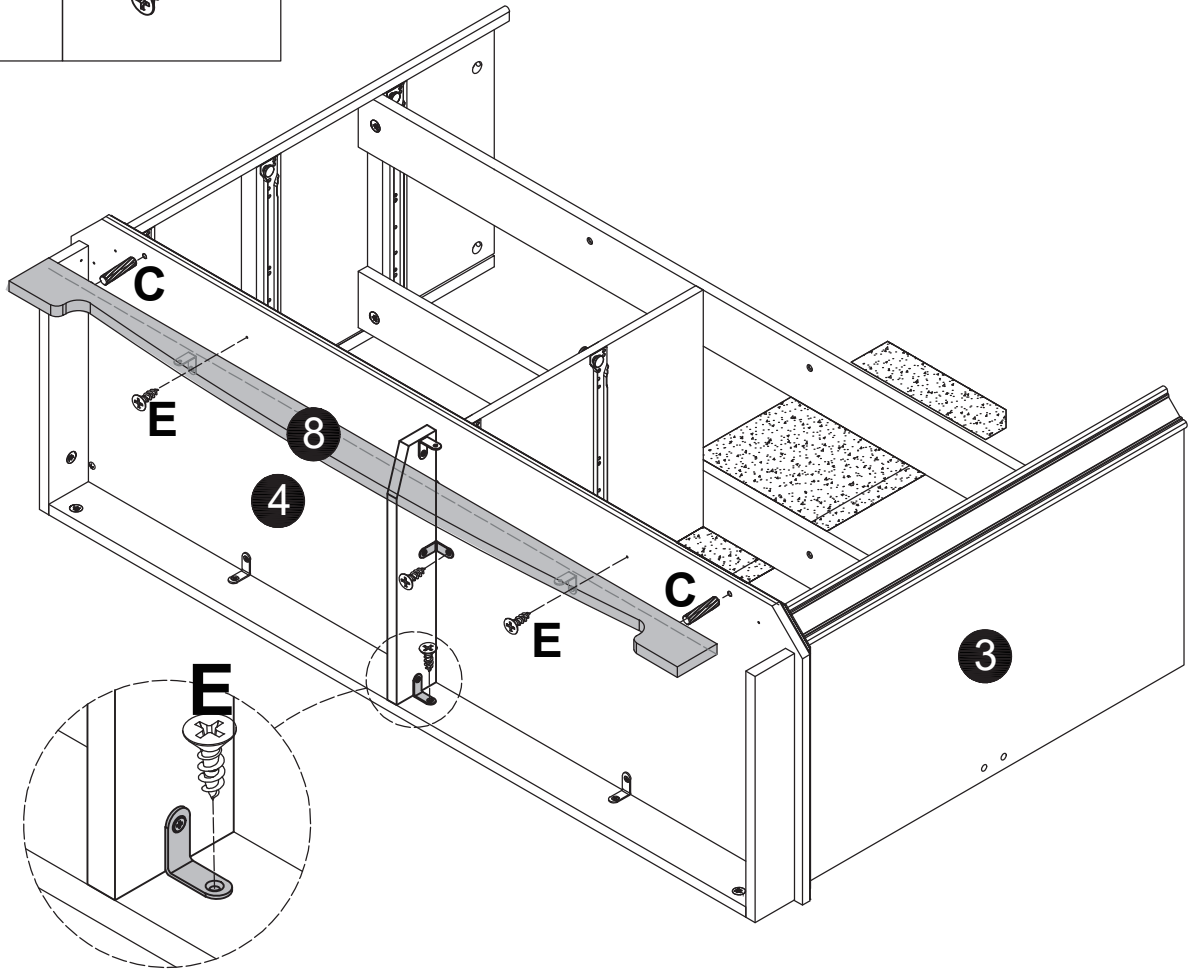
C x2

E x2



C x2

E x4

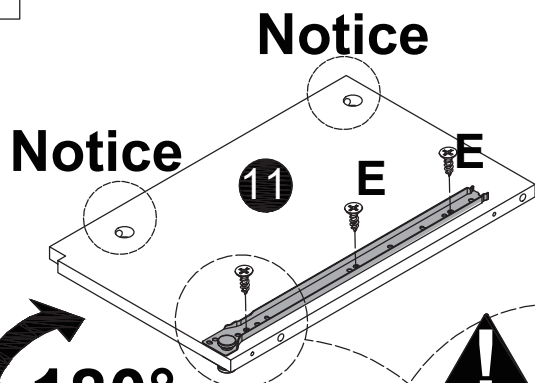
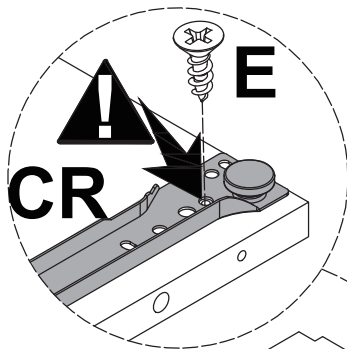
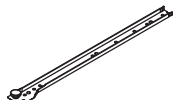
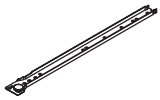


E x12

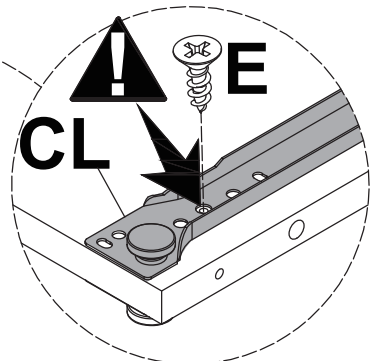
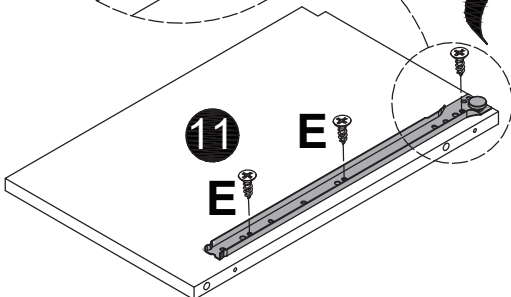
CL x2

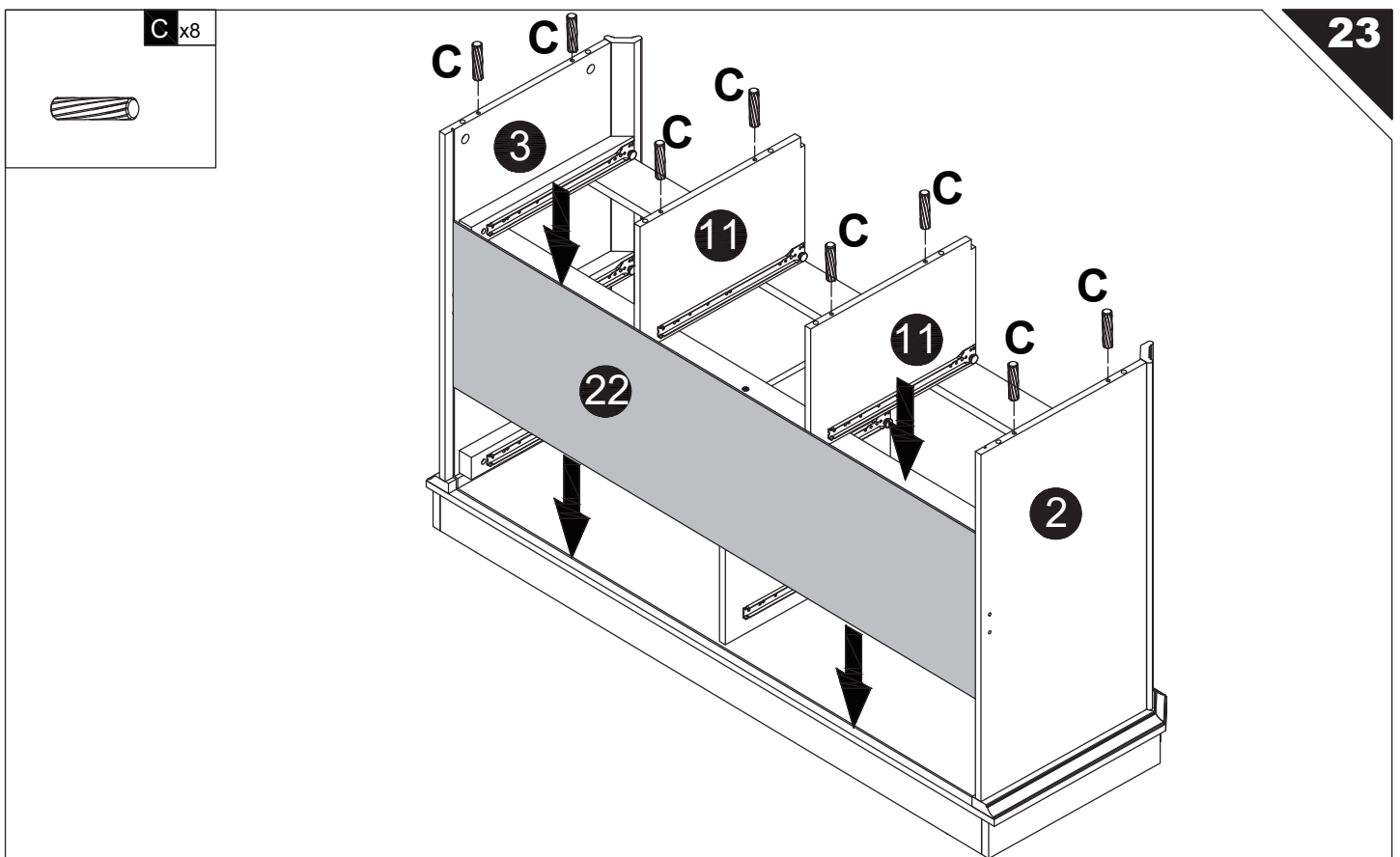
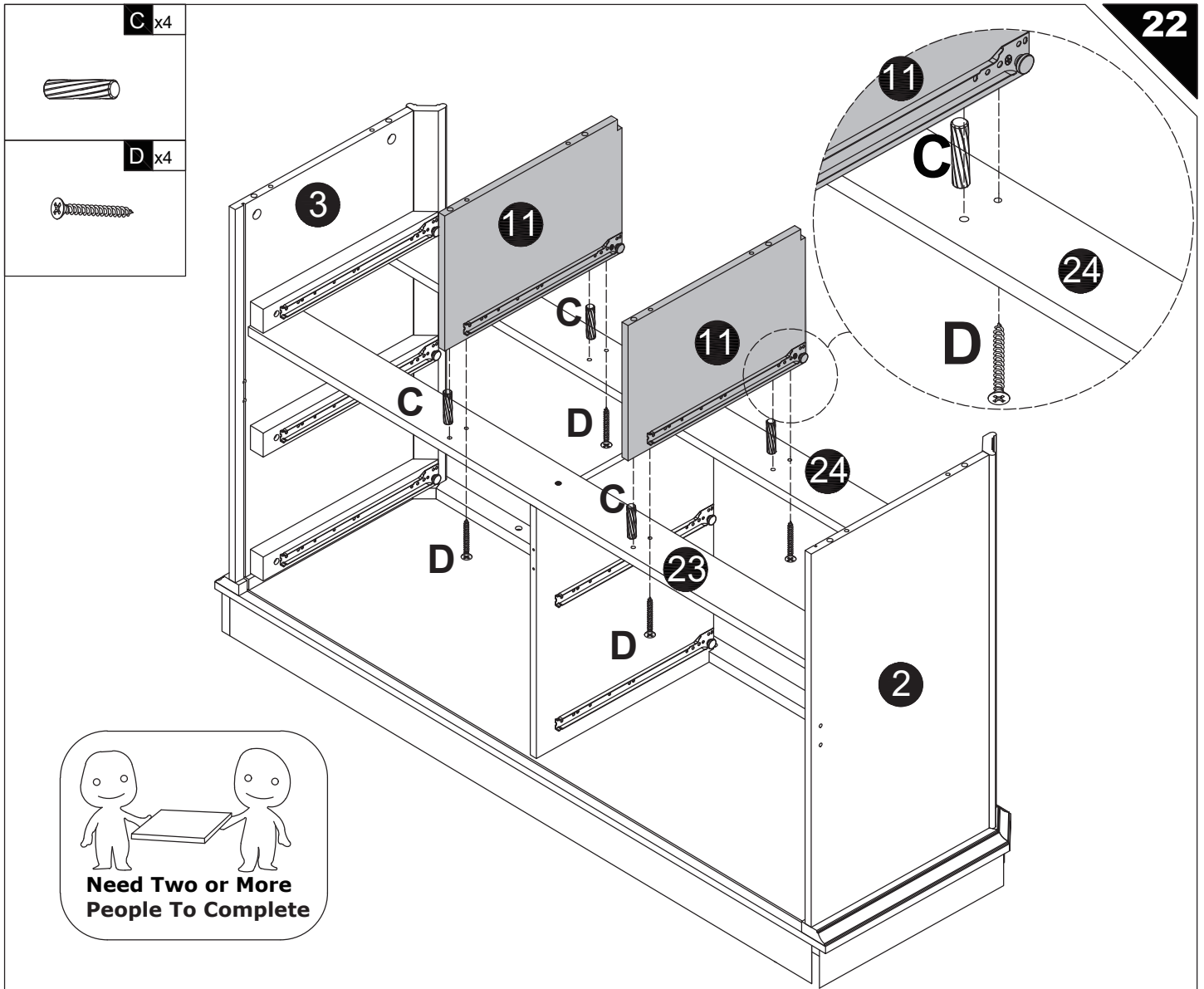
CR x2

x2

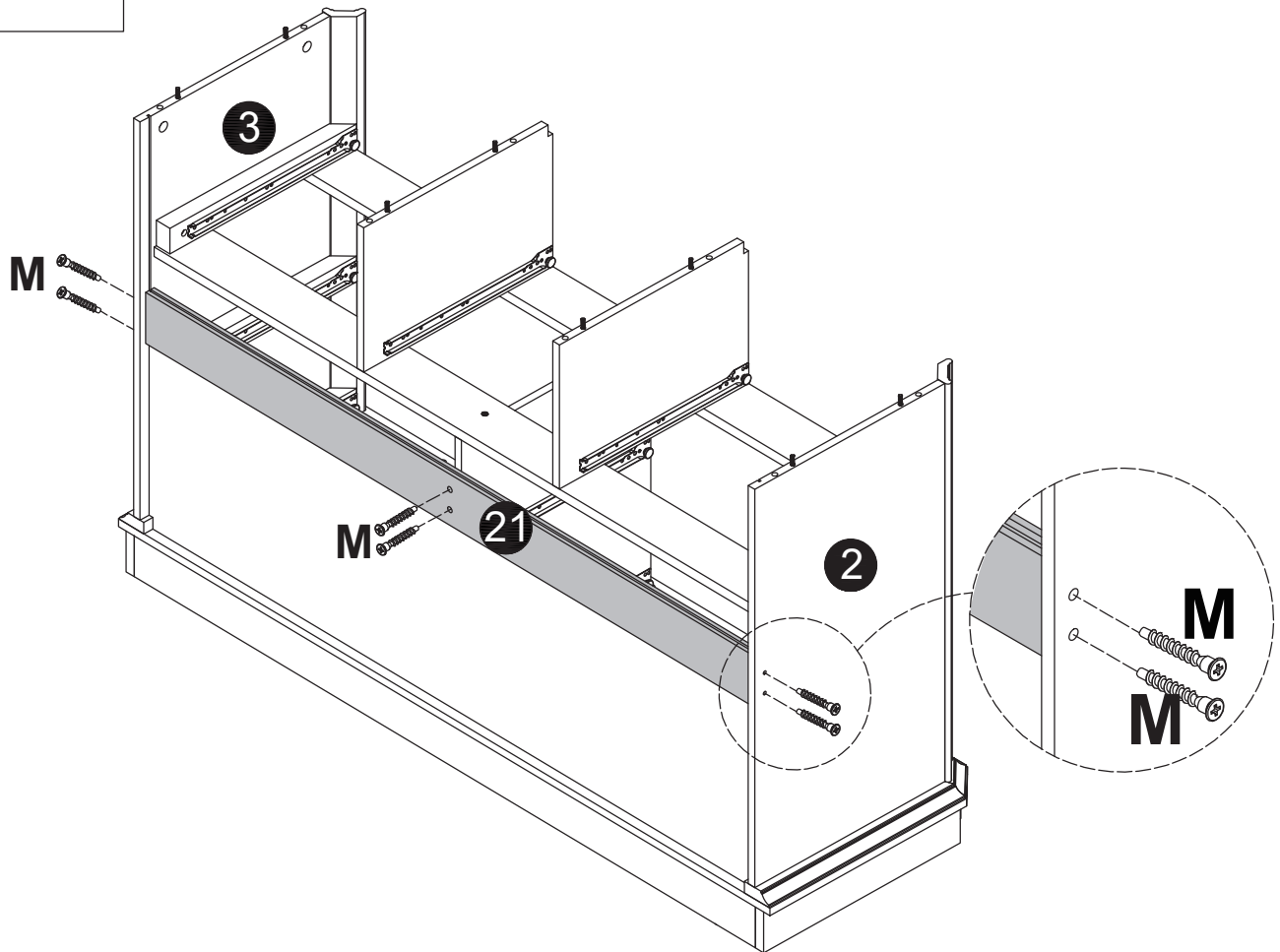


180°

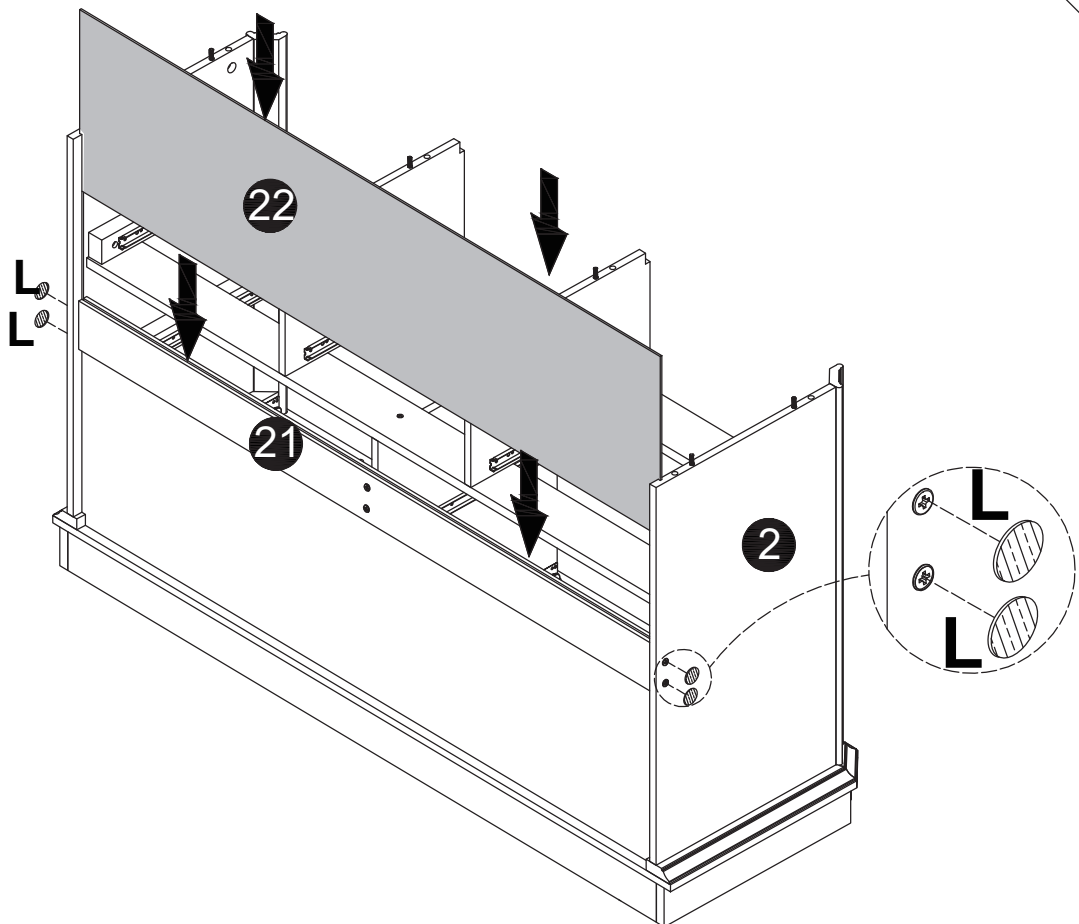




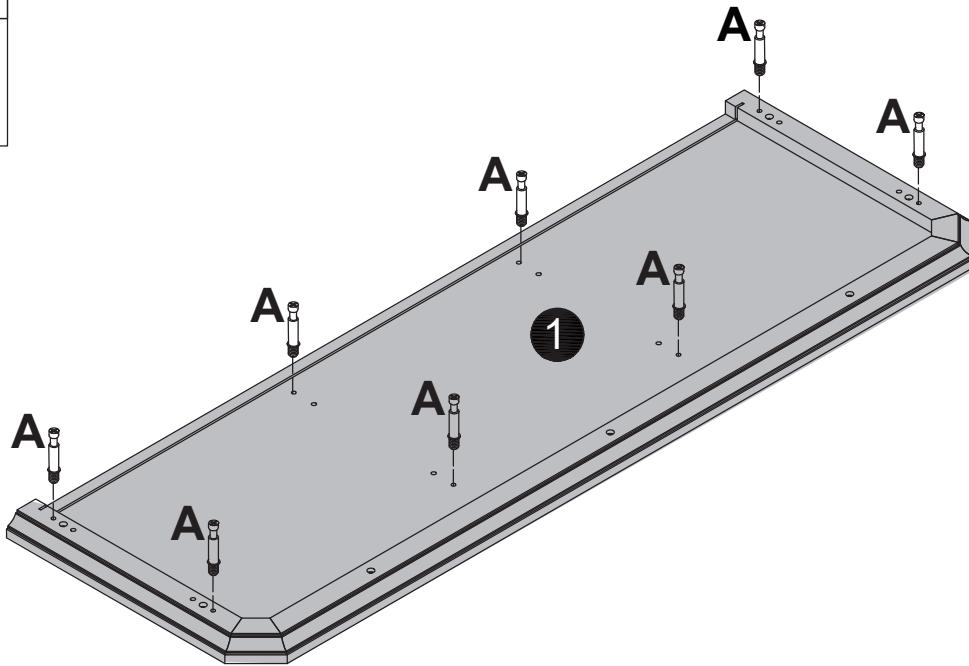
M x6



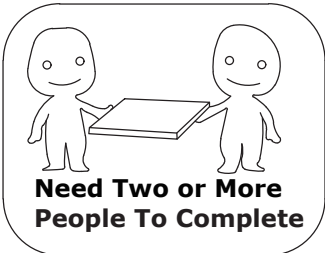
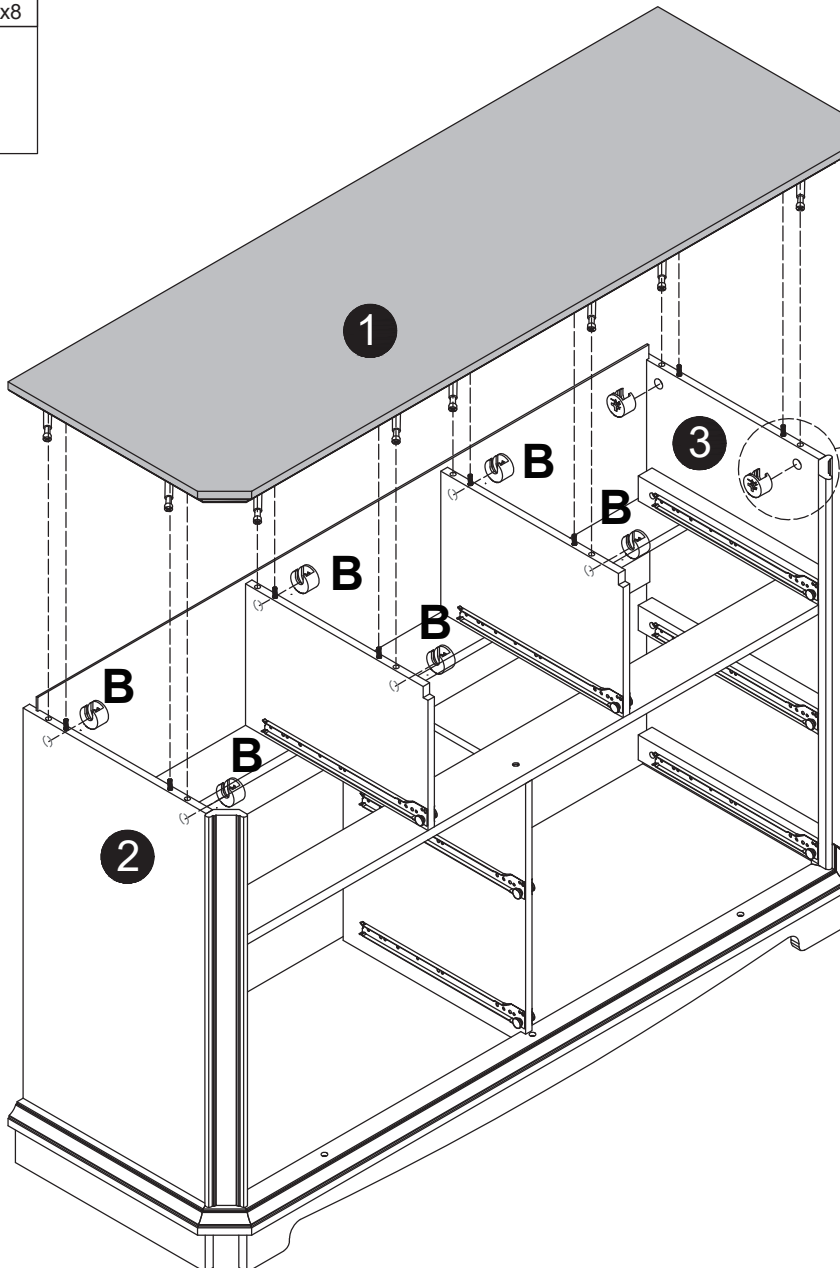
L x4



A x8



B x8



Need Two or More People To Complete

Attention: Screw J should be locked to 90%, not to 100%.

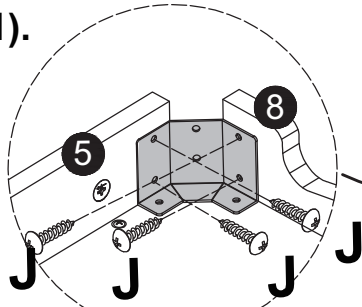
J x12



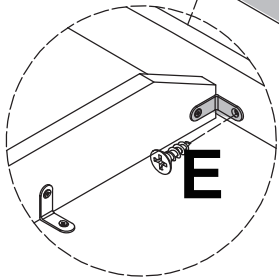
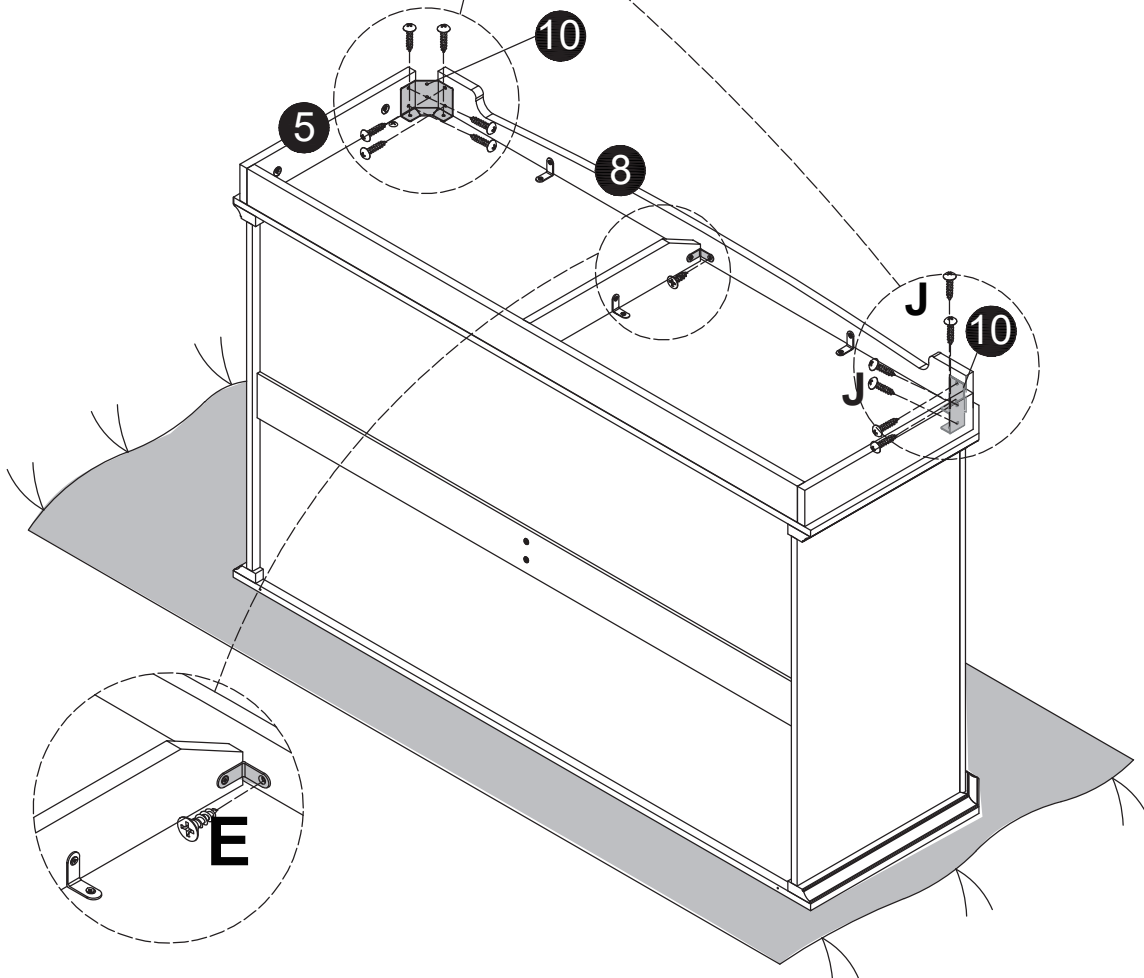
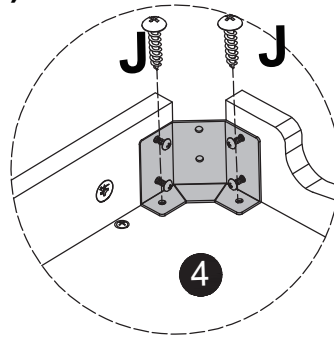
E x1



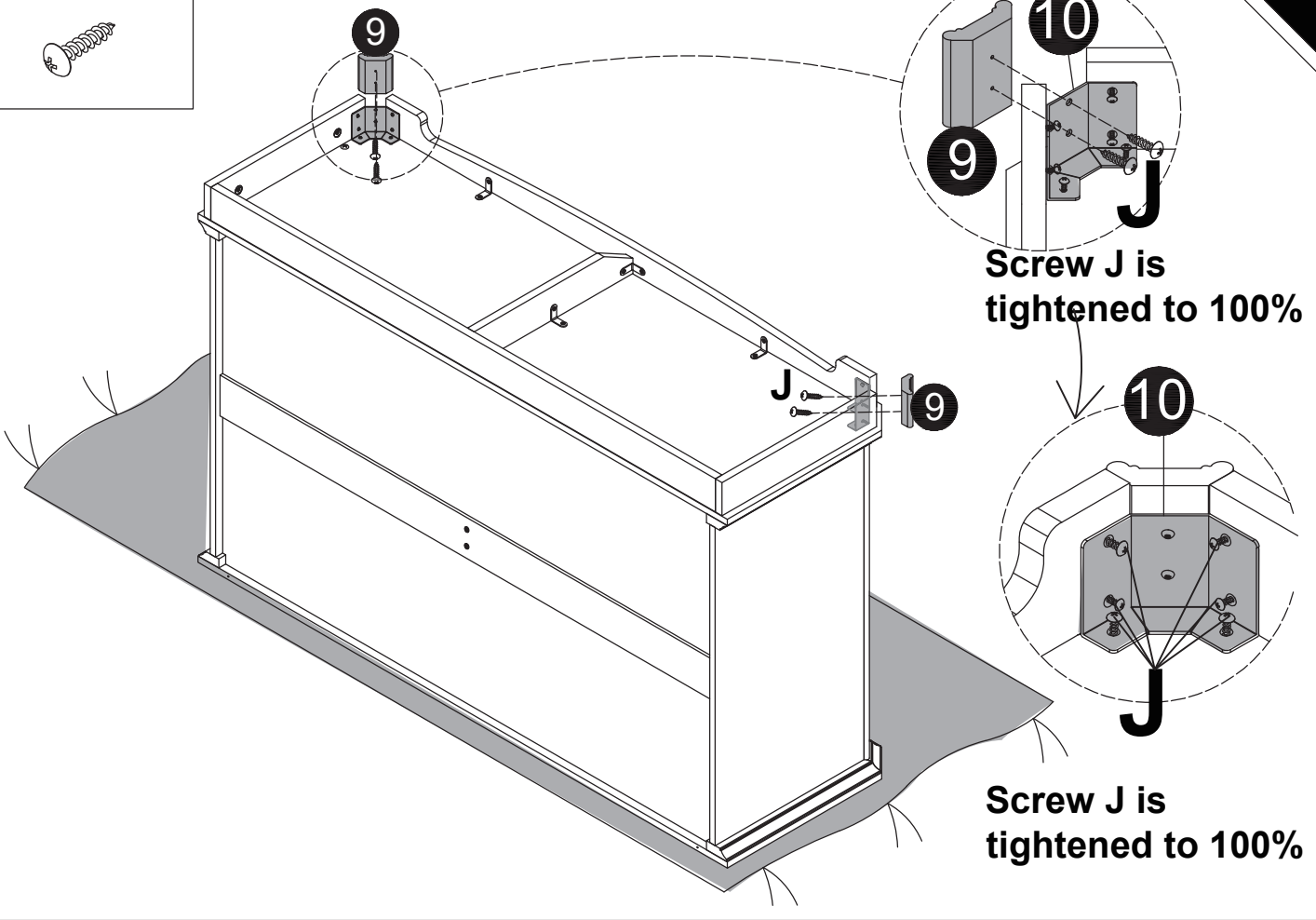
(1).



(2).



J x4



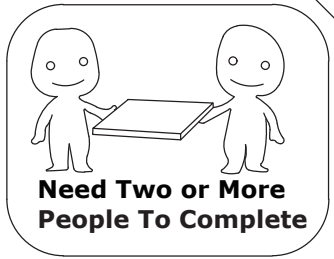
Screw J is tightened to 100%

Screw J is tightened to 100%

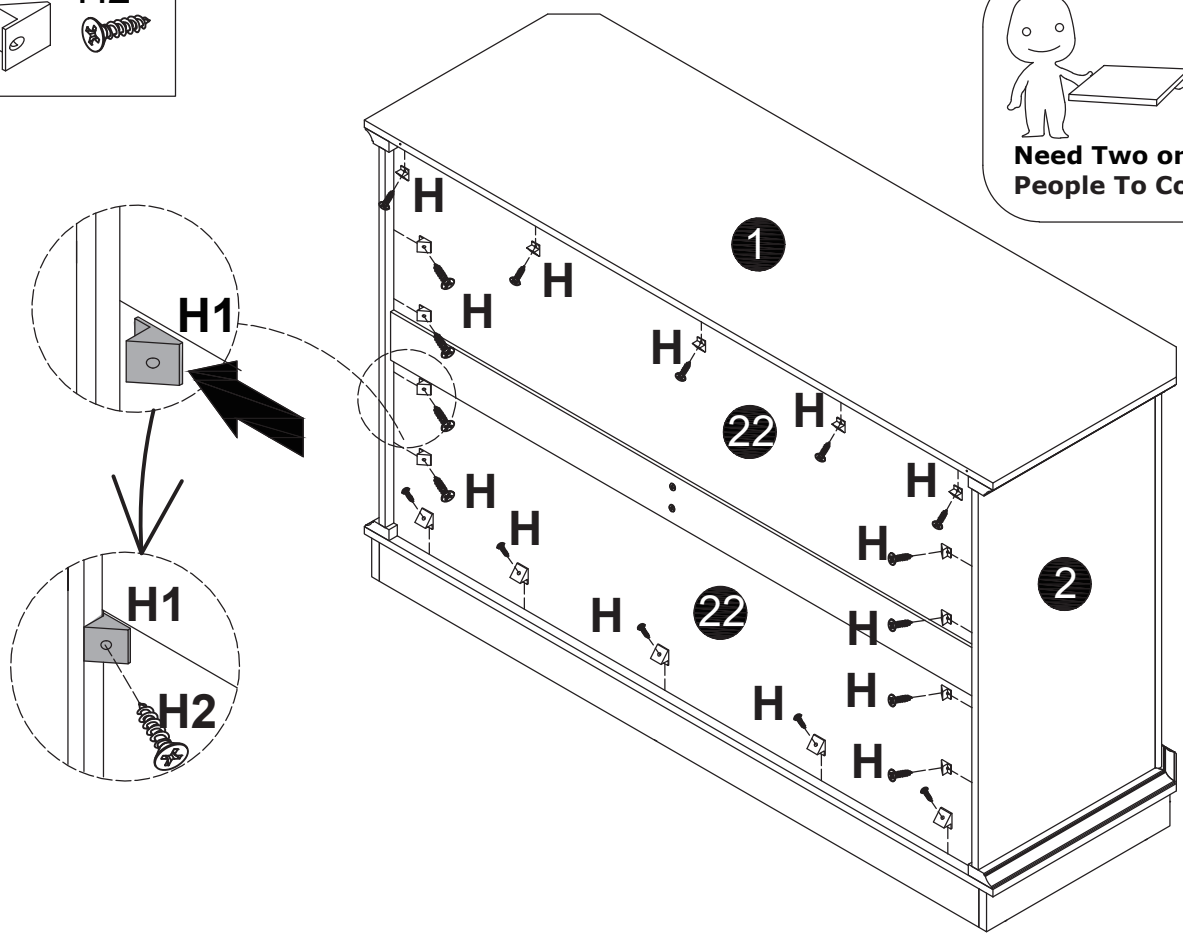
H x18

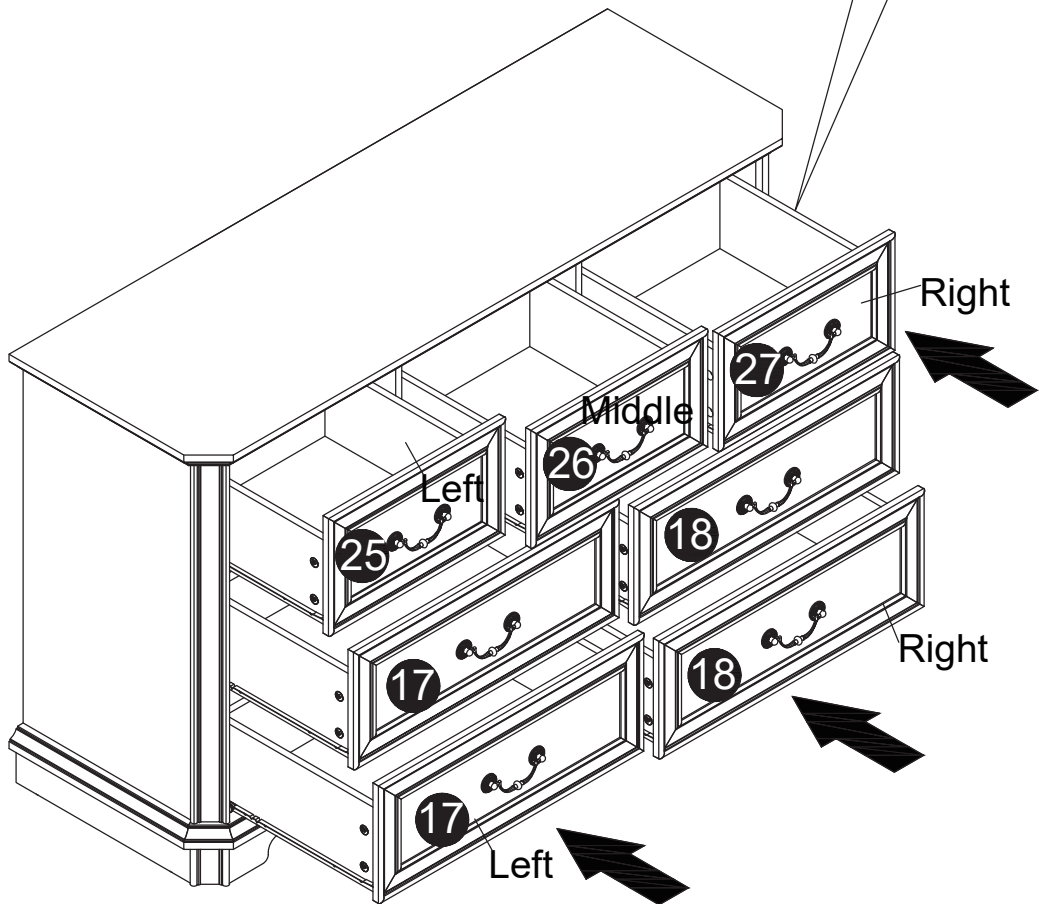
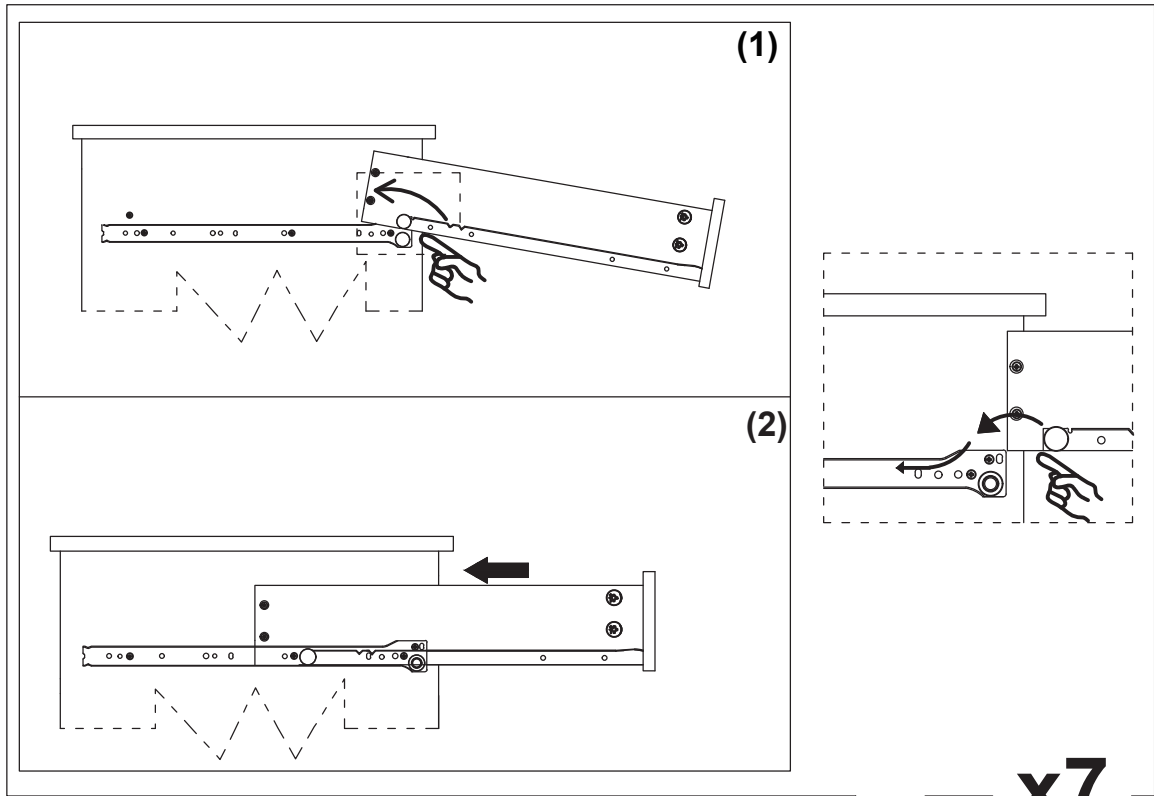
H1

H2



Need Two or More People To Complete





D x2



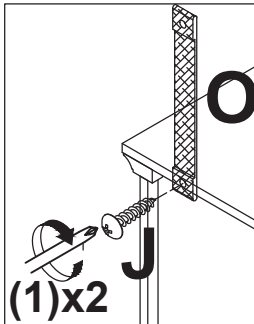
I x2



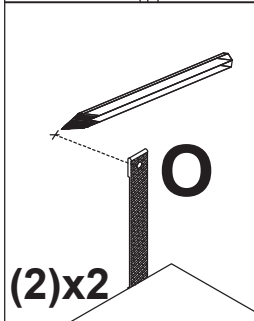
J x2



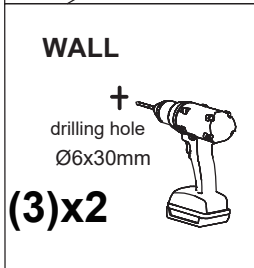
O x2



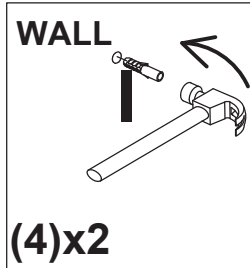
First fix the anti-rewind screw in the reserved hole of the product.



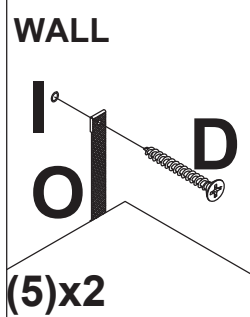
then, use a ruler to measure the approximate height of the product on the wall, and then mark it with a pen.



Then use a tape drill to make holes in the wall that are suitable for the product screws.



Then, put the expansion bolt into the hole



Finally, pass the matching screws through the "anti-rewind" and tighten them to fix them on the wall.

