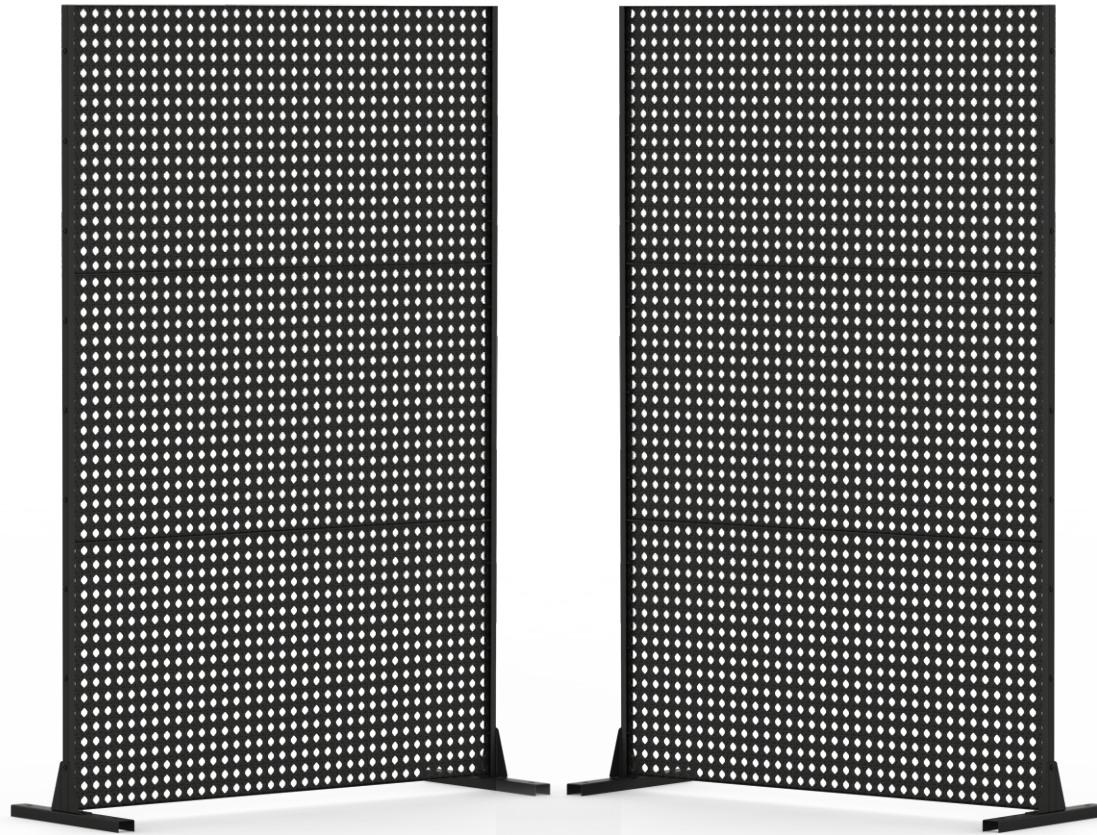


Outdoor Privacy Screen

ASSEMBLY MANUAL





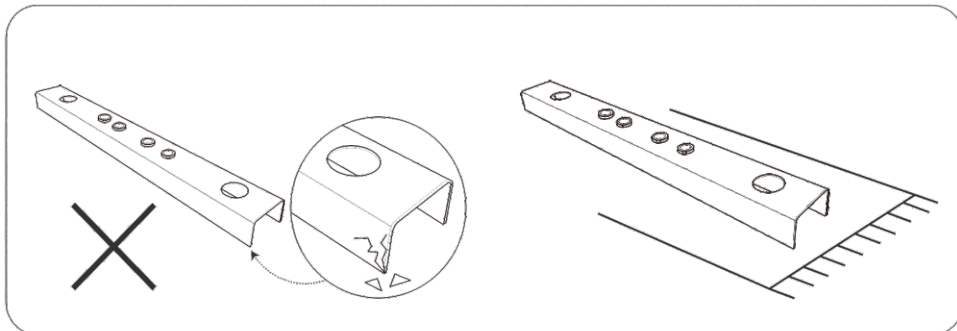
If the privacy screen will be used in a strong wind area, we highly recommend you using four Hex-Head Sleeve Anchors to fix the privacy screen on solid ground.

Before assembling, we recommend:

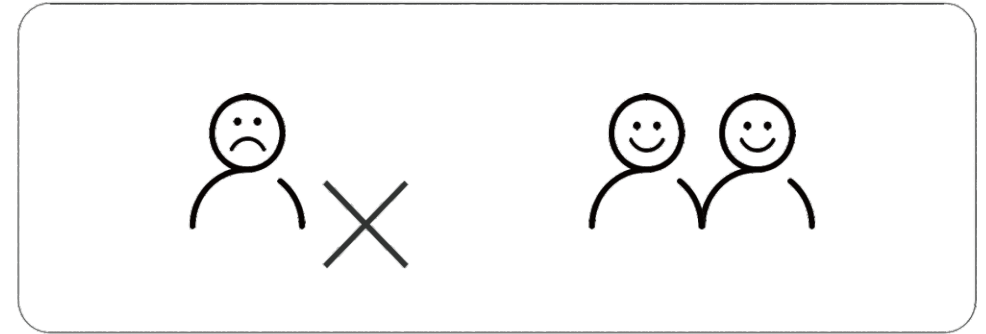
1. Wear Gloves.



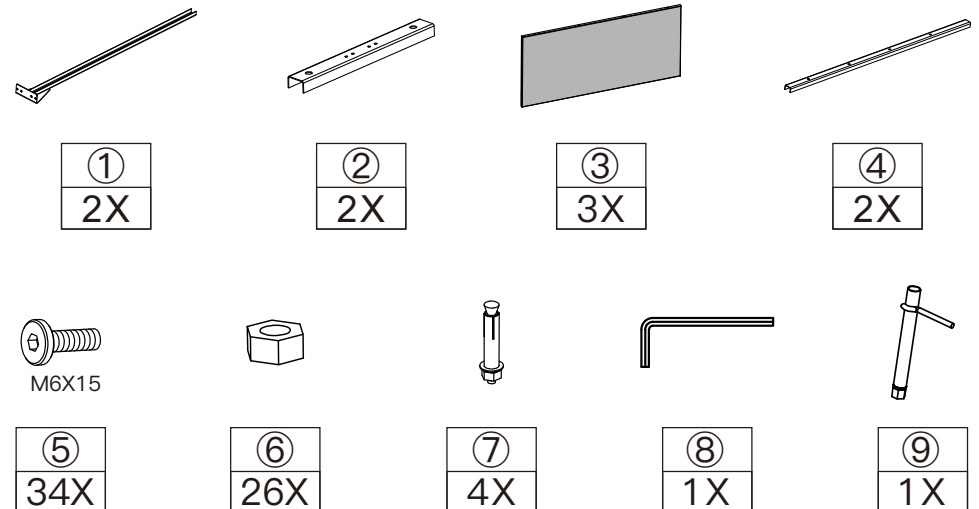
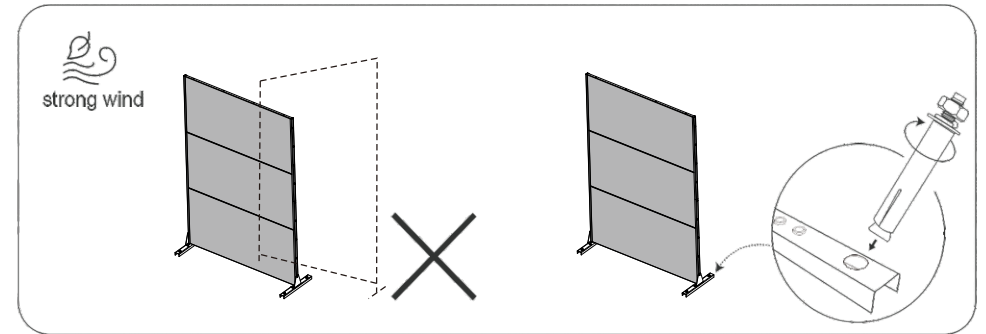
2. Don't assemble the privacy screen on a Hard Surface.



3. Ask for a Helping Hand.



4. Use Hex-Head Sleeve Anchors to fix the privacy screen on solid ground if necessary.

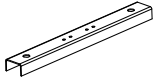


Vertically Install

①



①
2X



②
2X



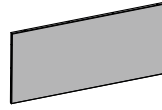
M6X15

⑤
8X



⑧
1X

②



③
1X



M6X15

⑤
6X



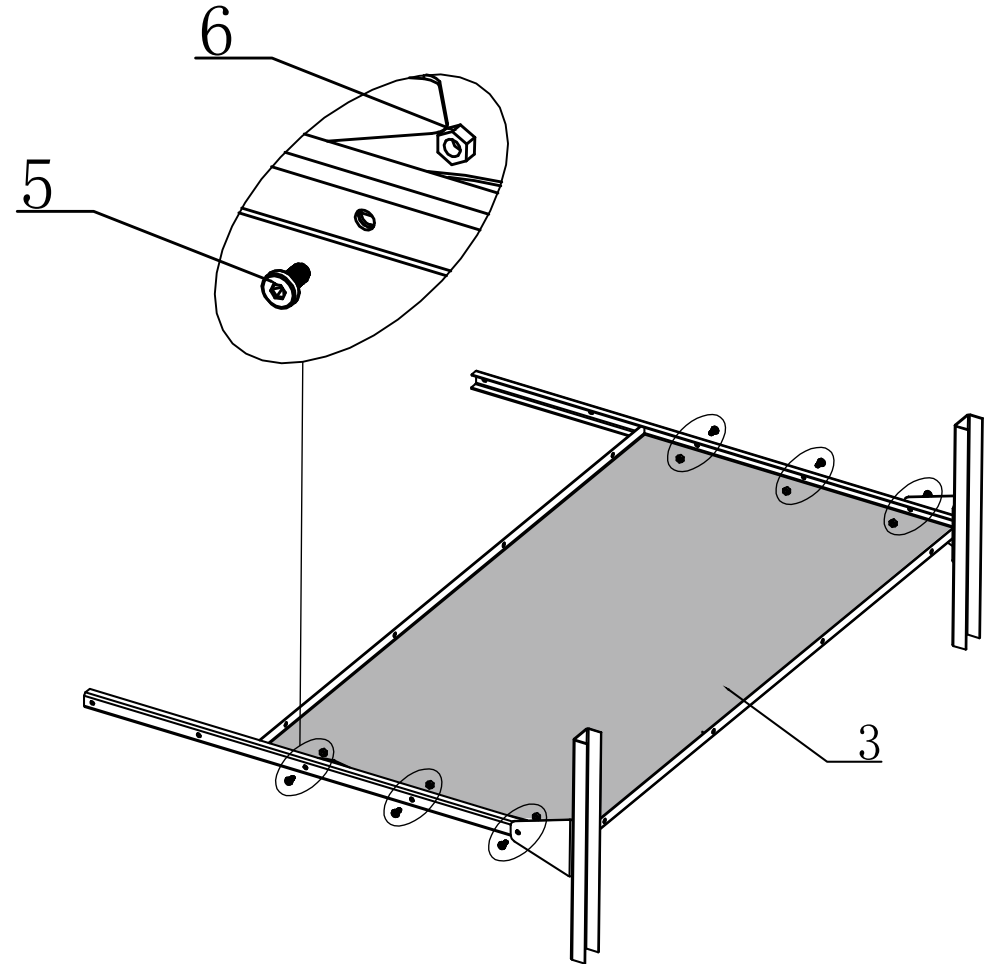
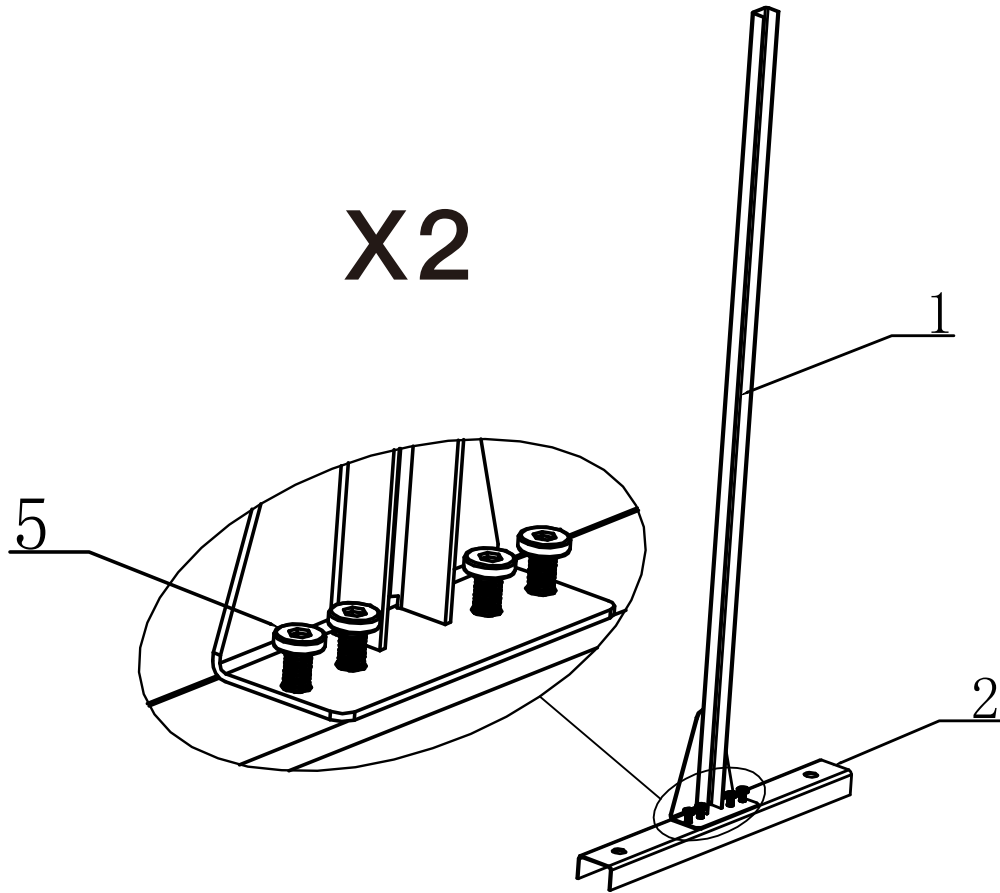
⑥
6X

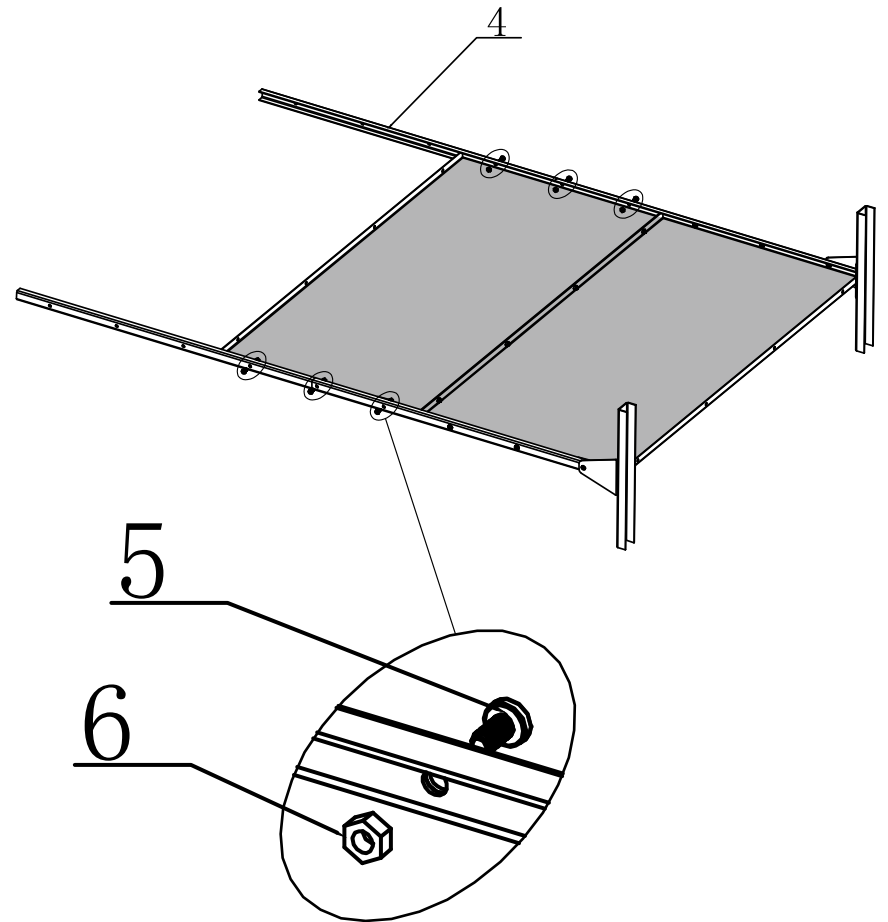
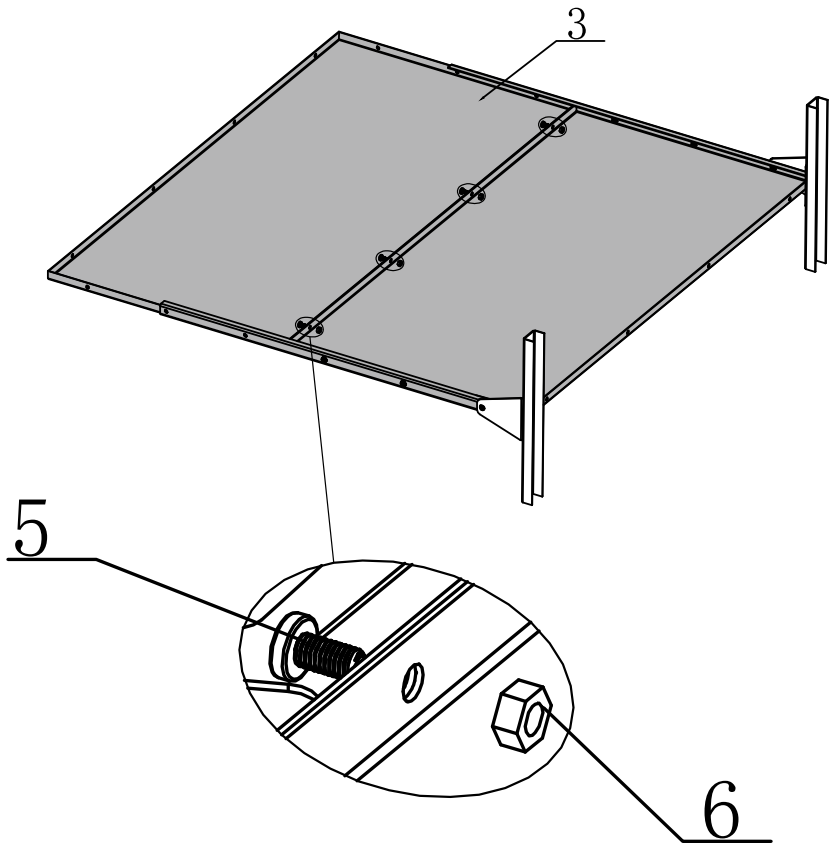
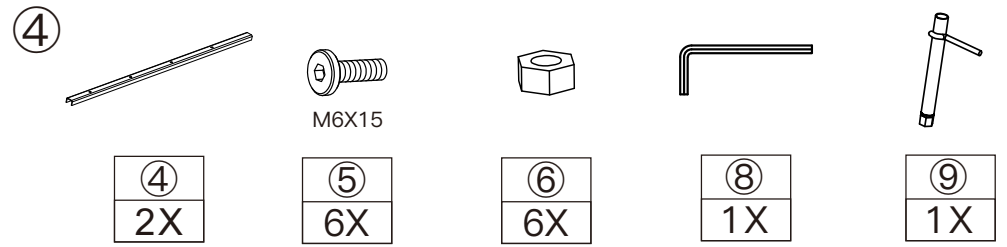
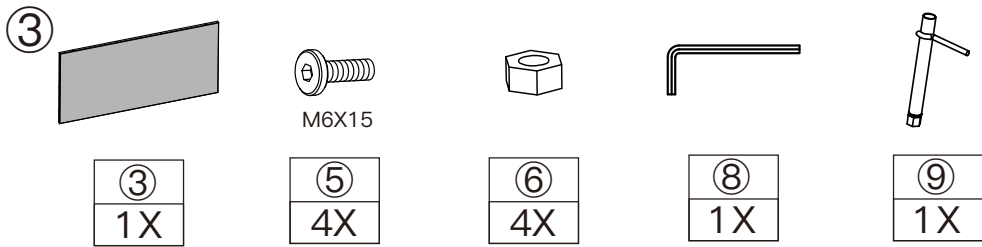


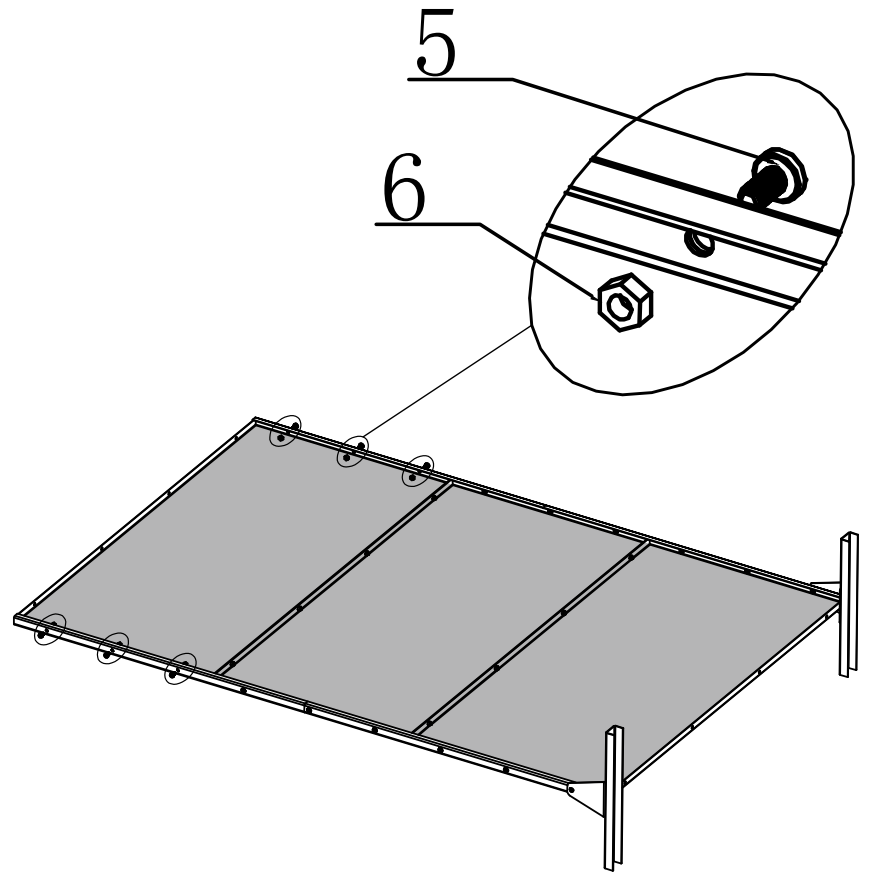
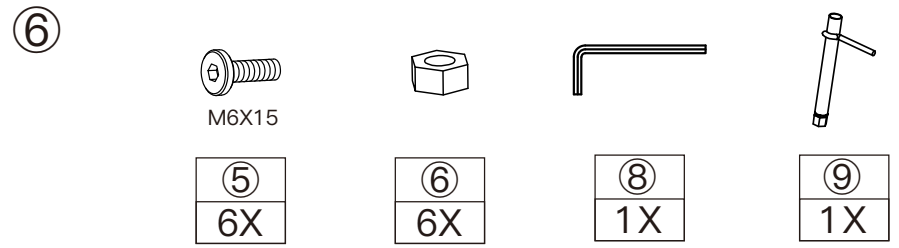
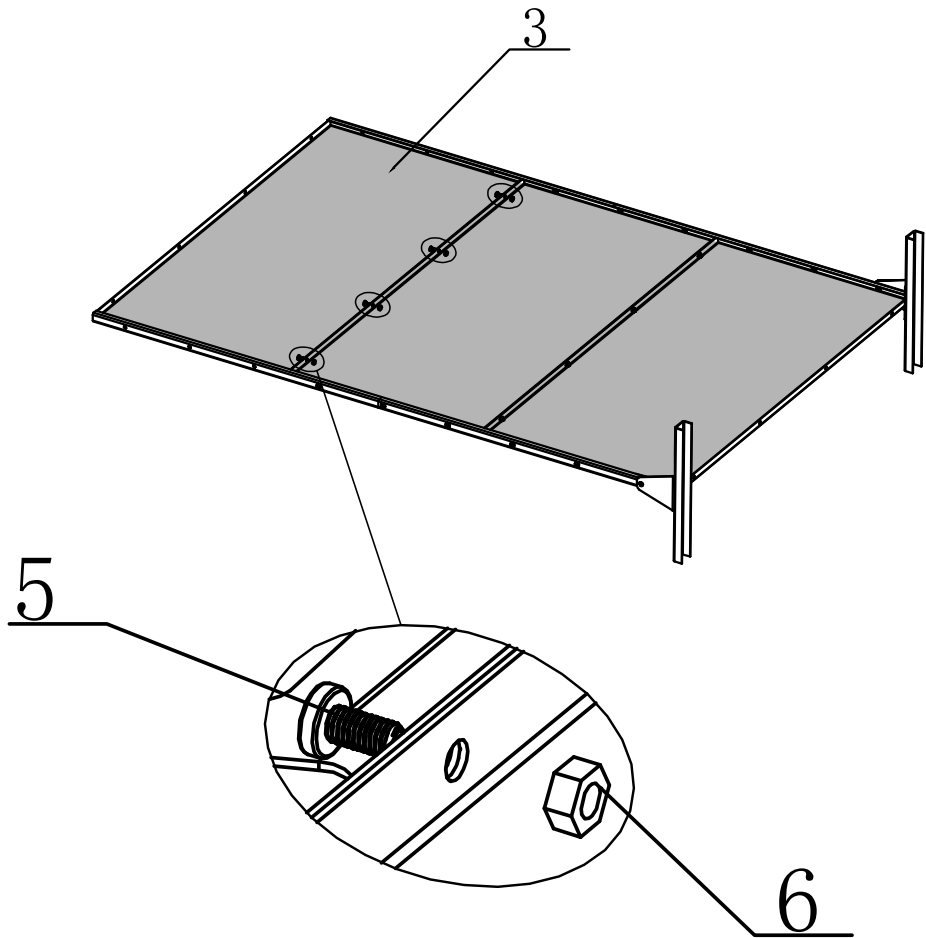
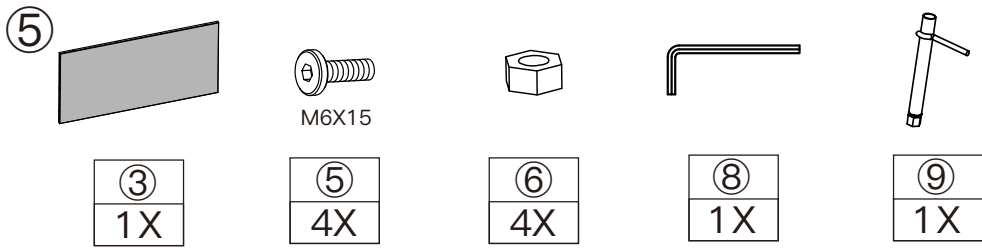
⑧
1X



⑨
1X





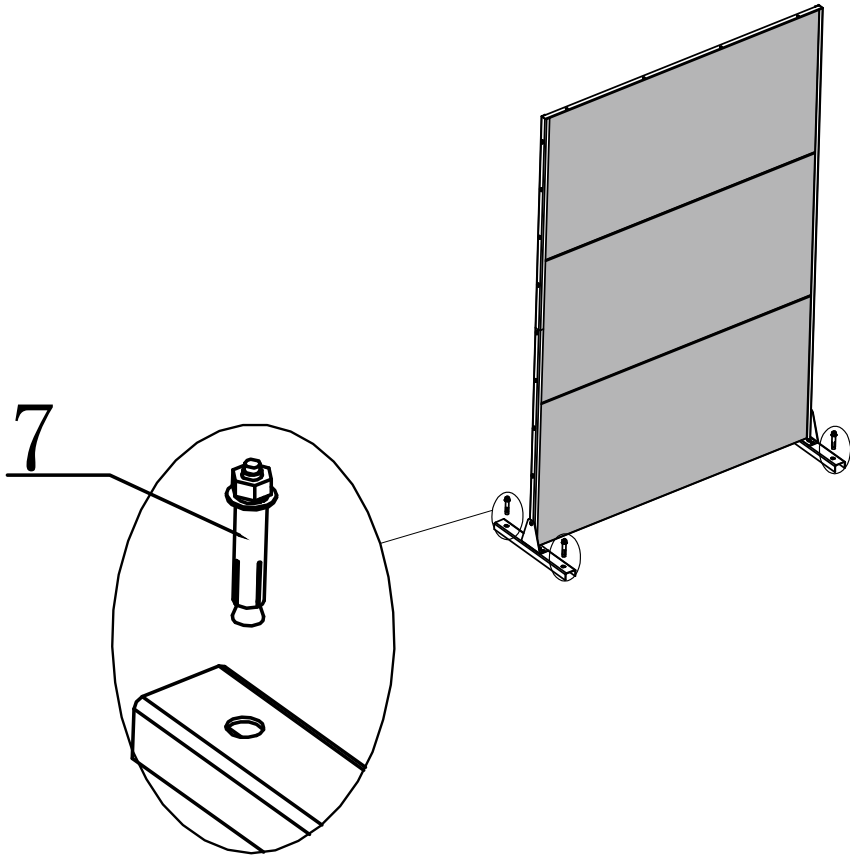


Single Panel Installation

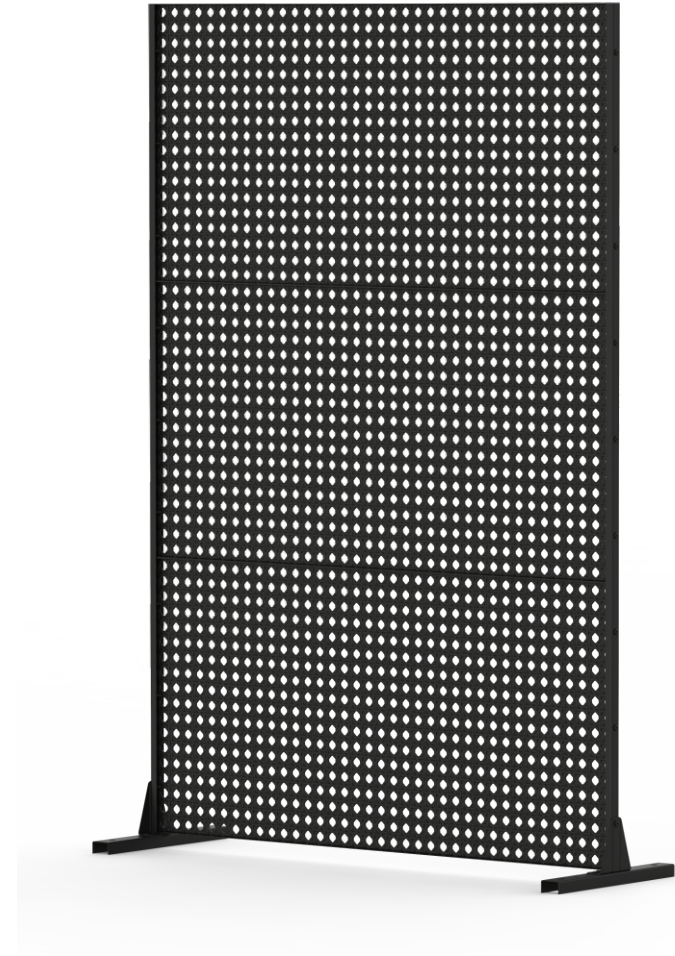
⑦



⑦
4X



⑧



We have various choices of pattern for you:

