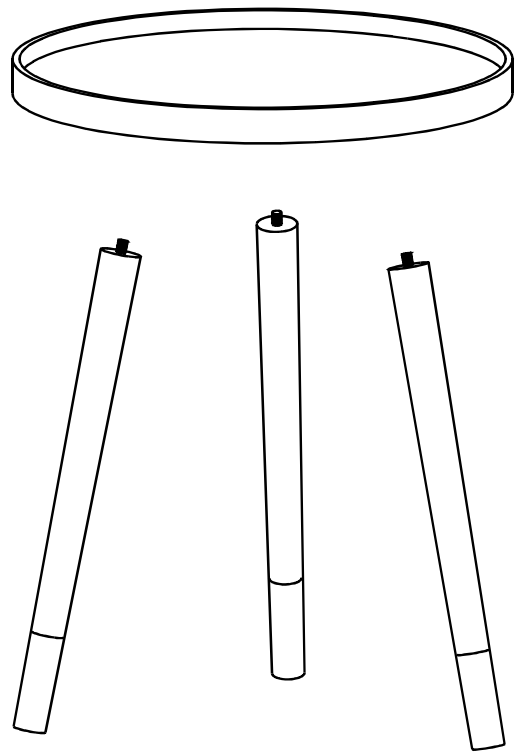
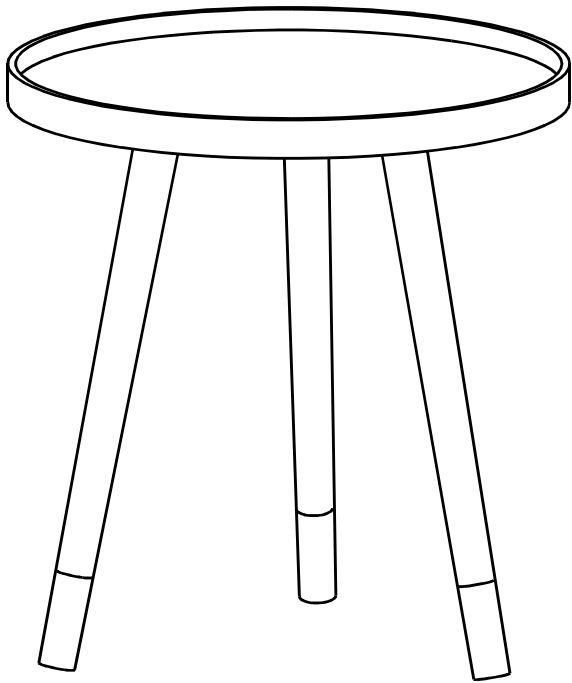
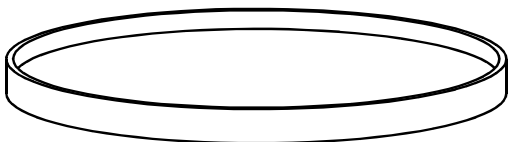


ASSEMBLY INSTRUCTIONS

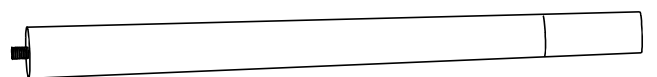


PARTS LIST

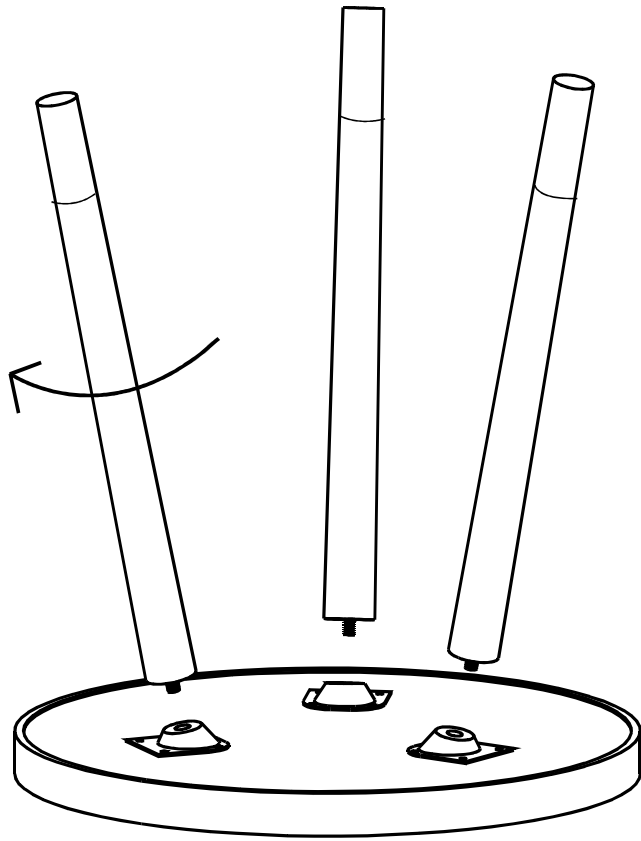
x1



x3



STEP1



STEP2

