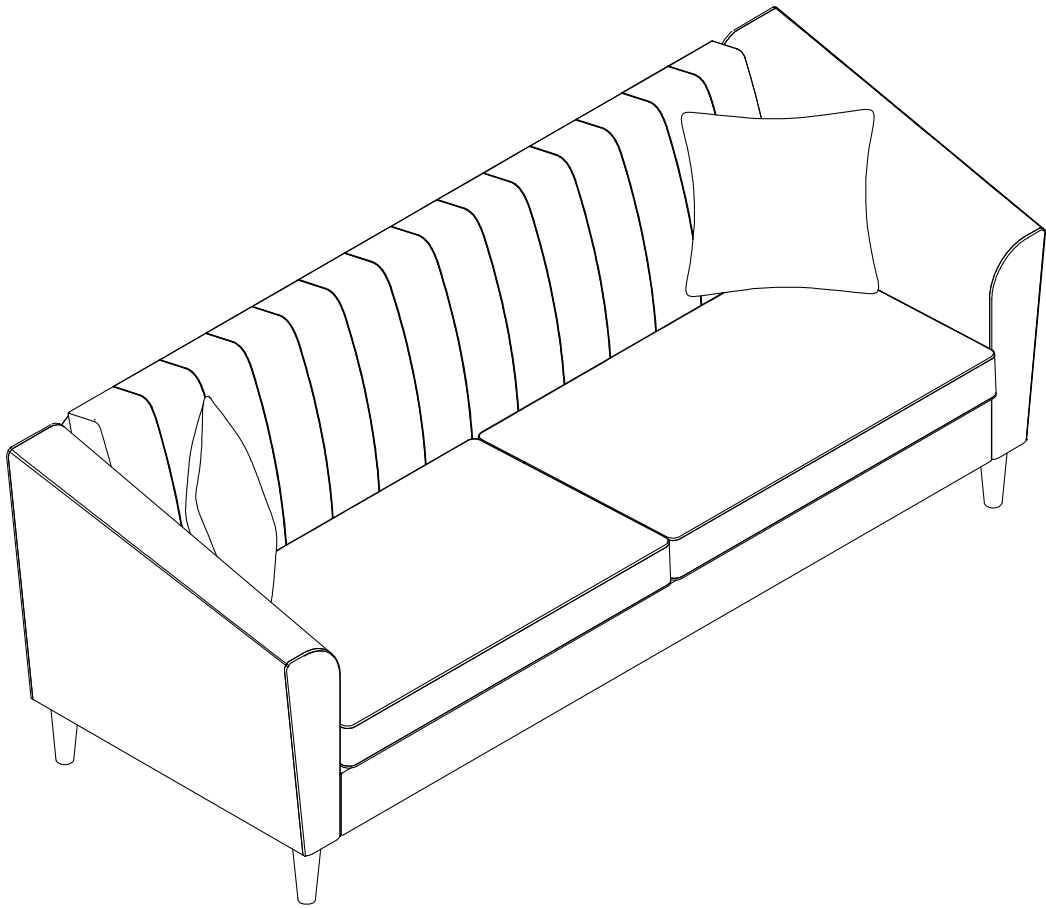
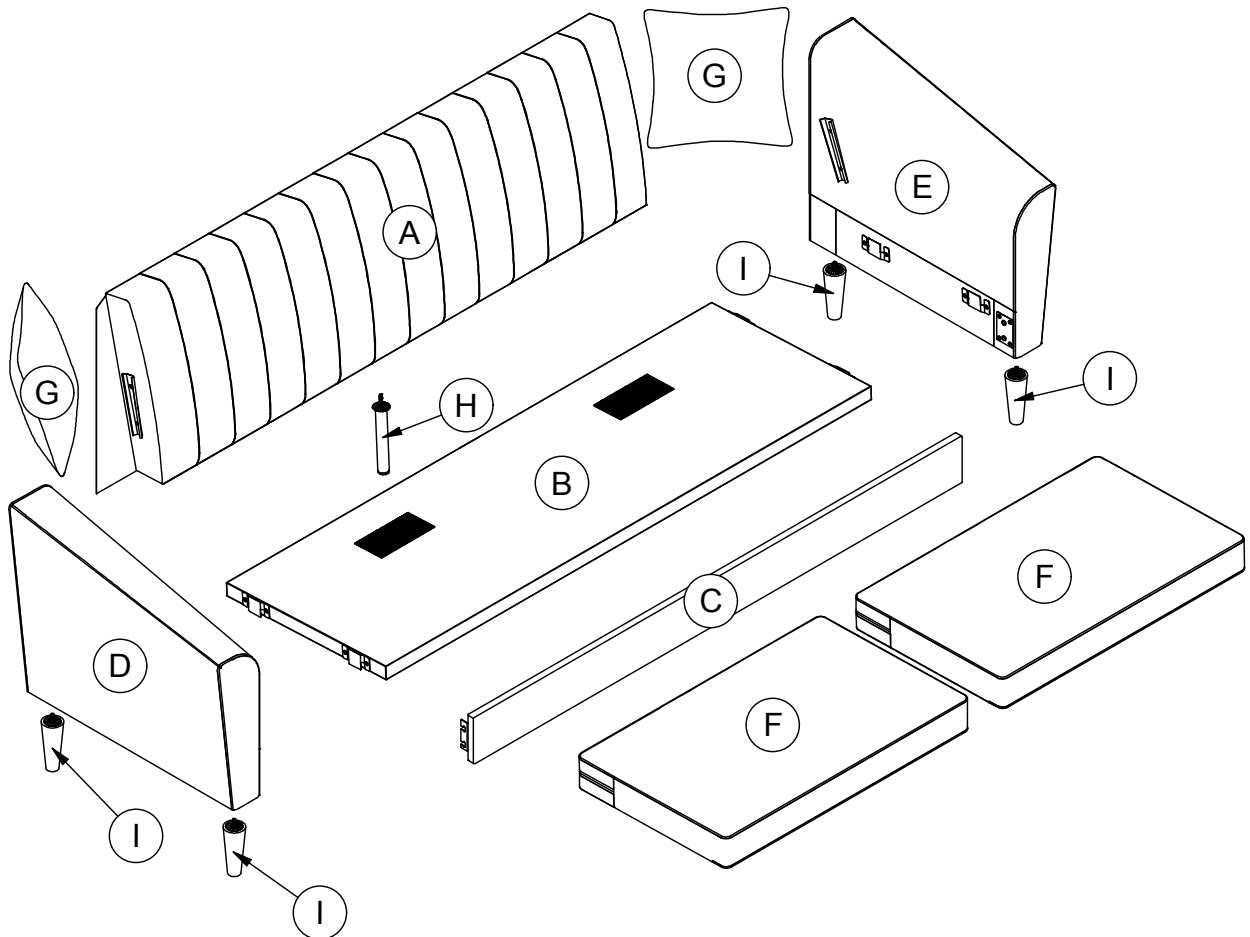


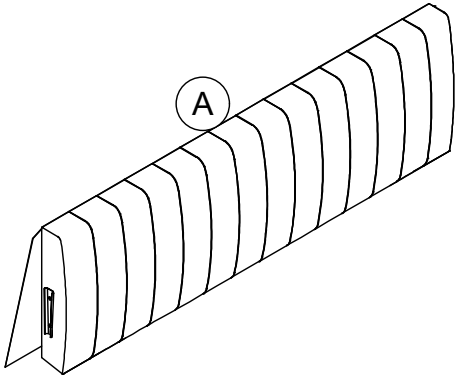
Assembly Instruction



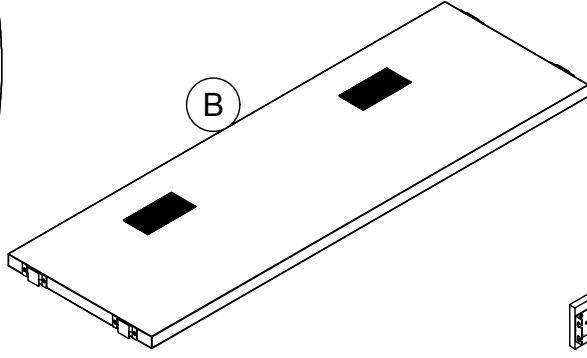
PARTS



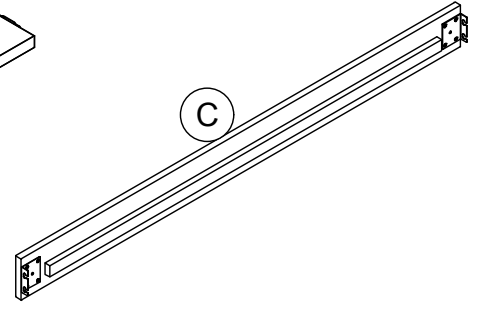
PARTS LIST



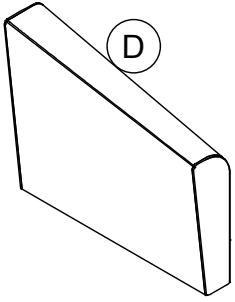
Back X 1 PC



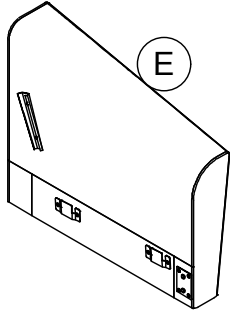
Seat Panel X 1 PC



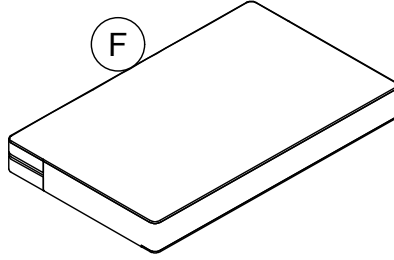
Front Rail X 1 PC



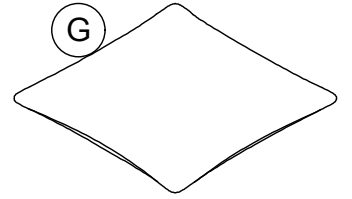
Armrest X 1 PC



Armrest X 1 PC



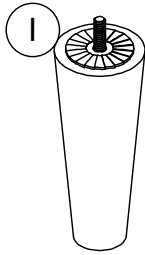
Seat Cushion X 2 PCS



Pillow X 2 PCS



Support Leg X 1 PC

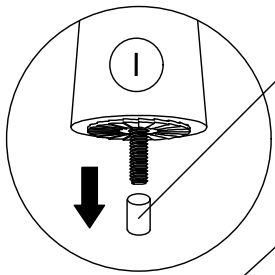


Leg X 4 PCS

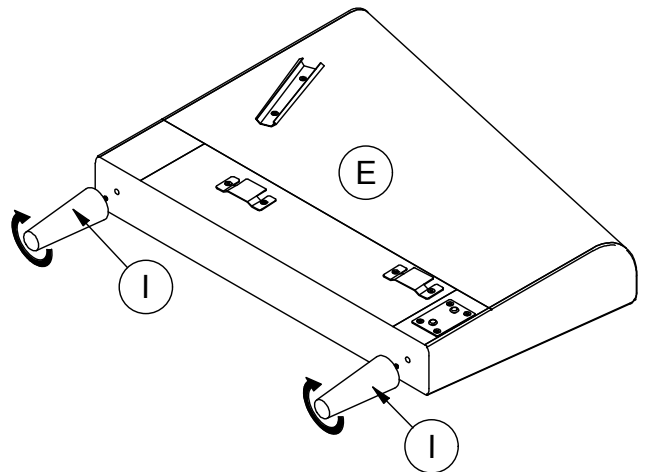
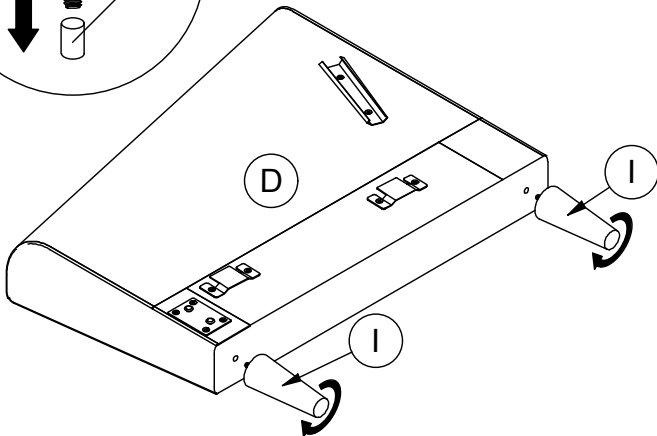
Place all parts on a clean, smooth surface.

STEP 1:

Manually screw I x 4 to D & E, as shown.

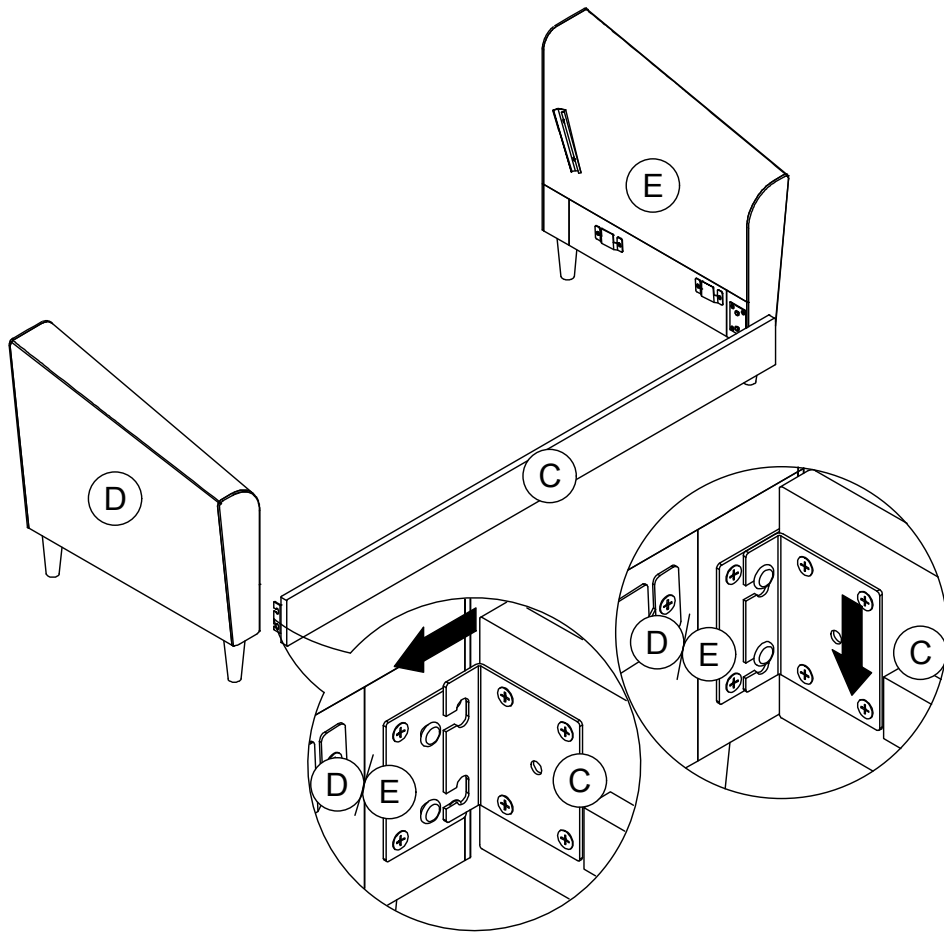


⚠ Please remove the protective cap on the tip of thread before assembling.



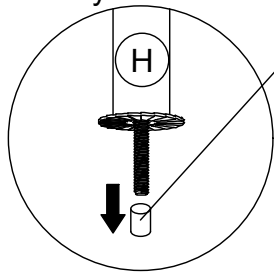
STEP 2:

Attach **C** to **D** & **E** by inserting the brackets on **C** into the metal plate on **D** & **E**, as shown. Push **C** with a downward force to secure it into place.

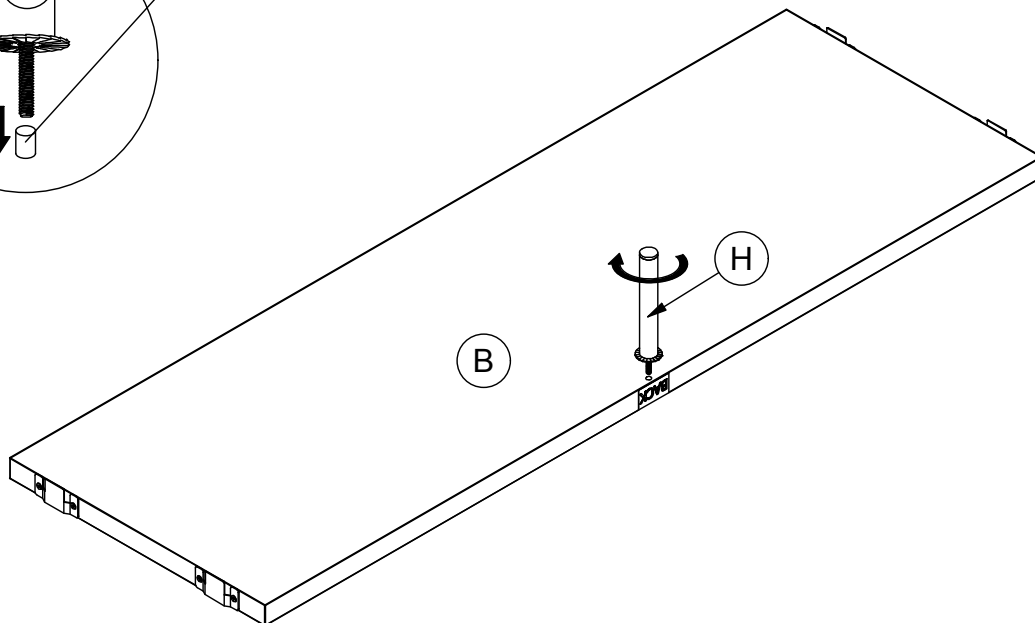


STEP 3:

Manually screw **H** to **B**, as shown.

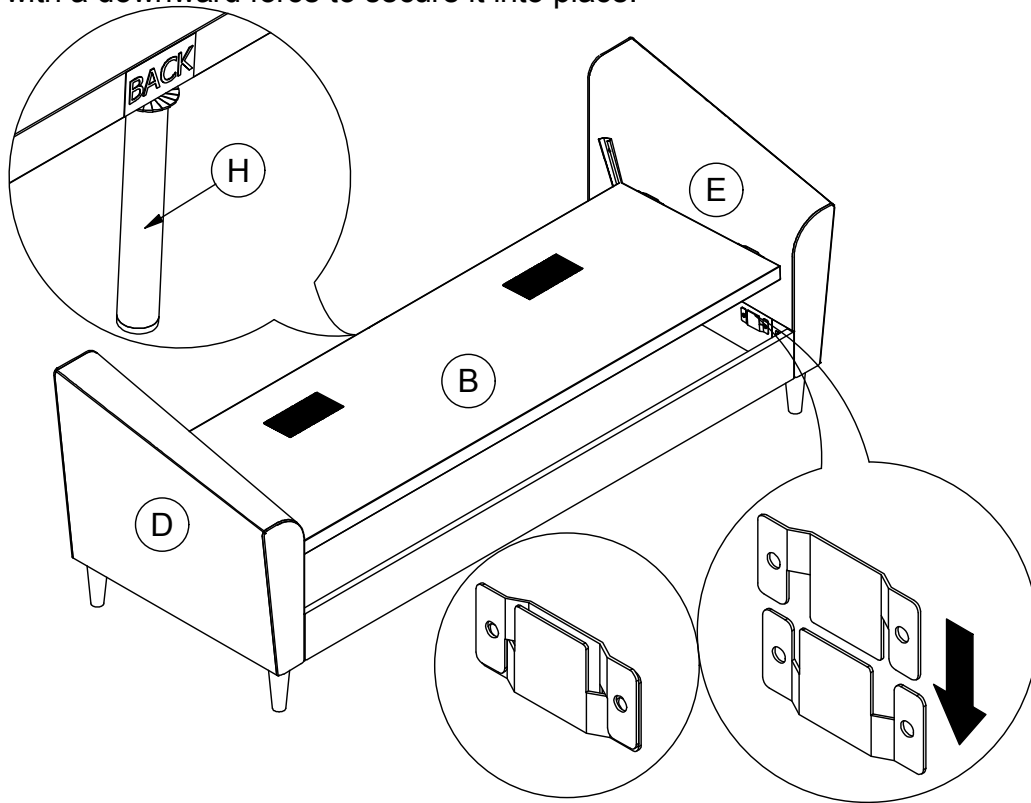


! Please remove the protective cap on the tip of thread before assembling.



STEP 4:

Attach **B** to **D** & **E** by inserting the metal brackets on **B** into the metal glides on **D** & **E**, as shown. Push **B** with a downward force to secure it into place.



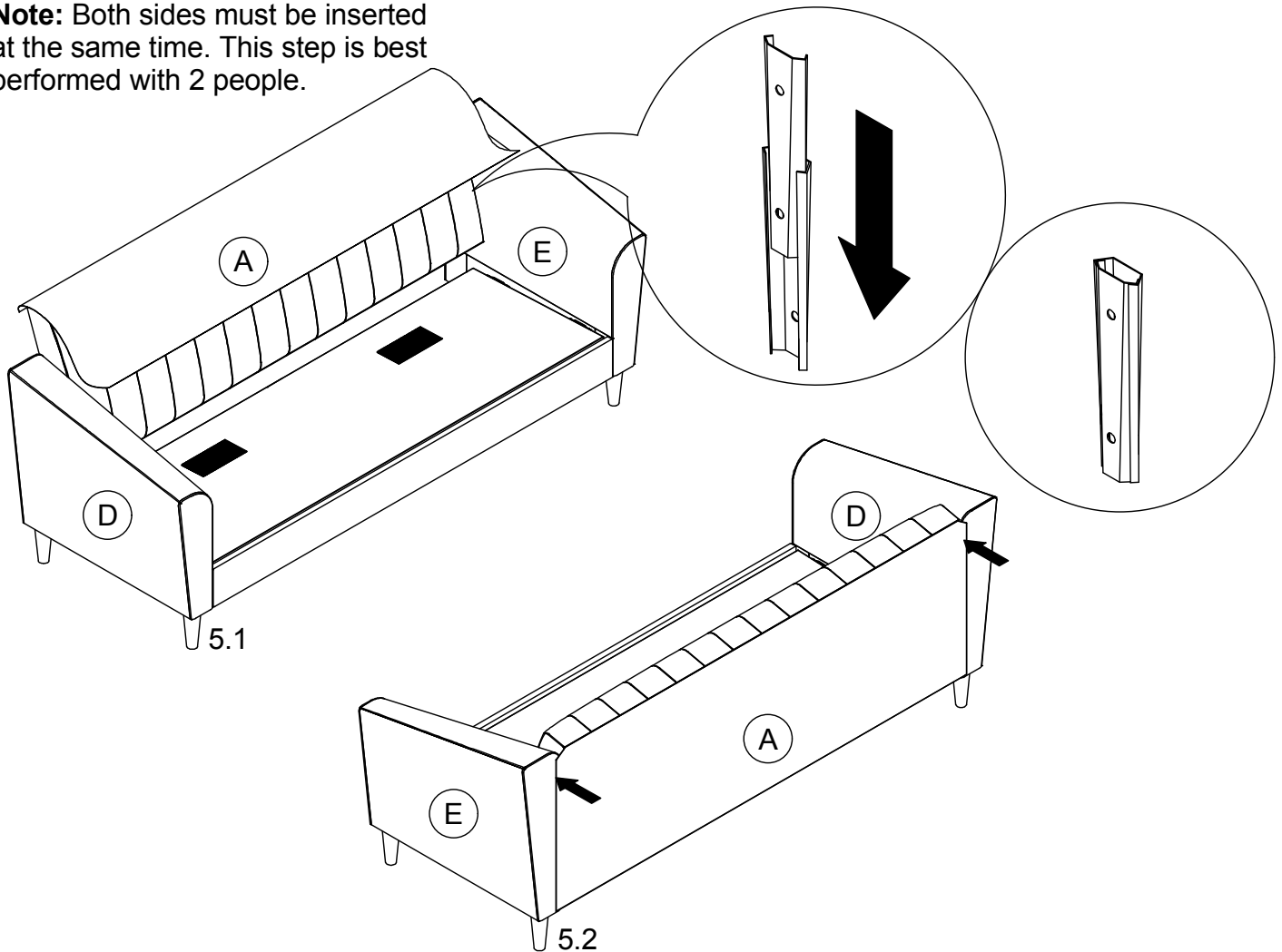
STEP 5:

5.1 Attach **A** to **D** & **E** by inserting the brackets on **A** into the metal glides on **D** & **E**.

Push **A** with a downward force to secure it into place.

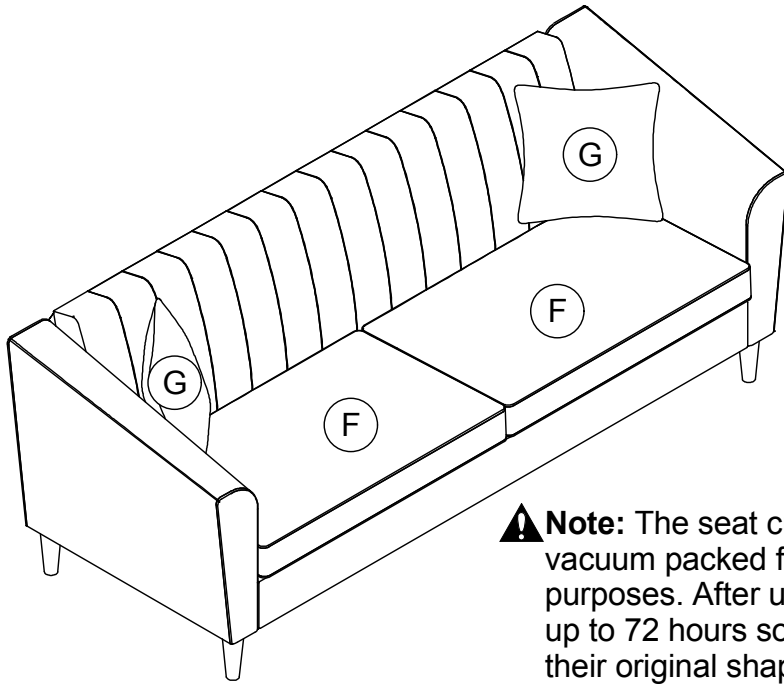
5.2 Secure the fabric flap on **A** to **D** & **E** using the Velcro strips.

Note: Both sides must be inserted at the same time. This step is best performed with 2 people.



Step 6:

Remove the seat cushions from their vacuum sealed package. Place **F** x 2 & **G** x 2 onto the sofa.



⚠ Note: The seat cushions have been vacuum packed for transportation purposes. After unpacking, please allow up to 72 hours so that they can return to their original shape.

Helpful Hints

- Move your new furniture carefully, with two people lifting and carrying the unit to its new location.
- Your furniture can be disassembled and reassembled to move.
- Clean the product with a soft damp cloth. DO NOT use harsh chemicals or abrasive cleaners.
- For further information please contact at sales4@jsanyee.com

