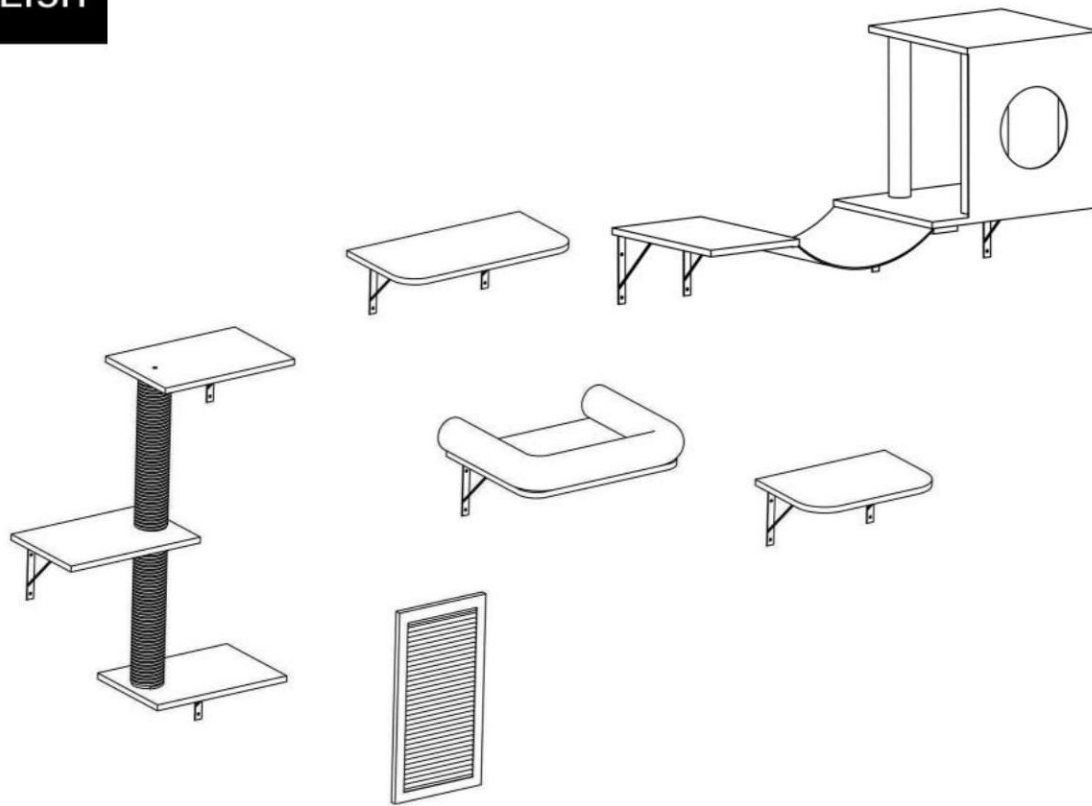


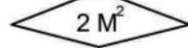
ENGLISH



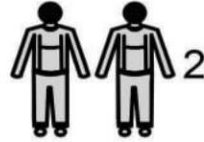


40 MIN
APPROXIMATE
ASSEMBLY TIME

REQUIRED
ASSEMBLY SPACE
FLOOR AREA 1M x 2M



Climbing Prohibit



2-PERSON ASSEMBLY

Please check the package contents before getting started!

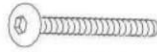
Hardware List



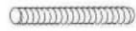
13
A x pcs



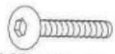
M4x14mm
B x 28 pcs



M8x40mm
C x 10 pcs



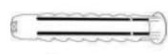
M8x80mm
D x 1 pcs



M8x25mm
E x 2 pcs



F x 4 pcs



G x 32 pcs



H x 32 pcs

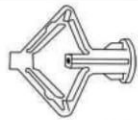
Use 8mm drill. Suitable for solid wall: cement, natural dense stone, solid brick, solid lime sand brick, light cement, hollow concrete brick.



J x 1 pc



K x 1 pc



G x 32 pcs



H x 32 pcs

Use 10mm drill. Suitable for hollow walls. For stability we install one side on the stud, the other side using anchors to fix.

Hardware List



① x 3pcs



② x 1pc



③ x 1pc



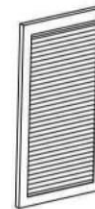
④ x 1pc



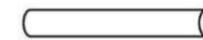
⑤ x 1pc



⑥ x 1pc



⑦ x 1pcs



⑧ x 4pcs



⑨ x 2pcs

If you are missing parts or have any difficulties with installation, you can contact us

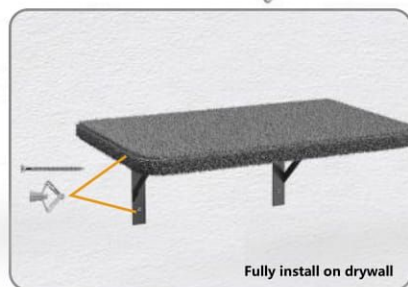
Tips for a stable installation

① and ② for solid walls

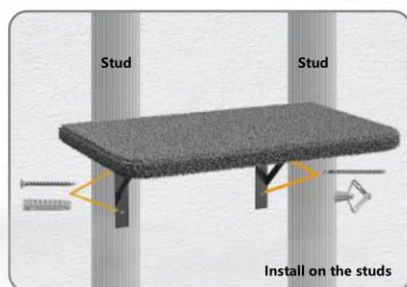
③ and ④ for hollow walls



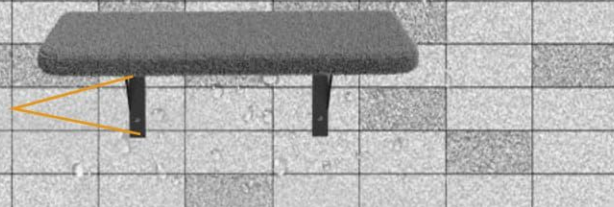
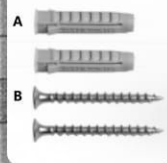
Dry wall installation method1:



Dry wall installation method2:



Solid wall



Screws and wall anchors are fixed to match and should not be mixed.

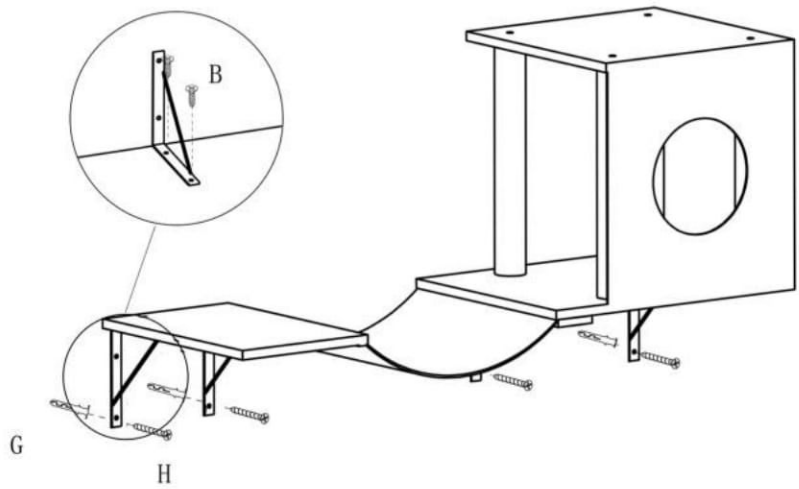
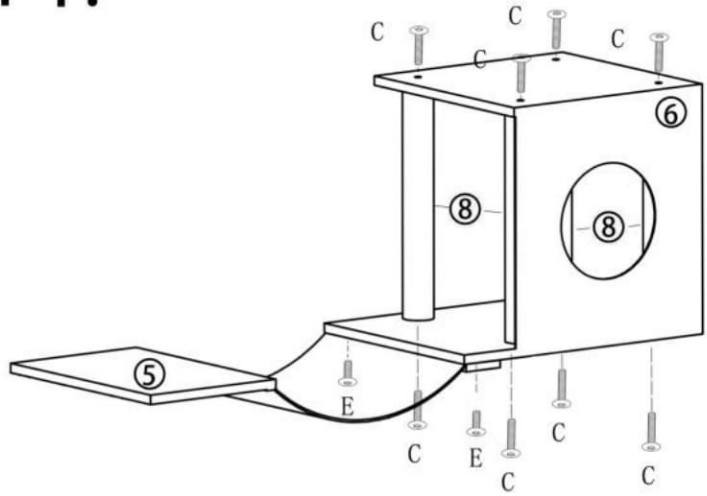
① and ② are grouped together,





③ and ④ are grouped together.

Installation Steps

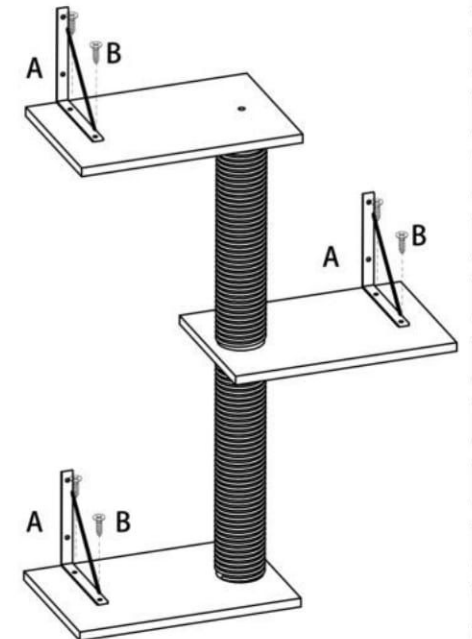
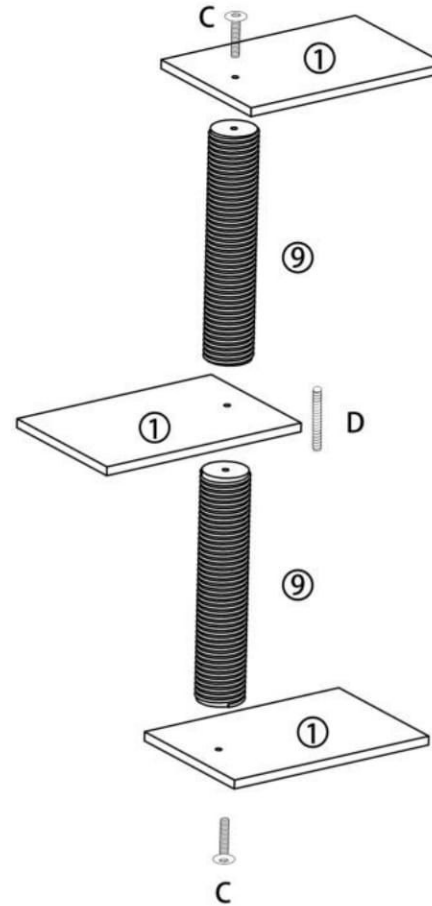
1. Please assemble the parts before mounting them to the wall.
2. Use a **power screwdriver** to secure the bracket to the component.
3. You need to use the **wall detector** to detect the inside of the wall.
4. Please use a marker to **mark** the location of the holes to be punched.
5. Use an **electric impact drill** for drilling. When drilling holes, please pay attention to the diameter of the drill bit.
6. Plug the **wall anchor** into the hole. (If blocked, strike into hole with hammer)
7. Secure the parts with an electric screwdriver.
8. Complete the installation!





STEP 1:



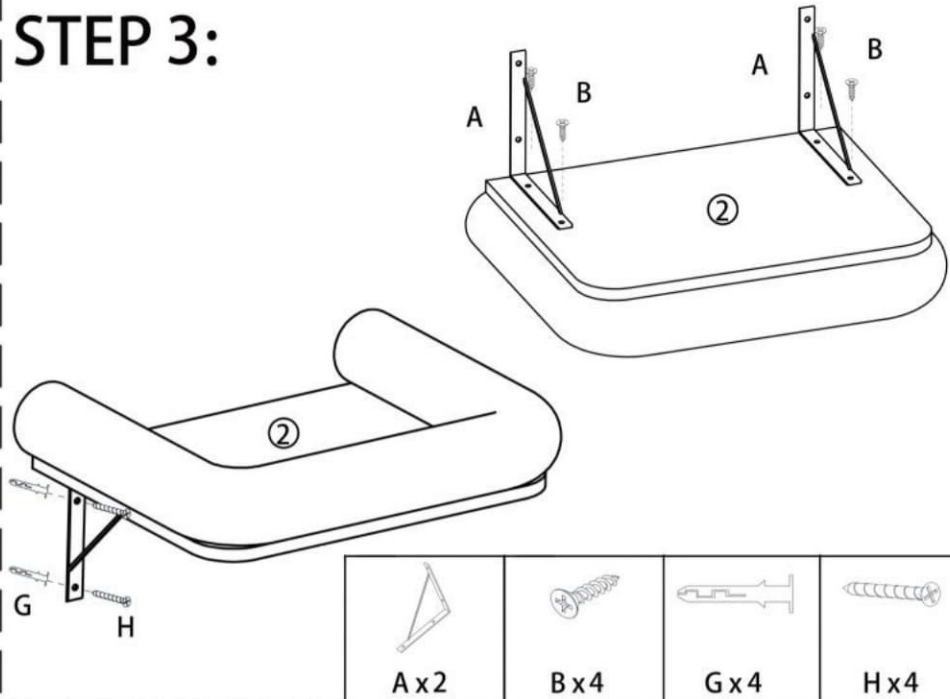
			
A x 4	B x 8	G x 8	H x 8

STEP 2:

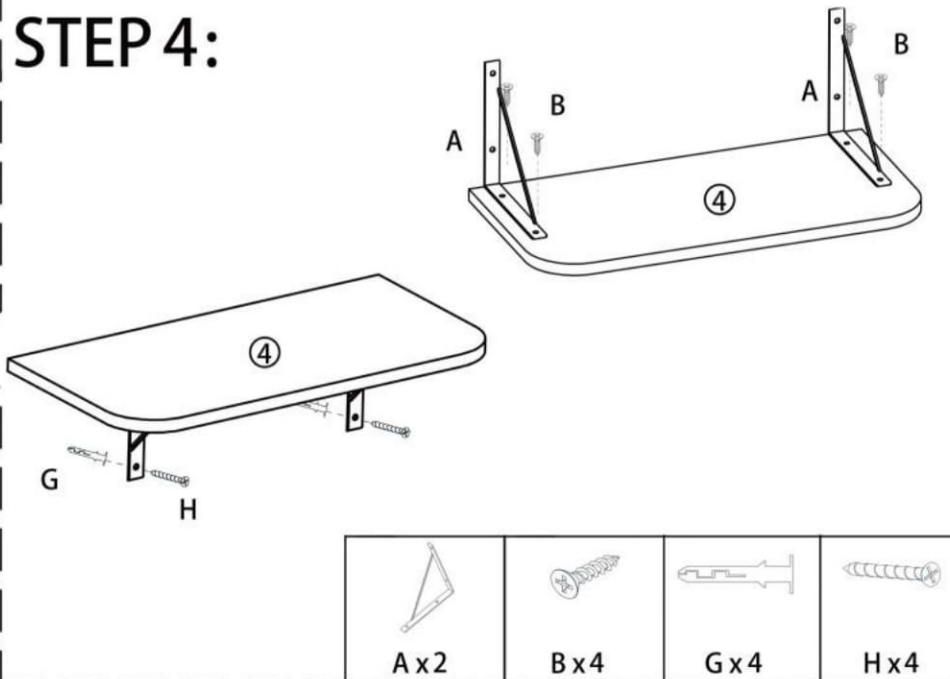


			
A x 3	B x 6	G x 6	H x 6

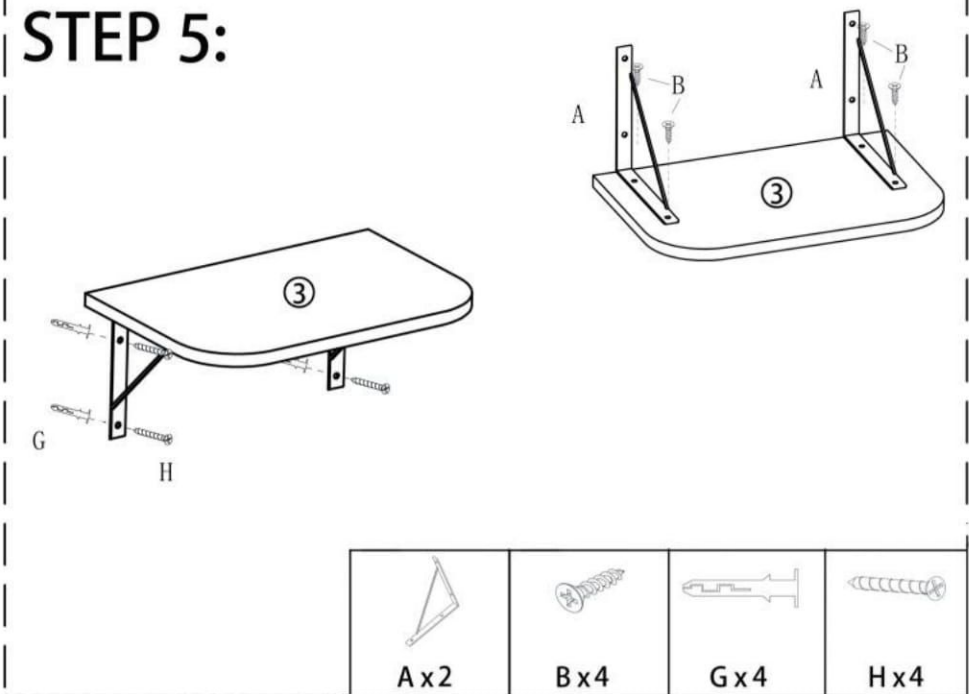
STEP 3:



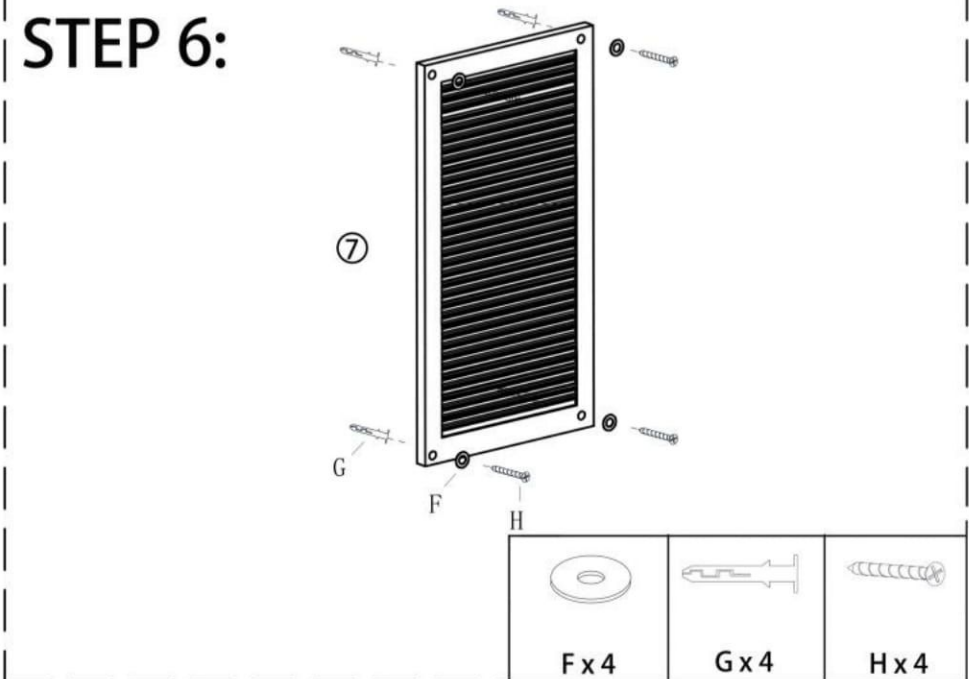
STEP 4:



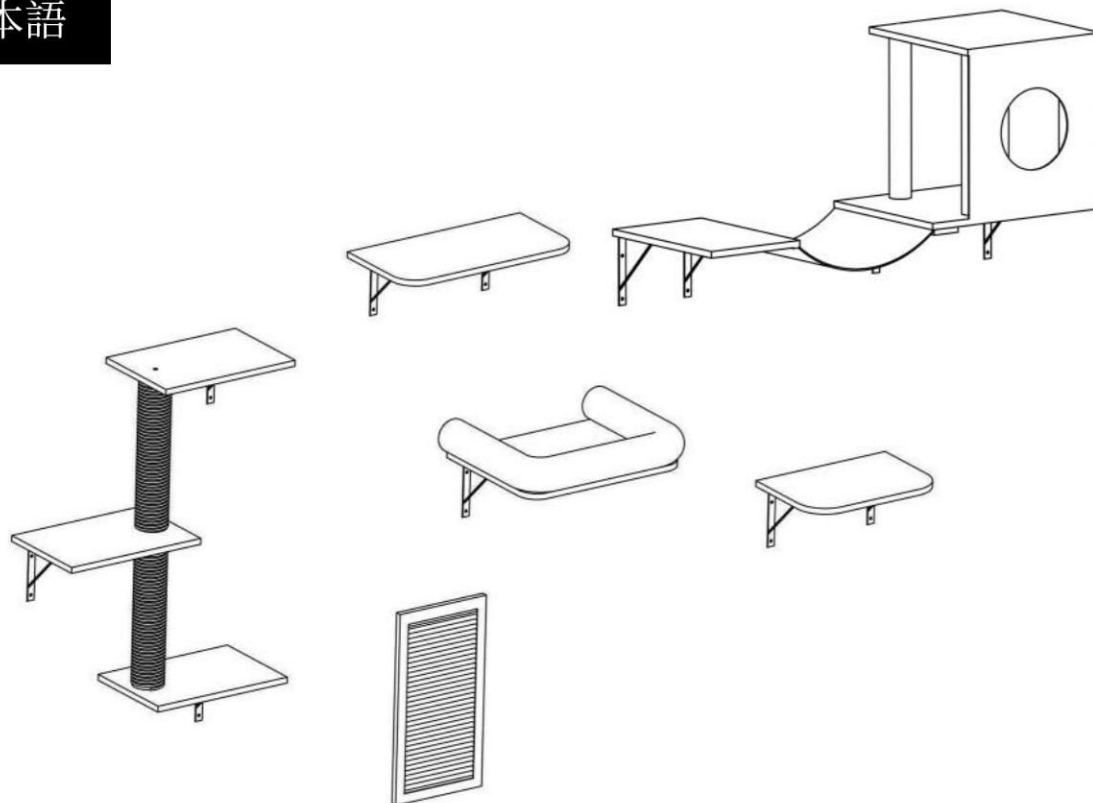
STEP 5:



STEP 6:



日本語

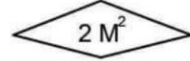




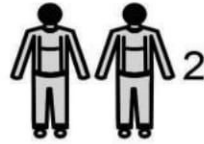
40 MIN
近似値
組立時間

リクエスト
組立スペース

フロア面積 1M2M



クライミングは禁止されている



2人組み立て

始める前にパッケージの内容を確認してください

ハードウェア・リスト

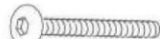


A x 13 pcs



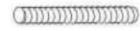
M4x14mm

B x 28 pcs



M8x40mm

C x 10 pcs



M8x80mm

D x 1 pcs



M8x25mm

Ex 2 pcs



Fx 4 pcs



G x 32 pcs



H x 32 pcs

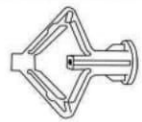
8mmのドリルを使用して下さい。
土壁のために適した: セメント、自然で密な石、ソイルドレンガ、土石灰砂煉瓦、軽いセメント、空の具体的な煉瓦。



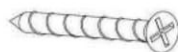
J x 1 pc



K x 1 pc



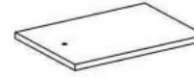
G x 32 pcs



H x 32 pcs

10mmのドリルを使用して下さい。
乾式壁に適しています。
安定性のために、片側をスタッドに取り付け、もう片側をアンカーで固定します。

ハードウェア・リスト



① x 3pcs



② x 1pc



③ x 1pc



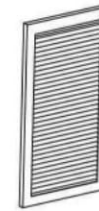
④ x 1pc



⑤ x 1pc



⑥ x 1pc



⑦ x 1pcs

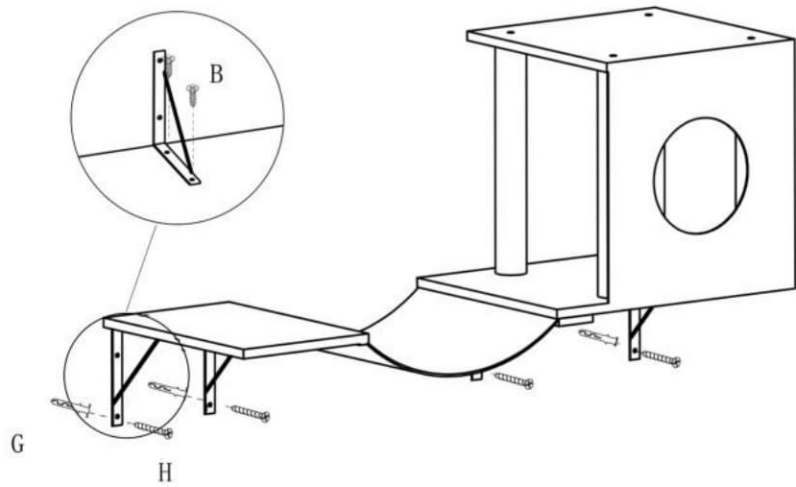
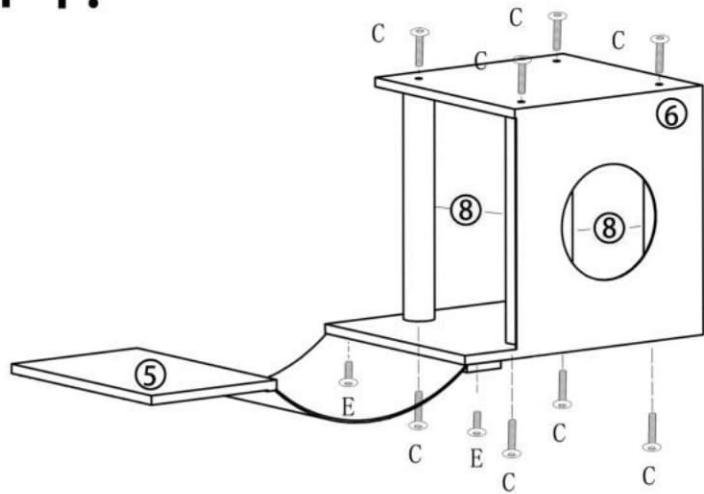






⑧ x 4pcs



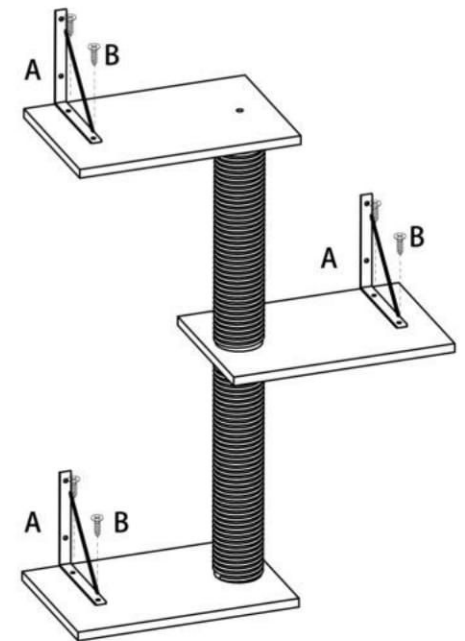
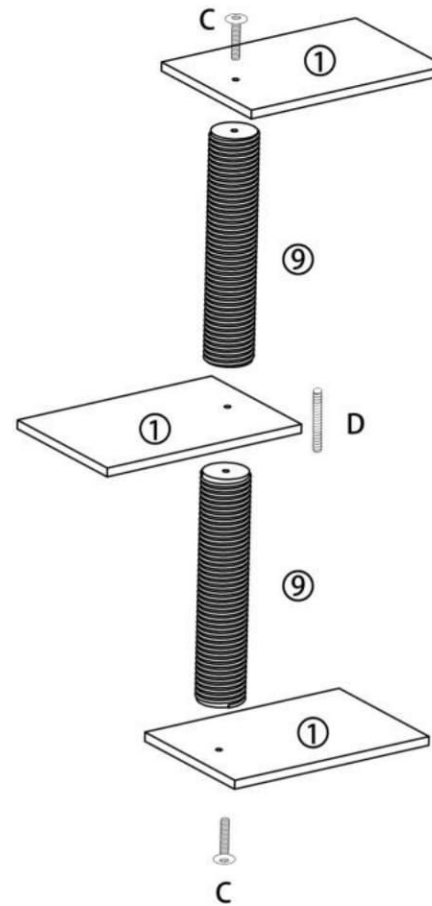
⑨ x 2pcs





STEP 1:



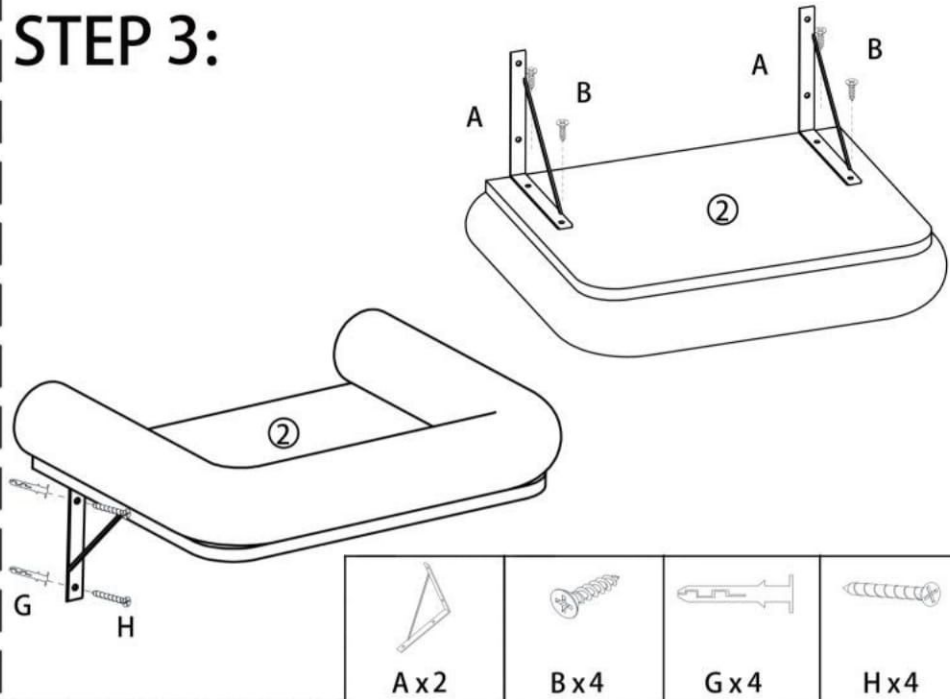
			
A x 4	B x 8	G x 8	H x 8

STEP 2:

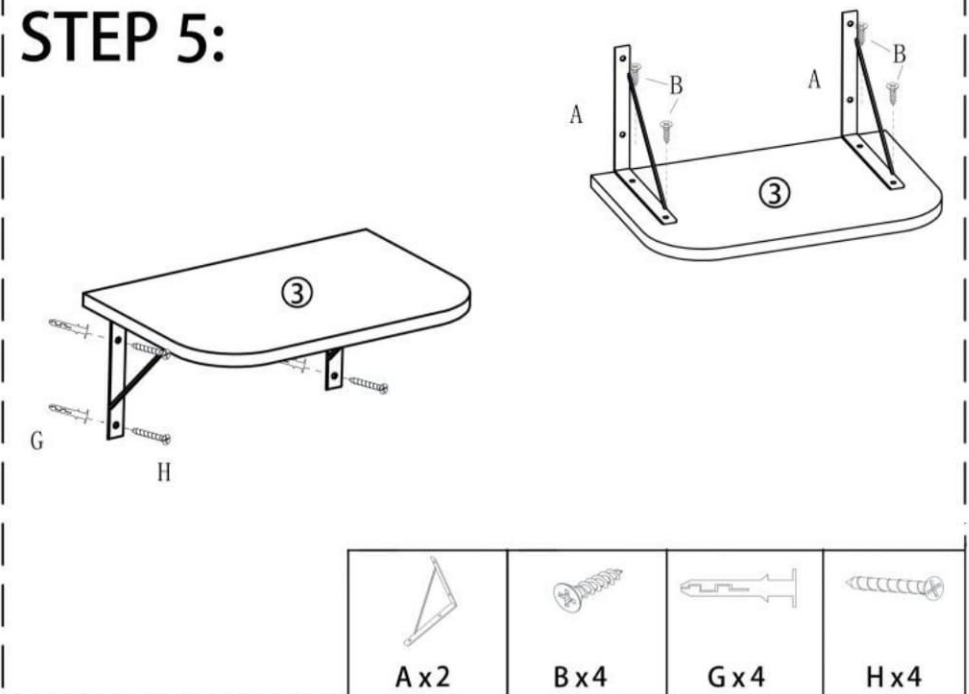


			
A x 3	B x 6	G x 6	H x 6

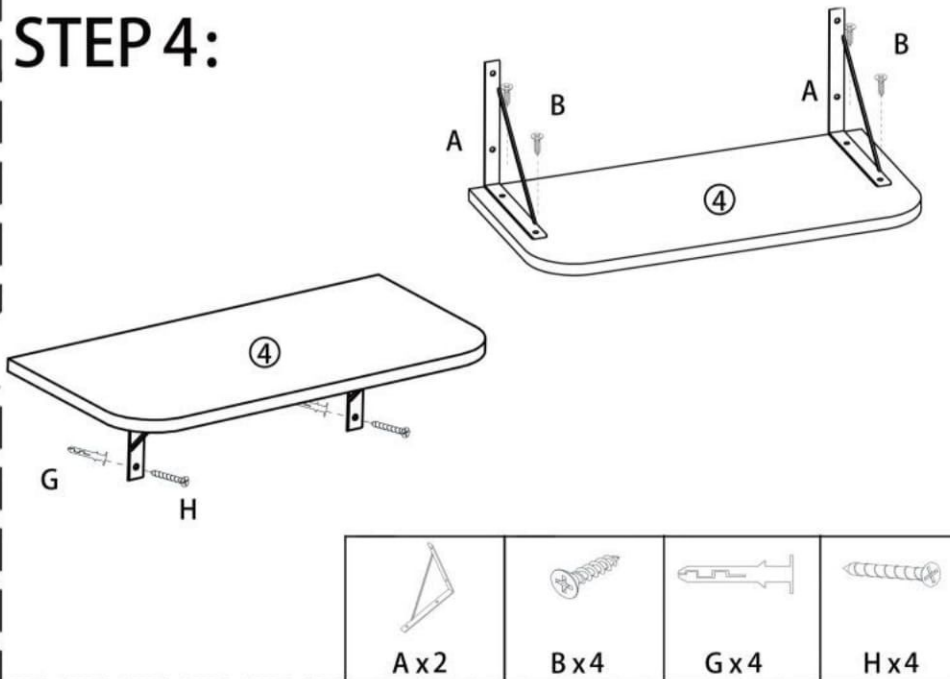
STEP 3:



STEP 5:



STEP 4:



STEP 6:

