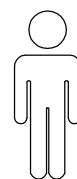
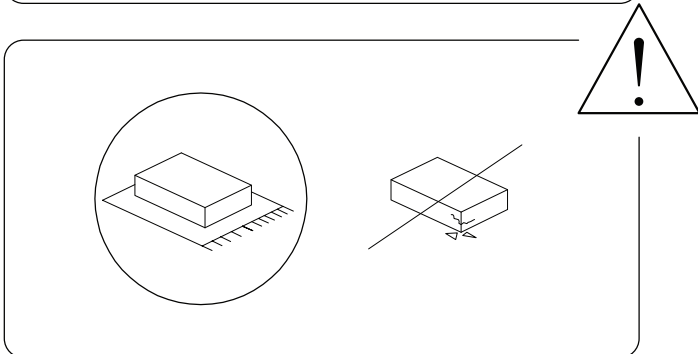
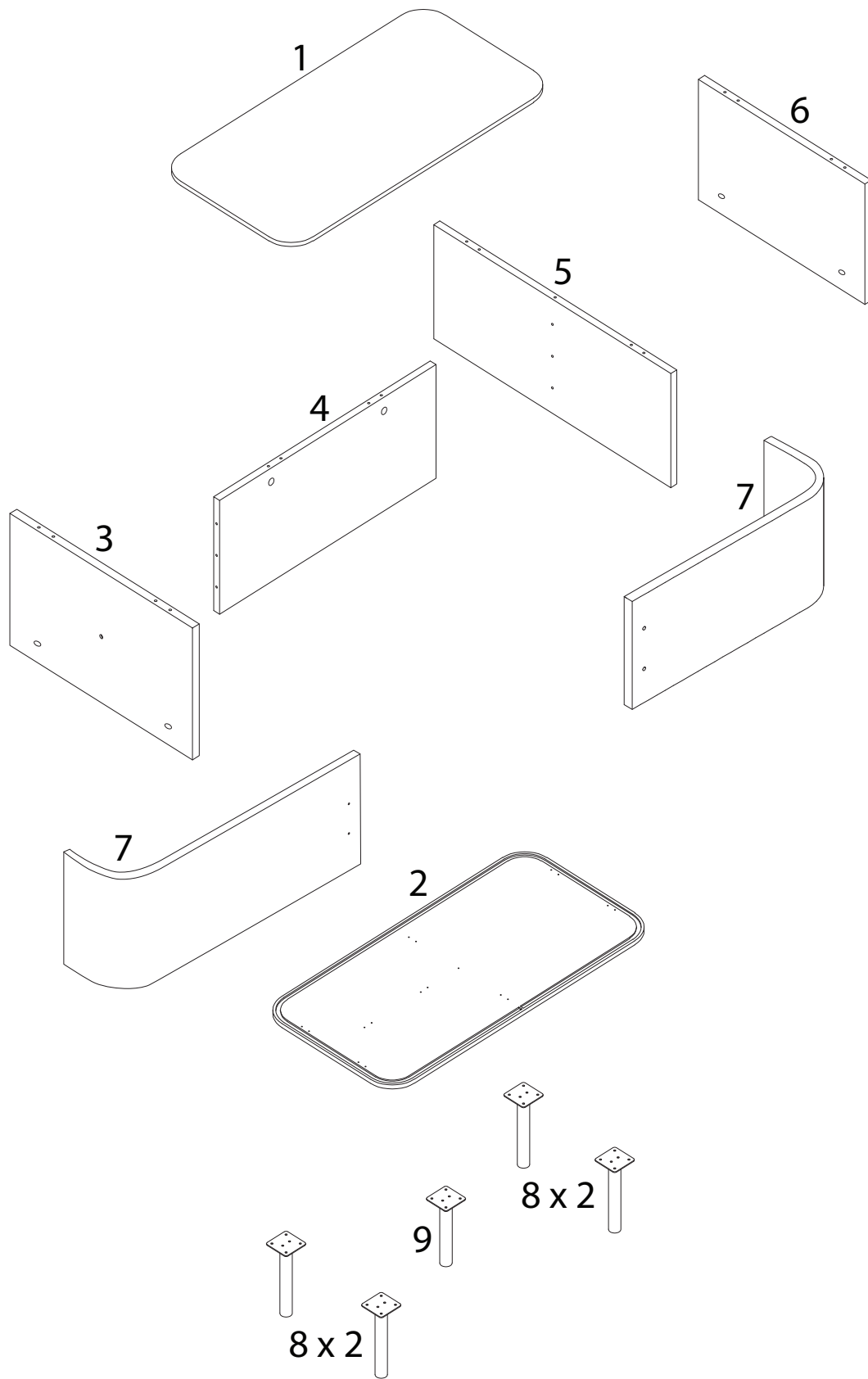
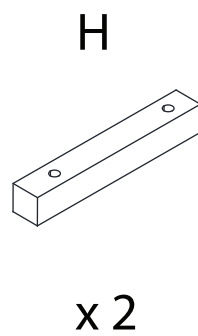
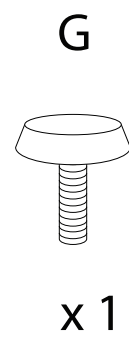
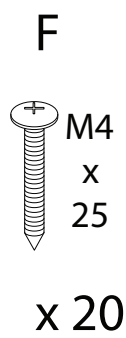
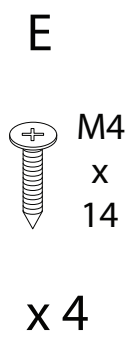
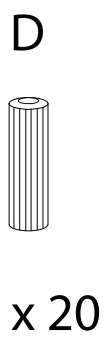
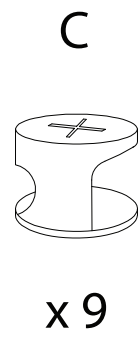
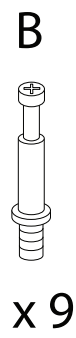
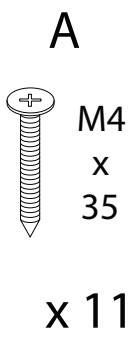
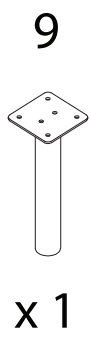
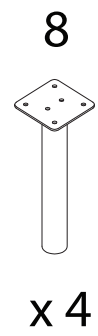
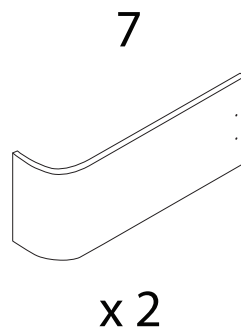
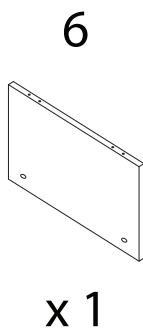
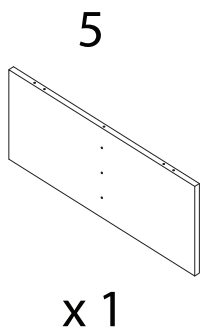
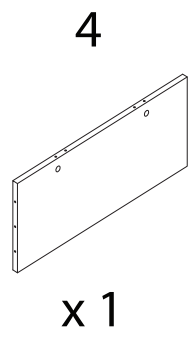
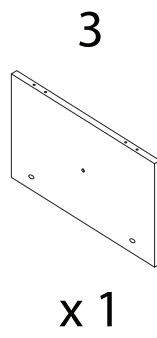
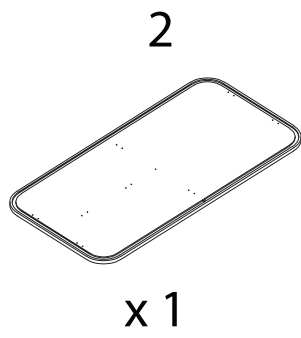
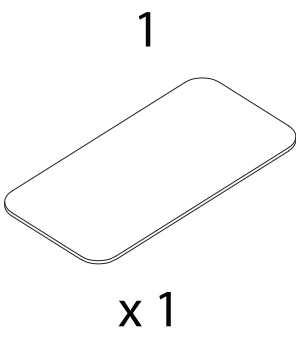


30'



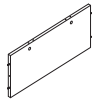
2





1

4

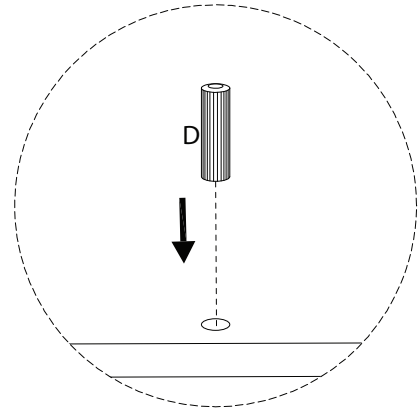
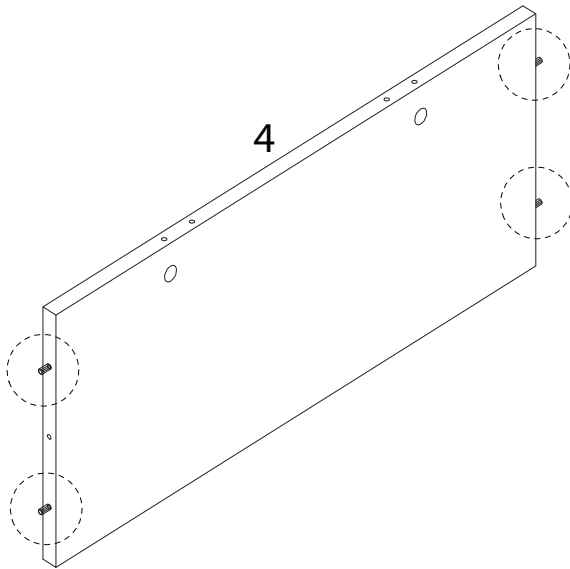


x 1

D

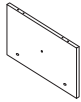


x 4



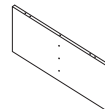
2

3

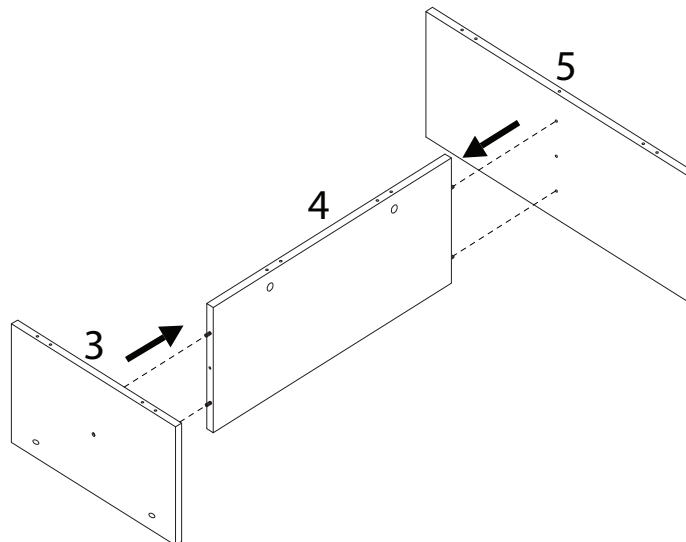


x 1

5

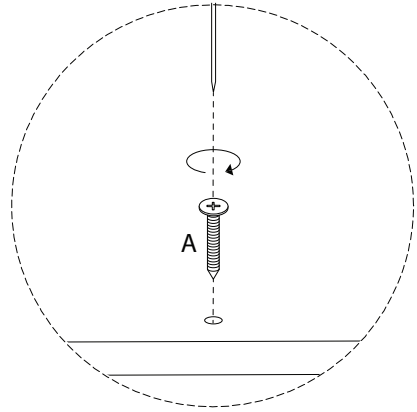
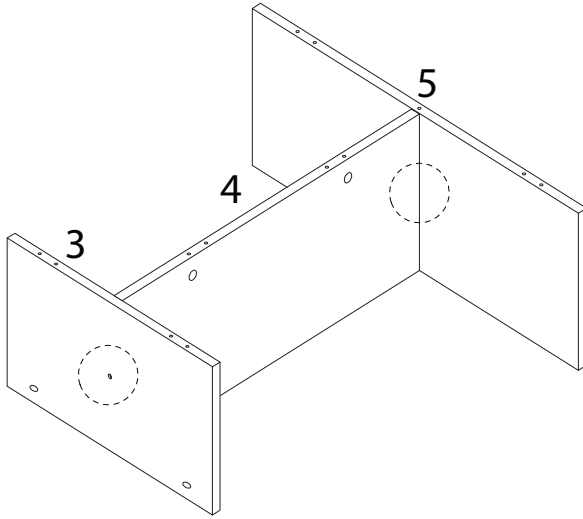


x 1



3

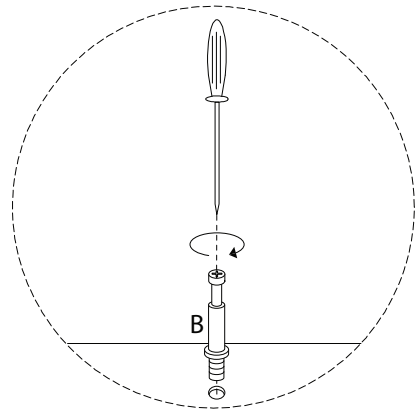
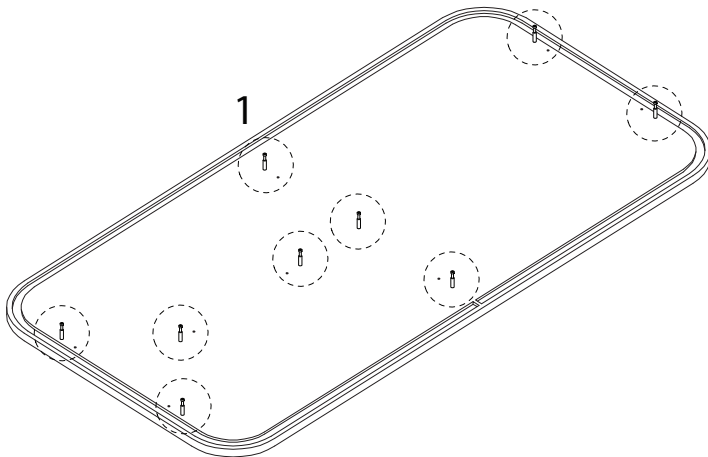
A
M4
x
35
x 2



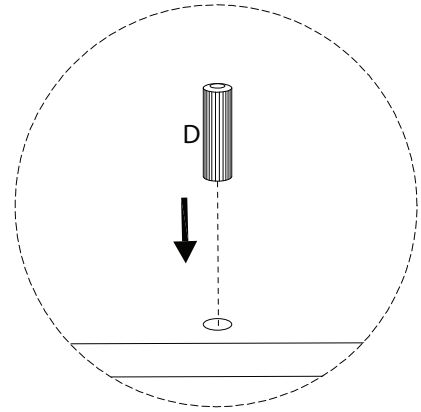
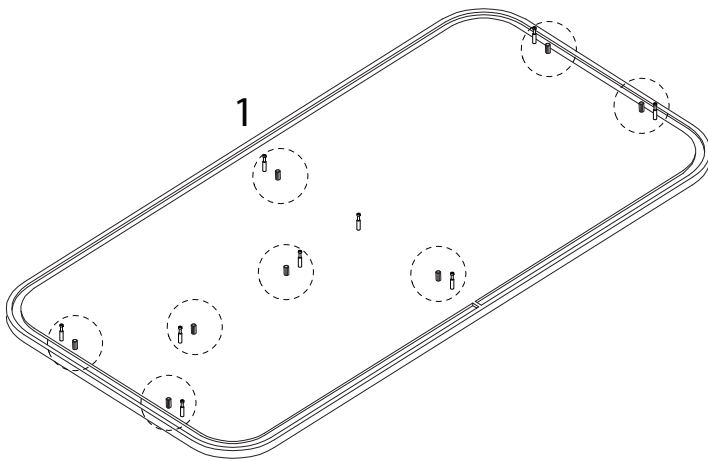
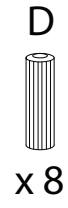
4

1
x 1

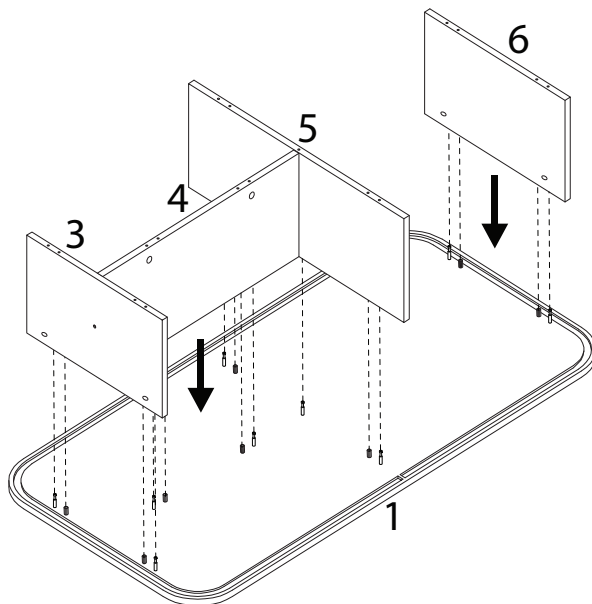
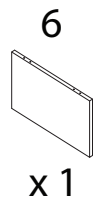
B
x 9



5



6

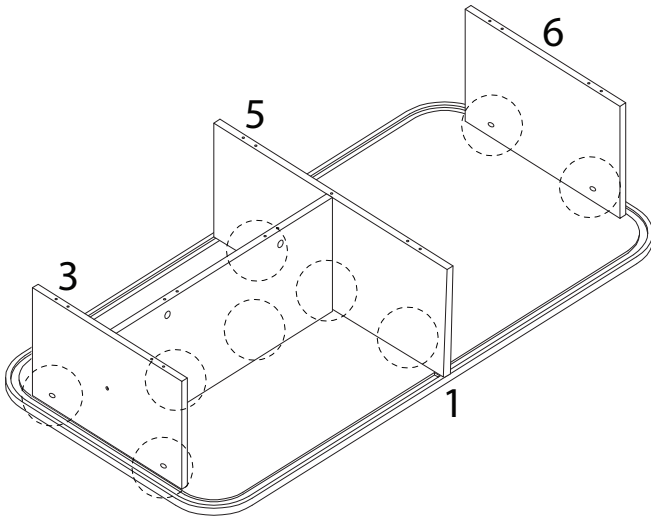


7

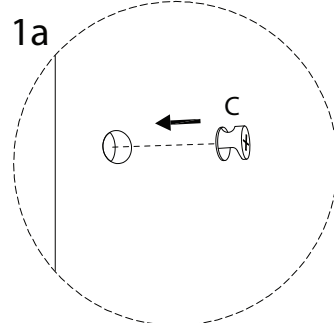
C



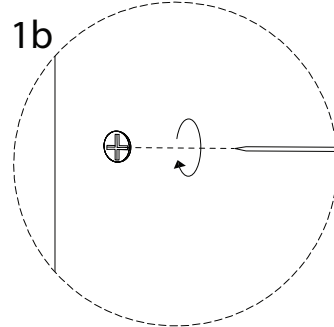
x 9



1a



1b

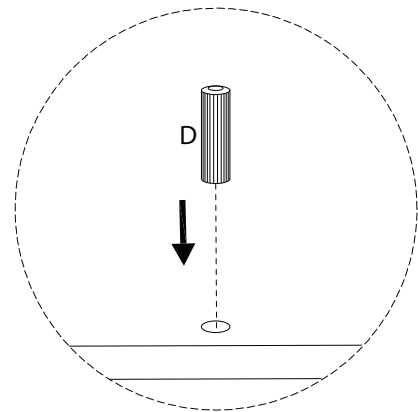
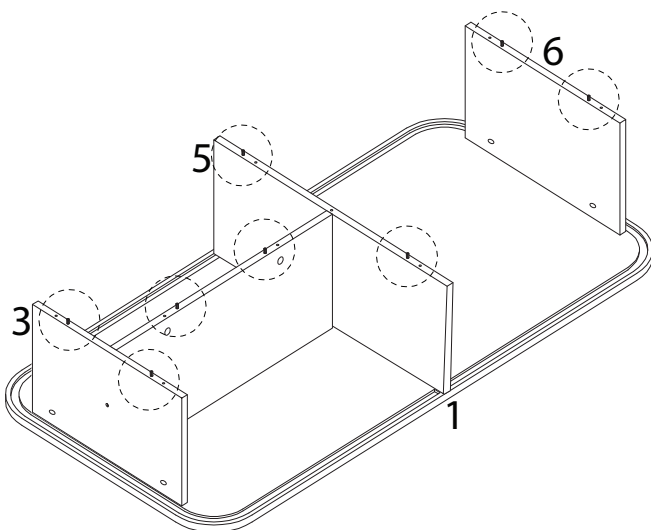


8

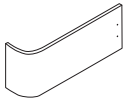


D

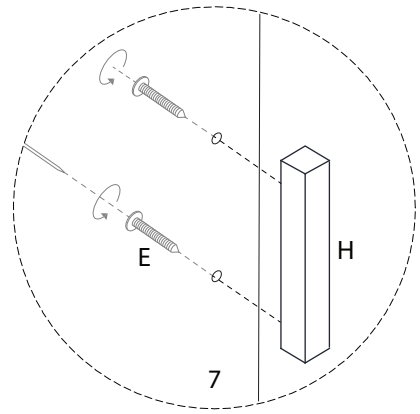
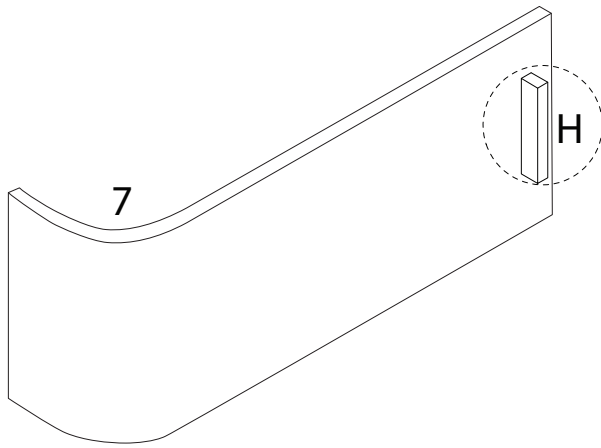


x 8

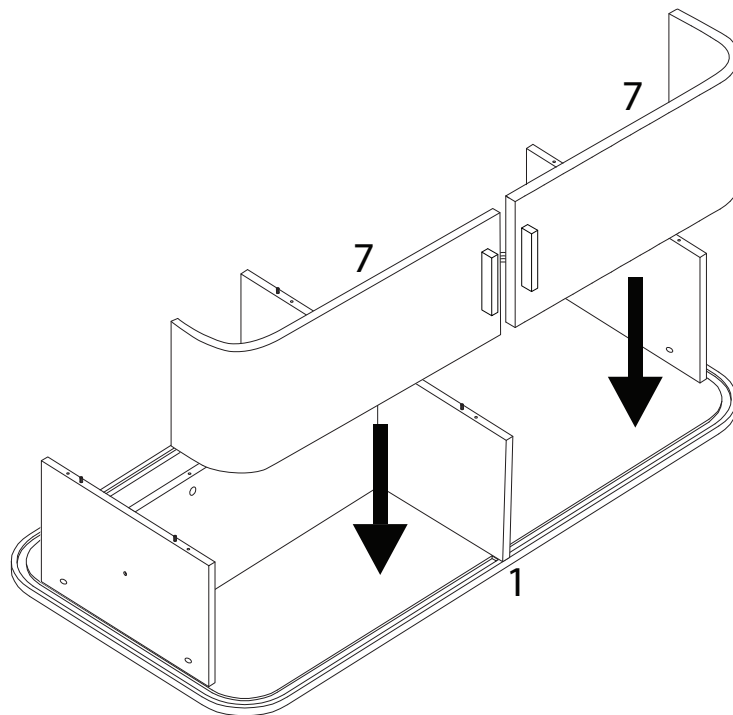


9 x 2

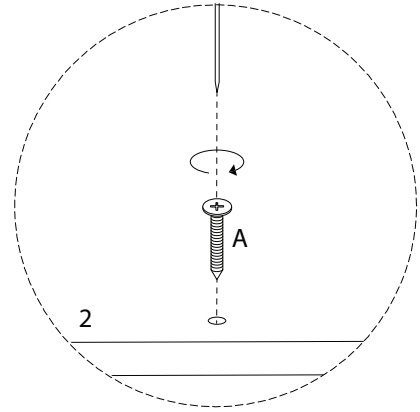
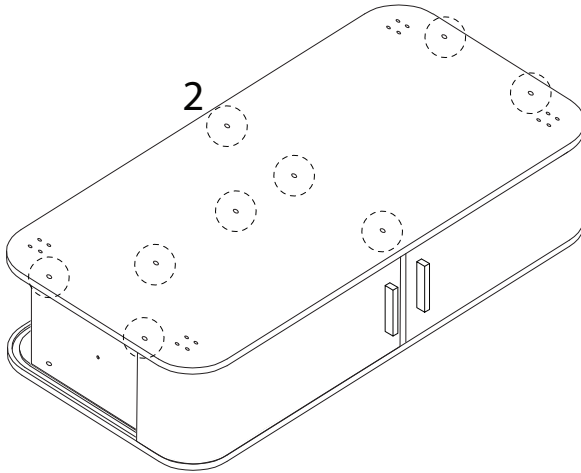
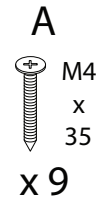
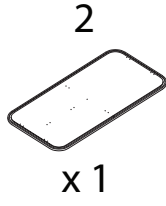
<p>7</p>  <p>x1</p>	<p>H</p>  <p>x1</p>	<p>E</p>  <p>M4 x 14</p> <p>x2</p>
--	--	---



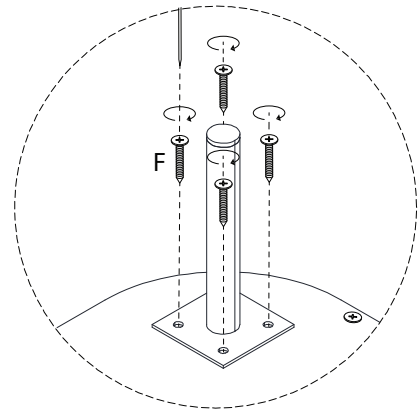
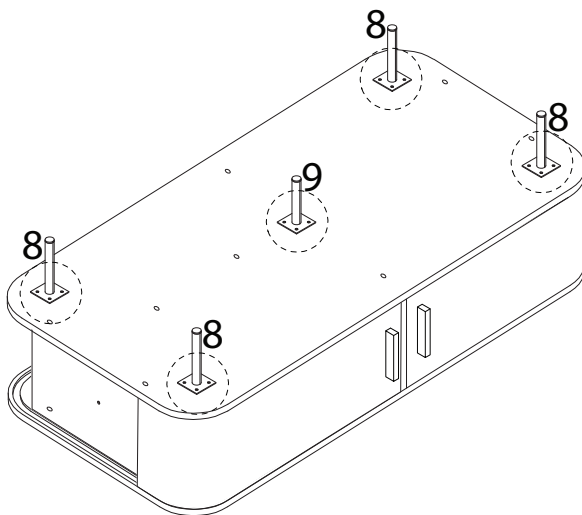
10



11



12

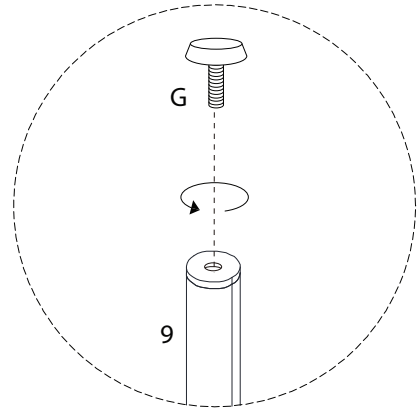
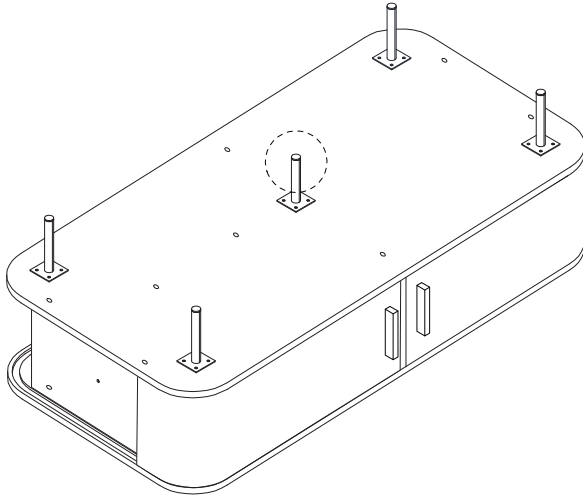


13

G



x 1



!

