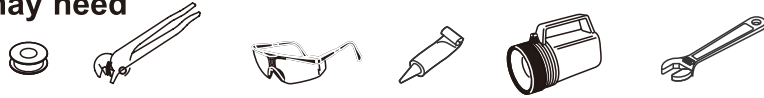


TWO HANDLE WIDESPREAD KITCHEN FAUCETS

2313300

1.8GPM 6.8L/min

You may need



For easy installation of your faucet you will need:

To READ ALL the instructions completely before beginning.

To READ ALL warnings, care, and maintenance information.

Cleaning and Care

Care should be given to the cleaning of this product. Although its finish is extremely durable, it can be damaged by harsh abrasives or polish. To clean, simply wipe gently with a damp cloth and blot dry with a soft towel.

With 1.8 gpm are compliant with California water efficiency regulations, Complies with California Proposition 65 and with the Federal Safe Drinking Water Act.

In areas with extremely low water pressure causing the faucet water flow to be unsatisfactory, replace the 2.2 gpm aerator to improve the water flow in the faucet.

Maintenance-Please Email Us

If faucet exhibits very low flow:
 A. Remove and clean aerator (1).
 B. Remove and clean the filter (2) of the hot and cold screw of the faucet.
 C. Replace valve assembly (3).
 When reinstalling parts, make sure is tightened securely with a wrench.

If faucet leaks from under handle:
 Using a wrench, ensure valve assembly (3) is tight.
 If leak persists—SHUT OFF WATER SUPPLIES.
 Replace valve assembly (3).

When reinstalling parts, make sure is tightened securely with a wrench.

If faucet leaks from spout outlet—SHUT OFF WATER SUPPLIES.

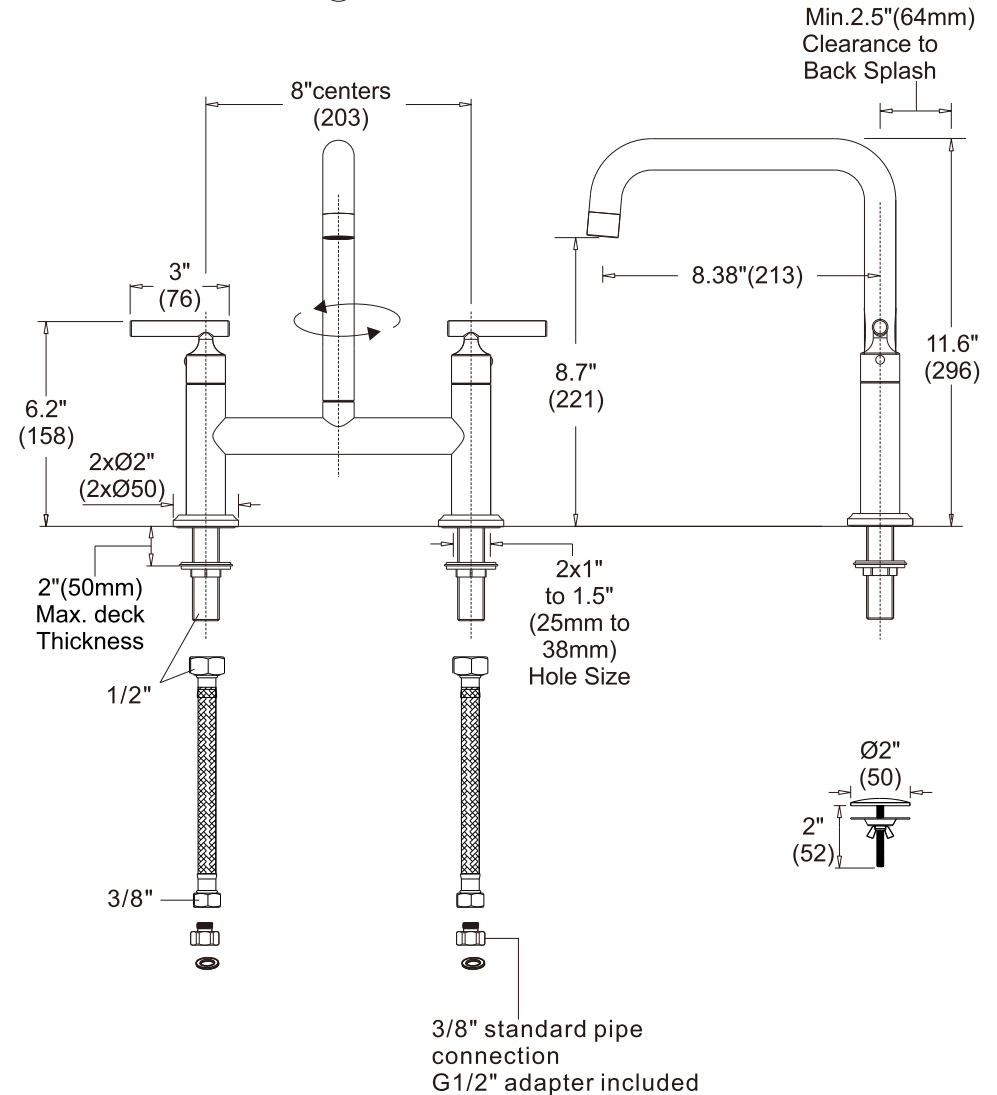
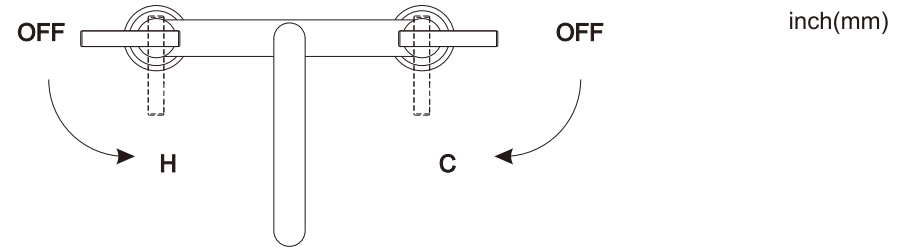
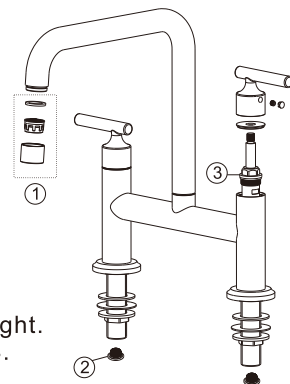
Replace valve assembly(3).

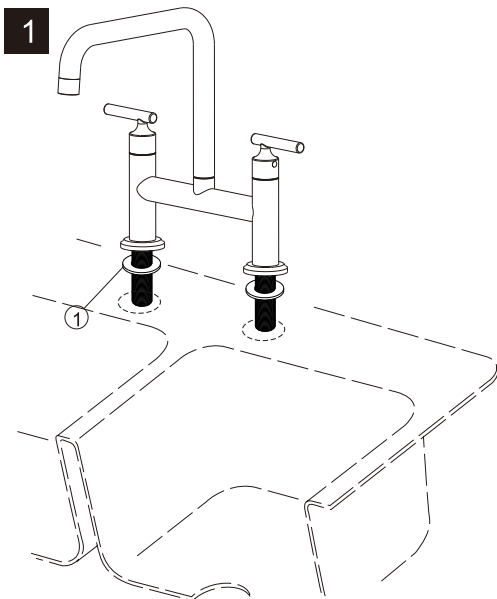
When reinstalling parts, make sure is tightened securely with a wrench.

Install valve assembly (3) correctly for proper handle rotation.

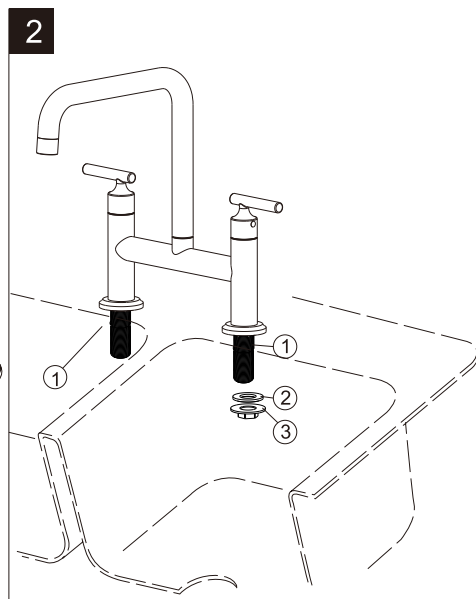
Replacement DST valves are shipped in the HOT orientation.

For COLD valve operation, lift the stop, rotate it 90 degrees clockwise and push it back down into position. Install valve with arrow toward spout.



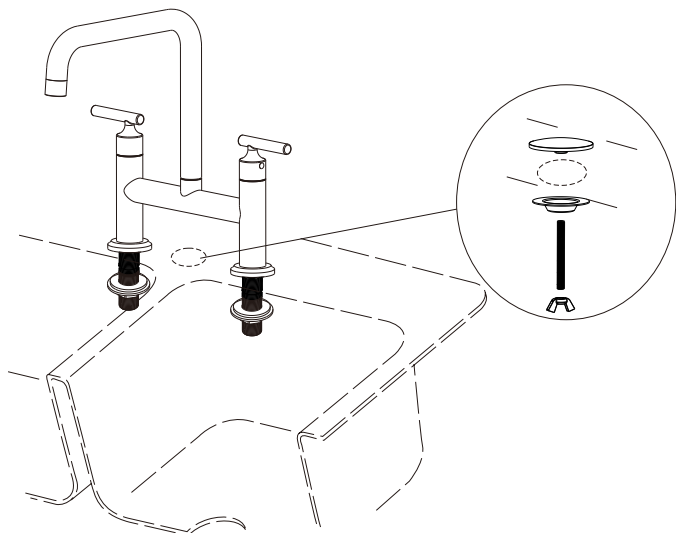


1. Make sure attach the gasket(1) to the faucet body.
 2. Slide faucet down through mounting hole on sink.
- Option: If sink is uneven, use silicone under the gasket.



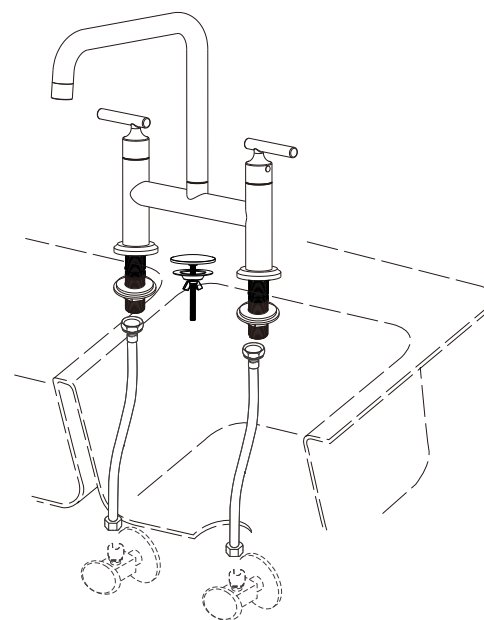
1. Place gasket(2) over mounting stud (1) under sink.
2. Screw hexagonal lock nut (3) on to mounting stud (1) and tighten.

3

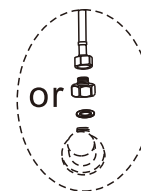


You will receive 1 piece of kitchen sink hole cover, no tools needed for installation, quick and easy way to install the sink hole cover in your kitchen.

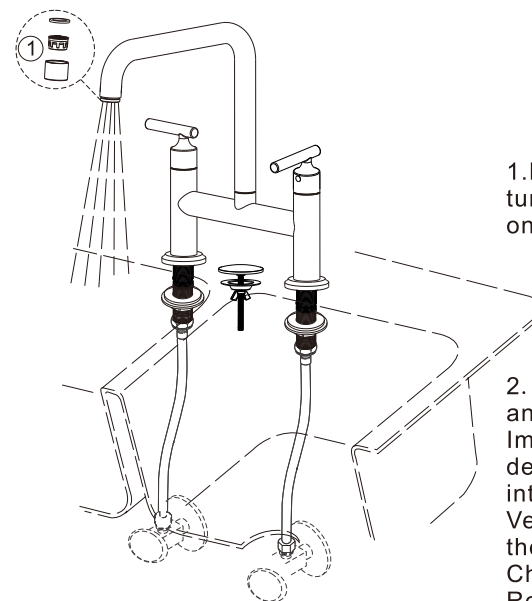
4



- Attach waterlines ,do not overtighten.
 Waterlines: 3/8" hot & cold hoses,
 If the angle is G1/2", please use G3/8" standard pipe connection G1/2" adapter included (12) .



5



1. Remove the aerator(1) by hand , turn faucet handles (2) to the full on mixed position.

2. Turn on hot and cold water supplies and flush water lines for one minute. Important: This flushes away any debris that could cause damage to internal parts. Verify theseal is attached to aerator then reinstall. Check all connections for leaks. Re-tighten if necessary, but do not overtighten.