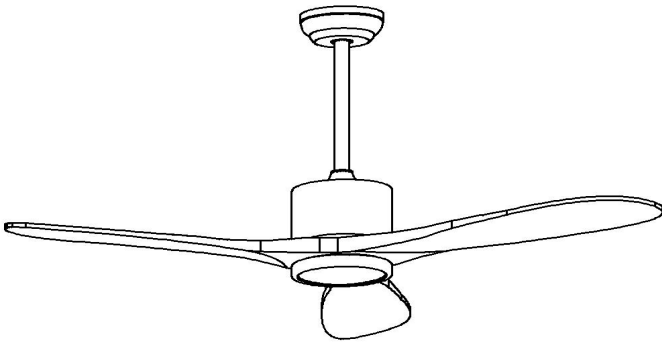


Instructions



Please keep this manual.

Be sure to read the instructions for use of this product, install and use this product in accordance with the requirements there of.

WARNING: To avoid fire, shock and serious personal injury, please read the following instructions carefully.

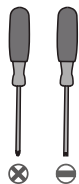
Important Safety Instructions

1. Read all instructions and safety information before installing your new fan. Review the accompanying assembly diagrams.
2. Before installing the fan, disconnect the power by removing fuses or turning off circuit breakers.
3. Make sure all electrical connections comply with local codes, ordinances, or National Electrical Codes. Hire a qualified electrician or consult a do-it-yourself wiring handbook if you are unfamiliar with installing electrical wiring.
4. Make sure the installation site you choose allows the fan blades to rotate without any obstructions. Allow a minimum clearance of 7 feet from the floor to the trailing edge of the blades.
5. If you are mounting the fan on a ceiling outlet box, use a metal outlet box. Secure the box directly to the building structure. The outlet box and its support must be able to support the moving weight of the fan (at least 50 lbs.). Do not use a plastic outlet box. Attach the mounting bracket by using the hardware supplied with the ceiling outlet box.
6. If you are mounting the fan to a joist, make sure it is strong enough to support the moving weight of the fan (at least 50 lbs.)
7. After installing the fan, make sure all the connections are secured. This will prevent the fan from fling.
8. Do not insert anything into the fan blades while the fan is operating.
9. Turn the fan off and wait for it to stop before reversing fan direction.
10. To reduce risk of electrical shock and personal injury, do not install the fan on a sloped ceiling.
11. To reduce the risk of electrical shock and personal injury, do not use this fan with any solid-state.
12. To reduce risk of personal injury, use only the two steel screws and lock washers provided with the fan for mounting the outlet

2. TOOLS AND MATERIALS REQUIRED



Ladder



Screwdrivers



11mm wrench



Pliers



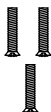
Wire Strippers



Power Drill
(optional)

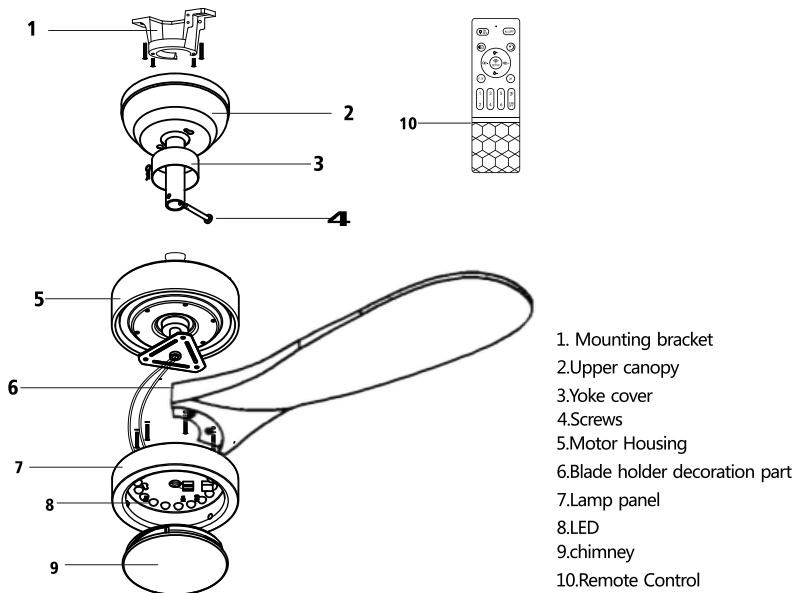


Drill Bit
(optional)

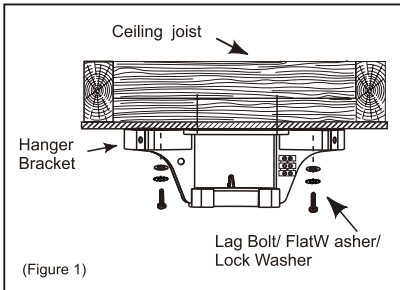


Machine
Screw

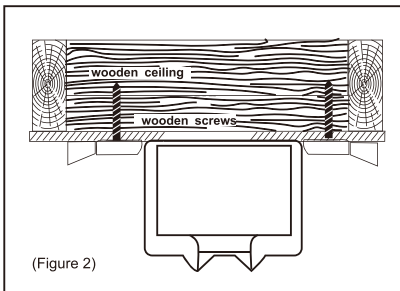
3. PACKAGE CONTENTS / THE CEILING FAN ELEMENT



4.MOUNTING BRACKET INSTALLATION



Concrete ceiling: drill two holes with an appropriate depth by a drilling bit with diameter at 8mm², then insert two pieces expansion screws in the holes, then x the hanger bracket into the expansion screws with the wood screws and tighten it with the nuts of the expansion screws. (Figure 1)



Wood Ceiling: fasten the mounting bracket to the wooden ceiling with 4 wood screws (at least 7 cm thick). (figure 2)



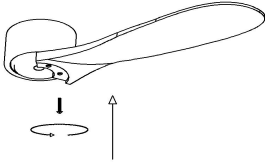
CAUTION:

Do not install the mounting bracket on roofs that have water leaks and moisture problems. The ceiling must be able to withstand a weight of 40kg or more to prevent the risk of the ceiling falling.

CAUTION:

Do not install it on uneven ceilings, the ceiling mount hangers must be fixed firmly to ensure that they are not loose.

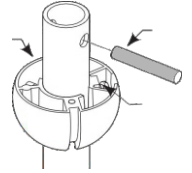
5.INSTALLATION OF THE CEILING FAN



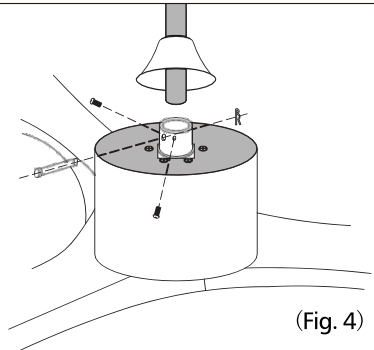
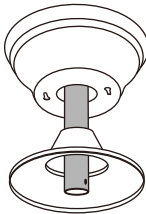
(Fig.1)

1. Loose the screw from motor.

2. Insert downrod over upper canopy, then insert the cross pin over yoke & Cotter pin and fasten the screws which fix the downrod.(Fig.2)



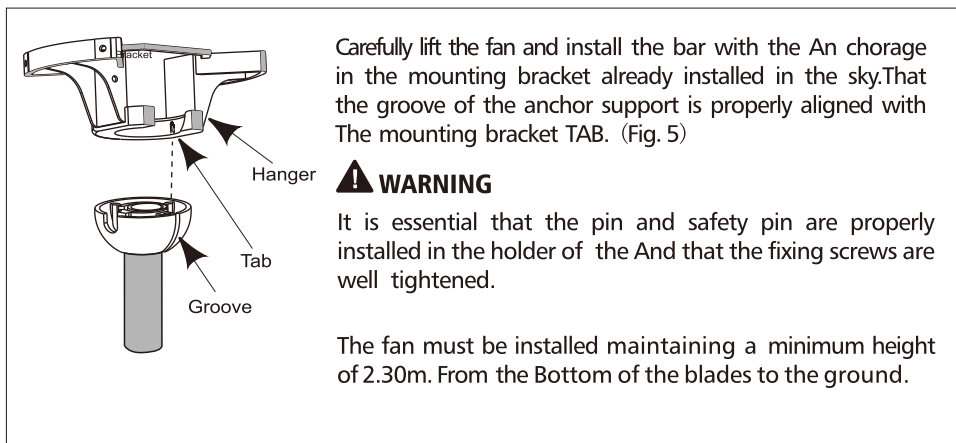
3. Remove the bar and keep the pin safe. Walk the bar through the Canopy and connection deck. (Fig. 3)



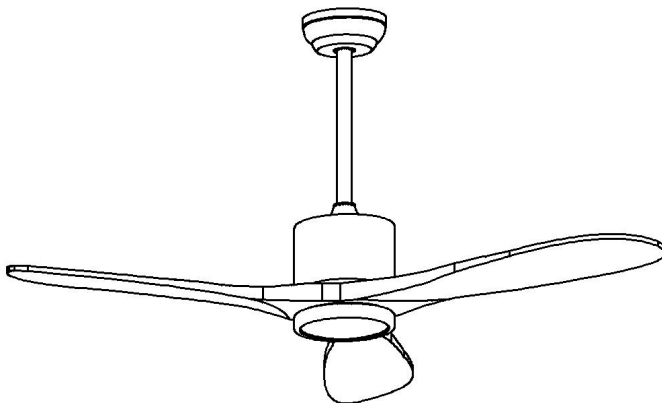
(Fig. 4)

4. Remove the bar and keep the pin safe. Walk the bar through the Canopy and connection deck.(Fig. 4)

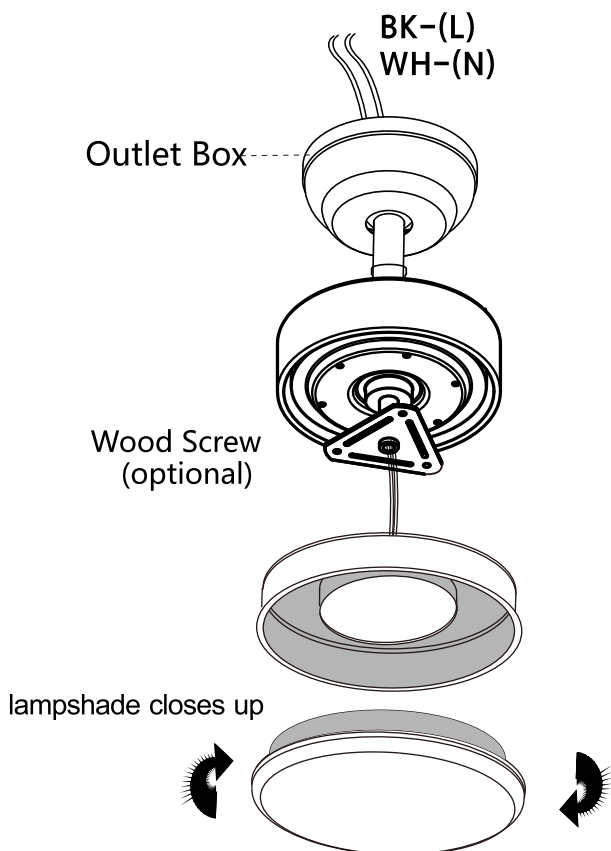
Pass the electric wires and earth wire through the bar.Align the holes in the bar with the holes in the holder to Able to insert the pin. Be sure to insert the insurance of the Pin.Finally,read just the two screws.(Fig. 4)



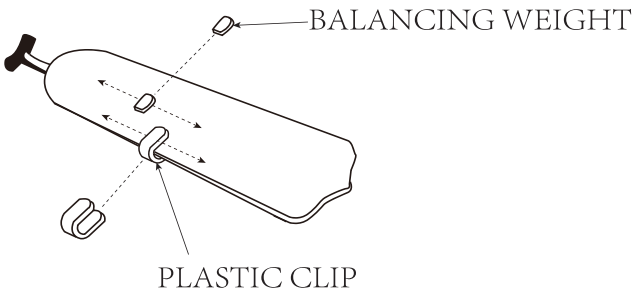
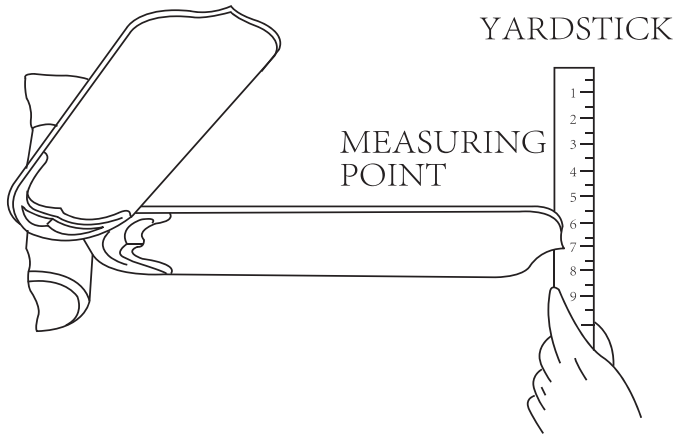
Installed diagram



Instructions



Instructions



Your ceiling fan may have wobbling problems sometimes while running due to irregularity in the blades or the blade holders. Also improper assembly in the mounting system or crooked bearings may cause some additional problems. This balancing kit can be used to X wobbling problems.

DYNAMIC BLADE BALANCING KIT FOR CEILING FANS

- Make sure that all blades are firmly screwed into the blade holder.
- Make sure all the blades are securely fastened to the motor housing and check all blades are equally spaced.
- By looking up at the fan from below, check and make sure that there are no bent blade holders and that no blades are misaligned. The blades can be corrected by bending them very slightly to return them to their original position..
- Use a yard stick to check the blade tracking. Put the yard stick up against the ceiling vertically and against the outside leading edge of a blade. Note the distance of the edge of blade to the ceiling. Carefully turn the blades slowly by hand to check there maining blades. If the blades are misaligned, the cartridge can be slightly bent up or down to align with the other blades.

After following all the steps, if the wobble problem is still not resolved, it needs to be dynamically balanced by a balancing kit.

Follow the procedure listed below:

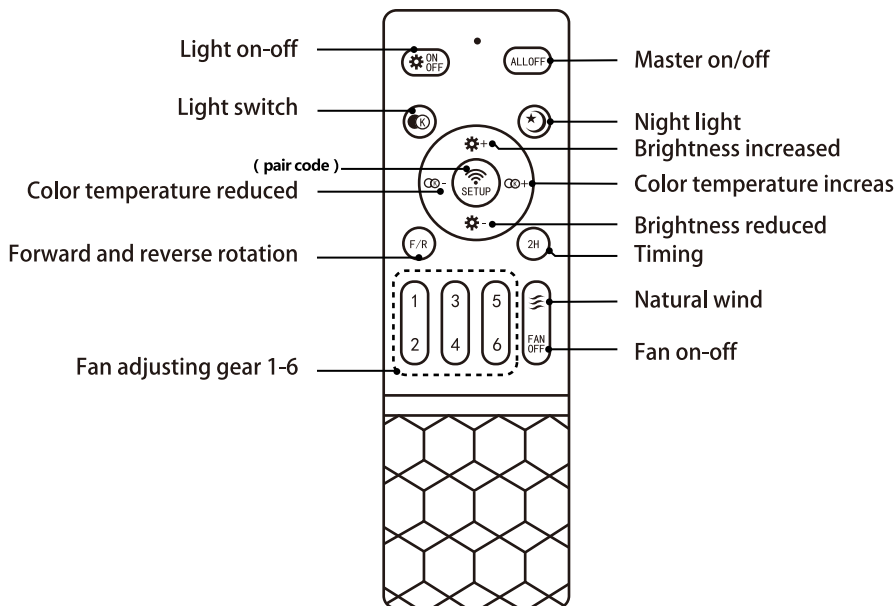
- Turn off the fan. Select a blade and place the balancing clip on it, halfway between the blade bracket and the blade tip on the trailing edge of the blade.
- Turn on the fan. Observe if the oscillation improves or worsens. Turn off the fan again and move the clip to the other blade and test again. Repeat this process for all blades, and then note the blades that have improved the most.
- Move the clip back to the blade which showed the most improvement. Move the clip inward and outward on this blade and operate the fan to find the position where the clip gives the most improvement.
- Next remove the clip and install a balancing weight to the top of the blade along the centerline near the point where the clip was positioned. Use a sharp knife or razor to separate the weights.

Caution: Stay clear of the blades. If the clip is not secure for any reason, injury may result.

MAINTENANCE

PROBLEM	SUGGESTION
1. Fan will not start	Caution: Turn off power at main circuit breaker before checking! a) Check fuses and circuit breakers. b) Check wire connections to fan. c) Check wiring connection in lower canopy. d) Check voltage at fan connection.
2. Fan too fast / slow	a) Check voltage at fan connection.
3. Fan makes noise	a) Check motor case to make sure all visible screws are snug. b) Check to make sure that all blade bracket screws are tight. c) Check for labels or wire nuts that could be rubbing. d) All ceiling fans may have a slight motor noise known as the "60 cycle hum" when used with solid state, infinite, speed controls. Especially on lower speeds. This Hum will not affect the fan performance. e) Allow a 1-week break- than a), b), c) or d) above.
4. Fan wobbles	a) Check that all blade brackets are screwed firmly to motor case. b) Check distance from tip of blades to ceiling. If blades get bent during installation, you must re-adjust them so that all blades travel on same plane. Gently bend down until all distances are the same. c) Make sure upper canopy is 1/8" from ceiling. d) Make sure that hanging bracket is secured tightly to ceiling. e) Run fan without blades if motor does not wobble, then motor is not defective but the blades maybe bent.
5. Fan control	a) Make sure to check voltage at speed control if installed, to ensure that has been properly wired, and that control is not defective or damaged during installation or connection to power source.

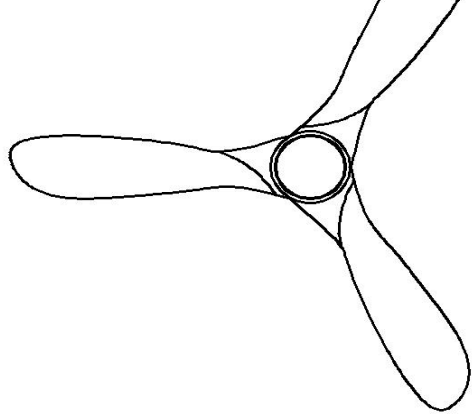
Dimmable Remote



How to programmed the remote?

First turn off the wall switch or power off (Do not provide electric) Then turn on the wall switch or power on (Provide electric), Long pres the "(OR SET UP)" button in 3 seconds for 5 seconds, Need to push in 3 seconds, After 3 seconds to push, It will not work (Please start process again from beginning). the light flashes, the remote can work normally. Re-Programming finished.

NOTE: Scan the OR code and install the APP in your phone or search and install Fanlamp pro from Google play, Apple App and the APP stores. Make sure your Phone is connected to the internet and Bluetooth enabled (This APP (Fanlamp pro) is only for dimming models)



THANK YOU FOR USING!

WARM REMINDER

1. Because of the fan's natural movement, some connections may become loose. Check the support connections, brackets, and blade attachments twice a year. Make sure they are secure.
2. Clean your fan periodically to help maintain its new appearance over the years. Do not use water when cleaning. This could damage the motor, or the wood, or possibly cause electrical shock.
3. Use only a soft brush or lint-free cloth to avoid scratching the finish. The plating is sealed with a lacquer coating to minimize discoloration or tarnishing.
4. There is no need to oil your fan. The motor has permanently lubricated bearings.