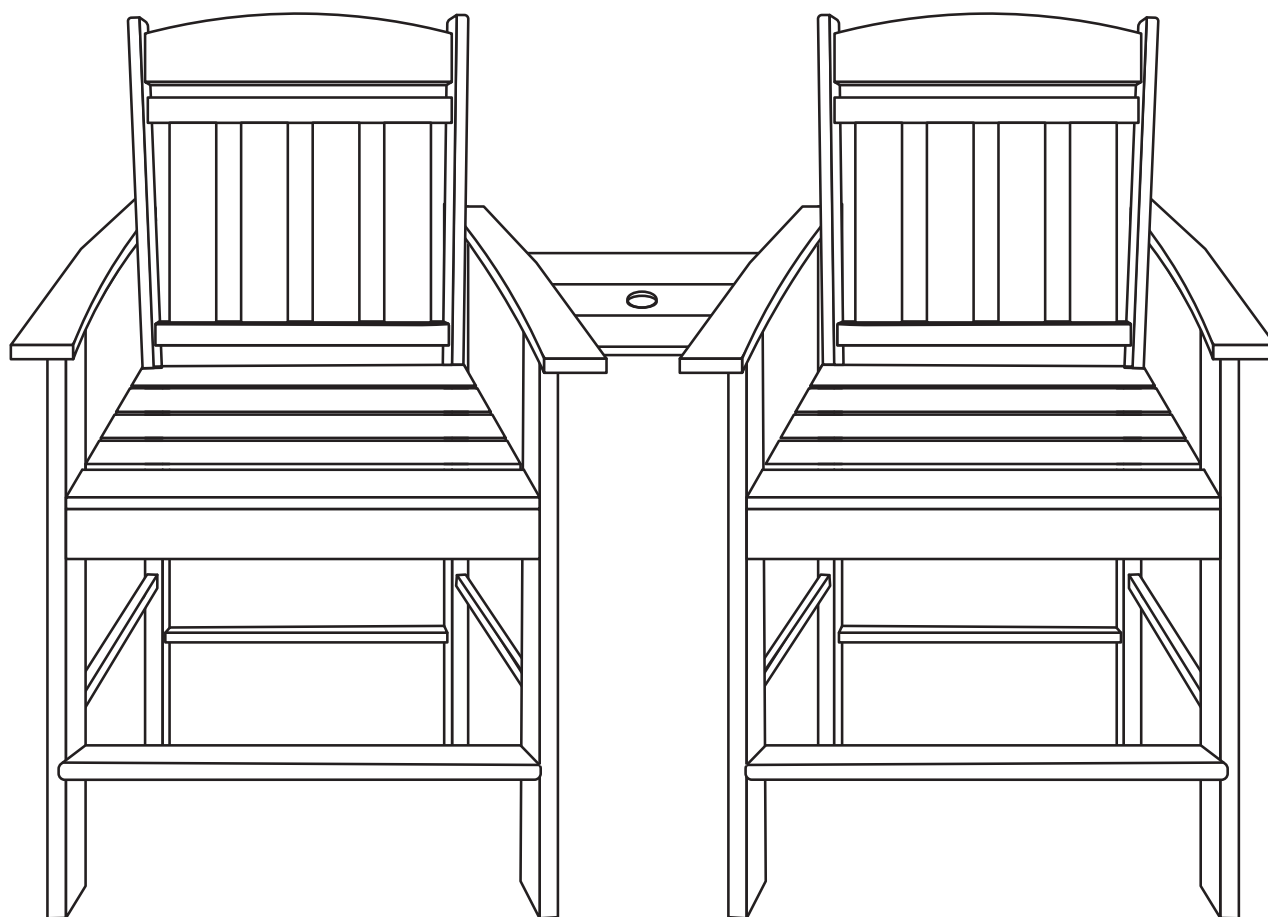


SOOHOW

Assembly Manual

Bar Chair

BC045



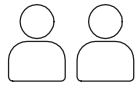
Please read this manual carefully before any operation and keep it properly for future use.

Customer Service: ecservice@isunon.com

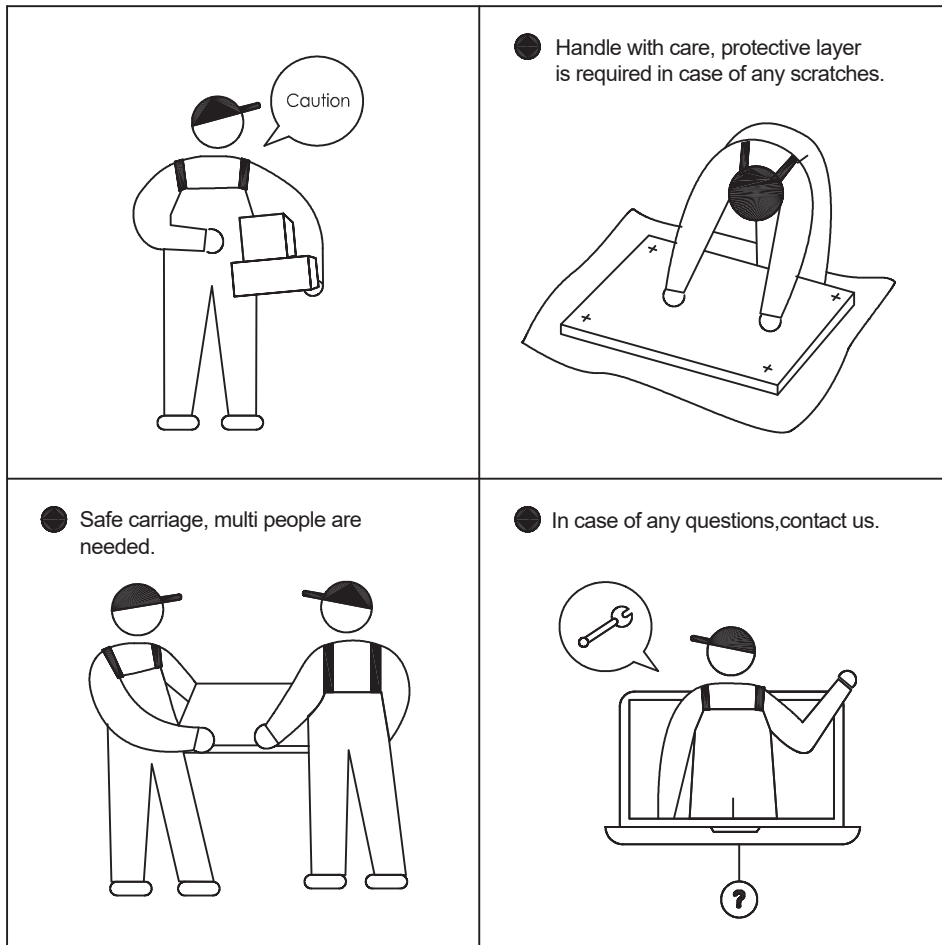
Assembly note:

20_{min}

Assembly Time



Two People

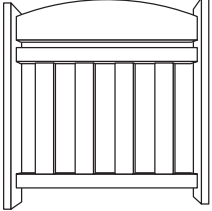
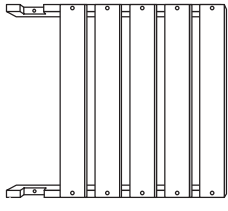
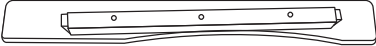
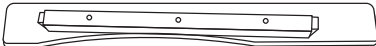
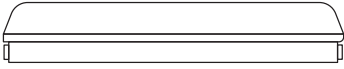




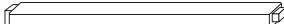

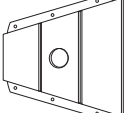
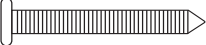


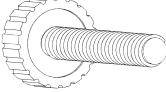





CONTACT US

If you have any problems or concerns about your purchase, please get in touch with our customer service (ecservice@isunon.com) as soon as possible and we will do everything we can to help.

You will be highly appreciated if you can put your order number in the email title so that we can deal with it efficiently.

Components List

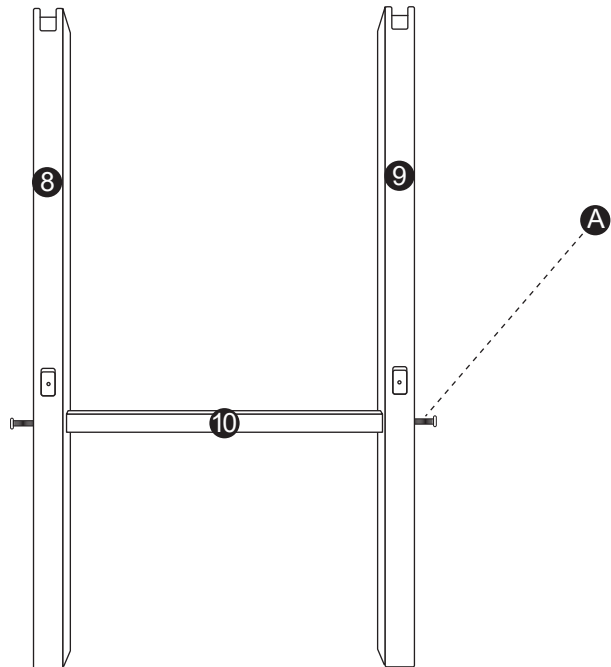
NO.	PARTS	QTY	NO.	PARTS	QTY
1		2	2		2
3		2	4		2
5		2	6		2
7		2	8		2
9		2	10		2
11		2	12		1
A	 M6*60mm	12+2	B	 M6*60mm	16+2
C	 M6*100mm	16+2	D		4+1
E		1	F		16+2
G		1			

Note: The number after "+" sign indicates the extra piece(s).

Assembly Instruction

STEP1

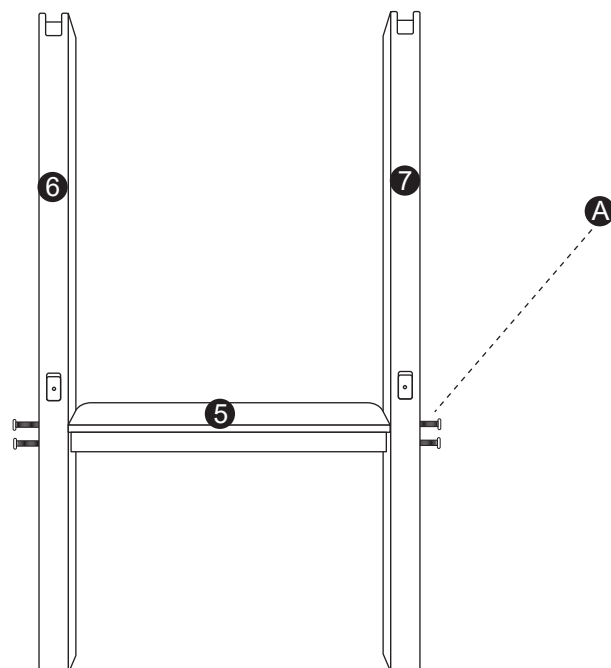
Attach parts 8, parts 9 to parts 10 with screws A as shown in the diagram.



It must be loosened 80% first, and then all screwed on.

STEP2

Attach parts 6, parts 7 to parts 5 with screws A as shown in the diagram.

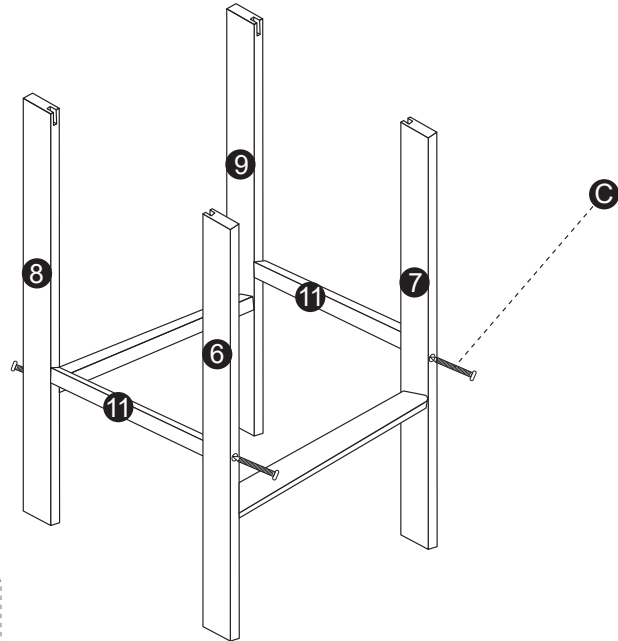


It must be loosened 80% first, and then all screwed on.

Assembly Instruction

STEP3

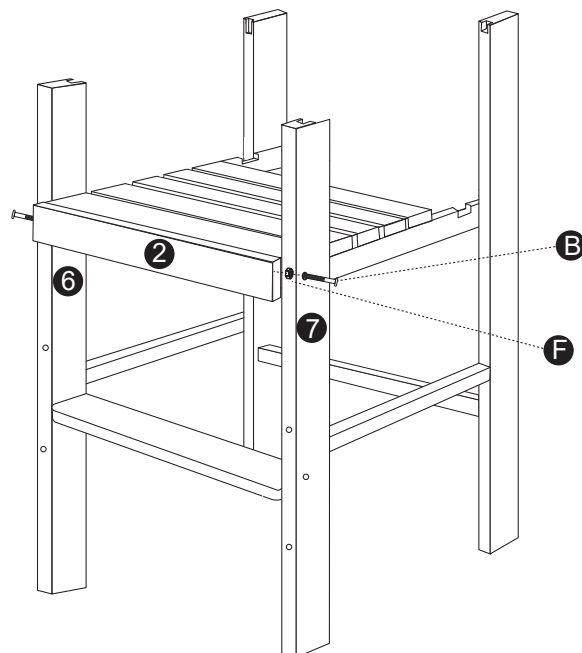
Attach parts 6, parts 8 to parts 11 with screws C, Attach parts 7, parts 9 to parts 11 with screws C as shown in the diagram.



It must be loosened 80% first, and then all screwed on.

STEP4

Attach parts 6, parts 7 to parts 2 with bolts B and nut F as shown in the diagram.

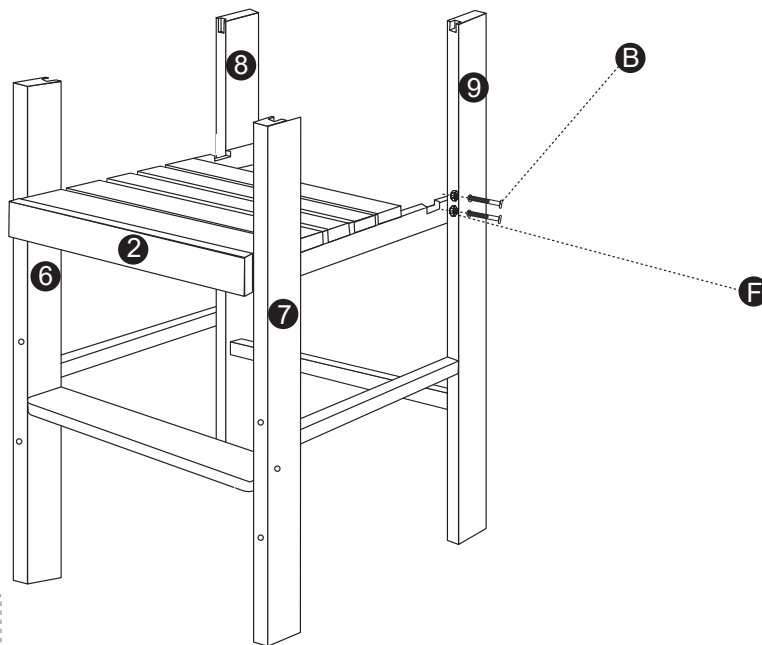


It must be loosened 80% first, and then all screwed on.

Assembly Instruction

STEP5

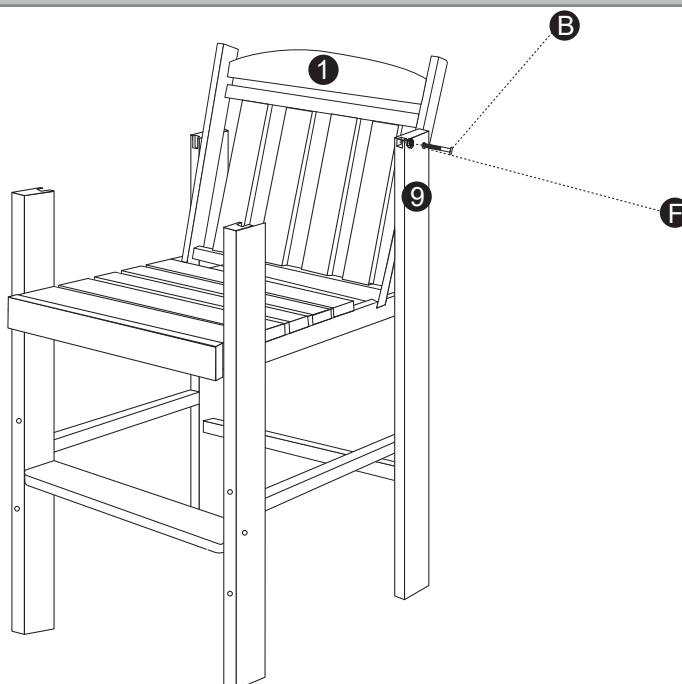
Attach parts **8**, parts **9** to parts **2** with bolts **B** and nut **F** as shown in the diagram.



It must be loosened 80% first, and then all screwed on.

STEP6

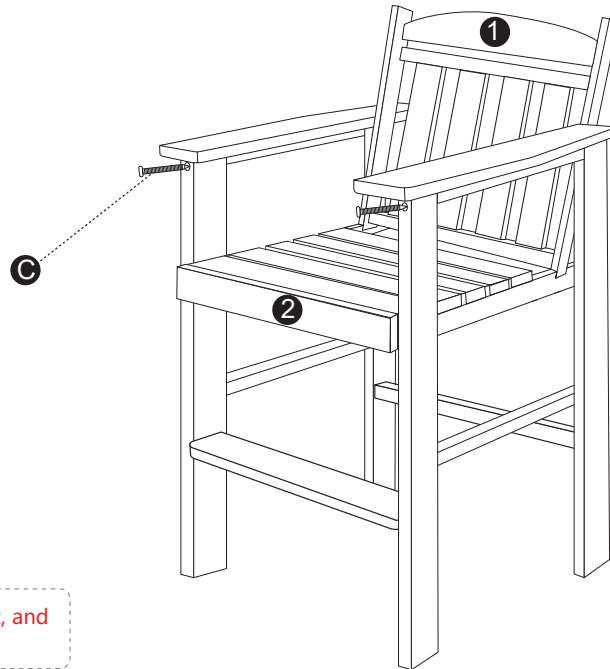
Attach parts **8**, parts **9** to parts **1** with bolts **B** and nut **F** as shown in the diagram.



Assembly Instruction

STEP7

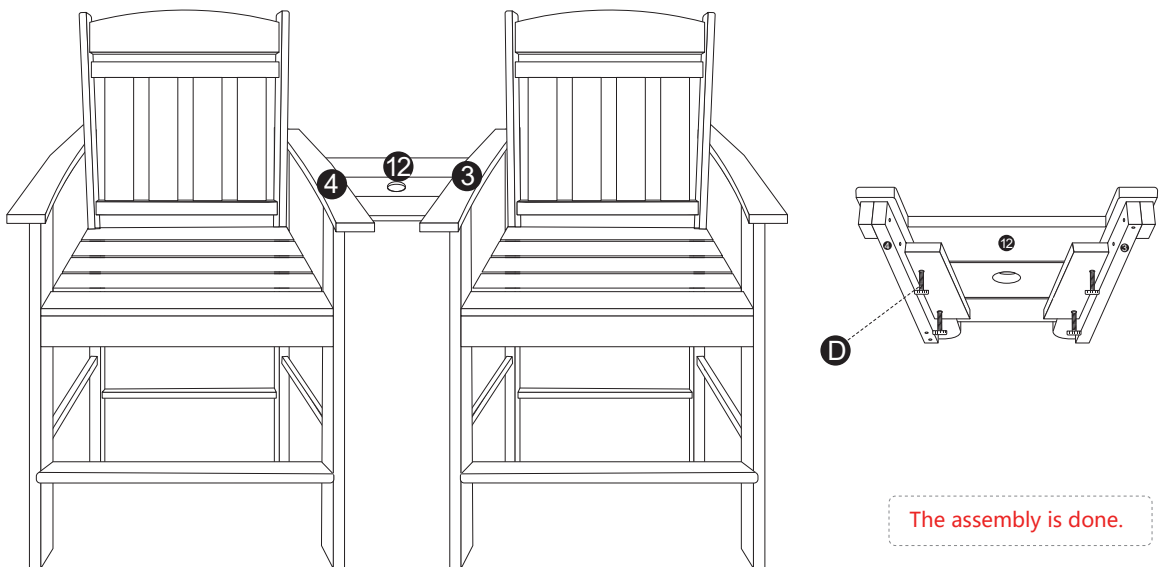
Attach parts 3, parts 7 to parts 9 with screws C, Attach parts 4, parts 9 to parts 1 with screws C as shown in the diagram.



It must be loosened 80% first, and then all screwed on.

STEP8

Attach parts 3, parts 4 to parts 12 with bolts D as shown in the diagram.



The assembly is done.