

# INSTRUCTION MANUAL

---

## 10FT x 10FT Gazebo with Side Walls and Netting SZ-C41-MDRG1010NP

IF YOU PURCHASED THE PRODUCT ONLINE AND HAVE ANY  
QUESTIONS OR CONCERNS PLEASE  
CONTACT US WITH EMAIL OR TEXT

EMAIL: [yardsightfurniture@outlook.com](mailto:yardsightfurniture@outlook.com)

TEXT: +1 323-400-0363

100603

Thank you for your purchase of Gazebo and follow this assembly and operation guide.

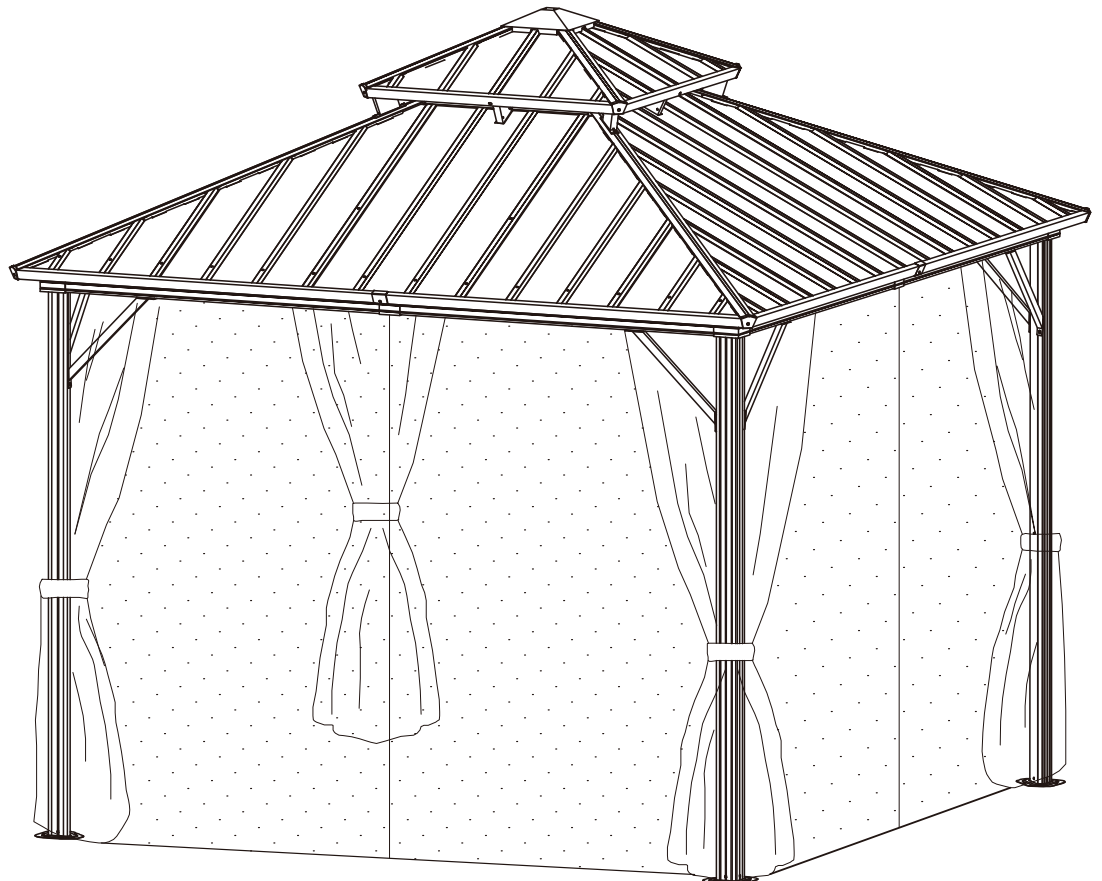
To reduce personal injury and damage to your gazebo, please attach your gazebo curtain to the post when it is incoming over **20 mph** wind.

We recommend a **five-person team** for assembly and disassembly.

If you like our products,  
please follow more.

# Care and Cleaning

- Wash frame parts and fabric with mild soap and water, rinse thoroughly.
- Dry the frame completely and allow the fabric to drip dry.
- Do not use bleach, acid, or other solvents on the fabric or frame parts.
- Please inspect and tighten all bolts or fasteners on a regular basis to ensure the proper performance and safety of your gazebo.



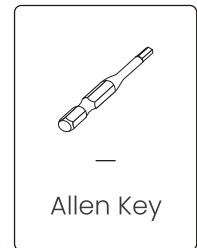
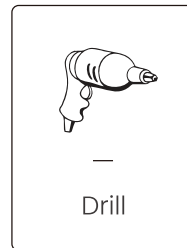
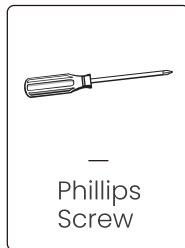
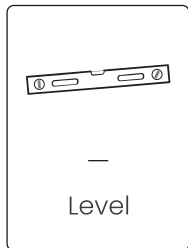
# Warnings and Cautions

- Please retain this instruction for future usage and read carefully before assembly.
- Make sure you have all the parts & hardware as the item list shows.
- 5 adults or more are recommended to install your gazebo.
- Do not discard any of the packaging until you have checked that you have all the parts and pack of fittings.
- Check all bolts for tightness before use, and periodically check and tighten bolts to ensure your gazebo works properly.
- Some parts might have sharp edges/corners. Please follow basic safety precautions to reduce the risk of hurt.
- It is essential to place the gazebo on level ground and not less than 6 feet from any obstruction such as fences, garages, the house, overhanging branches, laundry lines, or electrical wires.
- Lastly, be careful the parts are not swallowed by pets and kids.

# Pre-assembly

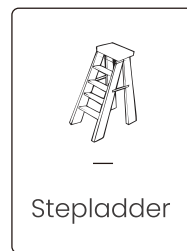
## TOOLS THAT MAY BE REQUIRED (NOT included in the boxes)

\*NOTE: Tools / equipment are not shown to actual size and scale



## EQUIPMENT REQUIRED (NOT included in the boxes)

\*NOTE: Equipment are not shown to actual size and scale



# Matters needing attention



Five or more people are required for assembly.



Do not fully tighten screws prior to complete assembly.

# Warranty

## One Year Warranty

### Frames

---

Frames constructions are warranted to be free from defects in material and workmanship for 1 year from item purchased. Damage to frame from negligence won't be covered by this warranty.

### Bolts & nuts

---

Bolts and nuts are warranted to be free from defects in material and workmanship for 1 year from item purchased. Damage from exposure to chemicals (including not only oils, spills, fluids) won't be covered by this warranty.

### Curtains & Netting

---

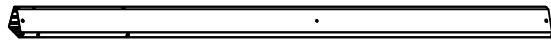
Curtains and netting are warranted to be free from defects in material and workmanship for 1 year from item purchased. Damage from exposure to chemicals (including but not only oils, spills, fluids) won't be covered by this warranty.

### Warranty Limitation

---

This warranty is for the original purchase order only. (Order number required). This warranty is non-transferable.

Carton-1/3		Carton-1/3		Carton-3/3	
Part	Qty	Part	Qty	Part	Qty
A8	4	M1	1	W10	2
C13	4			D16	4
C14	4			T	4
D8	4			T1	4
D15	4	Carton-2/3		1.2.4.5.6.7.8.9. 10.12.13.14.15.16	1
D19	4	Part	Qty		
F6	4	X1	4		
F7	4	X2	4		
G1	4	X13	4		
I1	4	X14	4		
O	8	X17	4		
K1	4	S1	4		
K2	4	S2	4		
V	4	W9	4		
N1	4	W10	2		
N	12				
Q1	4				
Q5	8				
Q6	4				
J	4				
Y	64				
U1	96				
P1	4				
Z	48				
Z1	16				
Z2	8				
V1a	2				
V1b	2				
L1B	1				



A8 4x



W9 4x



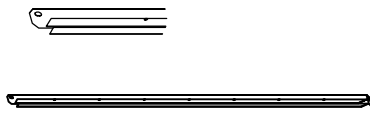
W10 4x



D19 4x



D8 4x



C13 4x



C14 4x



G1 4x



I1 4x



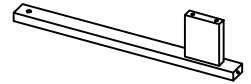
D16 4x



F6 4x



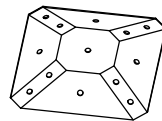
F7 4x



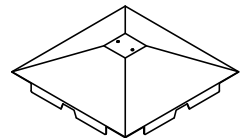
D15 4x



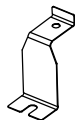
O 8x



L1B 1x



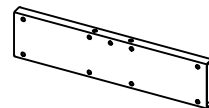
M1 1x



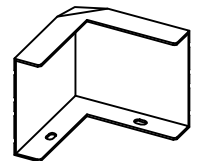
V 4x



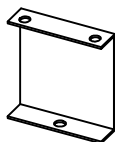
J 4x



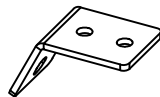
P1 4x



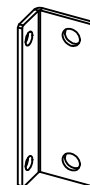
K1 4x



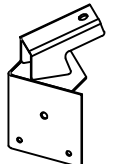
K2 4x



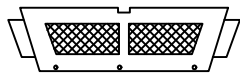
Q1 4x



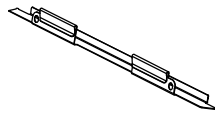
Q5 8x



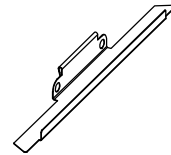
Q6 4x



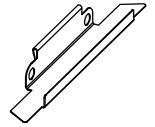
V1a 2x + V1b 2x



Z 48x



Z1 16x



Z2 8x



Y 64x



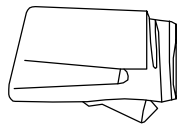
U1 96x



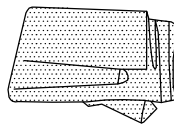
N 12x



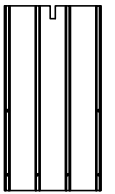
N1 4x



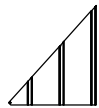
T 4x



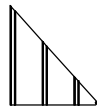
T1 4x



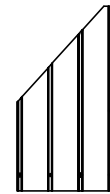
X17 4x



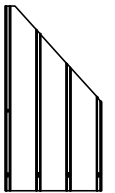
X1 4x



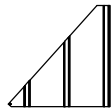
X2 4x



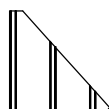
X13 4x



X14 4x



S1 4x

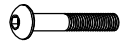


S2 4x



M5x15

15 16x



M6x35

16 8x



M6x15

1 144x



M6x23

2 56x



ST 4.8x12

4 8x



5 1x



M5x12

6 8x



M6x45

7 8x



8 16x



M6x10

9 8x



10 12x



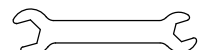
4mm

12 2x



M6x10

13 12x

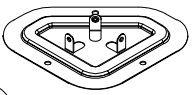


14 1x

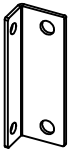
<1>



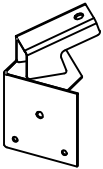
A8 4x



J 4x



Q5 8x



Q6 4x



M6x15

1 12x



M5x12

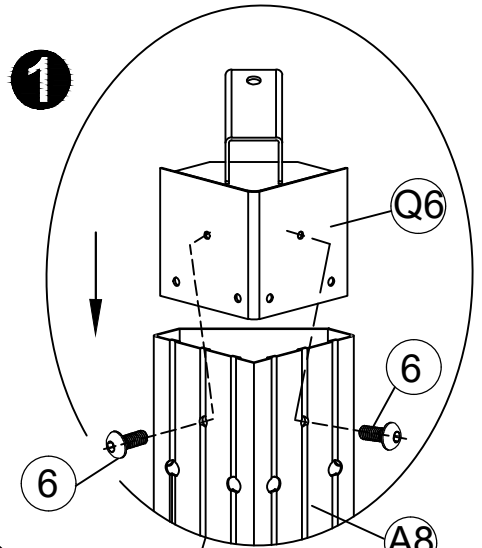
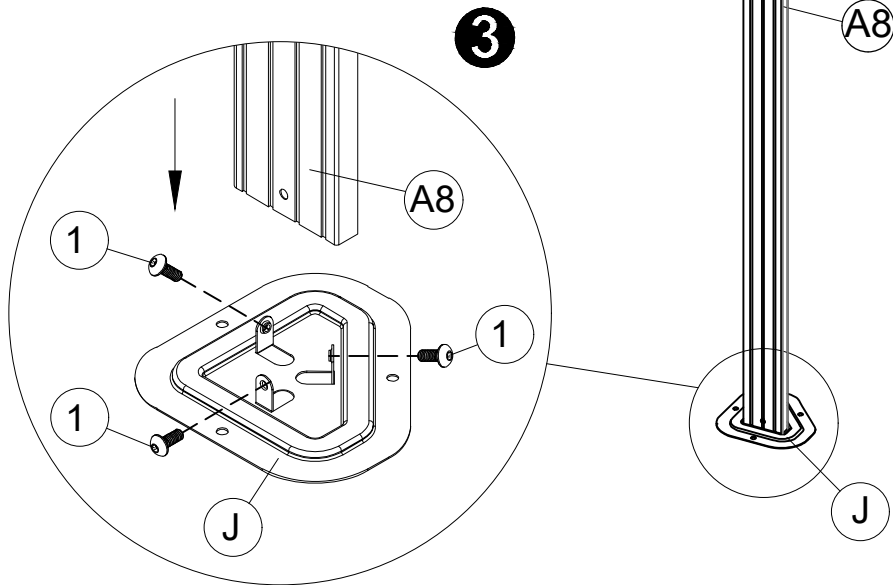
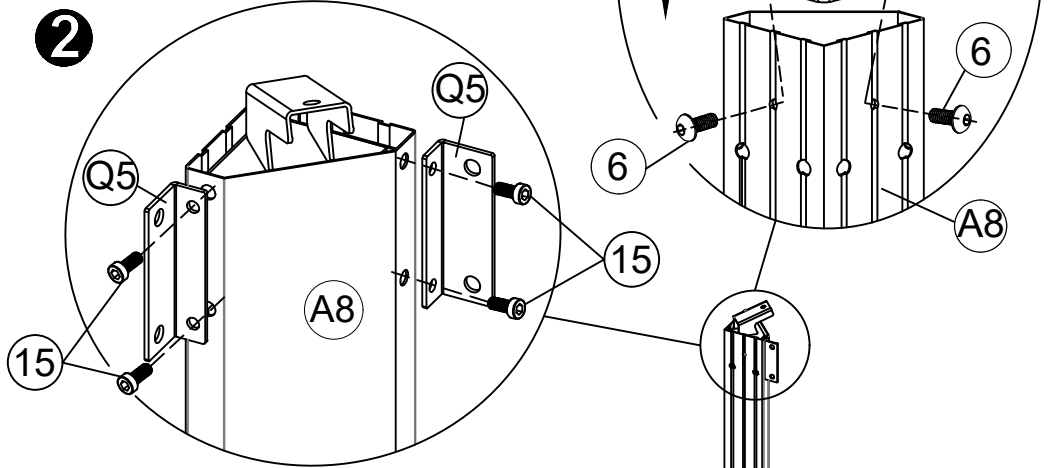
6 8x



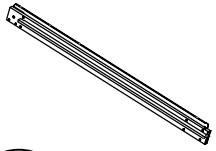
M5x15

15 16x

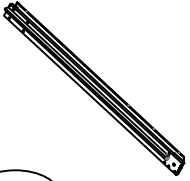
10



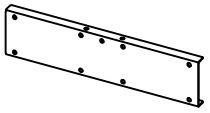
<2>



W9 4x



W10 4x

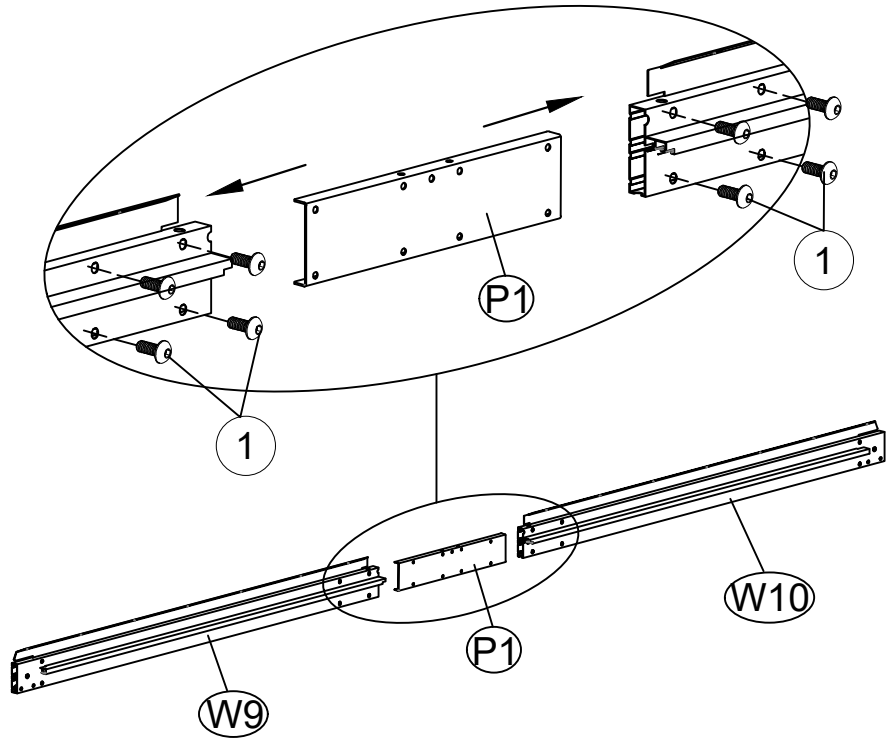


P1 4x



M6x15

1 32x



<3>

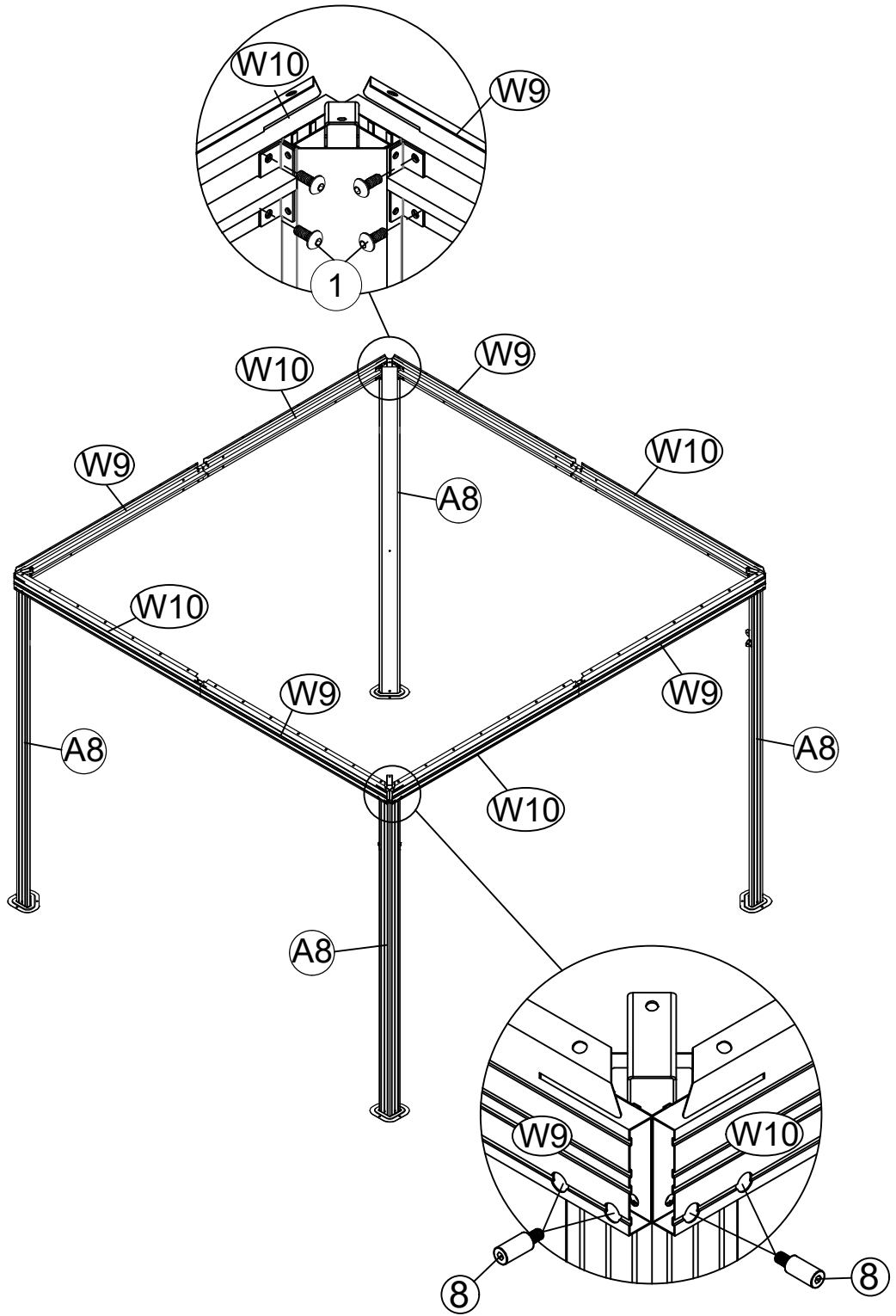


8 16x



M6x15

1 16x





○ 8x



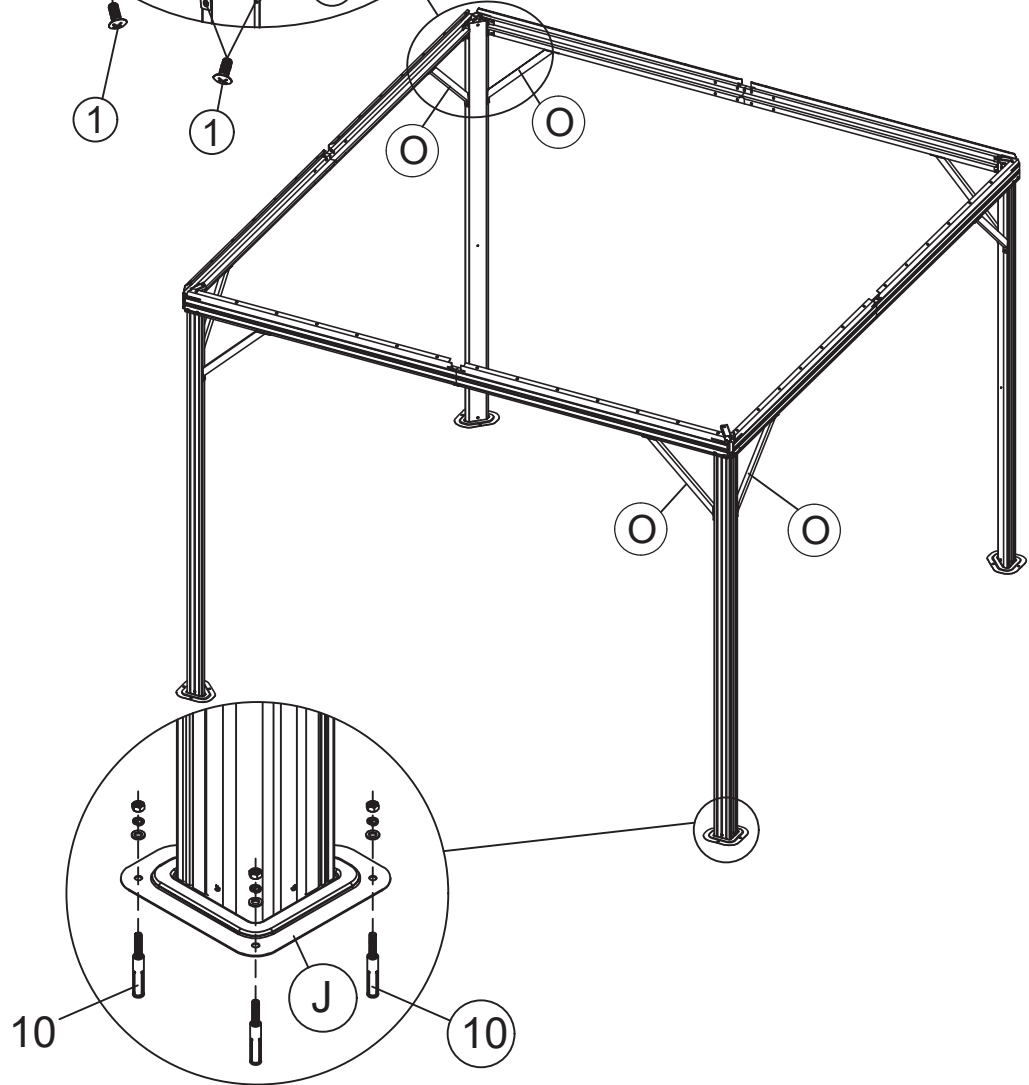
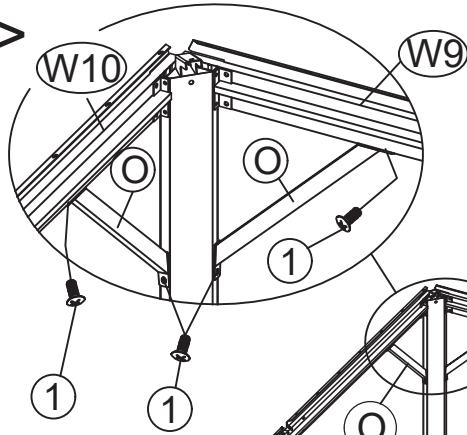
M6x15

① 16x

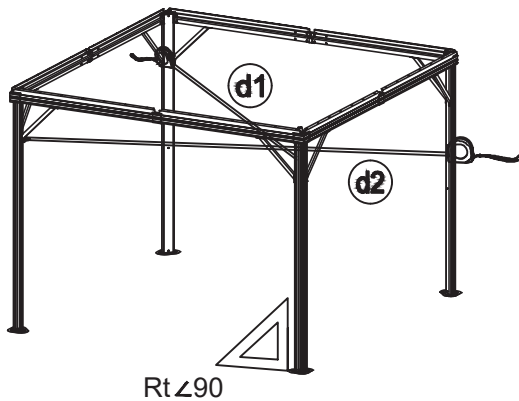


⑩ 12x

<4>



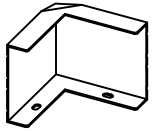
① d1=d2



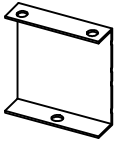
Tips:

Please measure to make sure the length of d1 is equal to d2 before moving to next step to ensure a square frame and best results.

Keep the beam at right angles to the post, the post at right angles to the ground, and keep the beam horizontal.



(K1) 4x



(K2) 4x



(U1) 96x



(V) 4x



M6x10

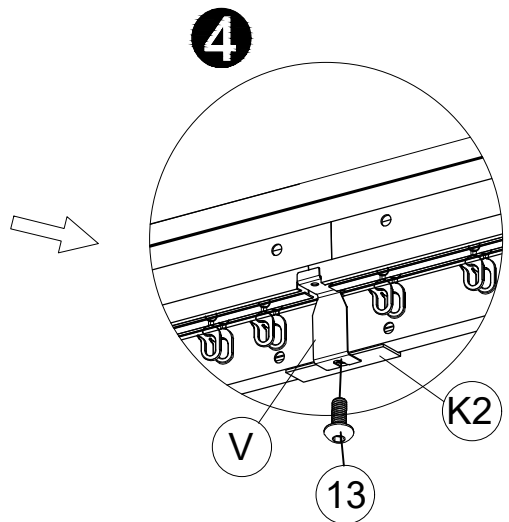
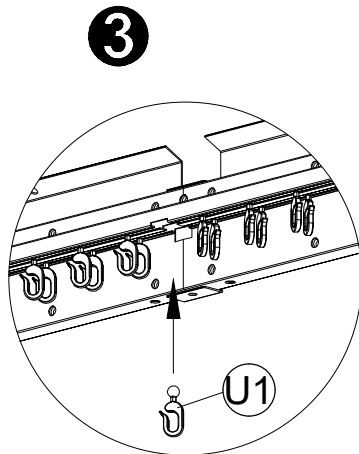
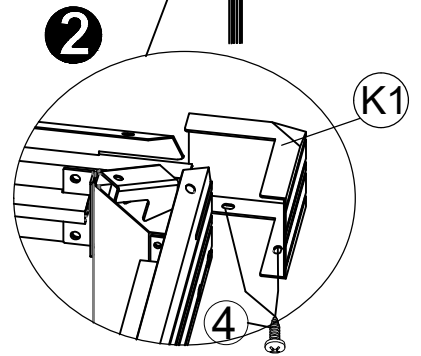
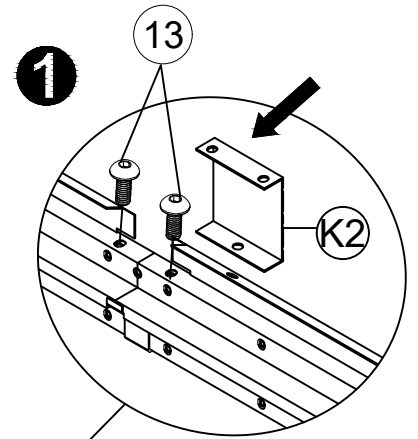
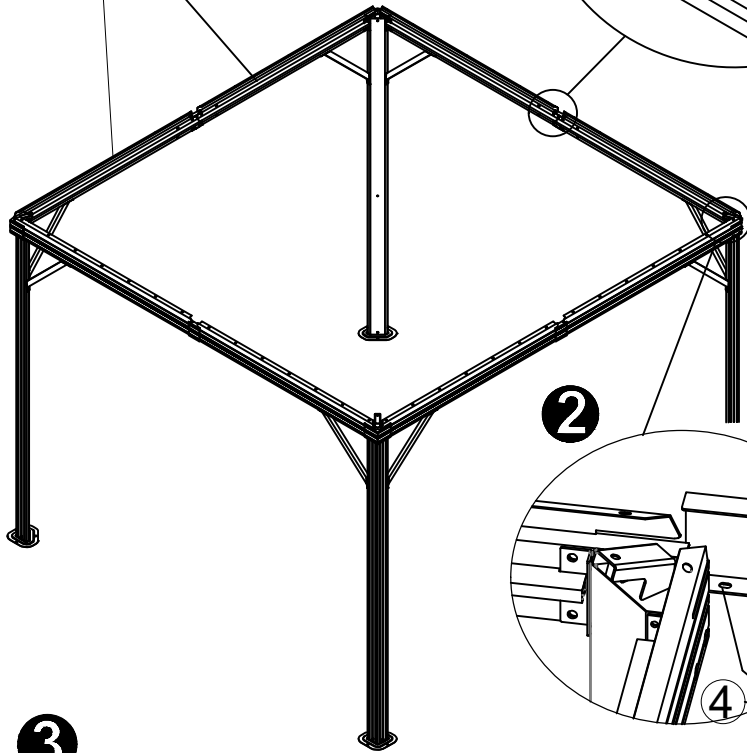
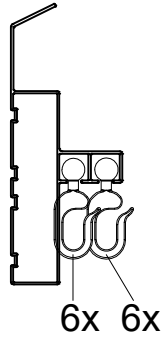
(13) 12x



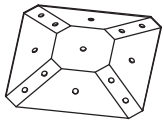
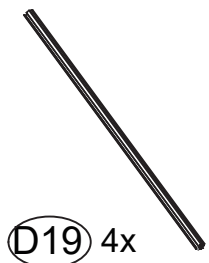
ST4.8x12

(4) 8x

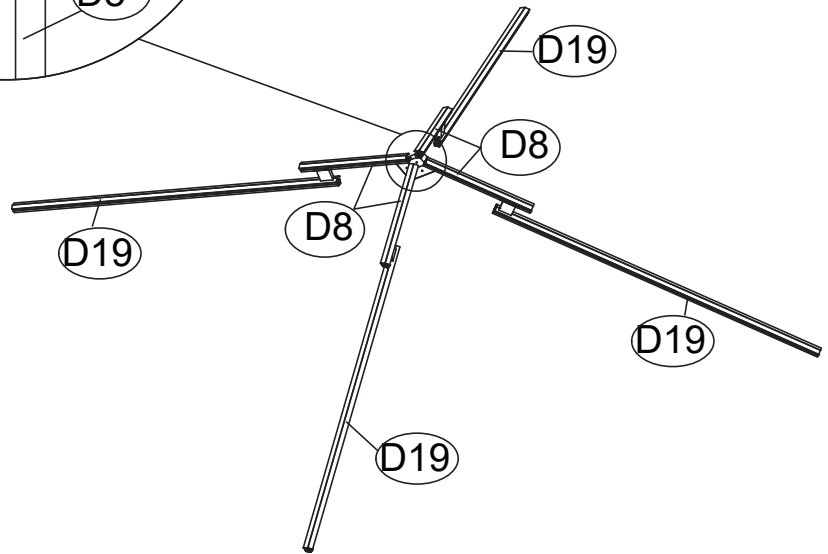
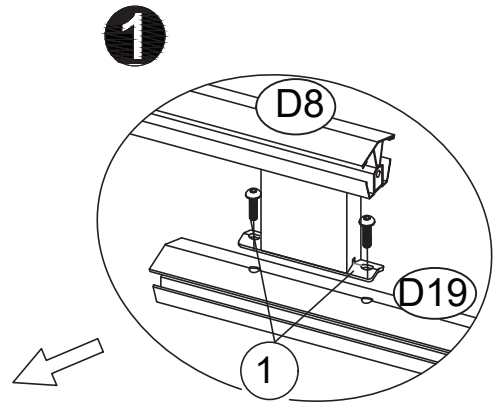
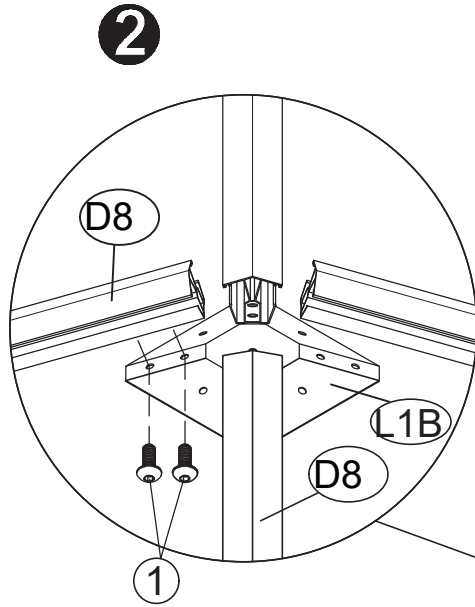
<5>



<6>



1 16x

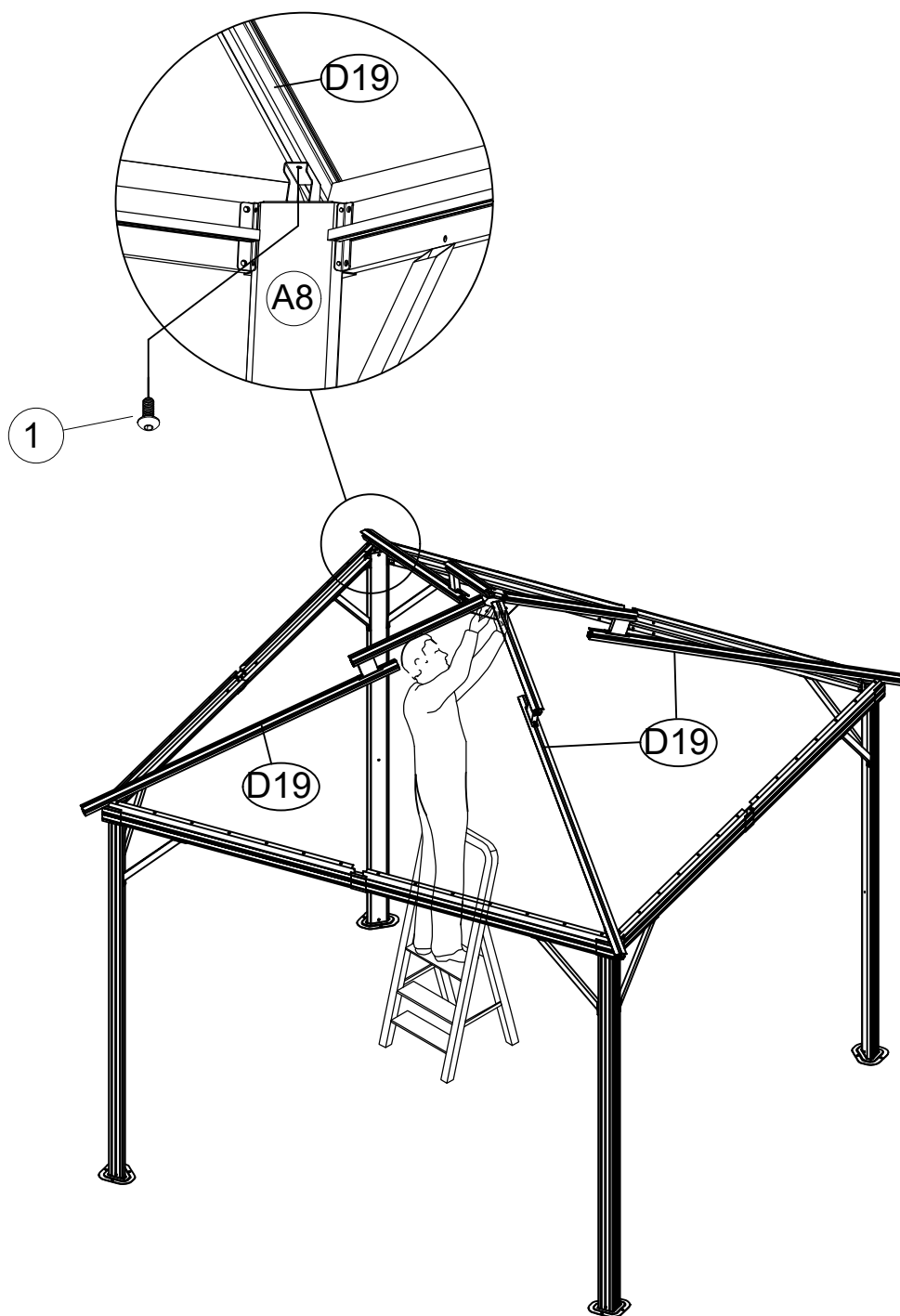




<7>

1

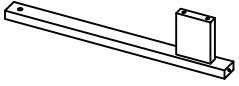
M6x15  
4x



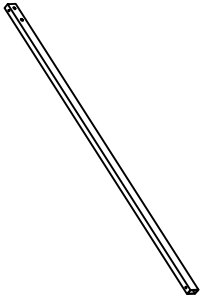
Note:

1. Let one person stand on the ladder to lift "L1B" and hold and let others fasten the screws connecting both ends of "D19".
2. Please do not let go of holding "L1B" until all the "D19" screws are installed.

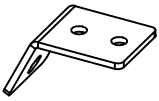
<8>



D15 4x



D16 4x

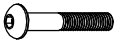


Q1 4x



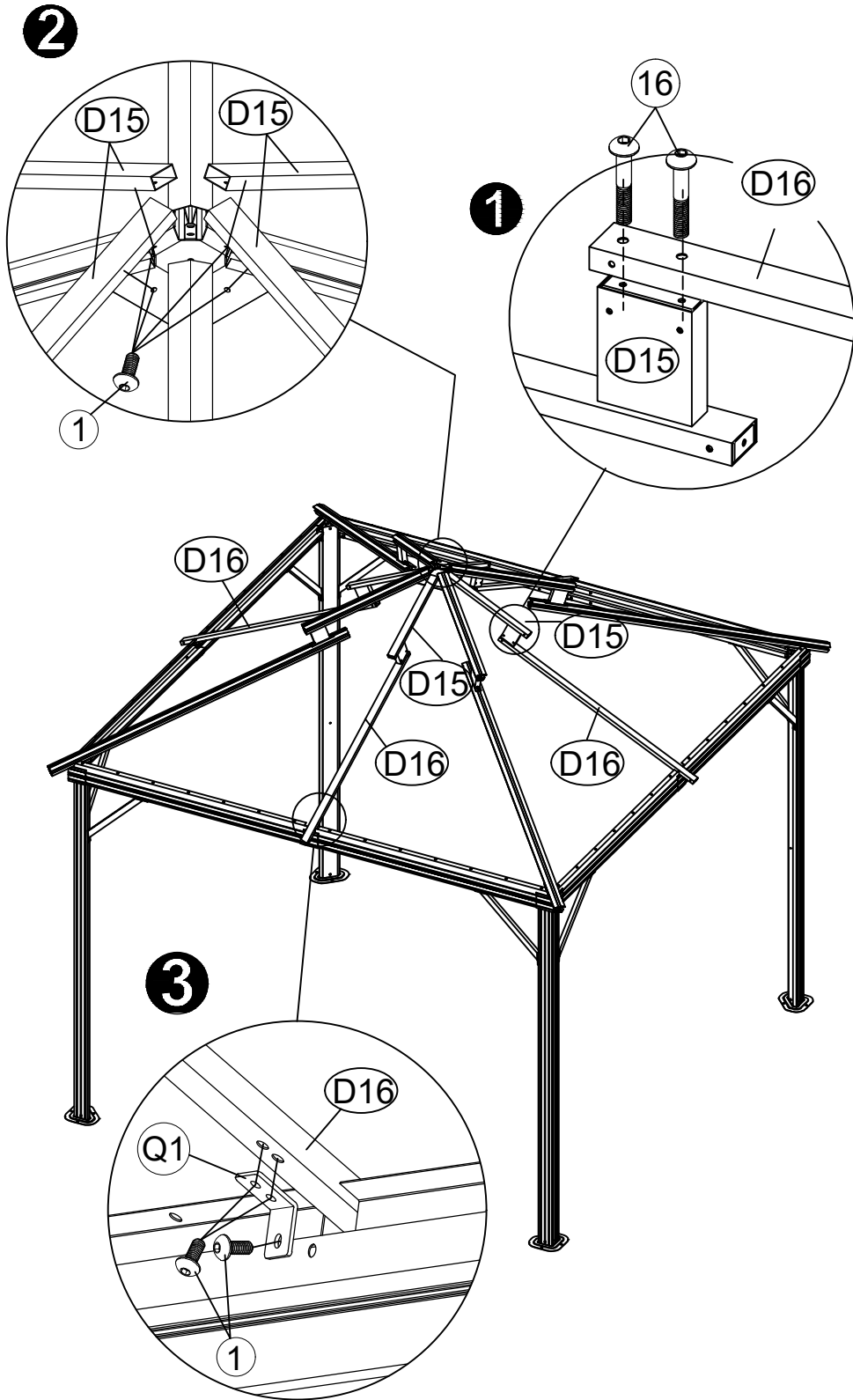
M6x15

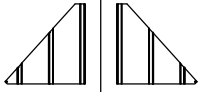
1 16x



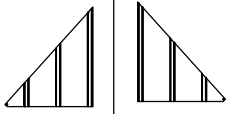
M6x35

16 8x

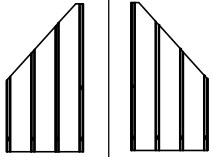




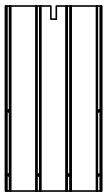
(S1) 4x (S2) 4x



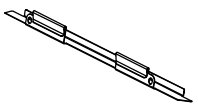
(X1) 4x (X2) 4x



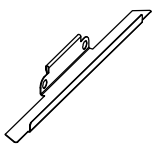
(X13) 4x (X14) 4x



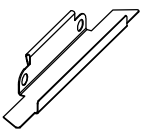
(X17) 4x



(Z) 48x

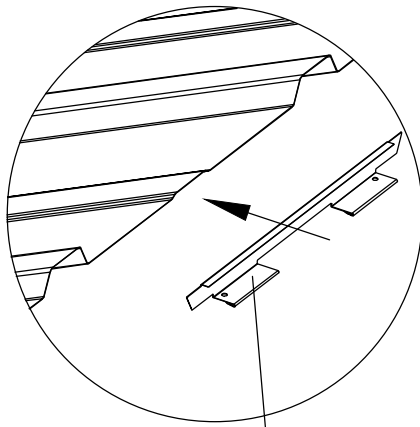


(Z1) 16x

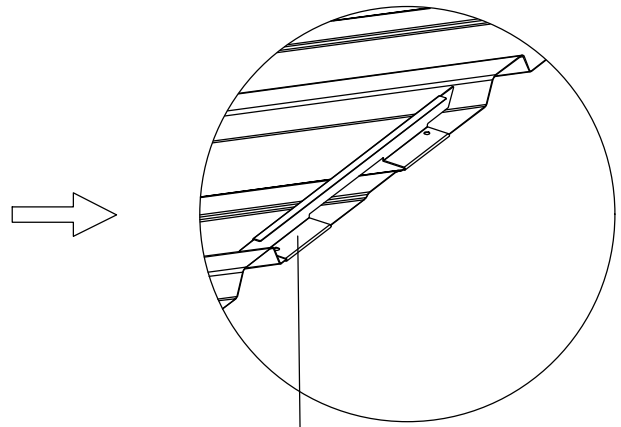


(Z2) 8x

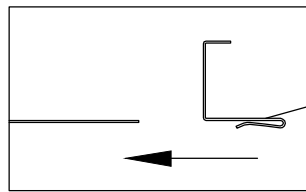
<9>



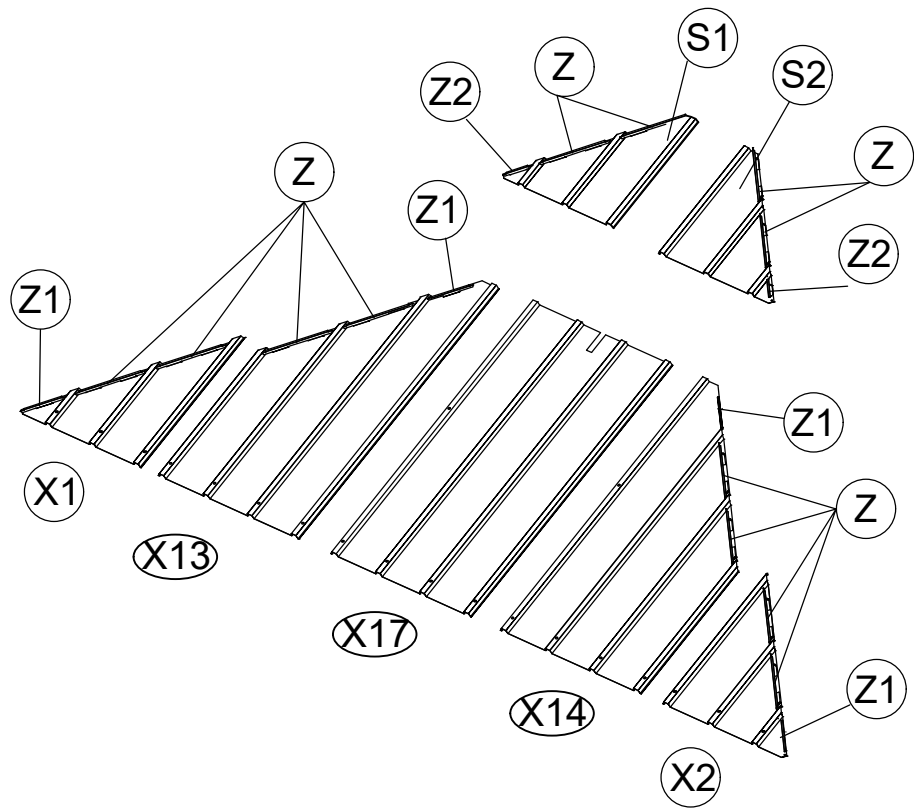
(Z) or (Z1) or (Z2)



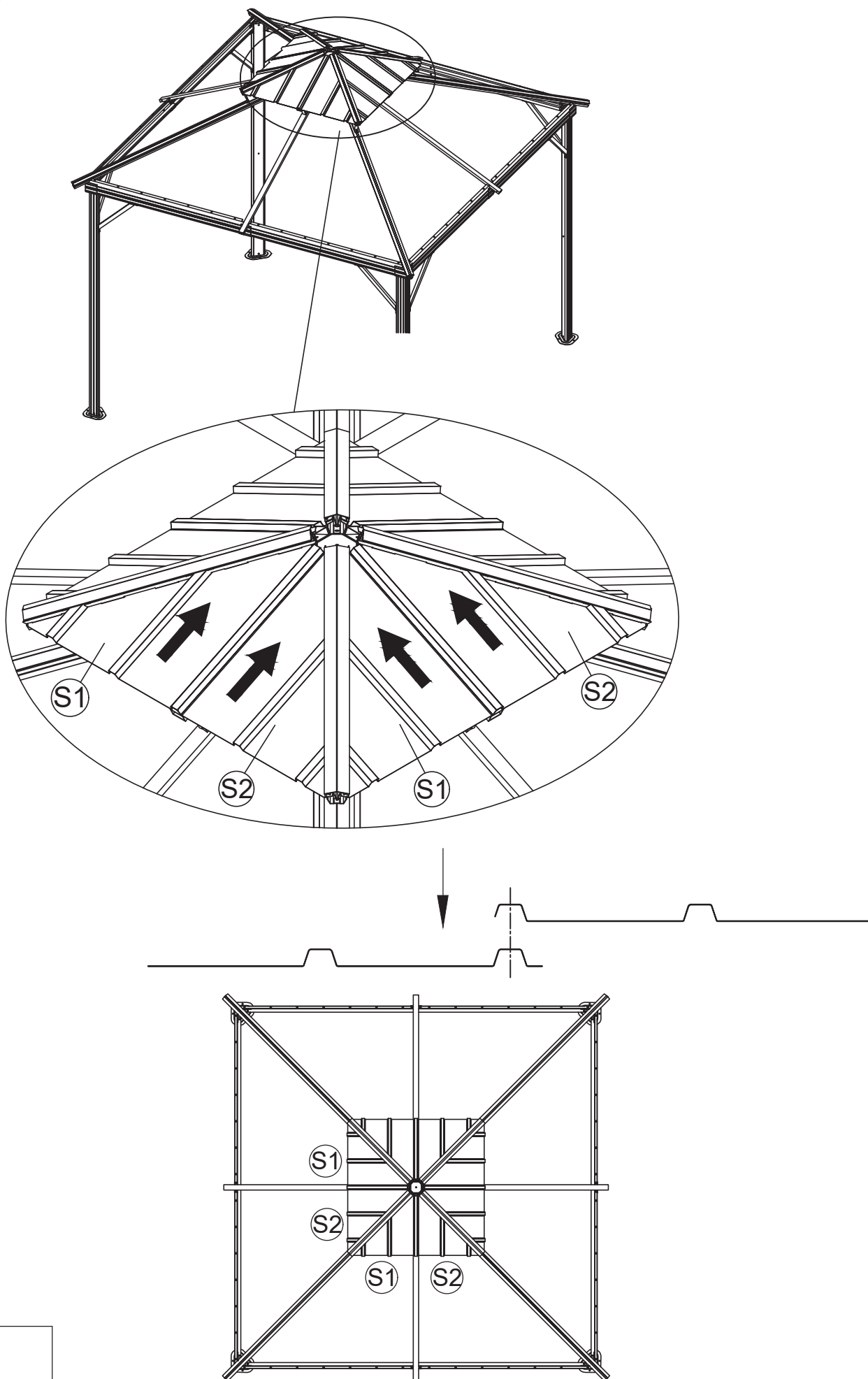
(Z) or (Z1) or (Z2)

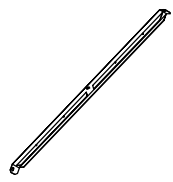


(Z) or (Z1) or (Z2)



<10>





G1 4x



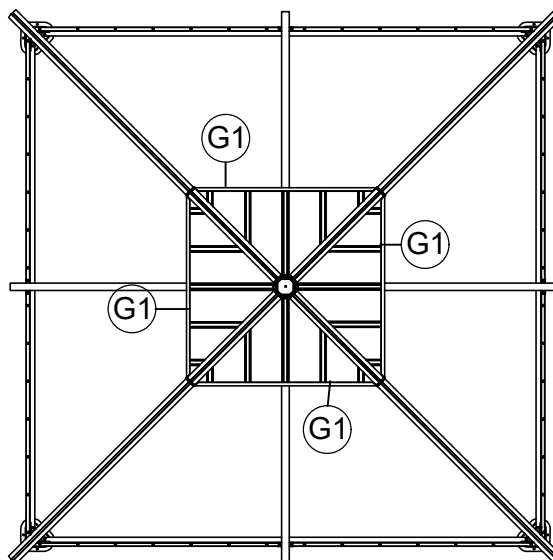
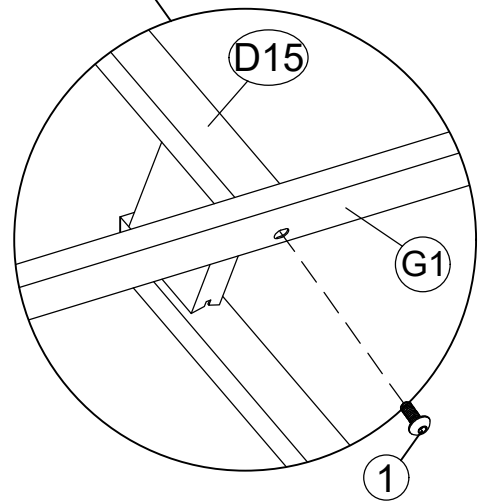
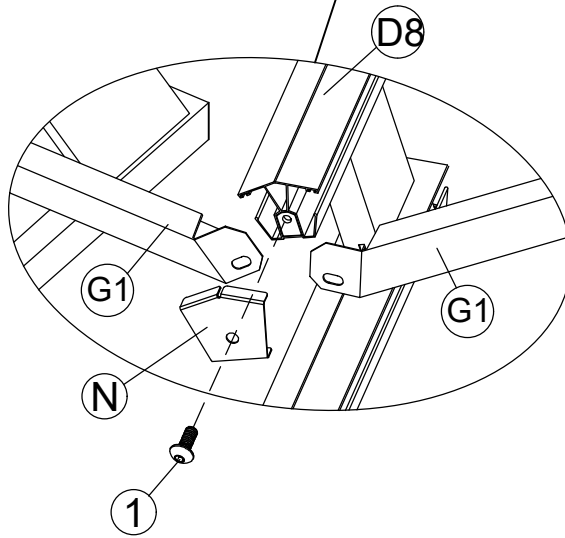
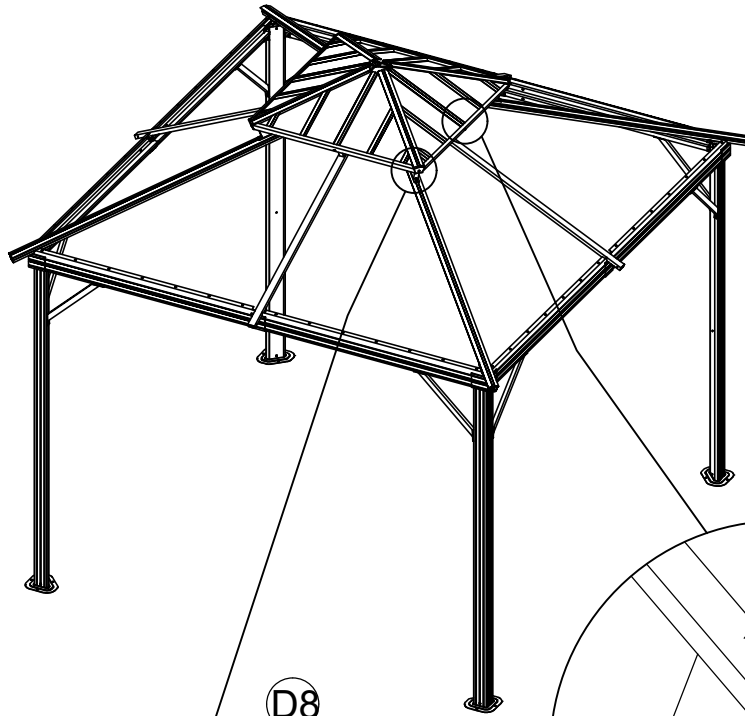
N 4x

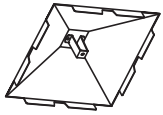


M6x15

1 8x

<11>



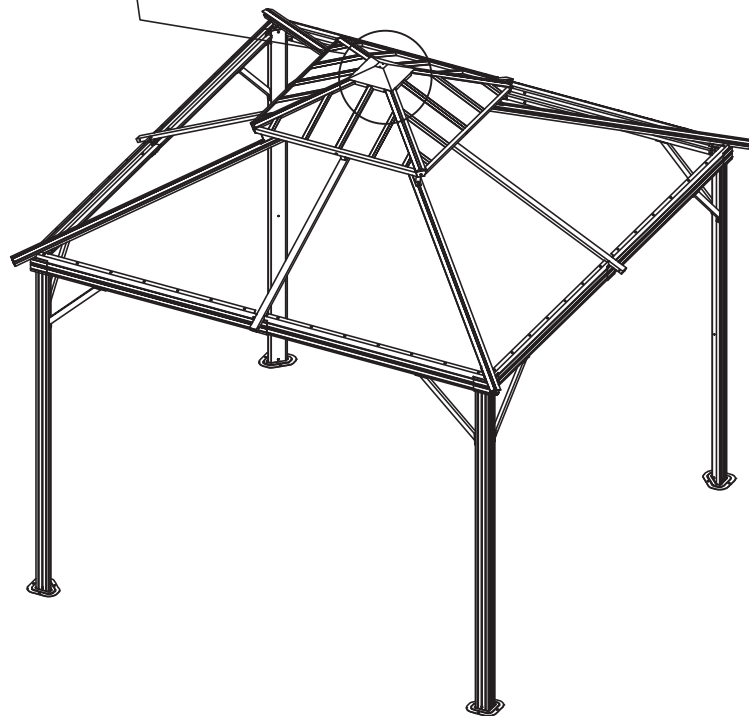
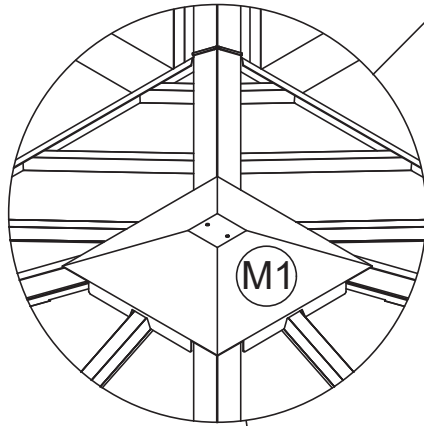
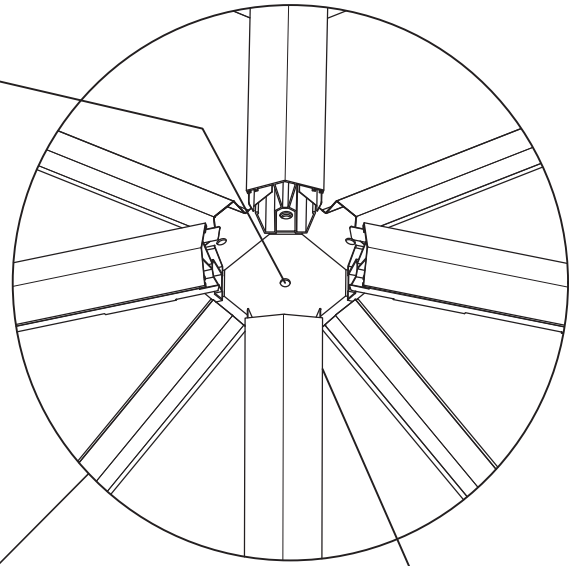
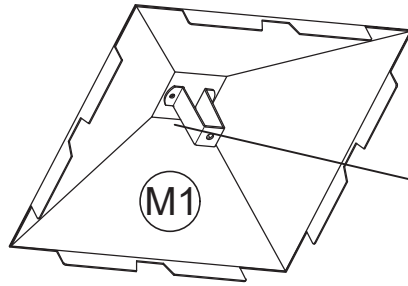


<12>

M1 1x



5 1x

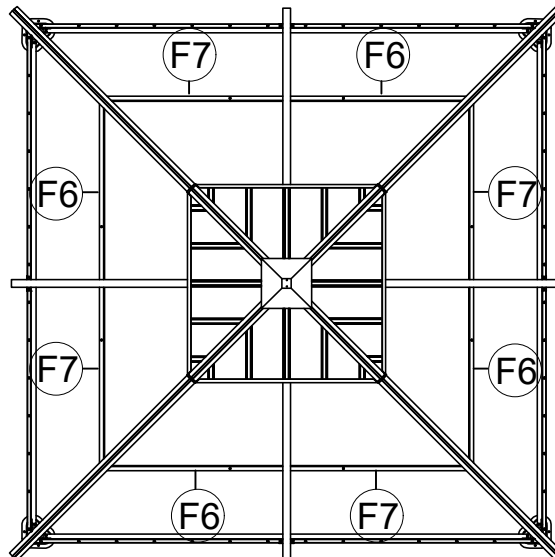
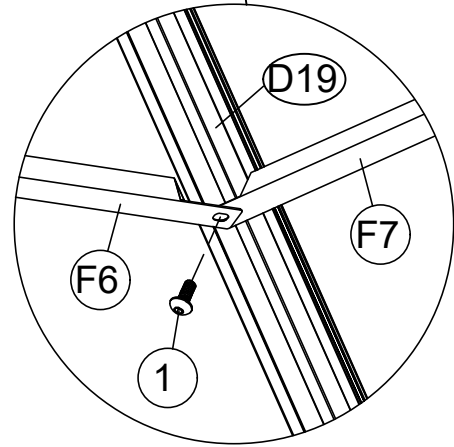
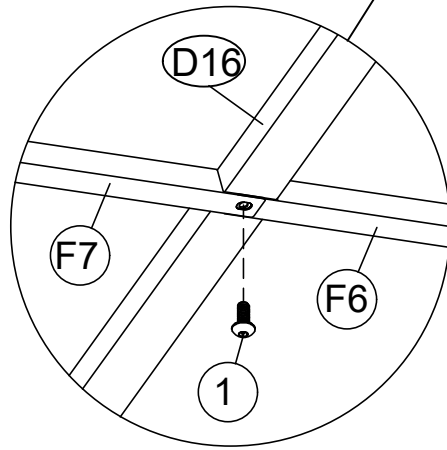
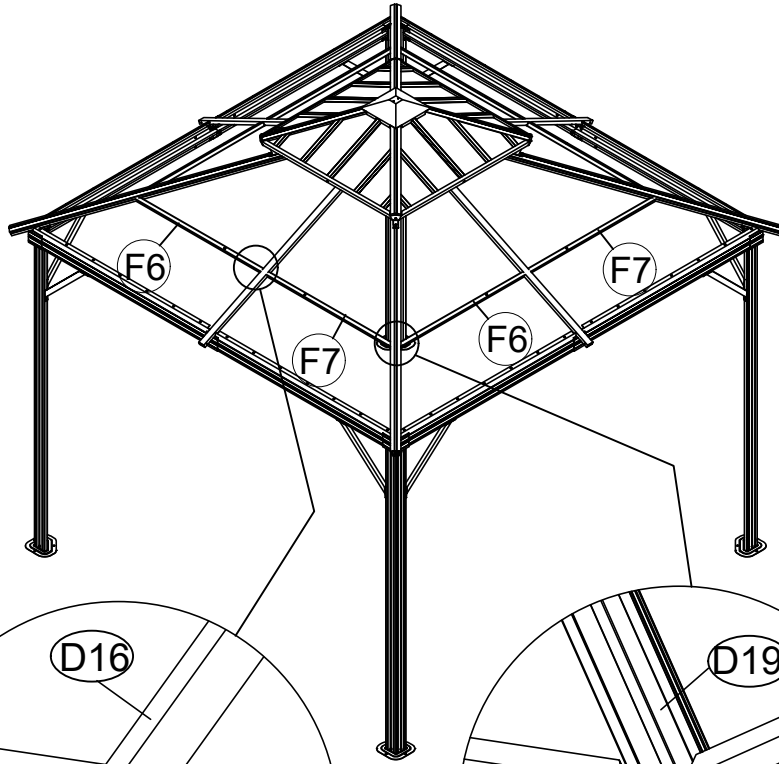


<13>

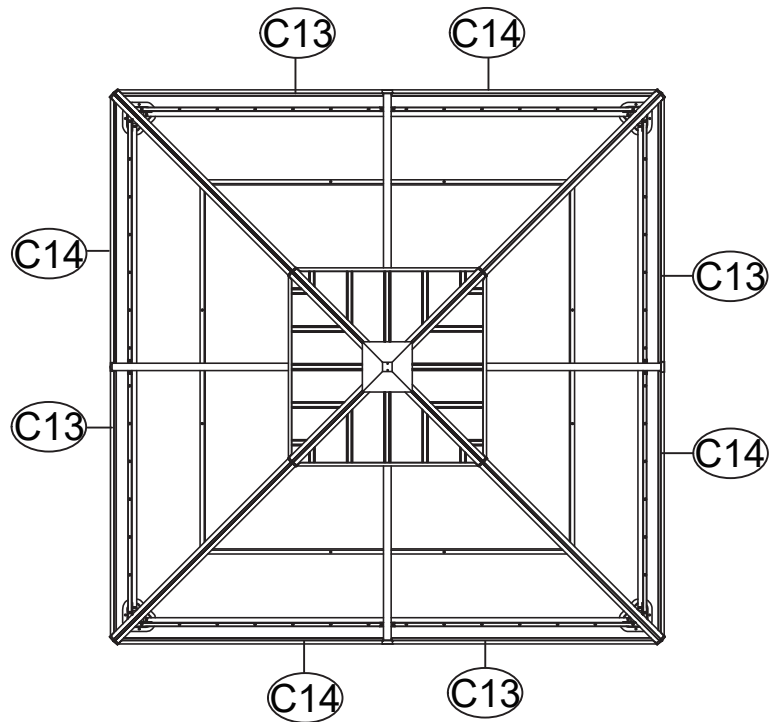
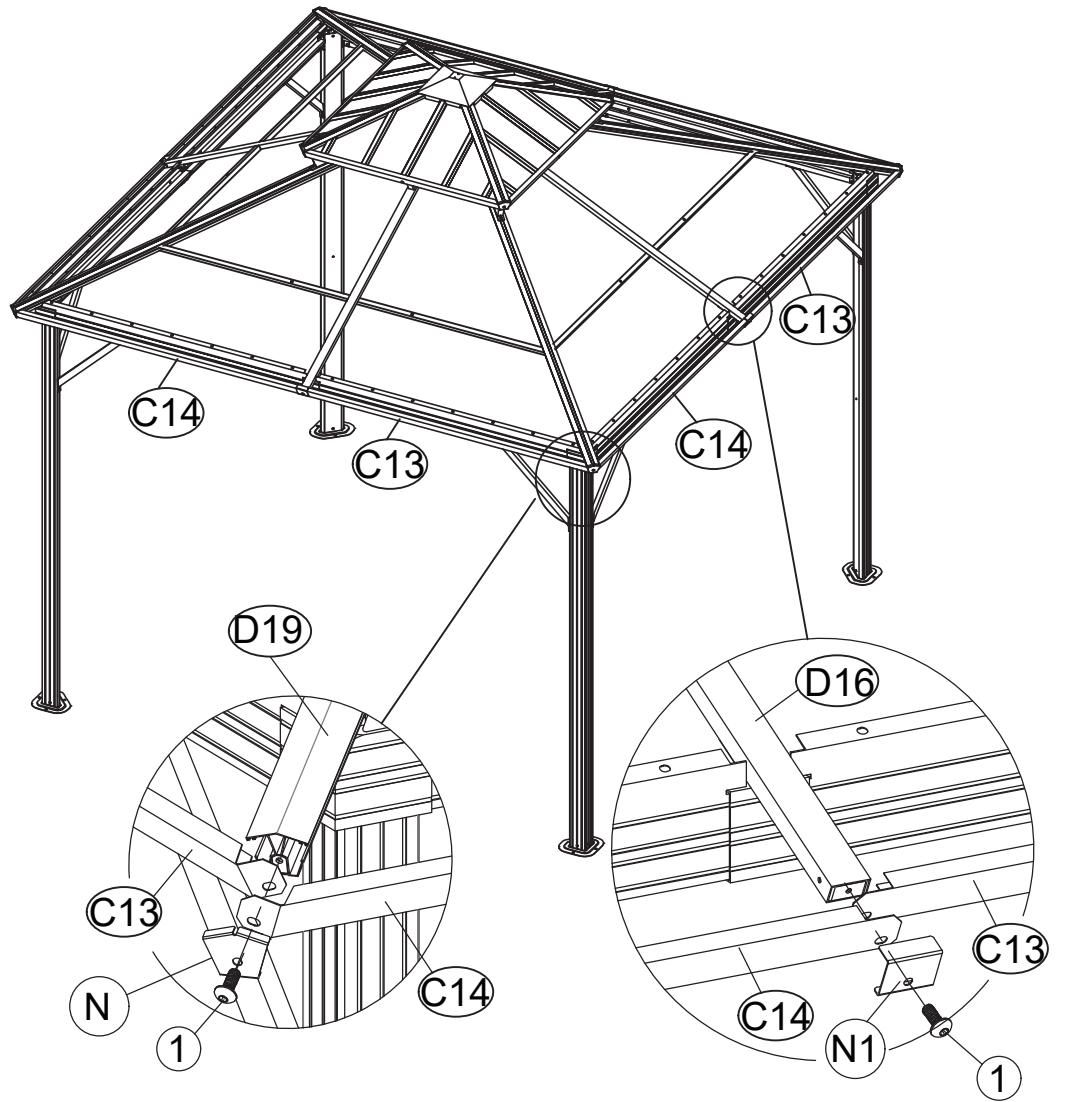
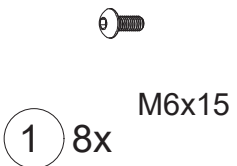
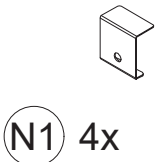
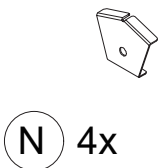
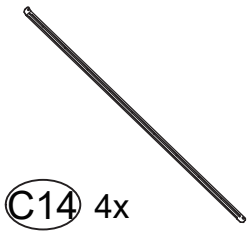
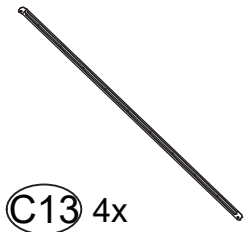
F7 4x

F6 4x

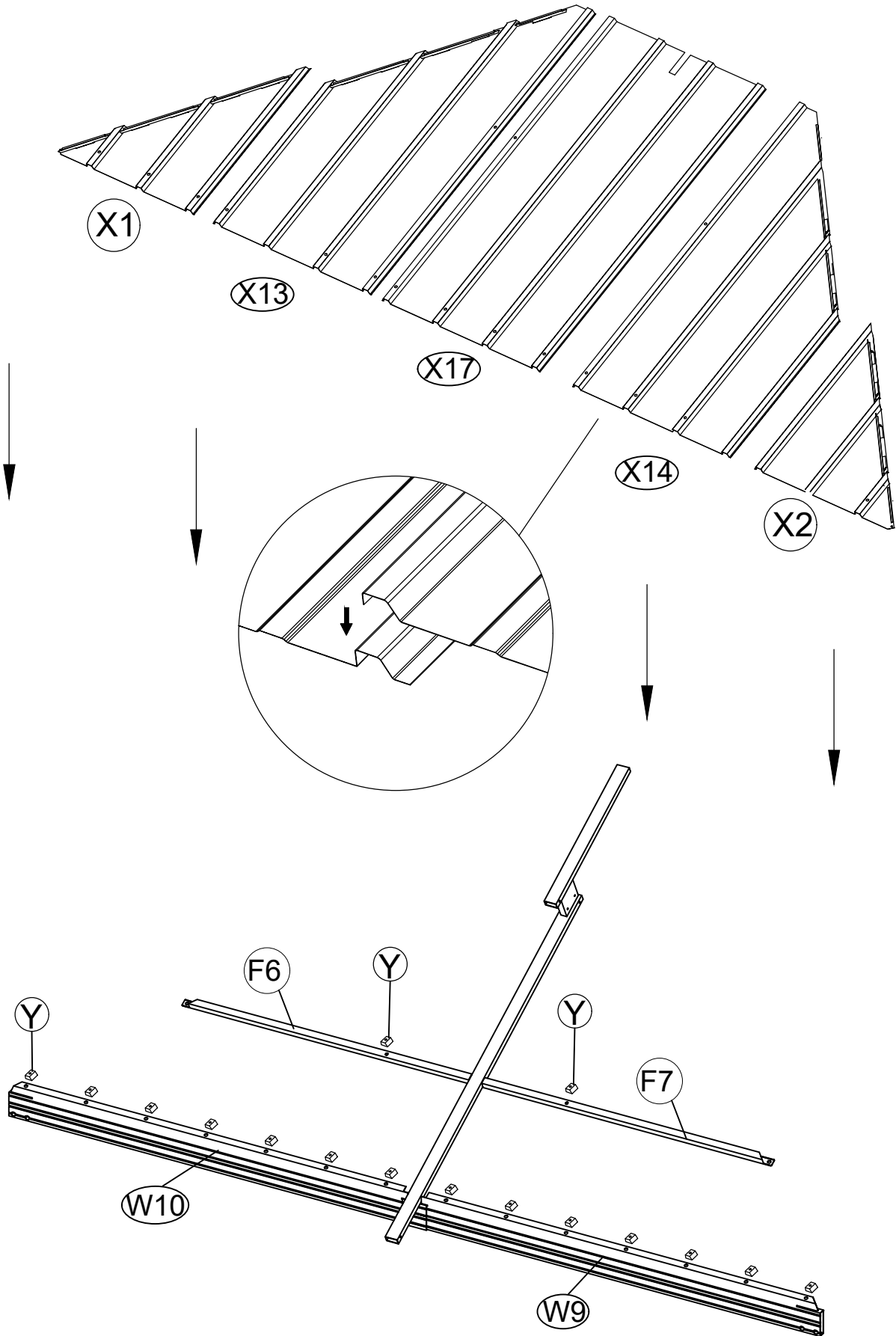
M6x15  
1 8x



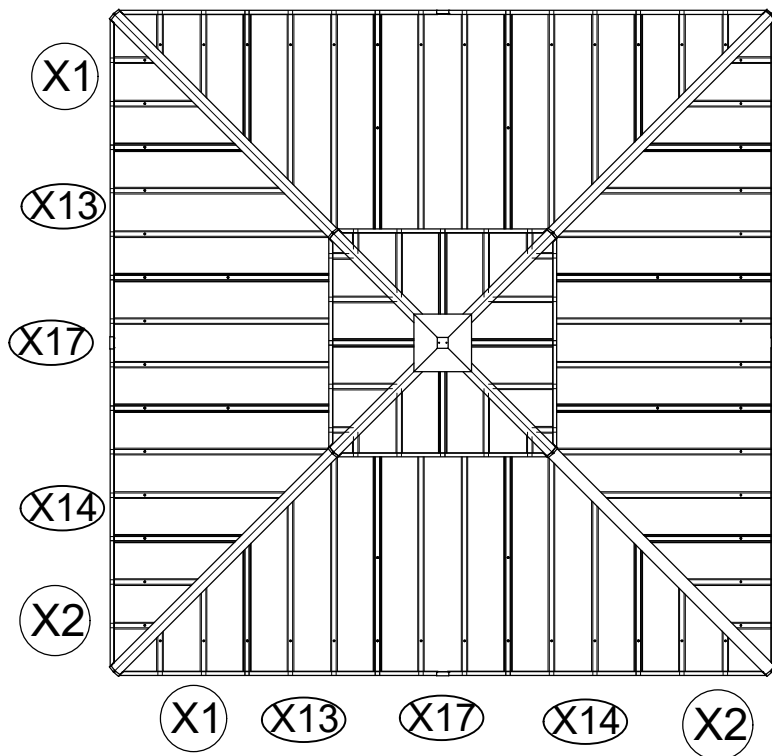
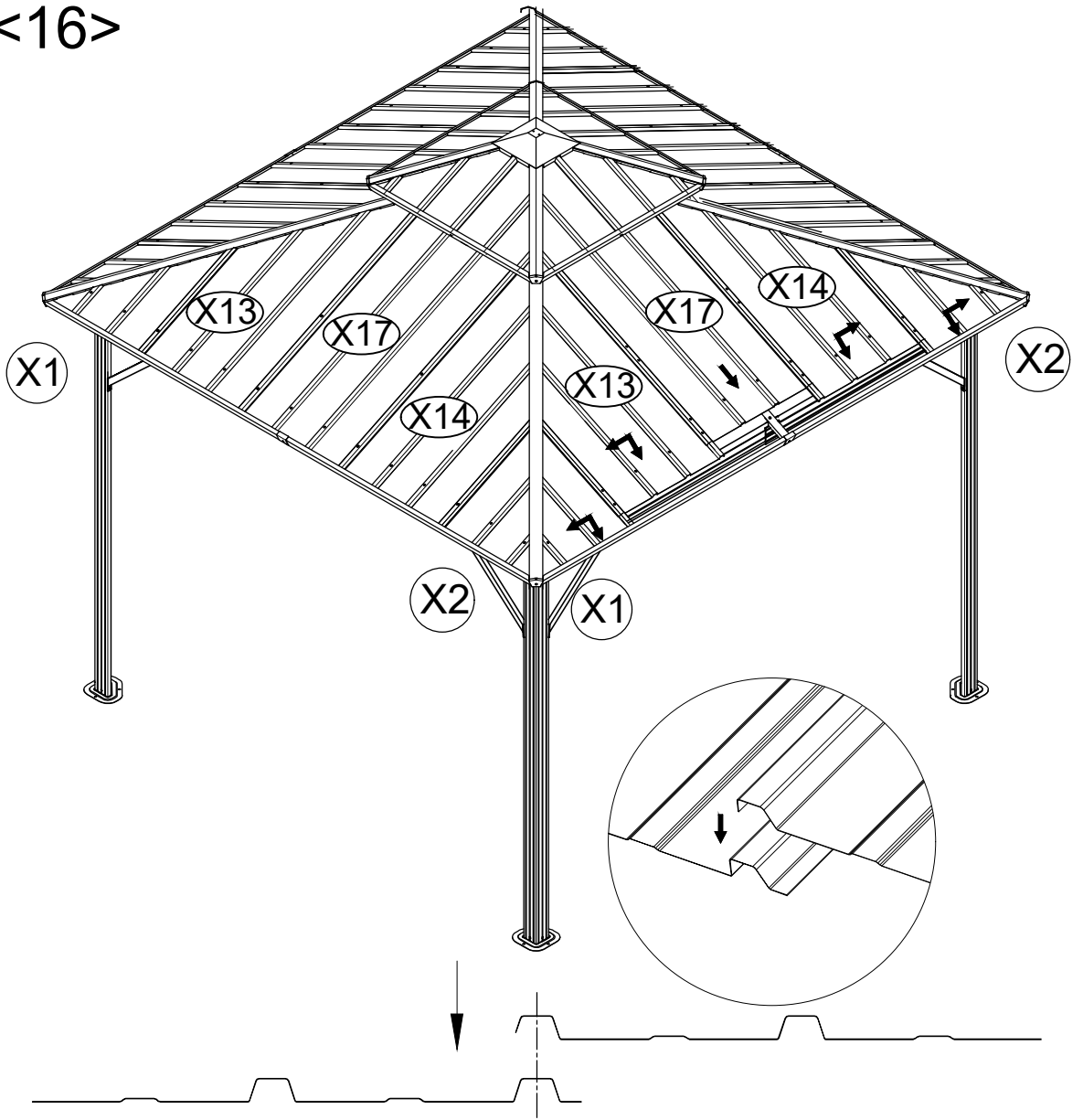
<14>



<15>



<16>





<17>

Y 64x



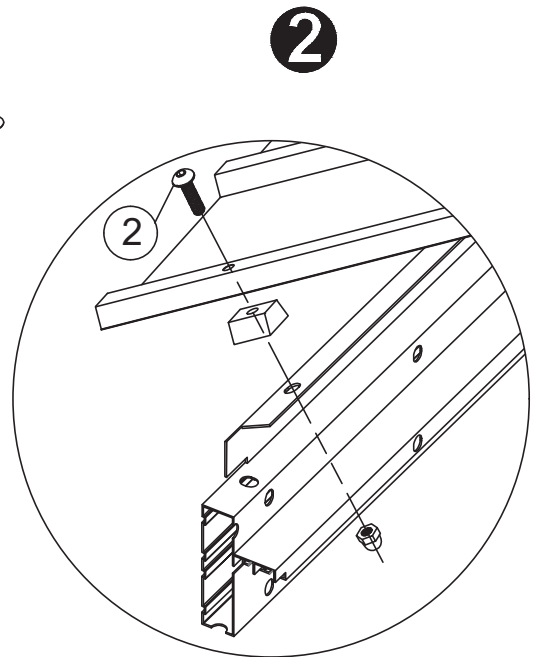
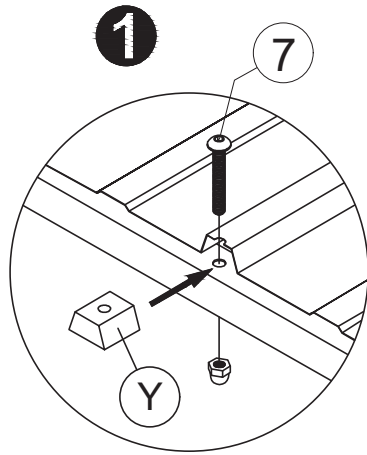
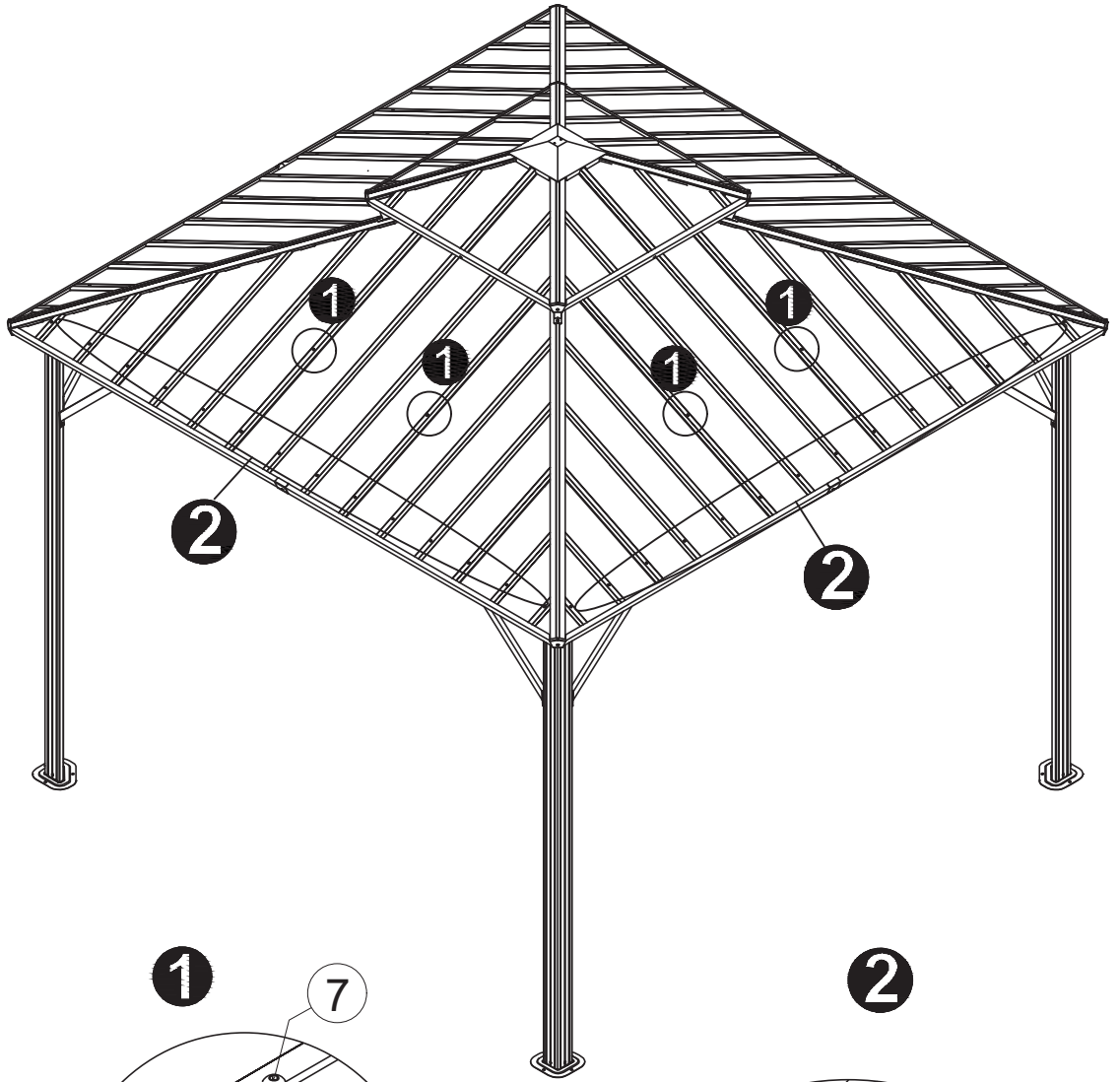
M6x23

2 56x



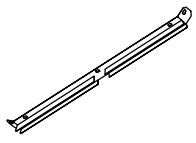
M6x45

7 8x



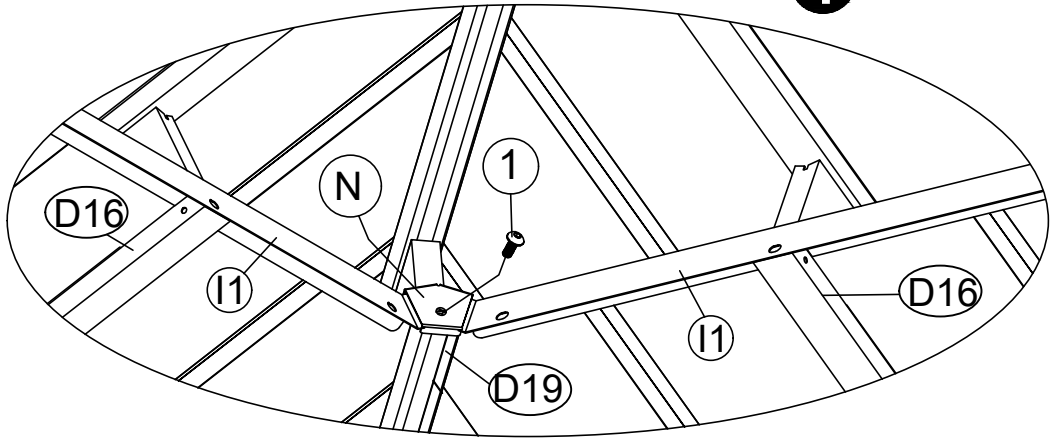
Note:

When installing the roof top plates, if the roof plates are slightly uneven, pls press the screws from the top of the plates until the bottom screw thread is exposed by 3 to 4mm, and then screw on the nut.



<18>

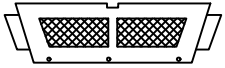
**1**



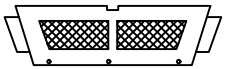
I1 4x



N 4x

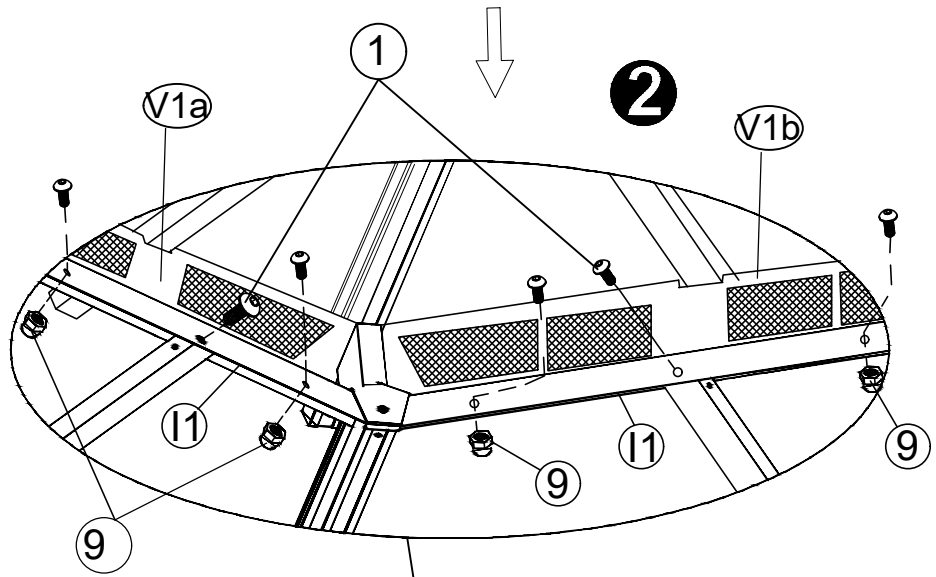


V1a 2x



V1b 2x

**2**



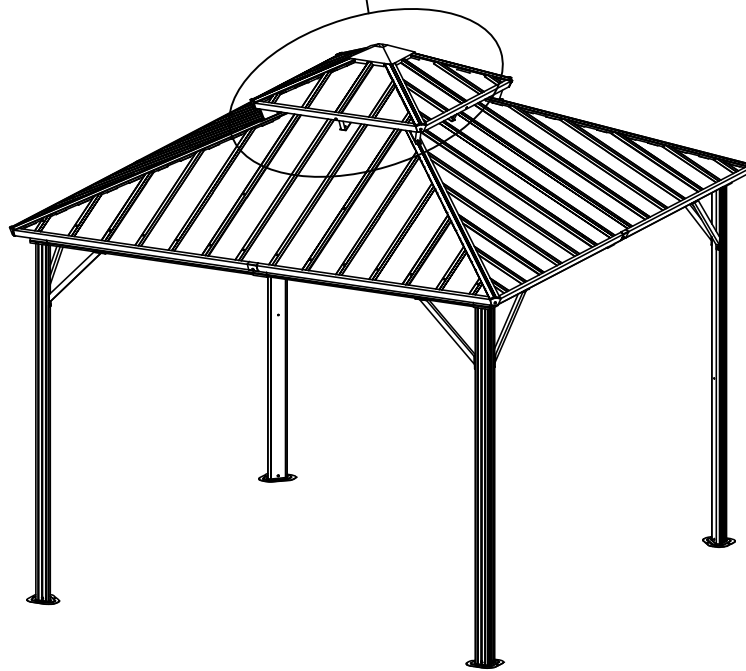
M6x15

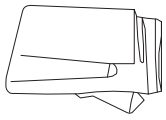
1 8x



M6x10

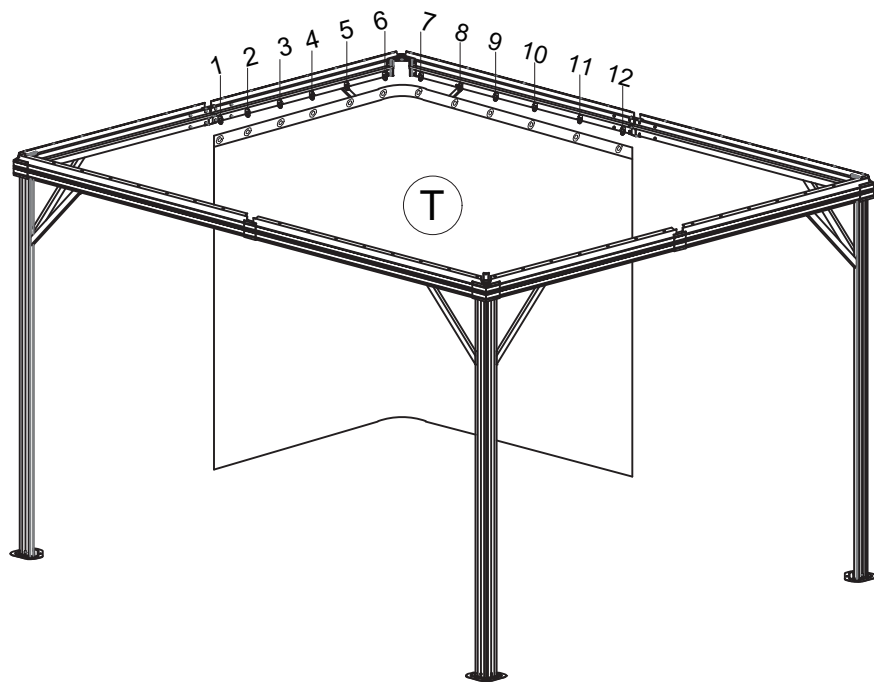
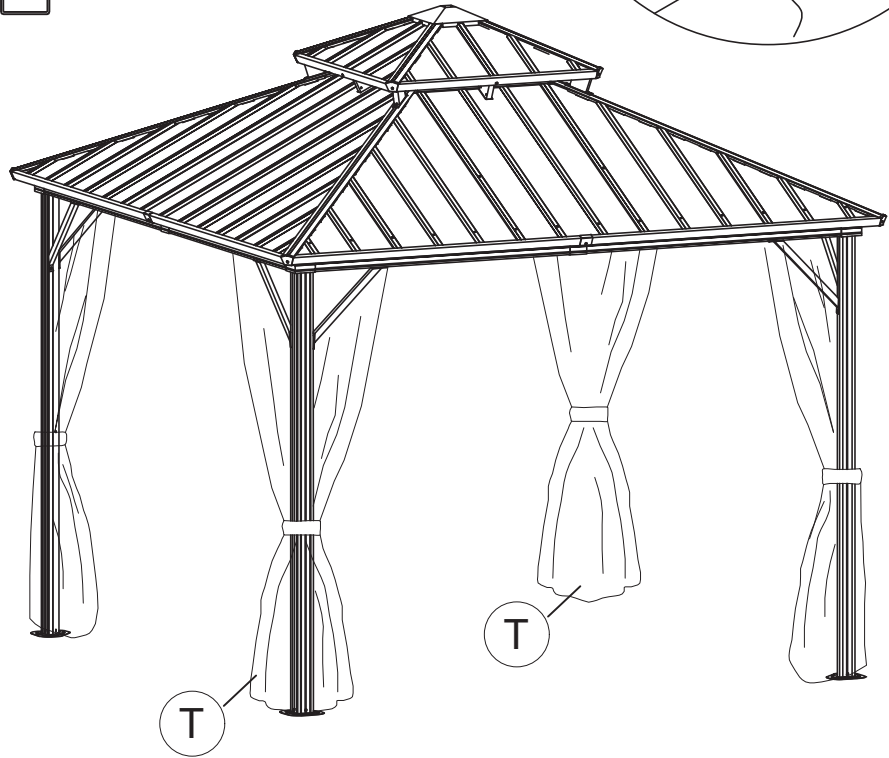
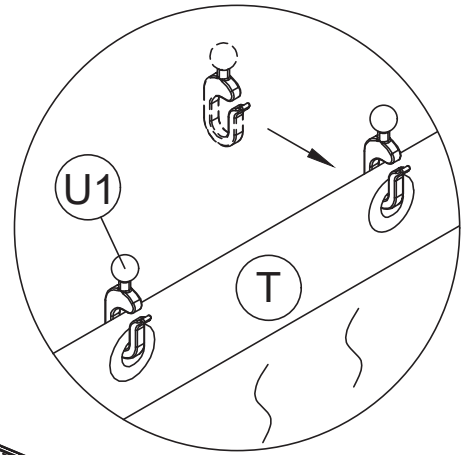
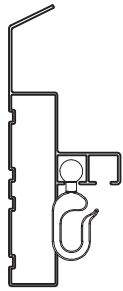
9 8x

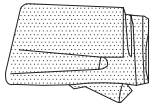




<19>

T 4x





<20>

T1 4x

