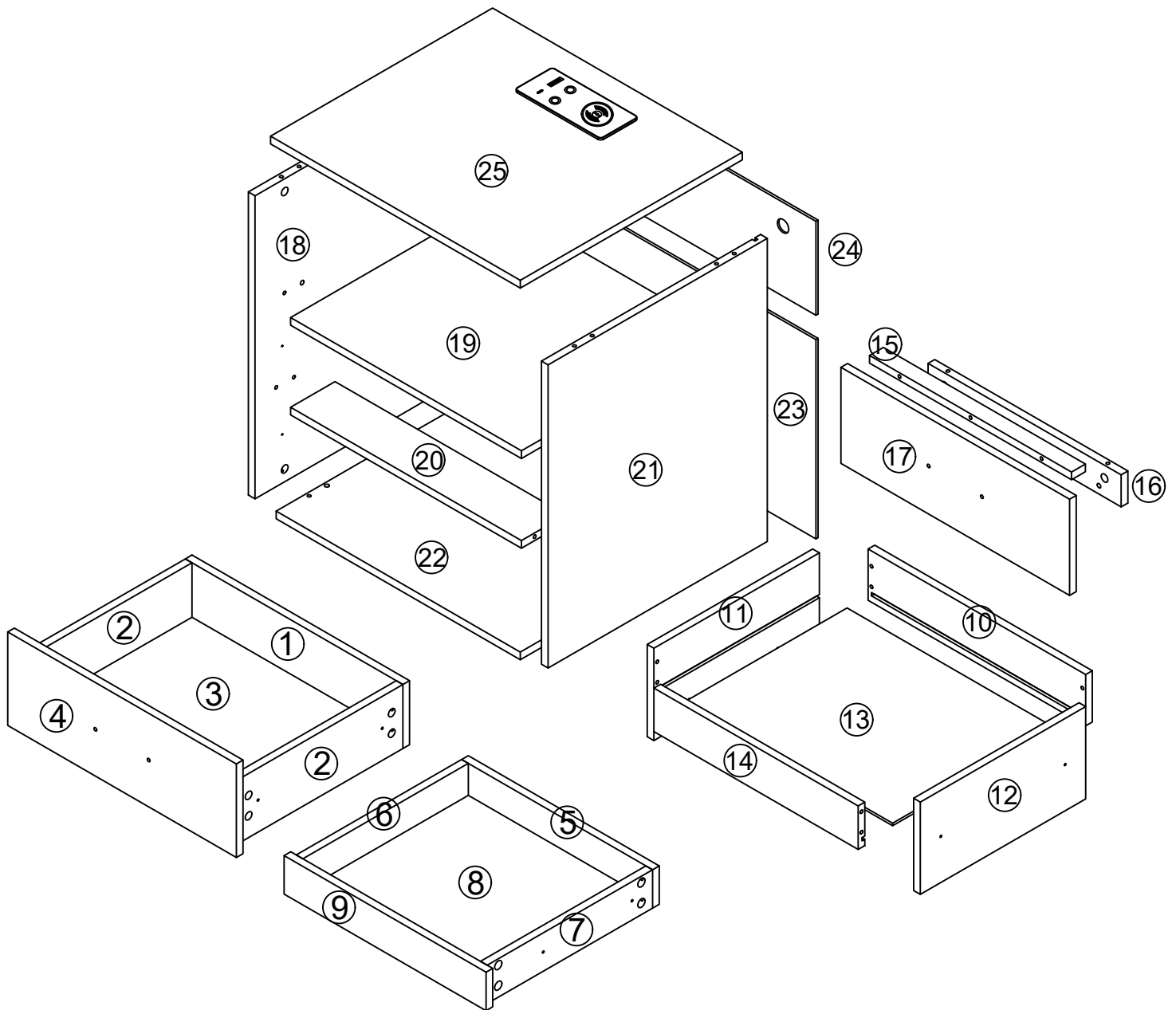
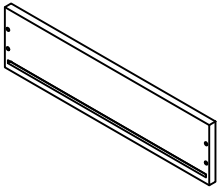




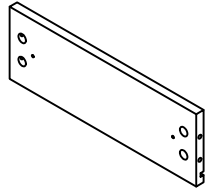
Product structure decomposition



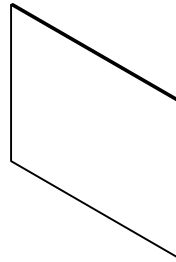
Hardware list



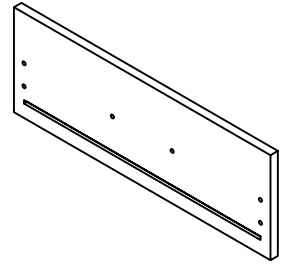
1x1



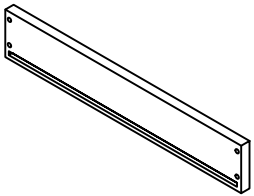
2x2



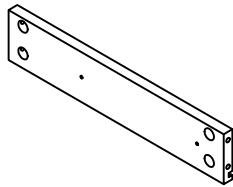
3x1



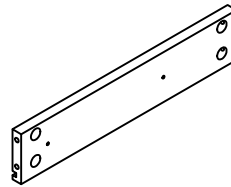
4x1



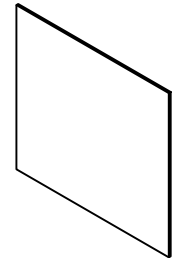
5x1



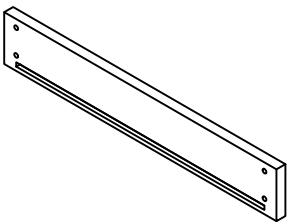
6x1



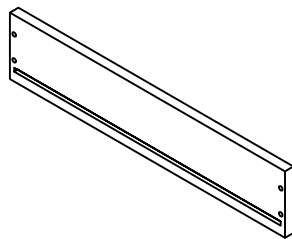
7x1



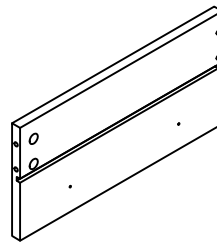
8x1



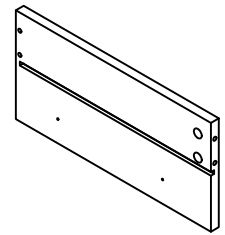
9x1



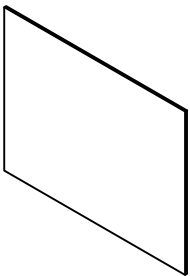
10x1



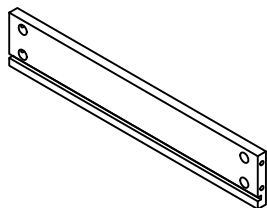
11x1



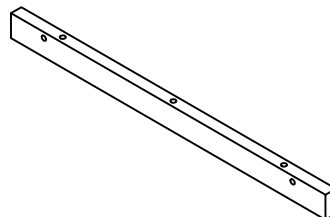
12x1



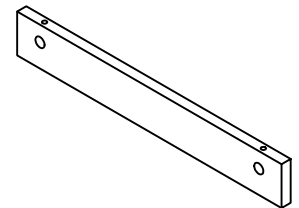
13x1



14x1

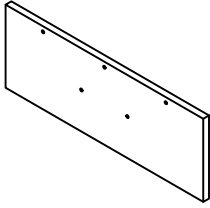


15x1

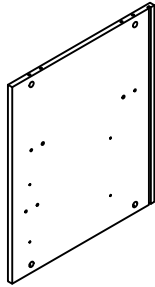


16x1

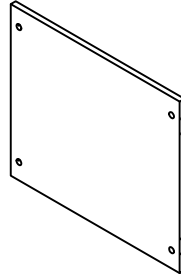
Hardware list



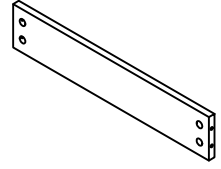
17x1



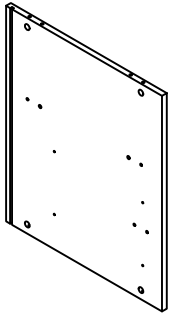
18x1



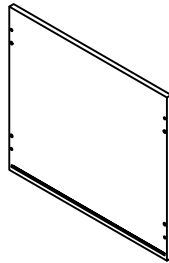
19x1



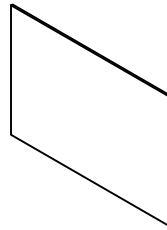
20x1



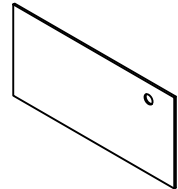
21x1



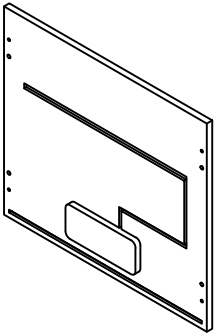
22x1



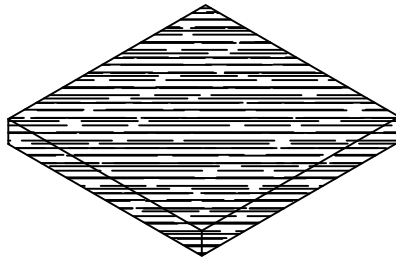
23x1



24x1

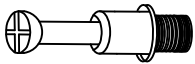

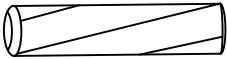
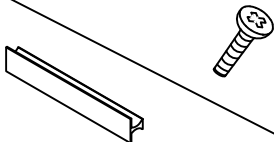
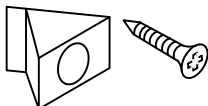
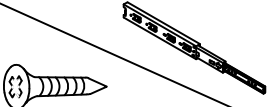
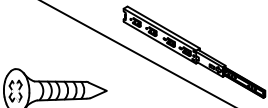
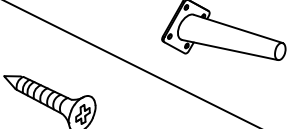

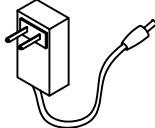


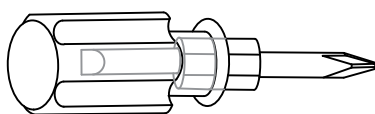
25x1



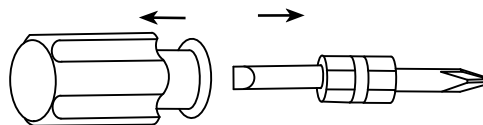
26x1

Accessories list

①		Two In One Screw (6x28mm)	42pcs +4pcs
②		Two In One Nut (10x12mm)	42pcs +4pcs
③		Wood Chipping (6x30mm)	12pcs +2pcs
④		Handle & Screw (4x16mm)	4pcs +1pcs 2pcs
⑤		Fixing Clip & Screw (3x16mm)	8pcs +1pcs
⑥		Screw & Guide (12 inch) (3x12mm)	4pcs 20pcs +2pcs
⑦		Screw & Guide (10 inch) (3x12mm)	2pcs 10pcs +2pcs
⑧		Aluminum alloy cabinet footscrew(4x12mm)	4pcs 16pcs +2pcs
⑨		screw(4x35)	3pcs +1pcs
		AC/DC Adapter (12V=2.0A)	1pcs



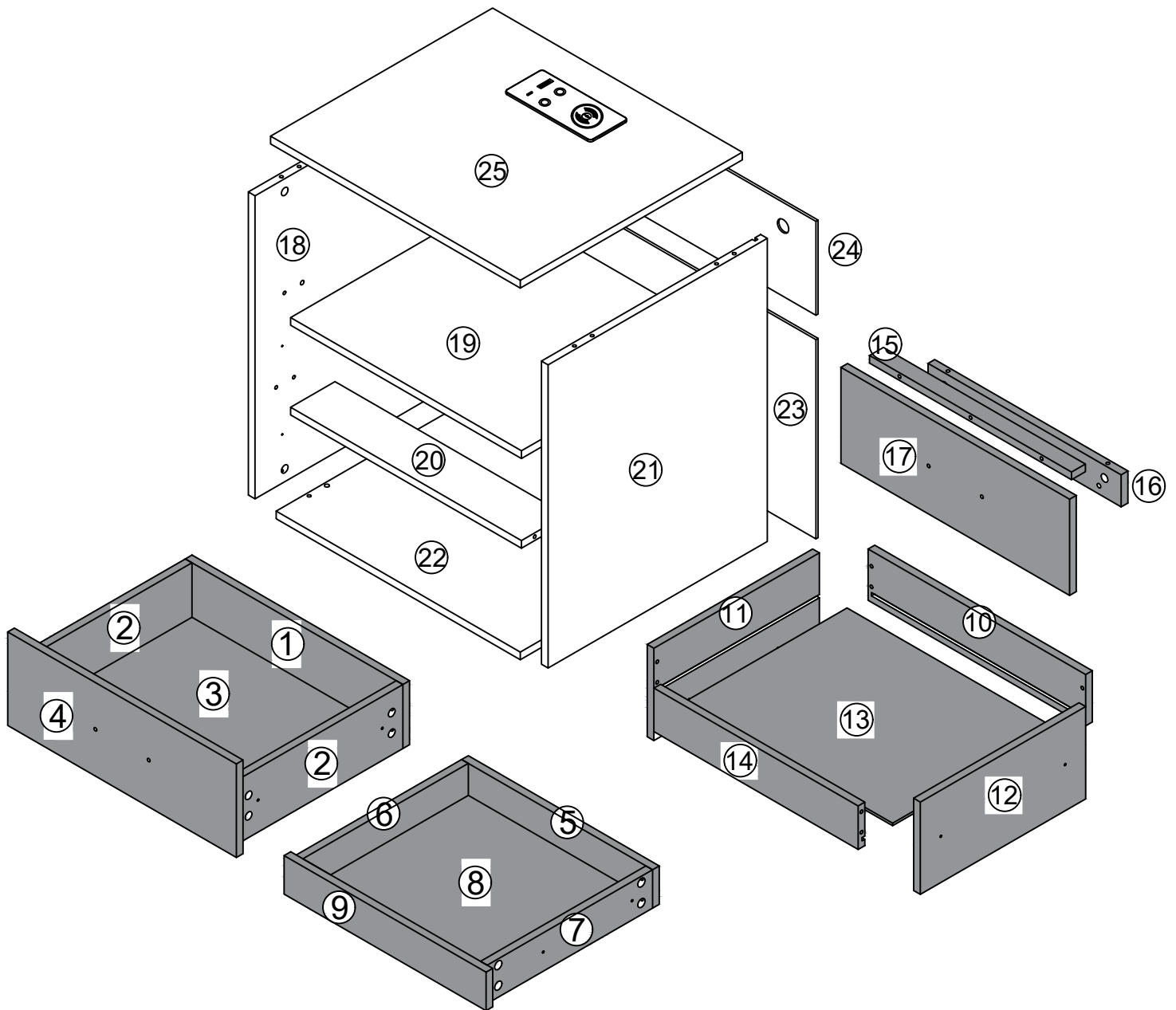
1pcs



Double-head screwdriver, use as required

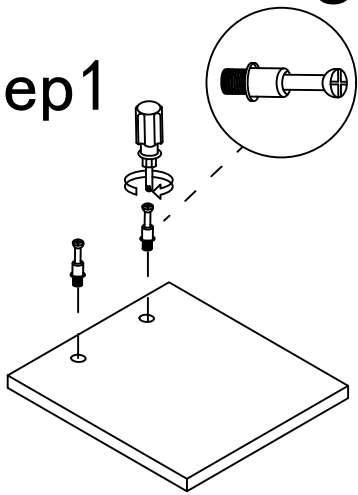
4

Product structure decomposition

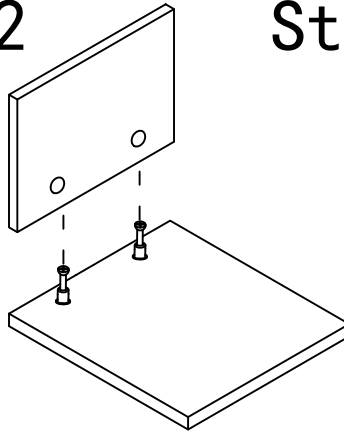


Use parts ① and ②

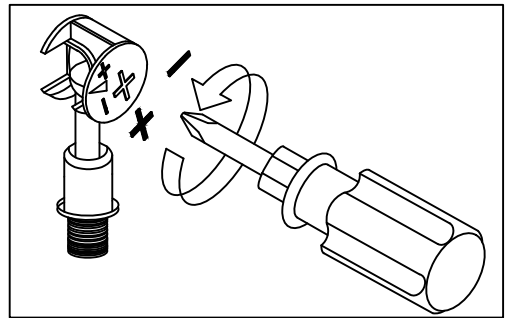
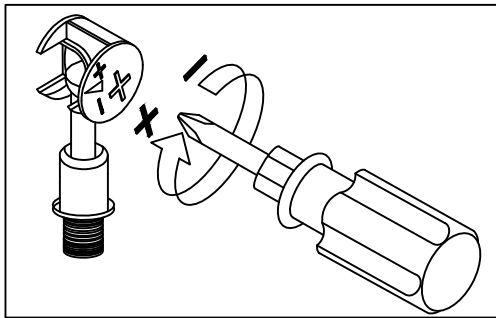
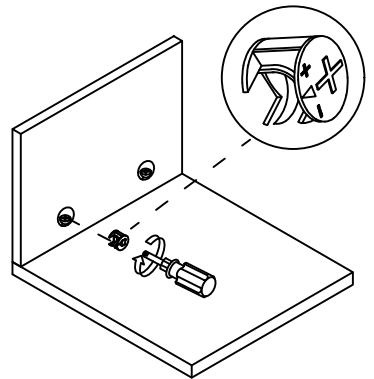
Step1



Step2



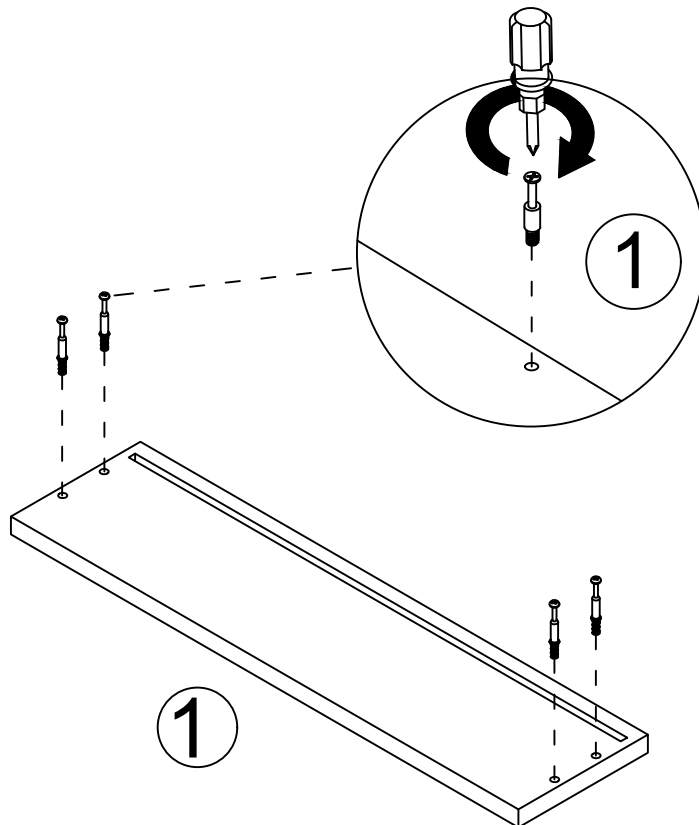
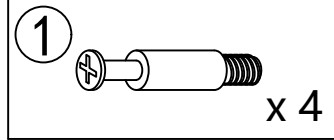
Step3



Use a screwdriver to lock in the direction of the "+" sign


Disassemble along the direction of "-" sign

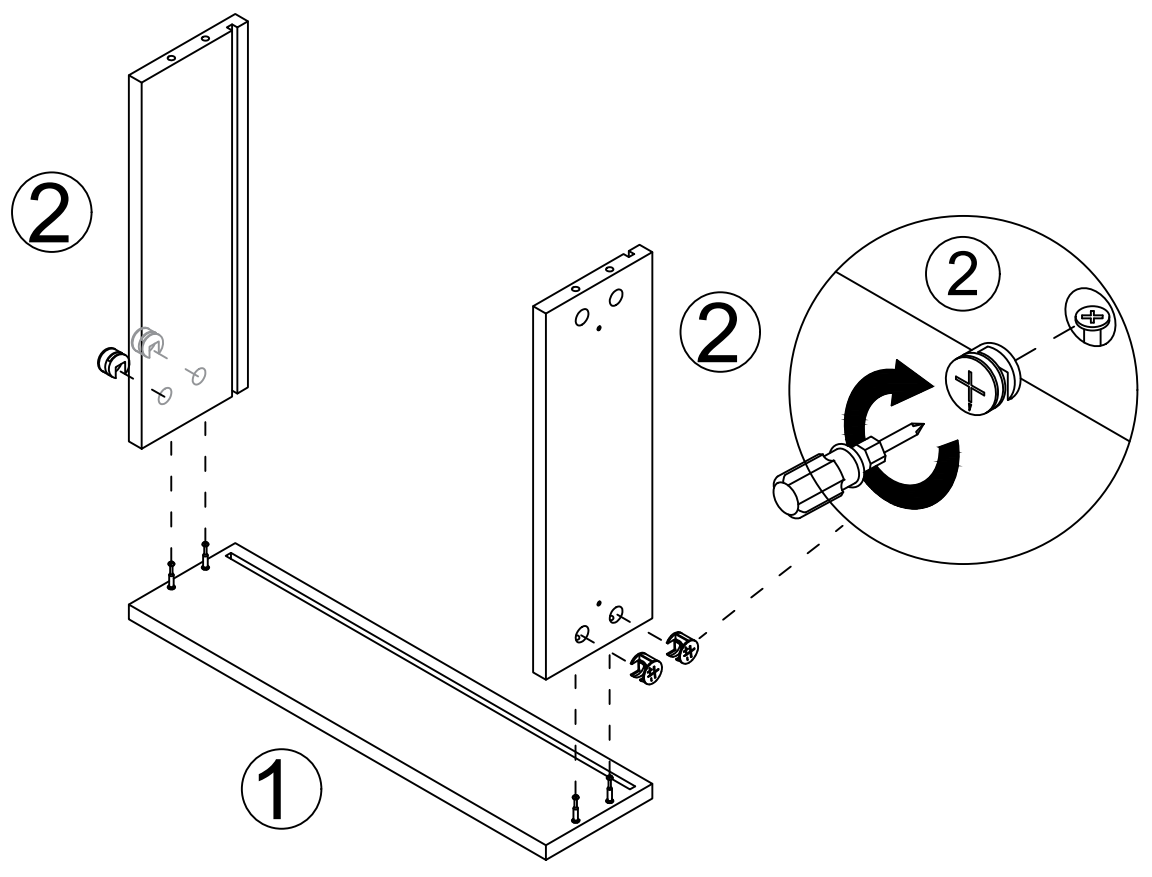
Step 1



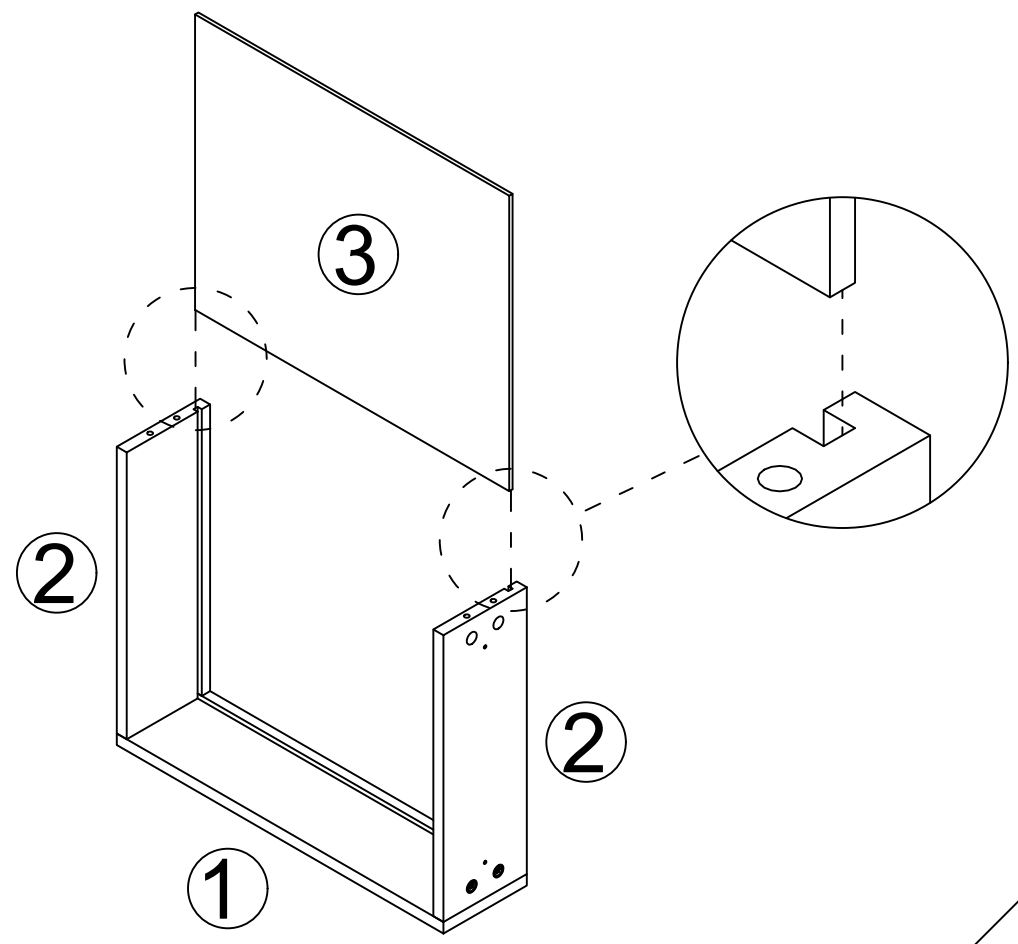
6

Step 2

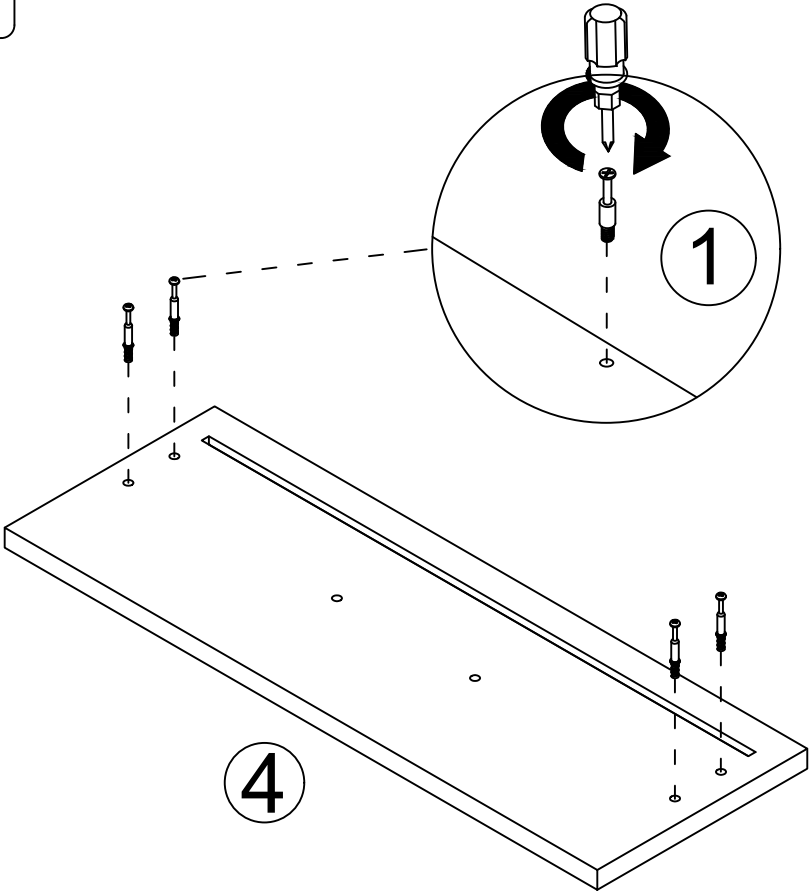
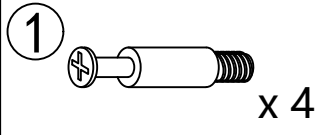
②  x 4



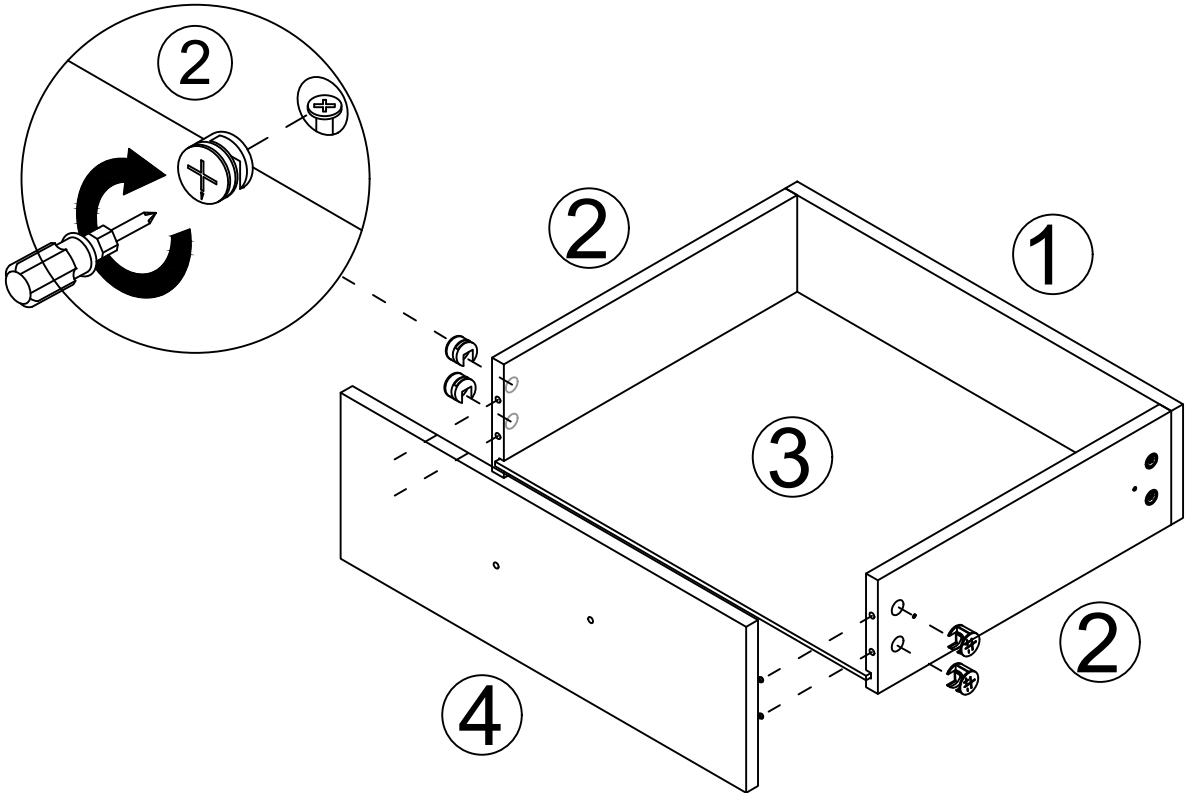
Step 3



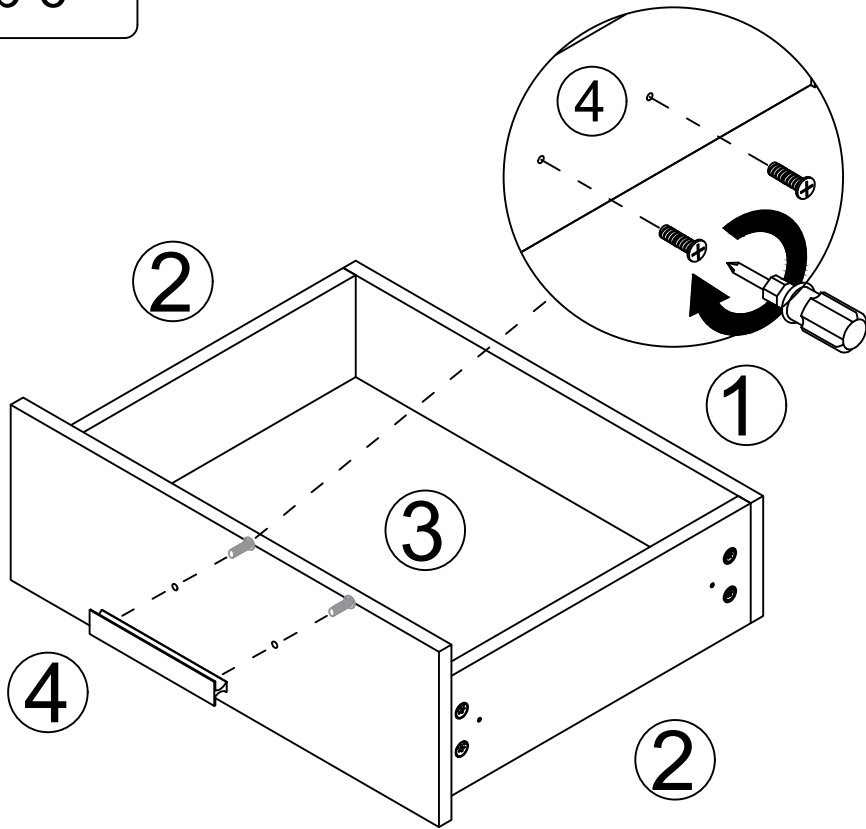
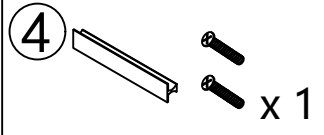
Step 4



Step 5

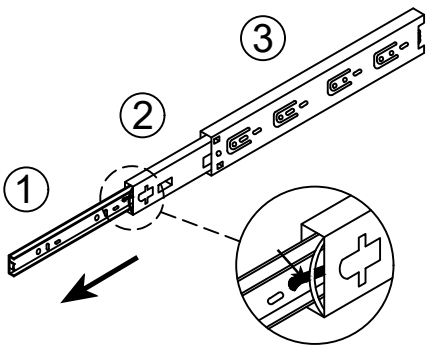


Step 6



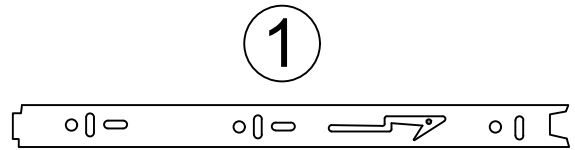
Step 7

Exploded view of drawer guide rail



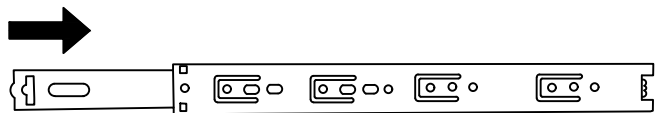
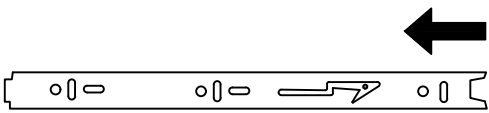
Step 1 : Pull the rails apart

Step 2 : Push the nylon buckle outward ①



②

③

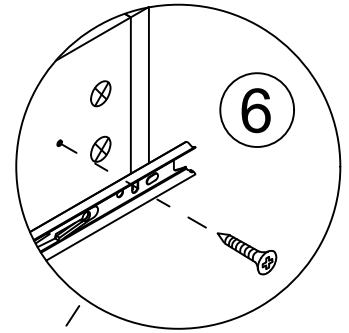
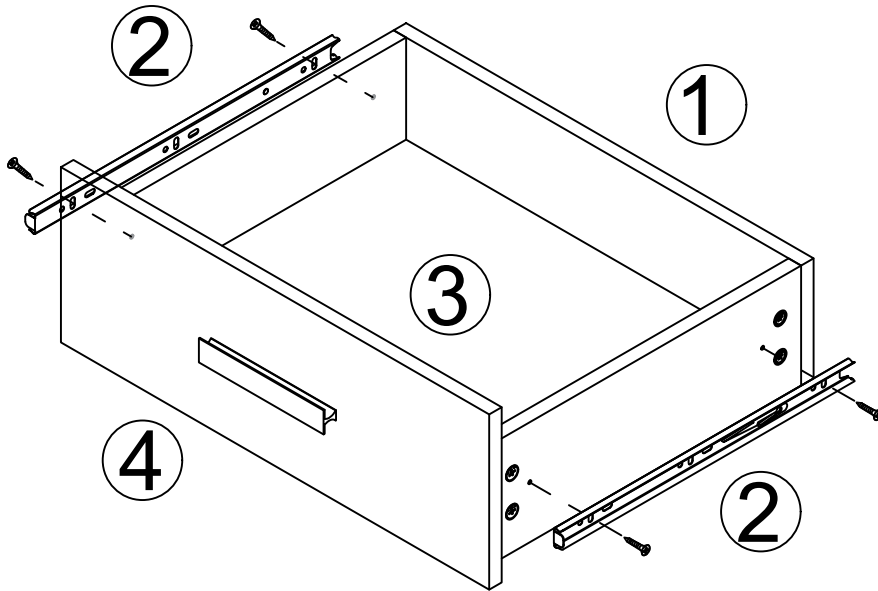
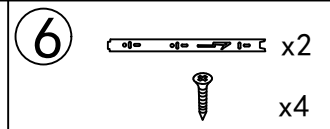
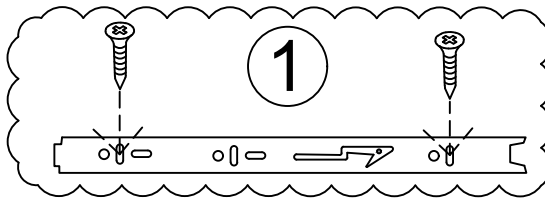


①

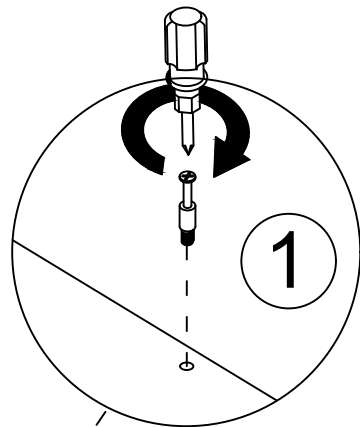
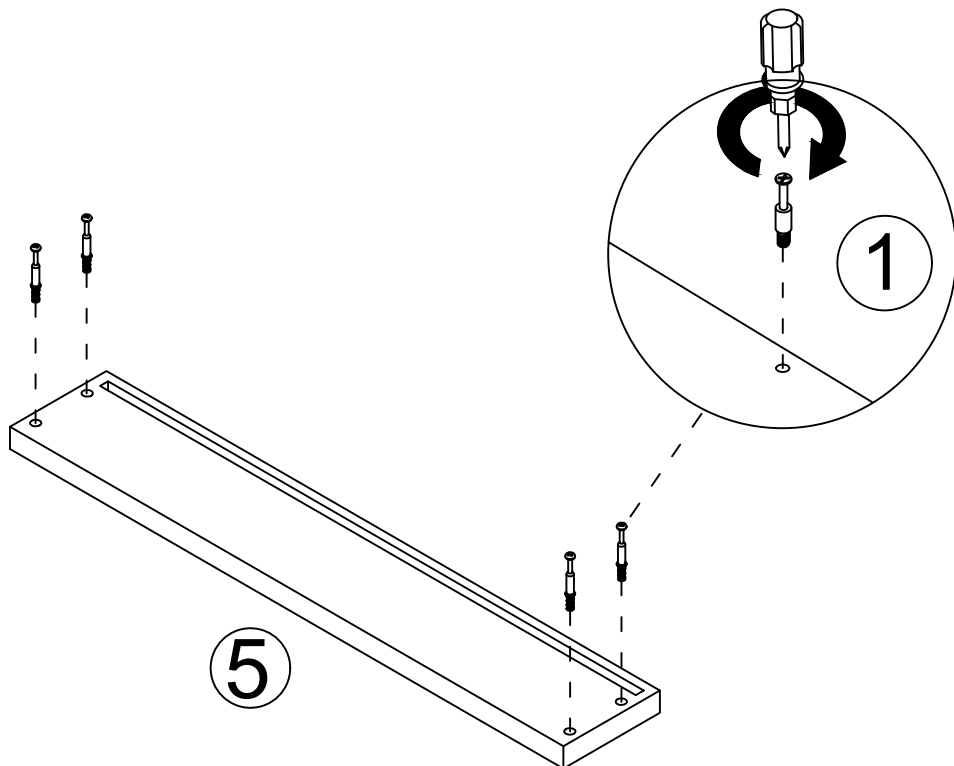
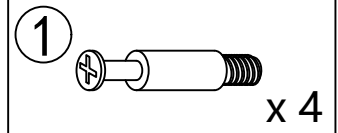
②

③

Step 8

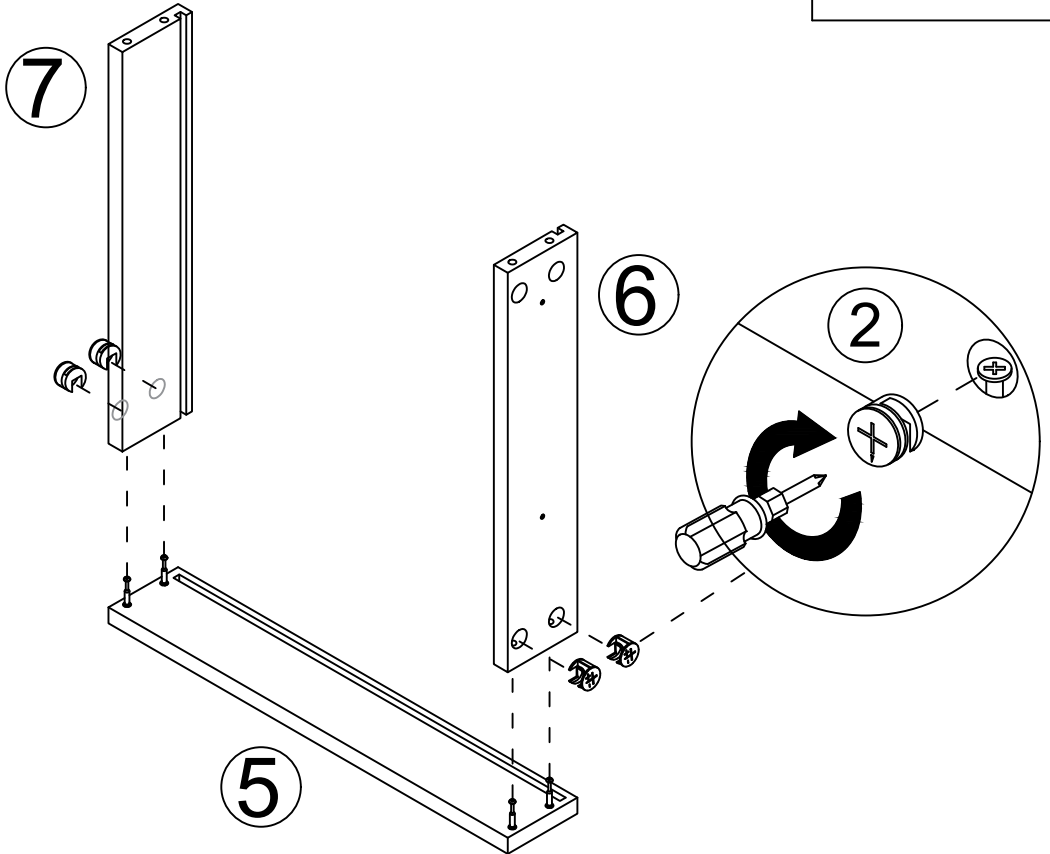


Step 9

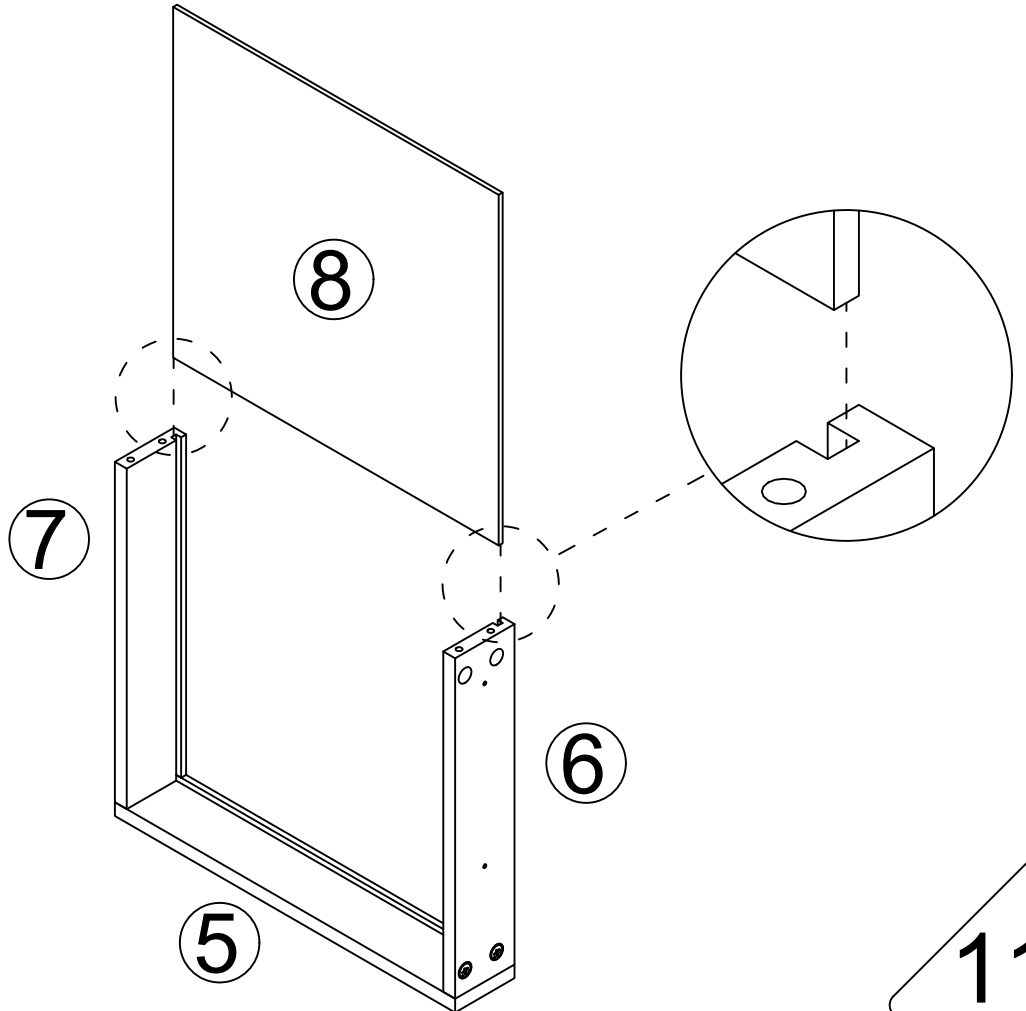


Step 10

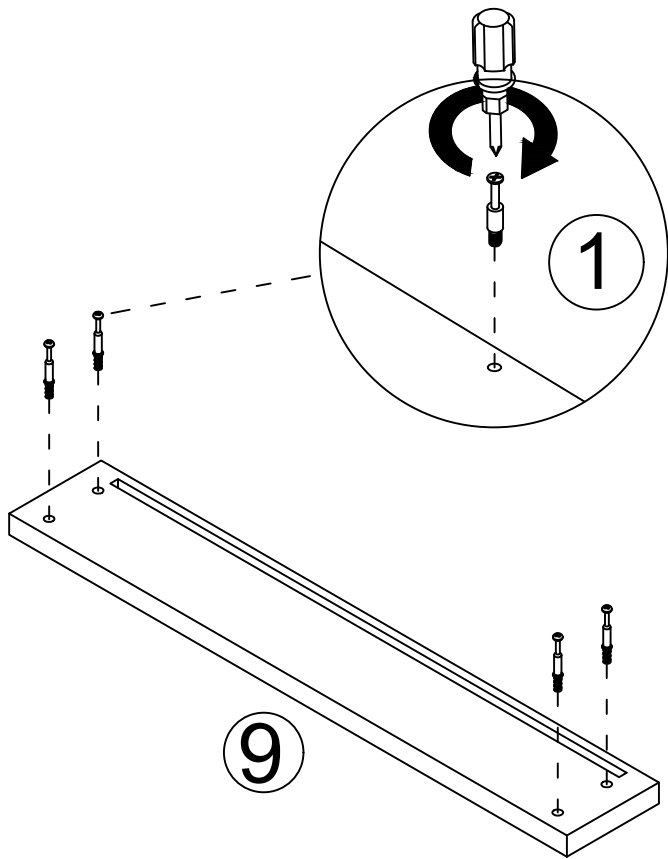
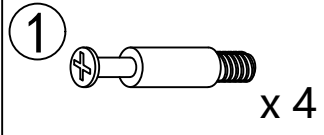
②  x 4



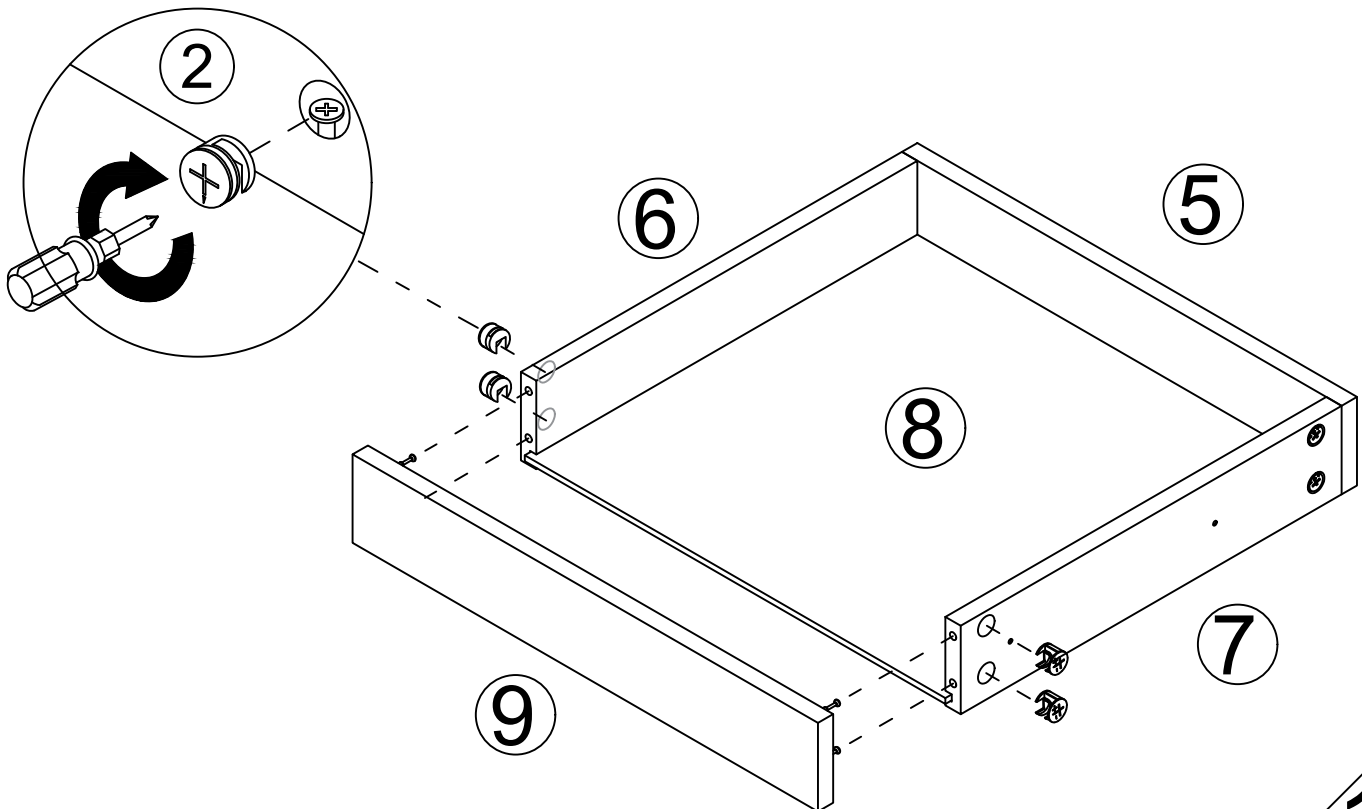
Step 11



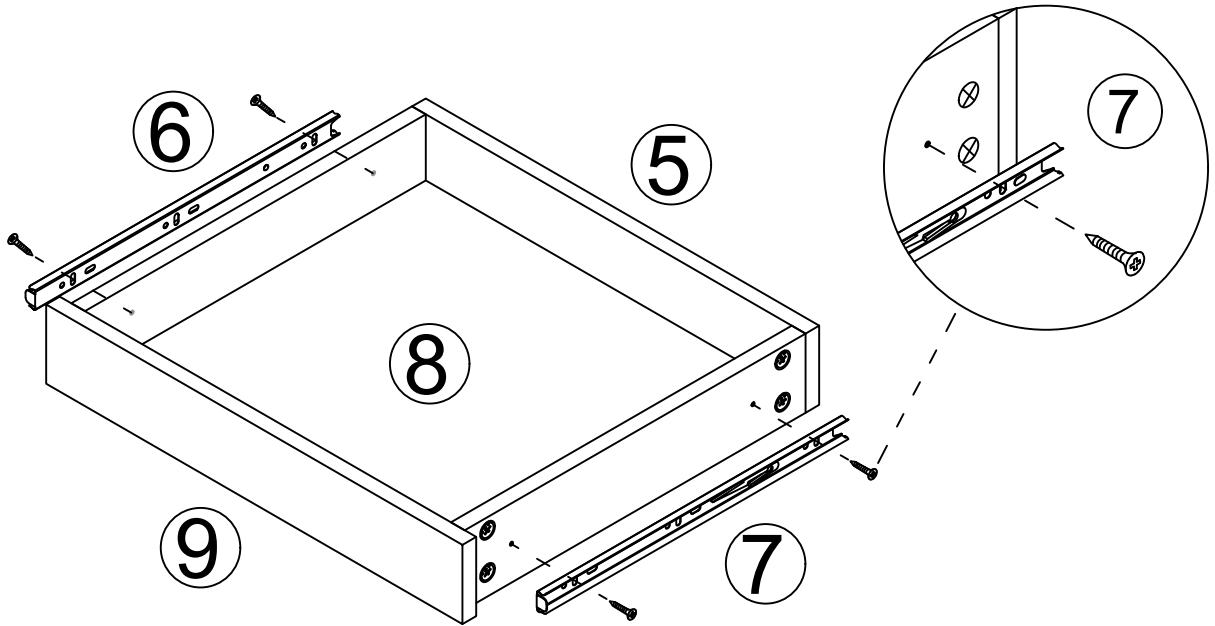
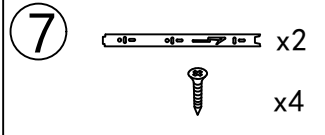
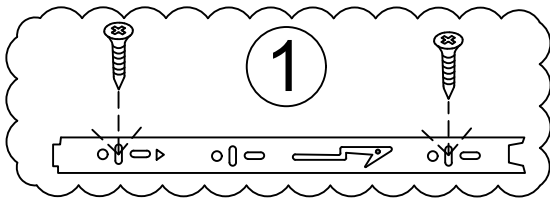
Step 12



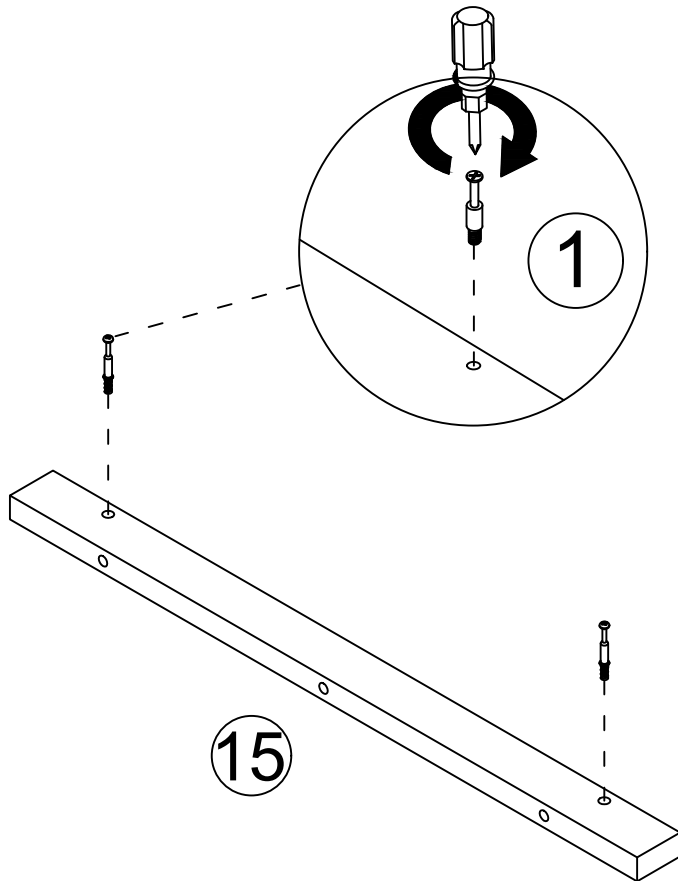
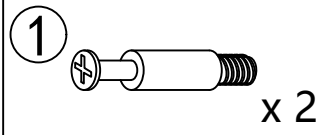
Step 13



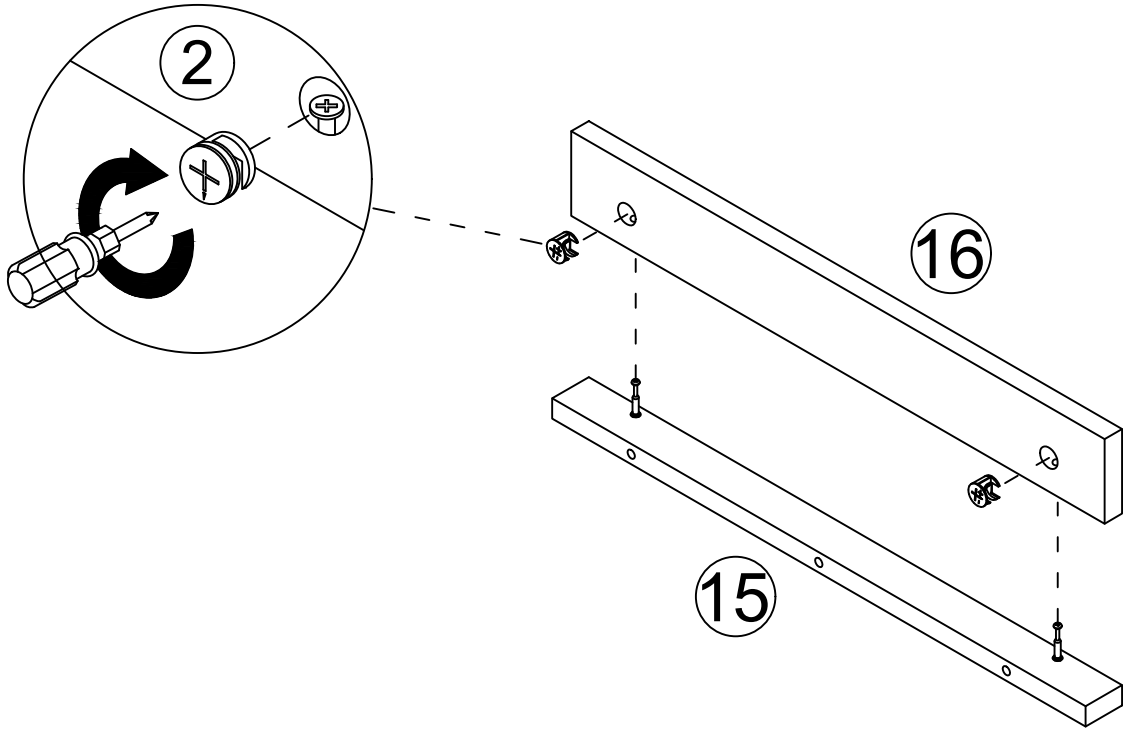
Step 14



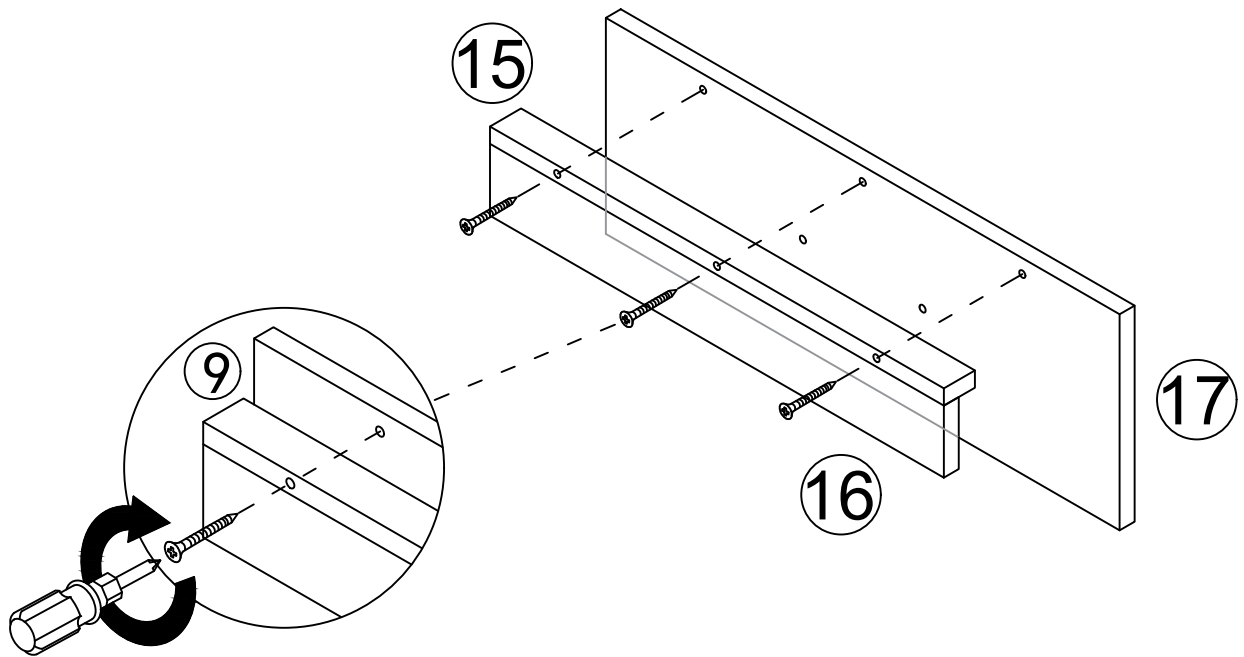
Step 15



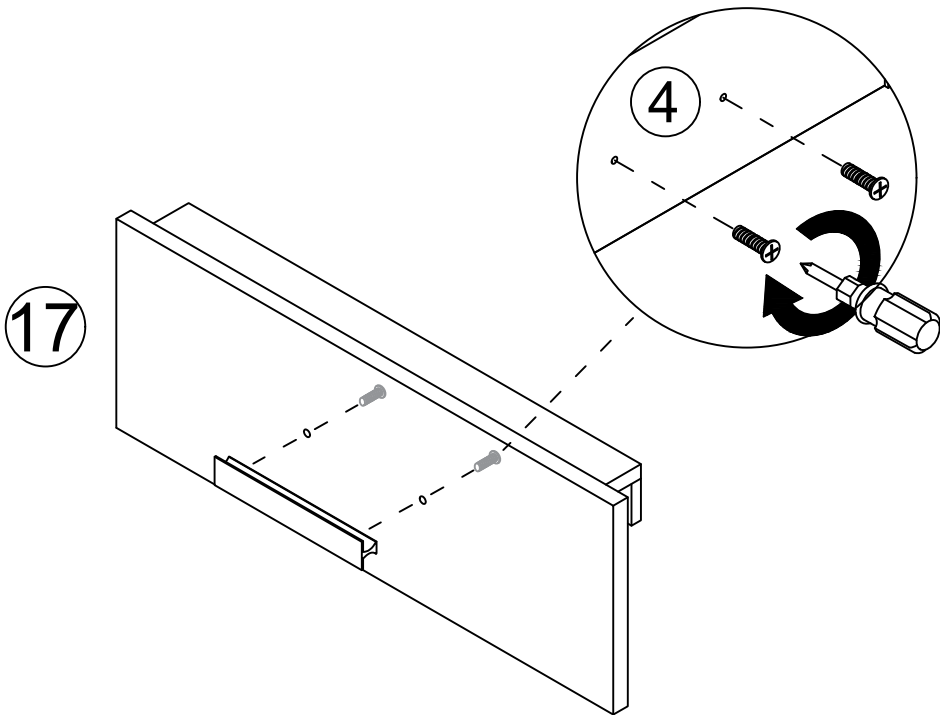
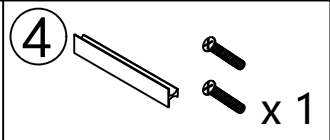
Step 16



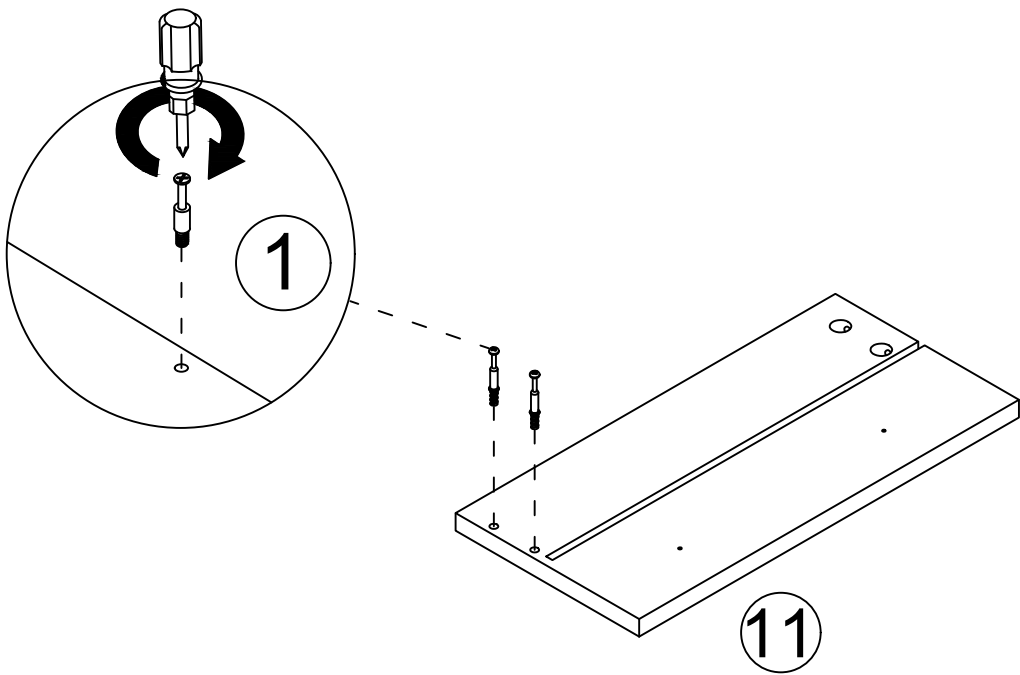
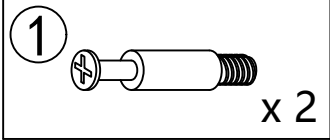
Step 17



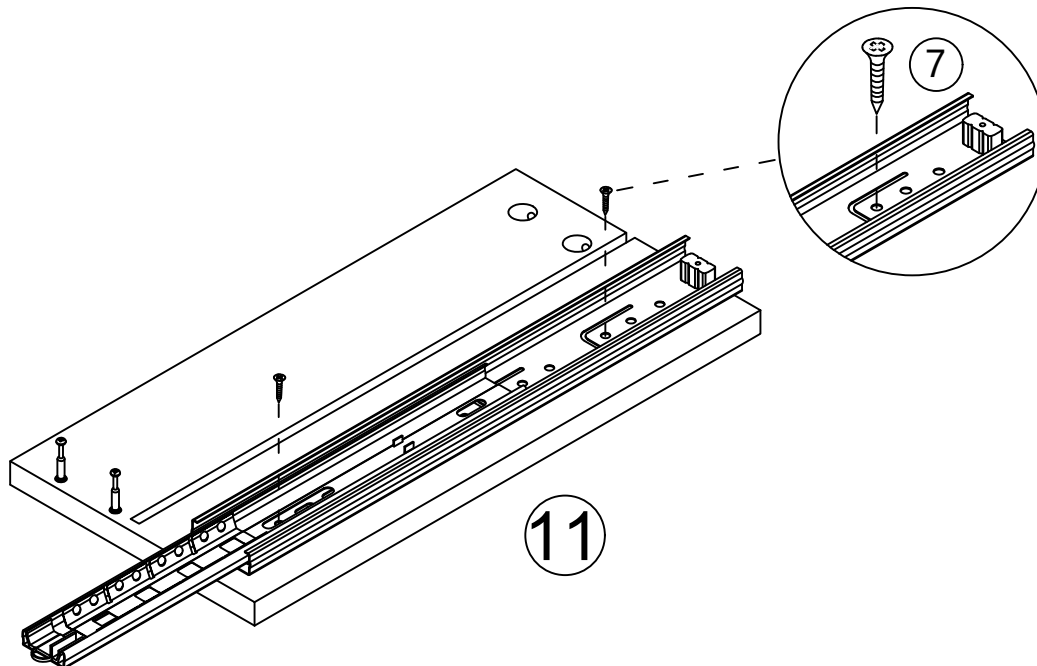
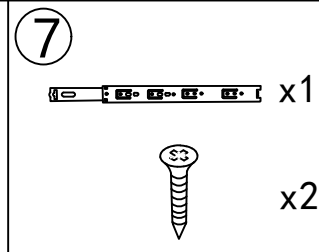
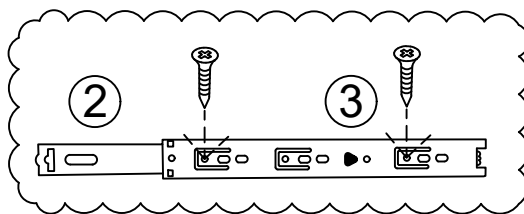
Step 18



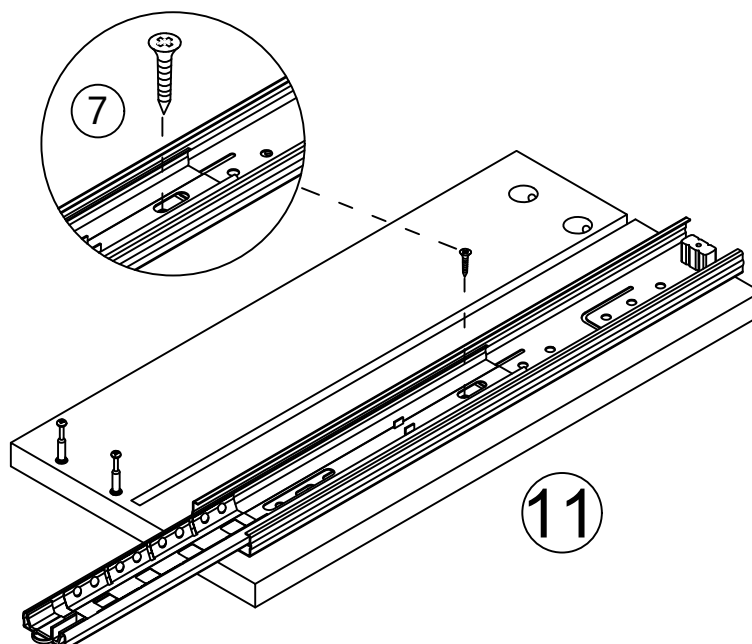
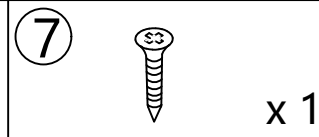
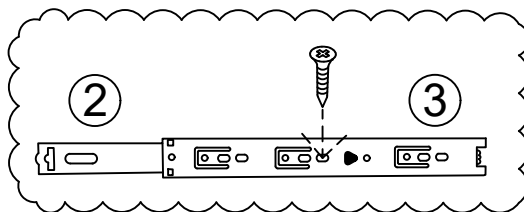
Step 19



Step 20

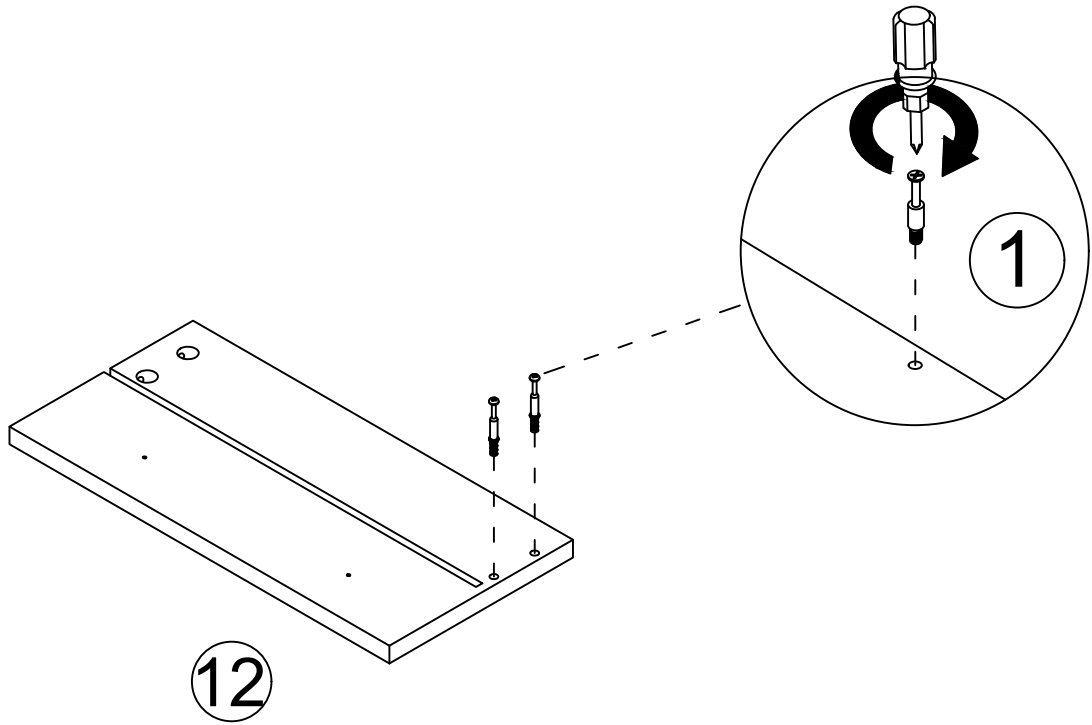
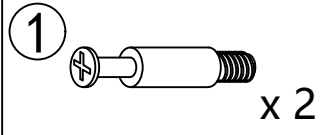


Step 21

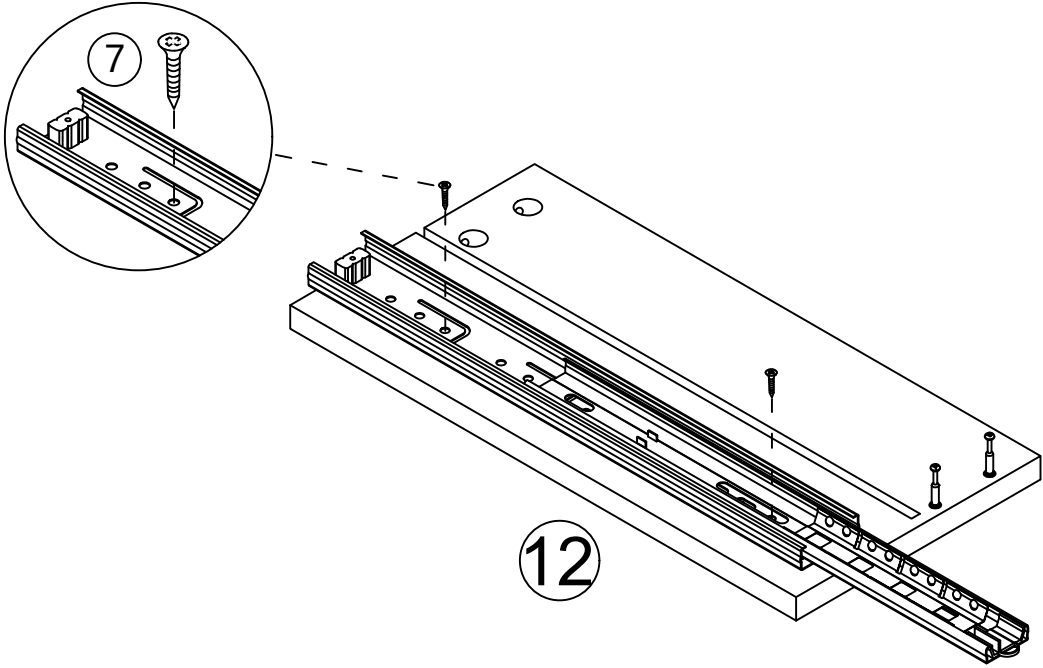
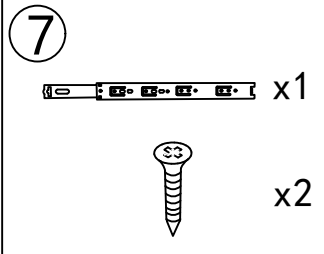
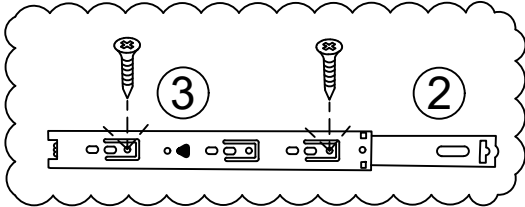


This hole is for strengthening fixed hole customers can choose to install according to their needs.

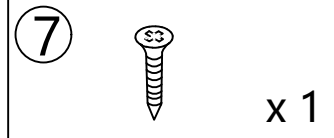
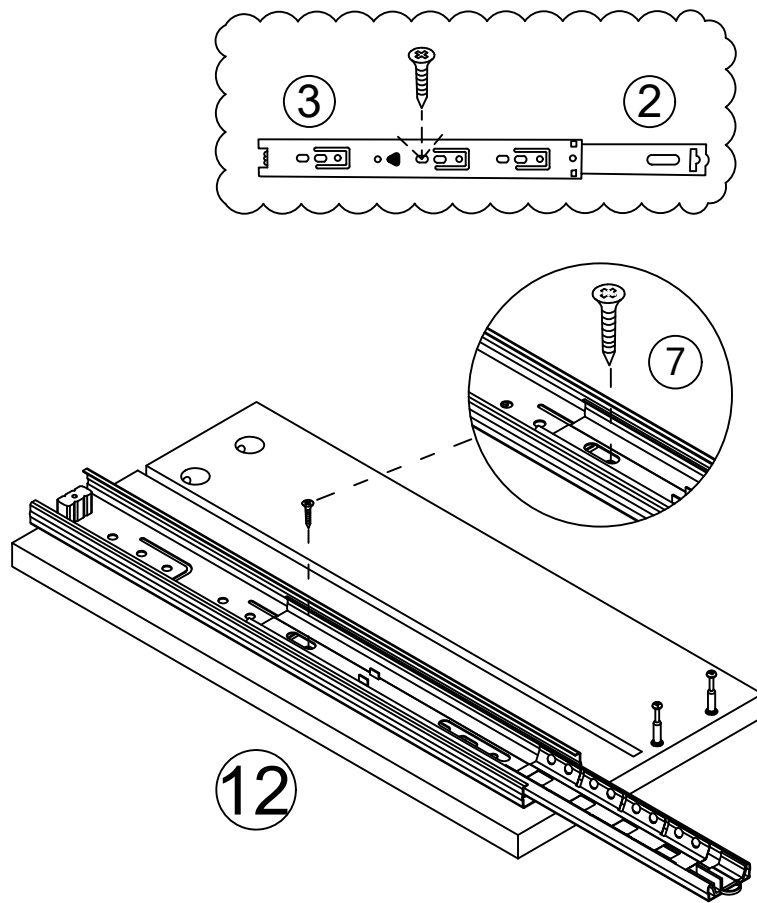
Step 22



Step 23

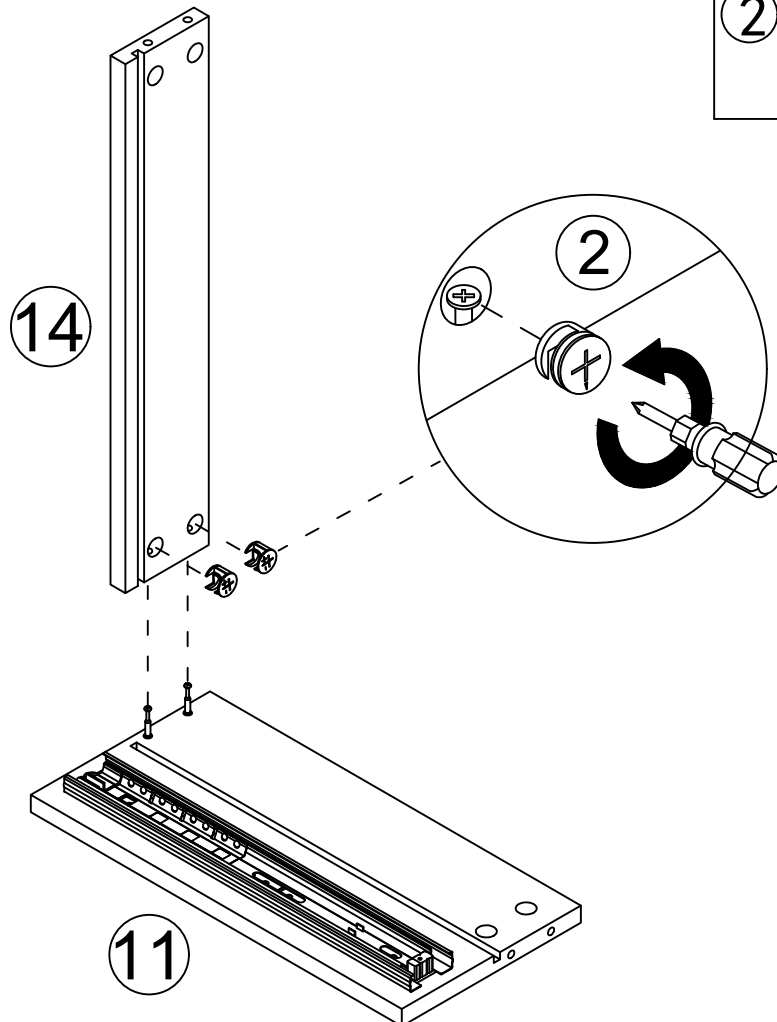


Step 24



This hole is for strengthening fixed hole customers can choose to install according to their needs.

Step 25

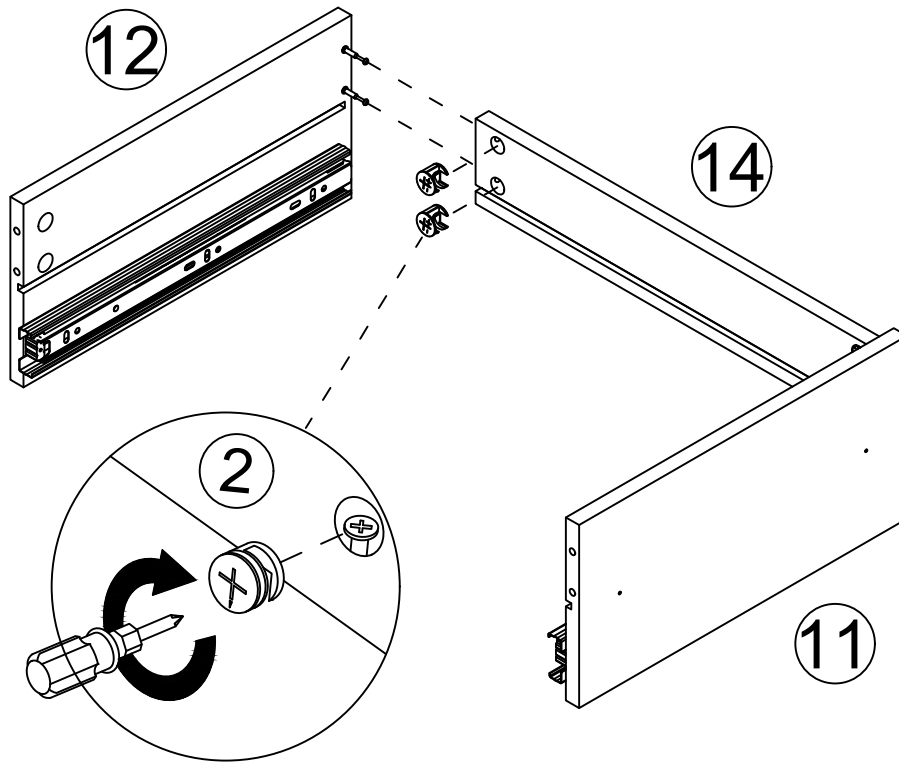


Step 26

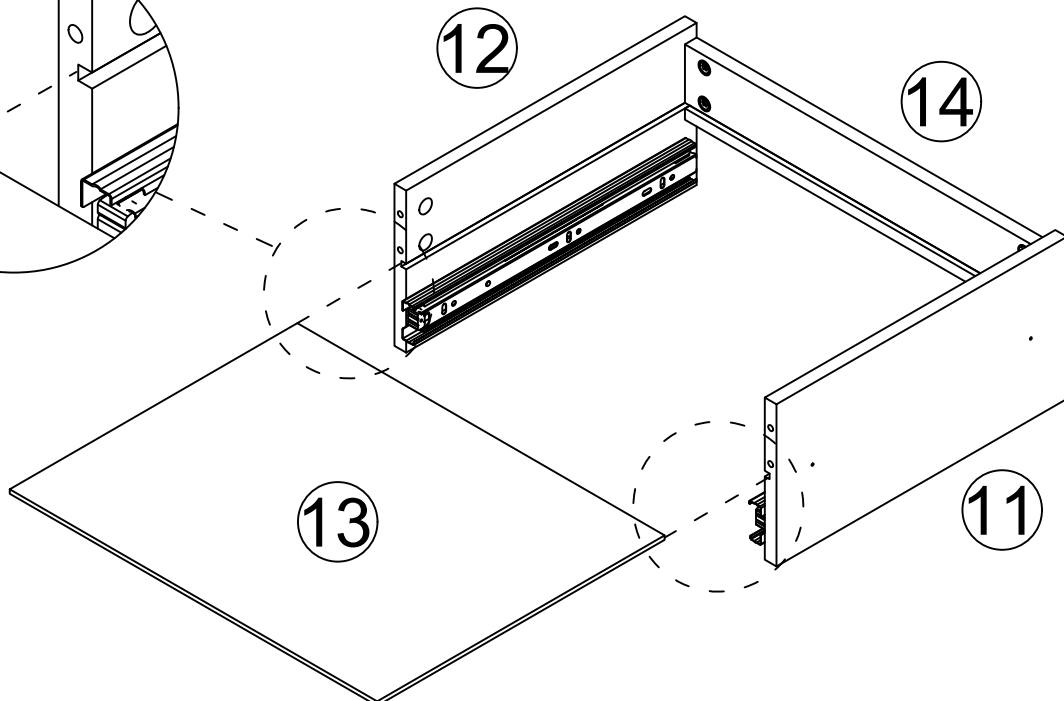
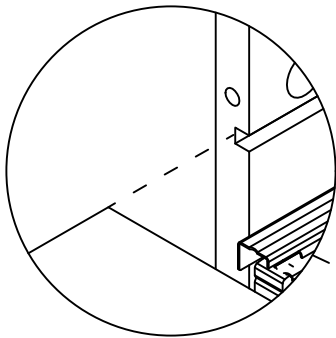
2



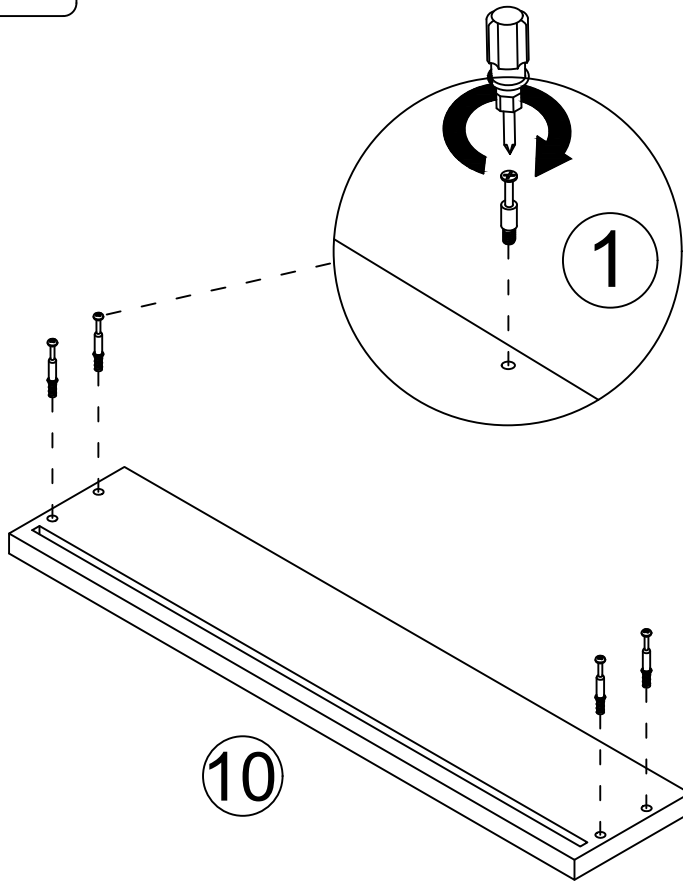
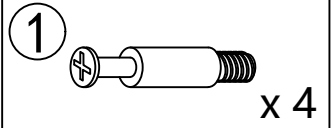
x 2



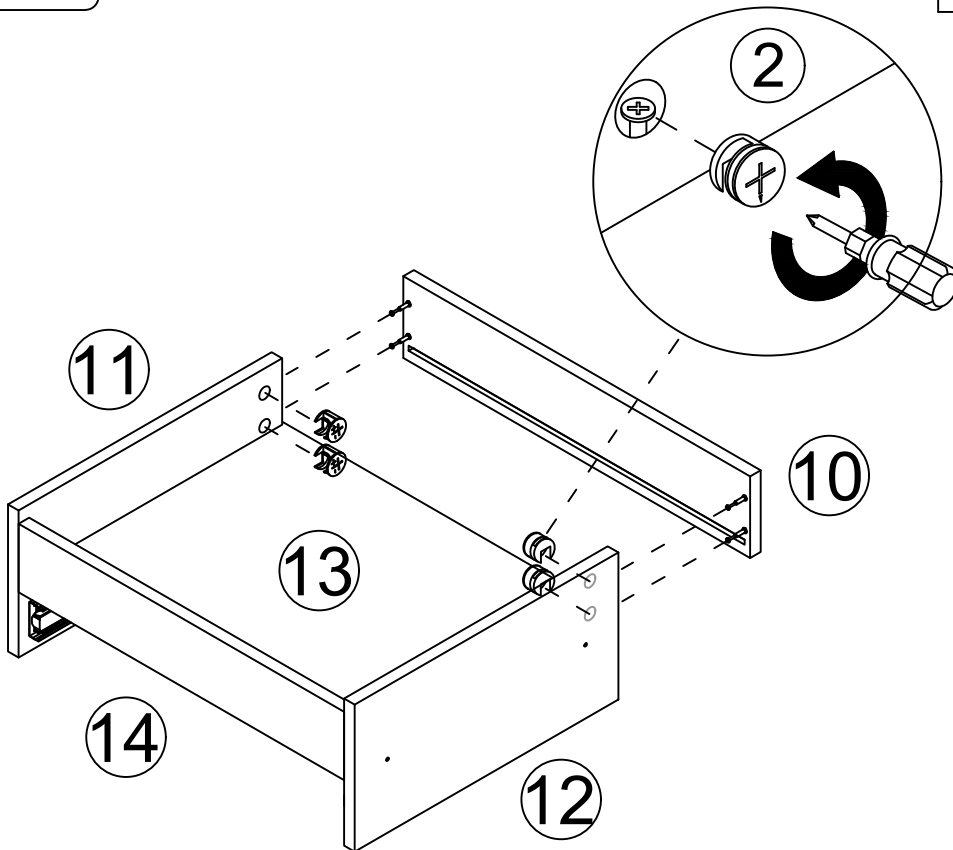
Step 27



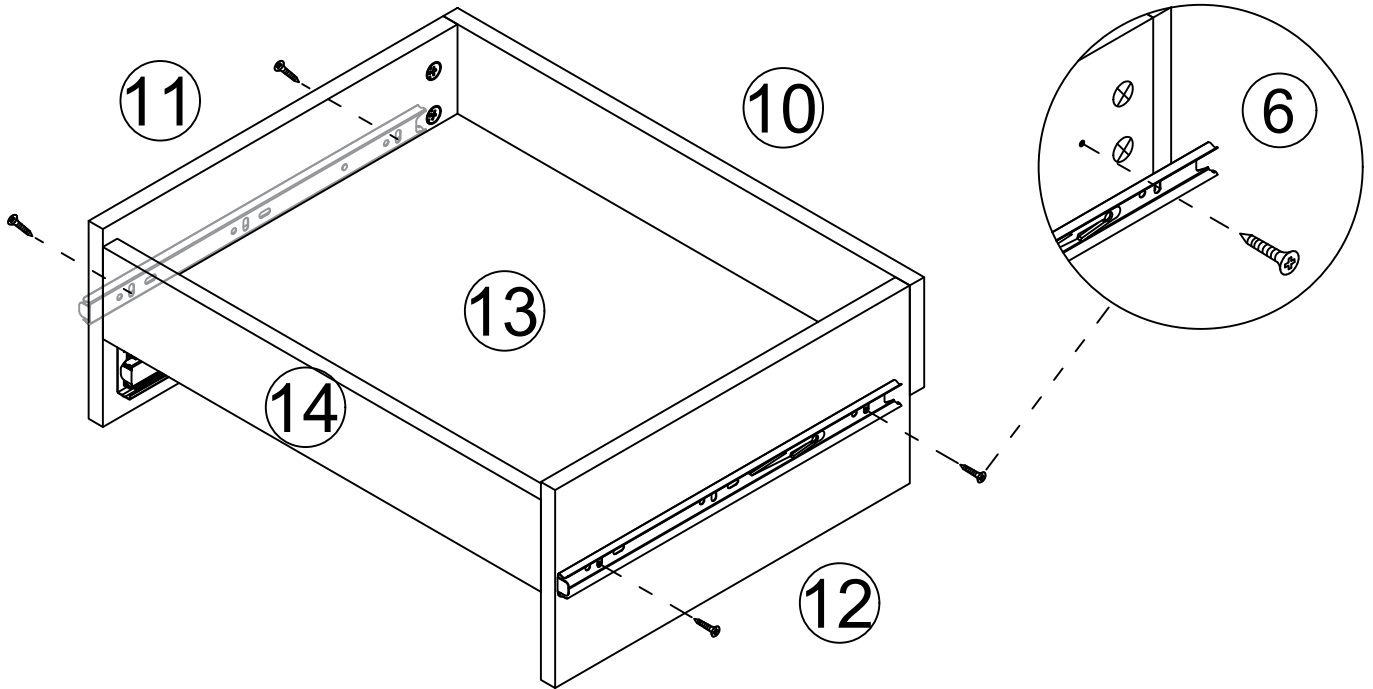
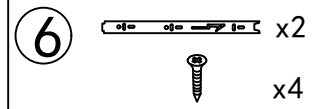
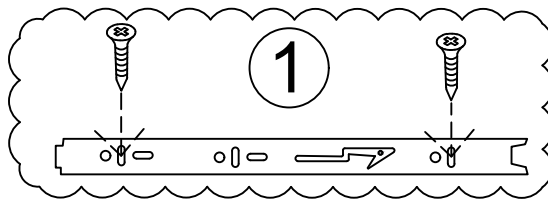
Step 28



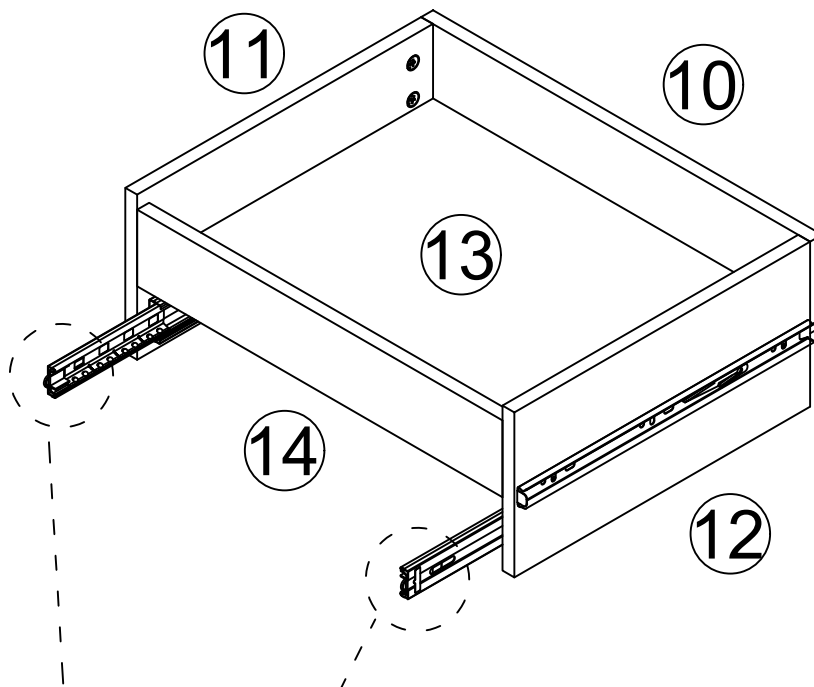
Step 29



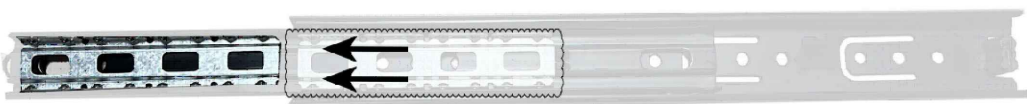
Step 30



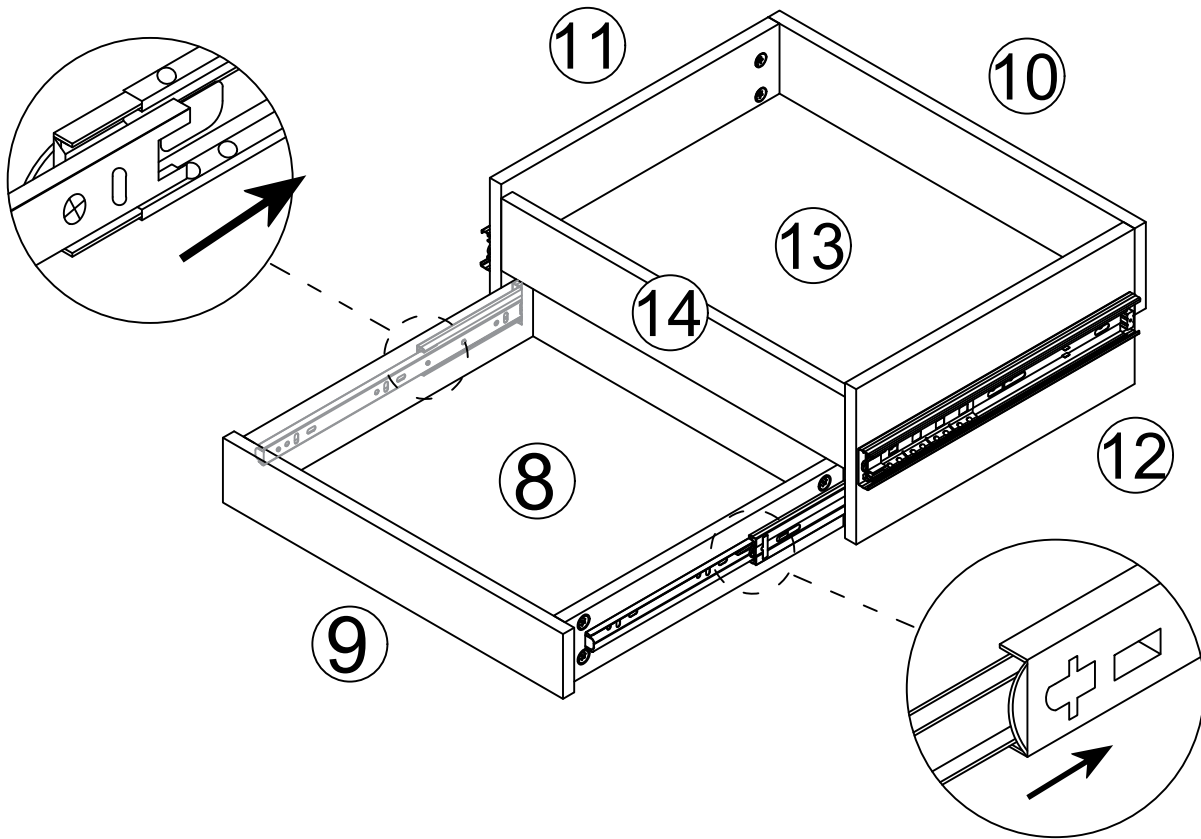
Step 31



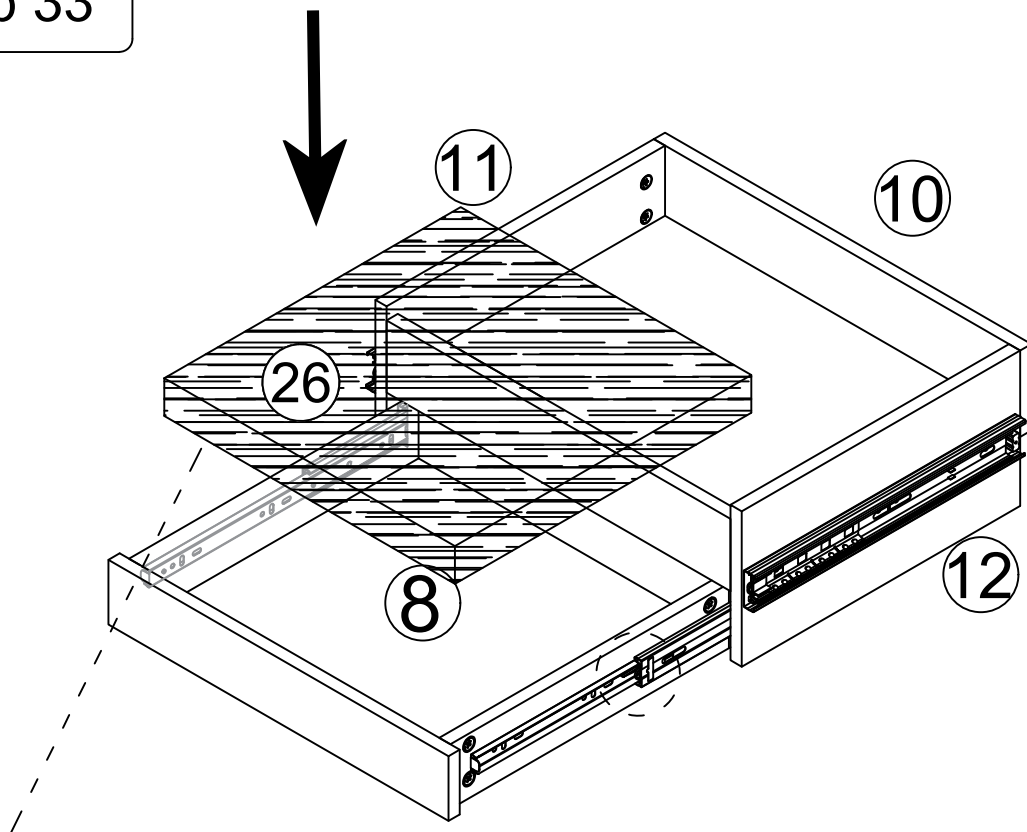
As shown, When installing the drawer, pull the guide rail out first, Slide beads are also pulled out.



Step 32

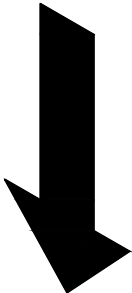


Step 33

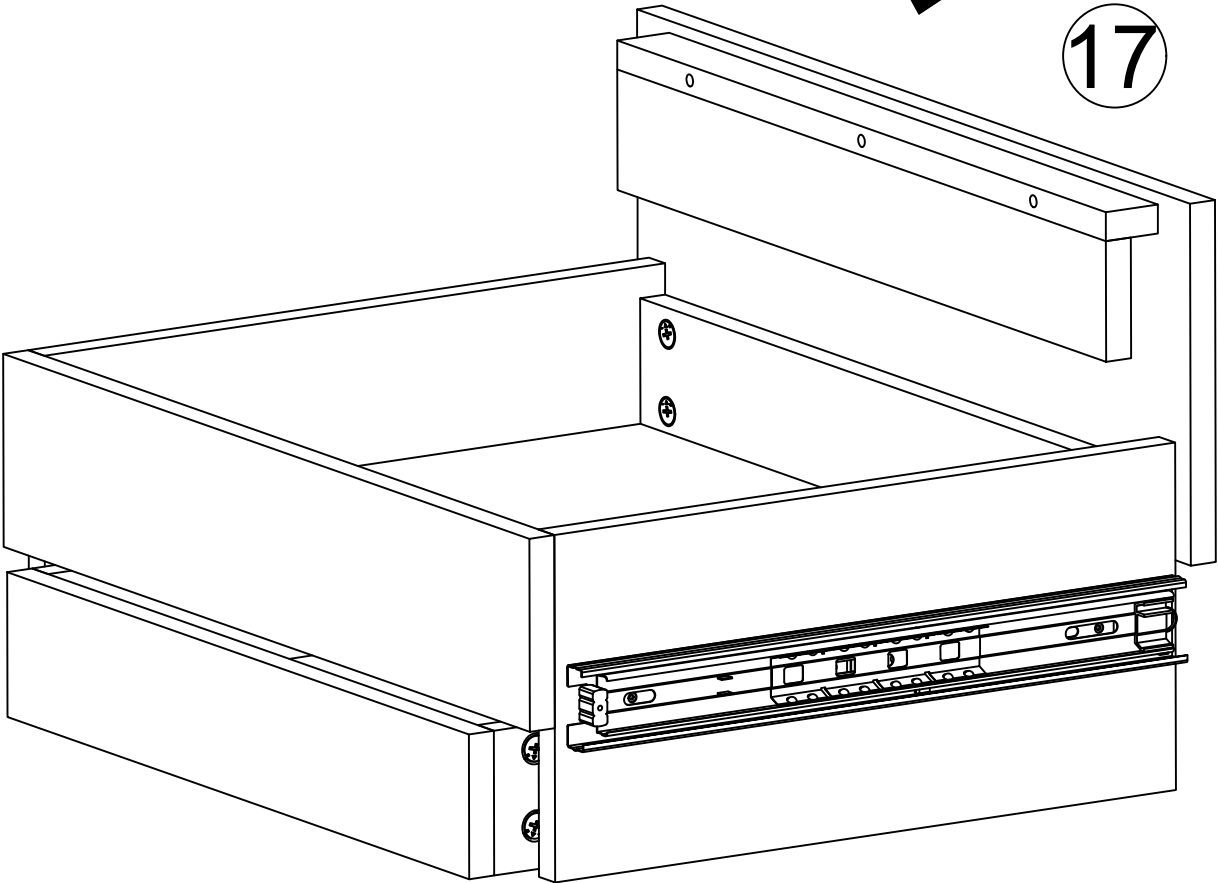


You can carve the desired shape with a knife

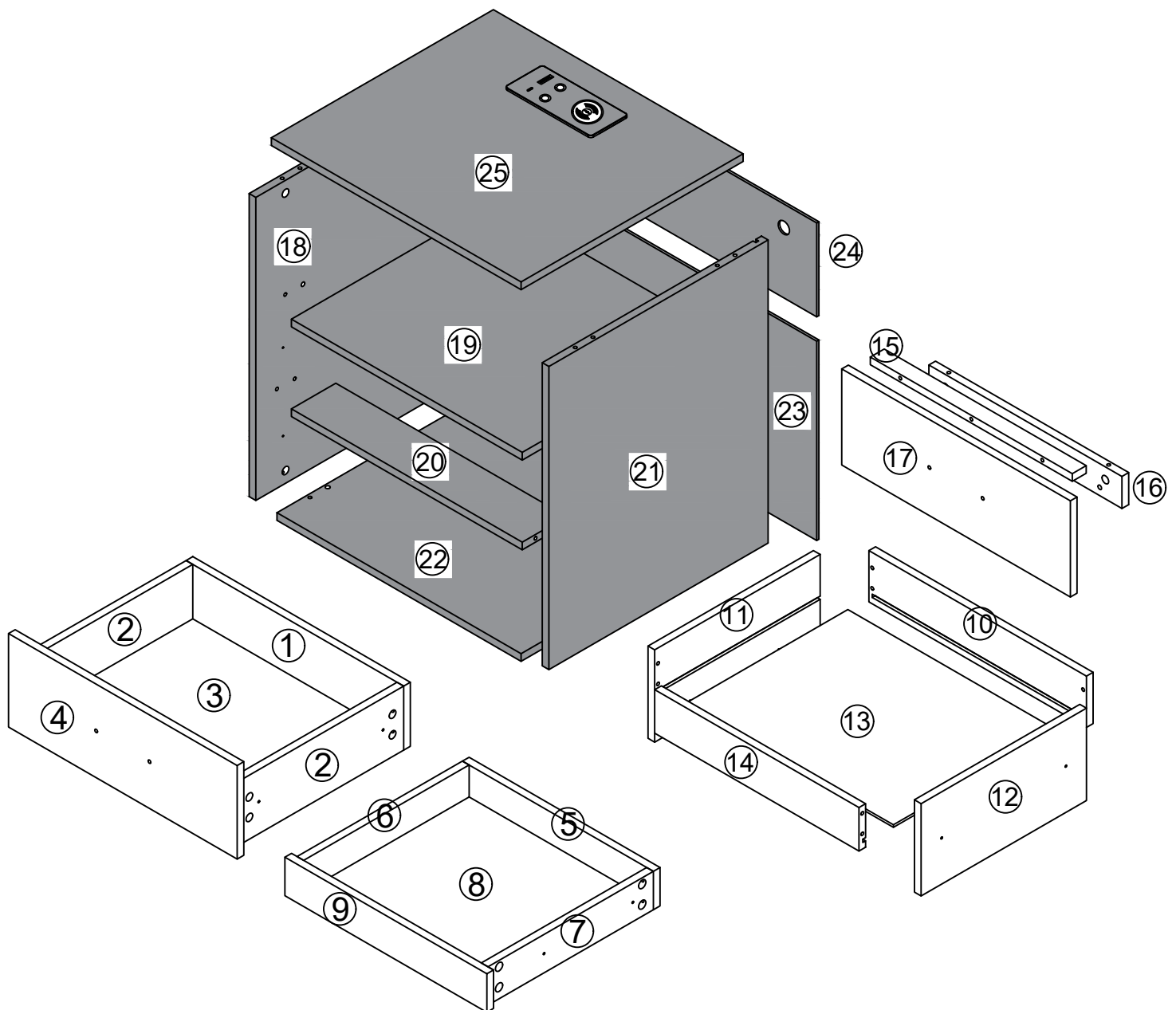
Step 34



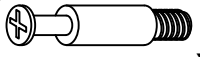
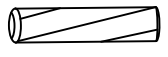
17

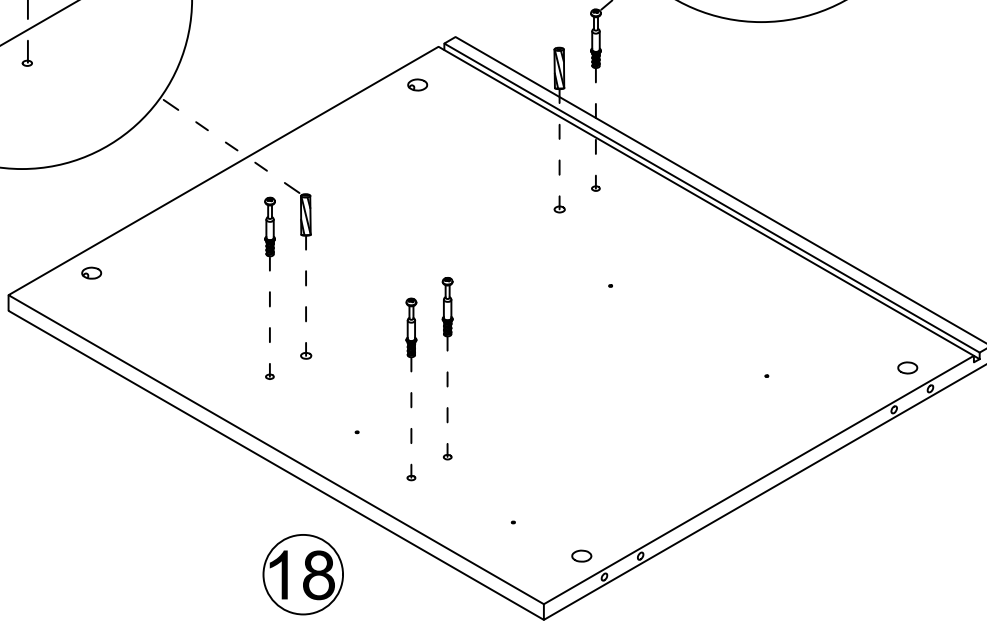
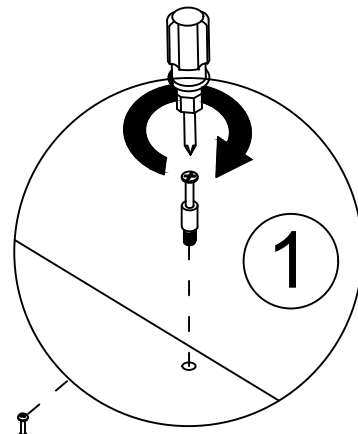
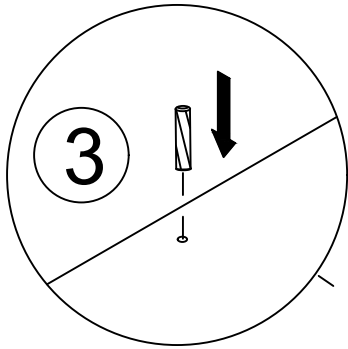


Product structure decomposition




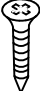
Step 35

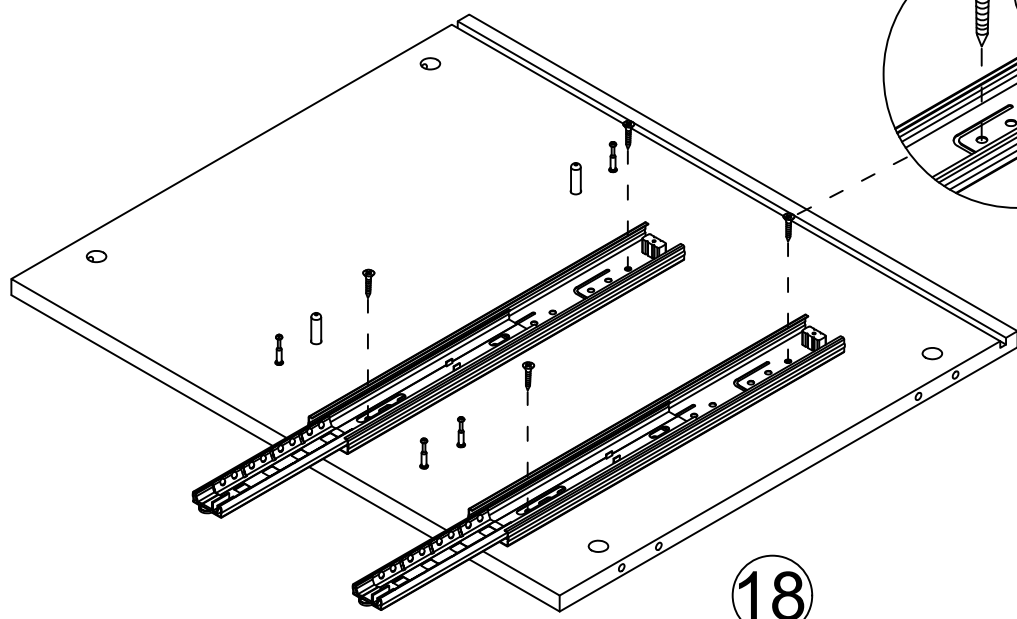
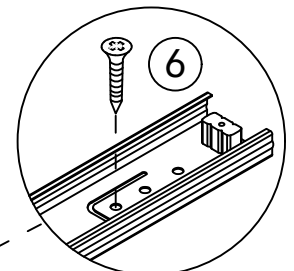
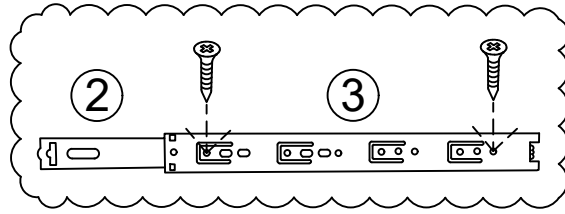
- ①  x 4
- ③  x 2



18

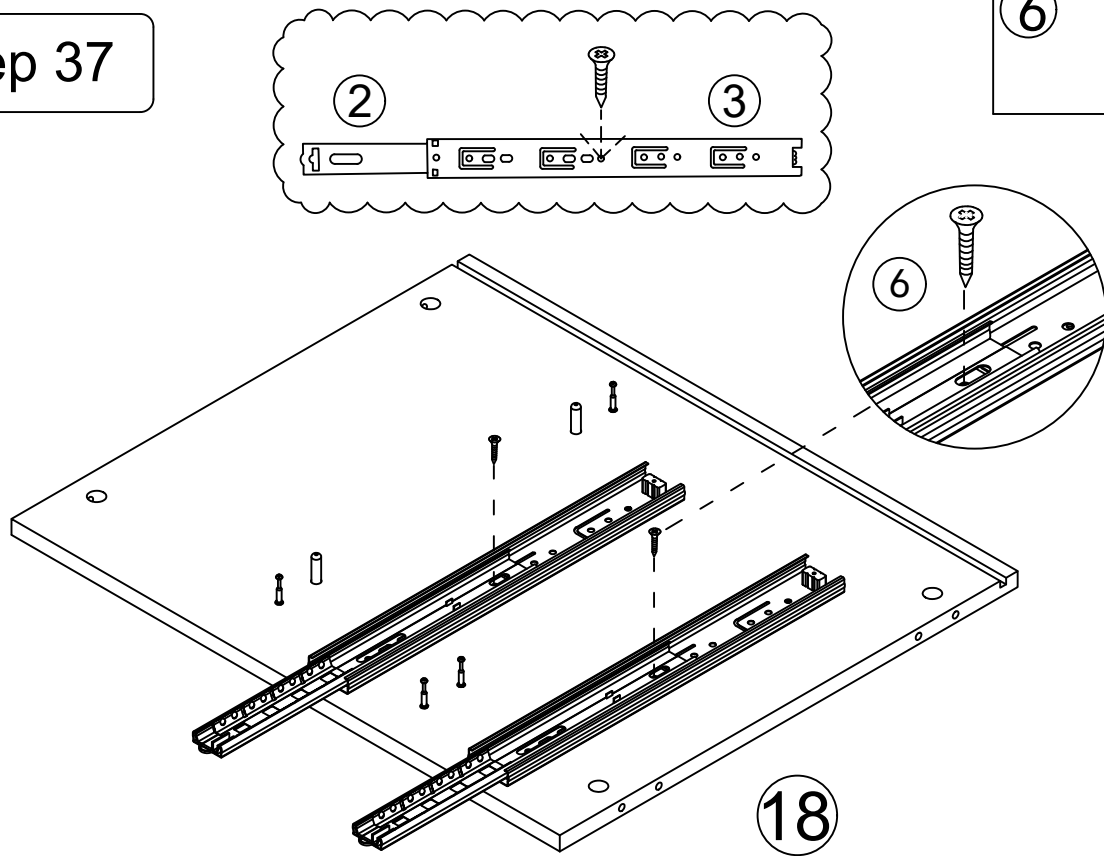
Step 36

- ⑥  x 2
-  x 4



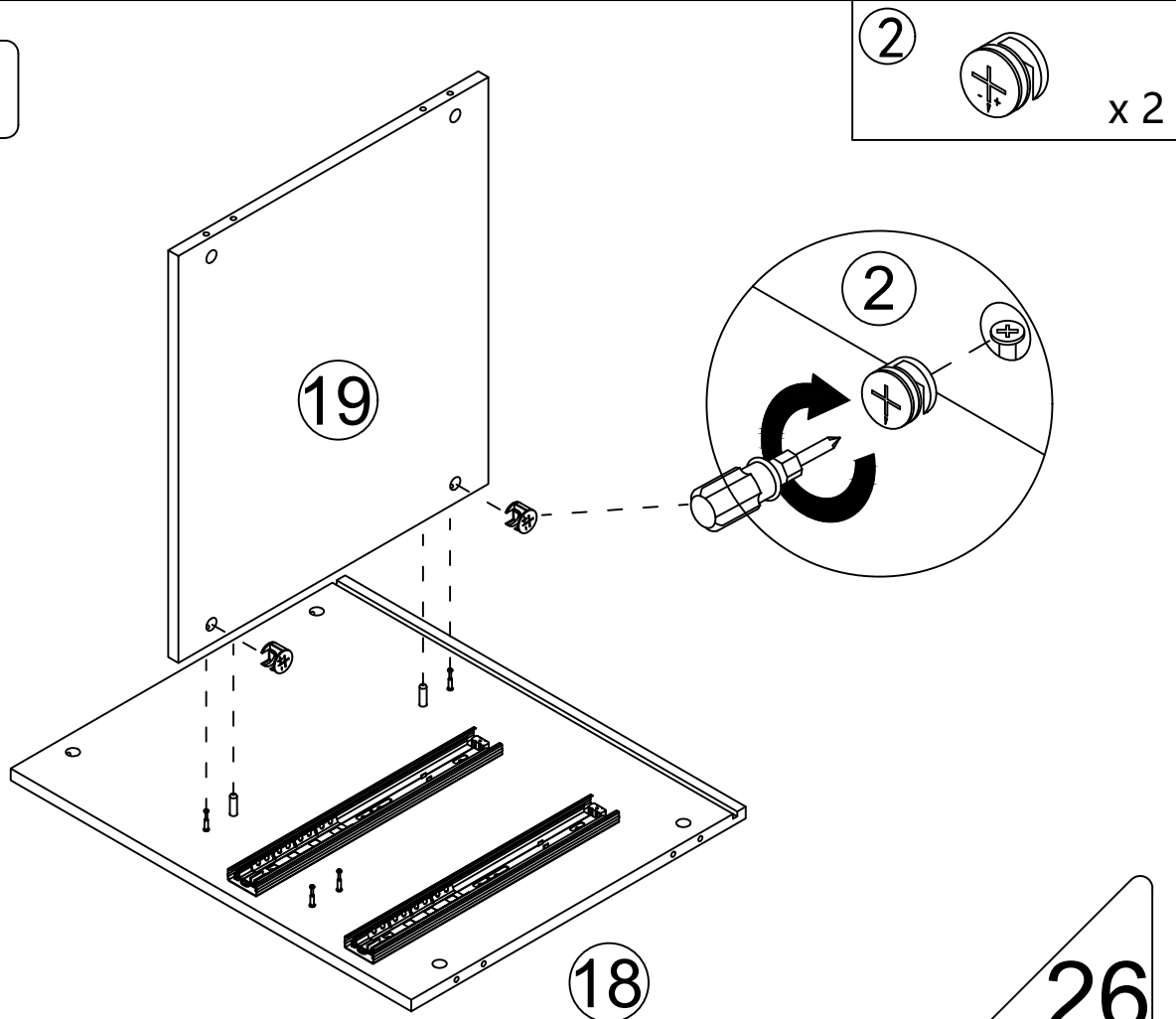
18

Step 37

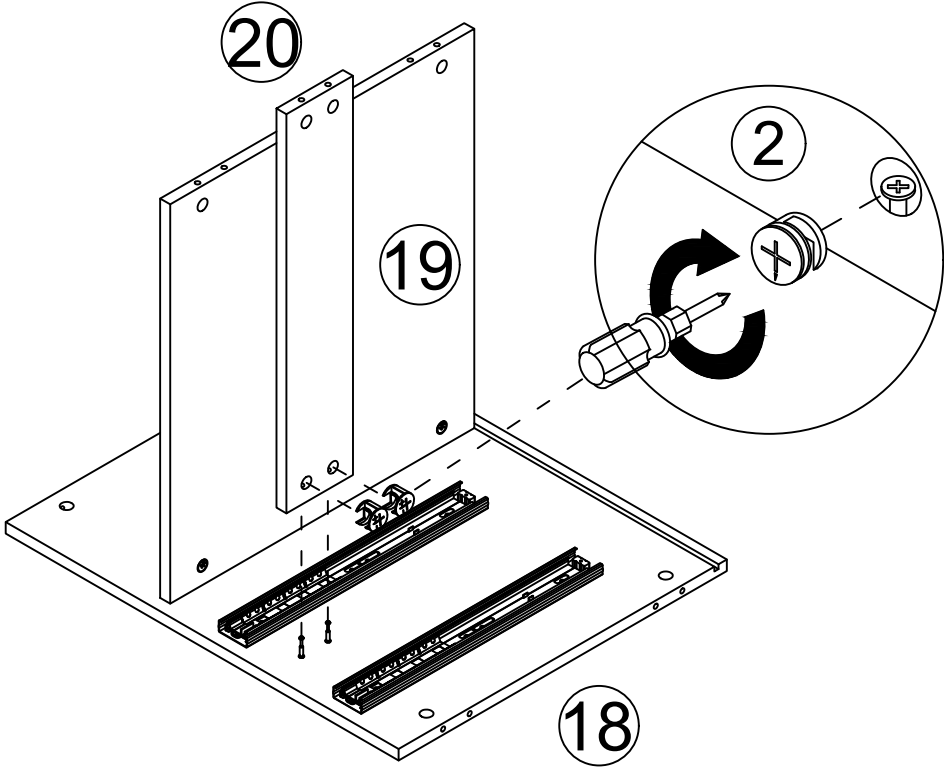


This hole is for strengthening fixed hole customers can choose to install according to their needs.

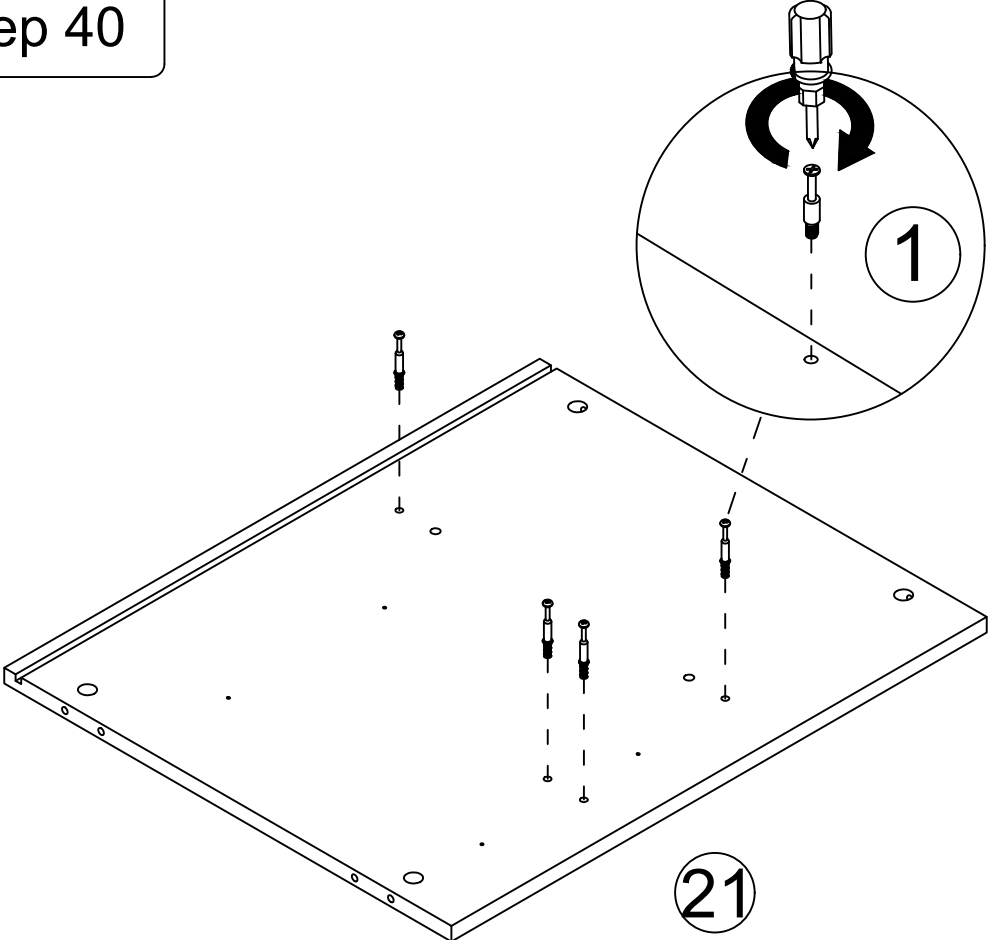
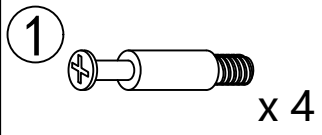
Step 38



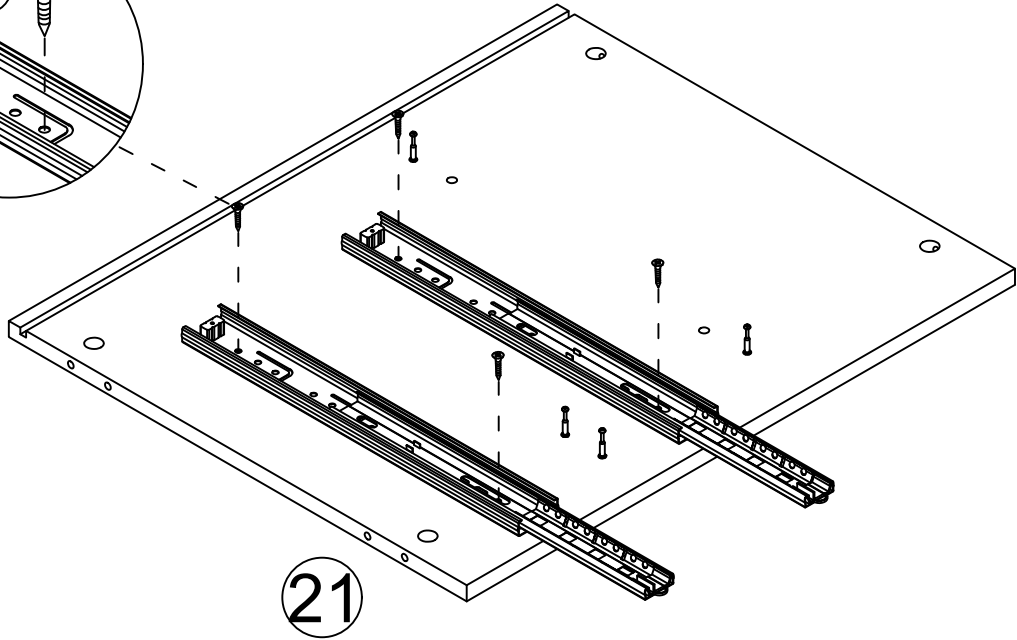
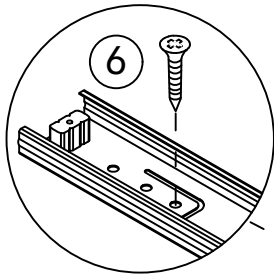
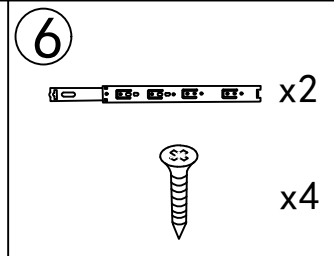
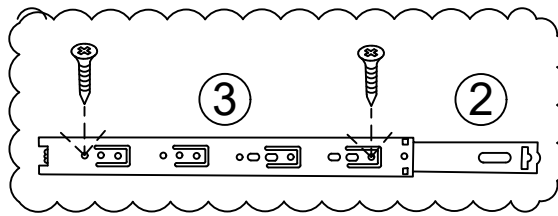
Step 39



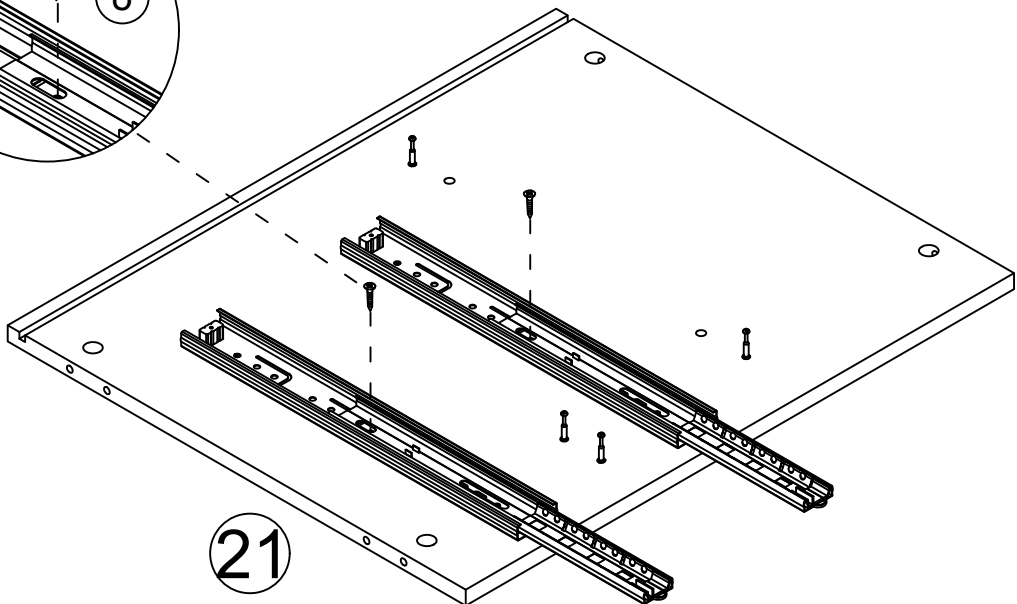
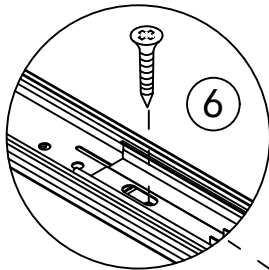
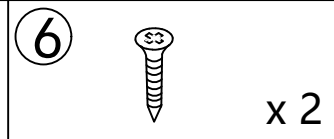
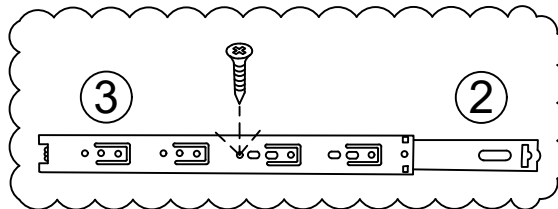
Step 40



Step 41

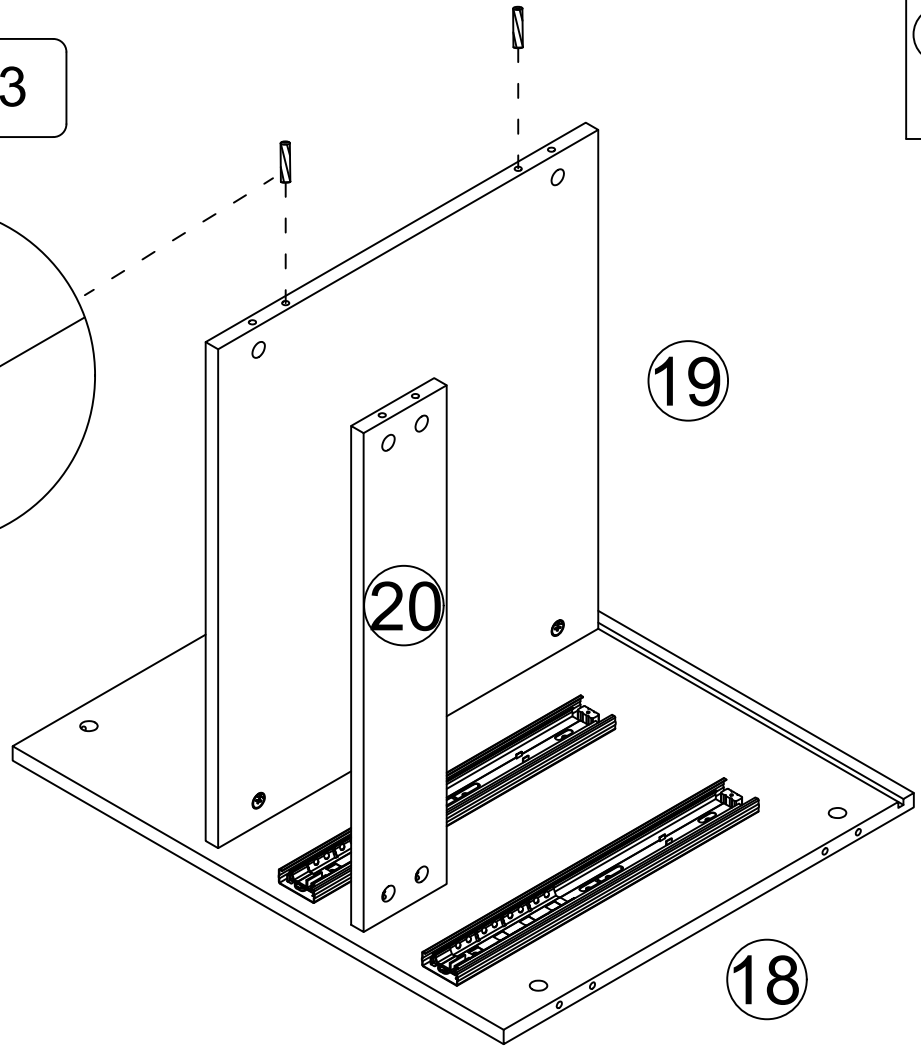
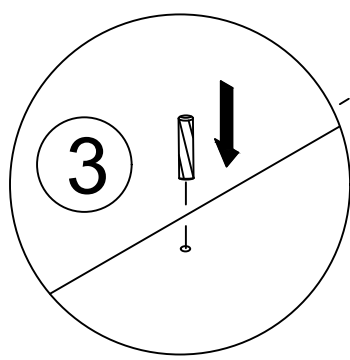
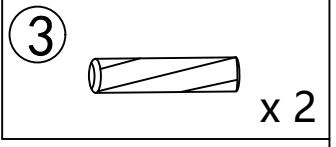


Step 42

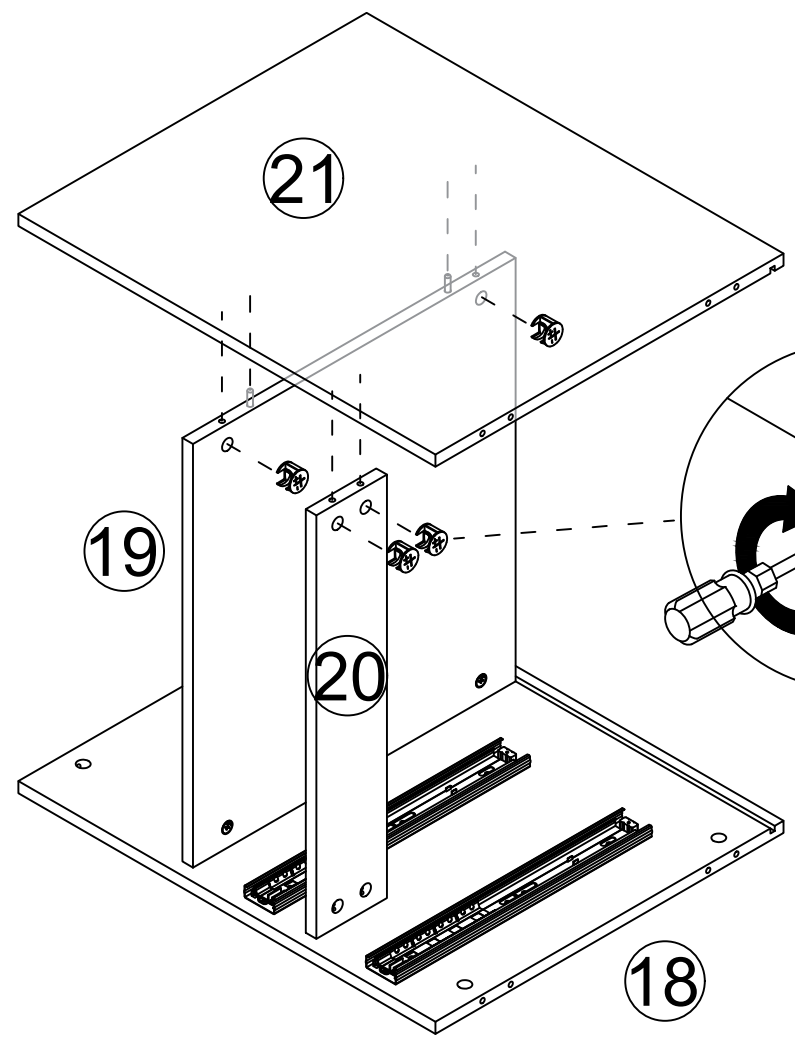
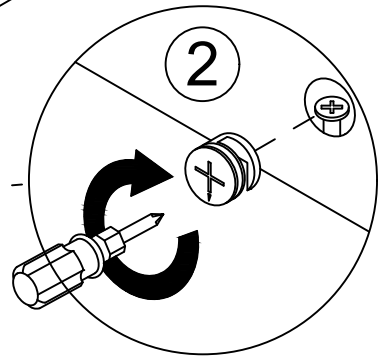
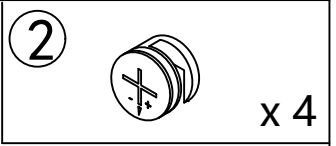


This hole is for strengthening fixed hole customers can choose to install according to their needs.

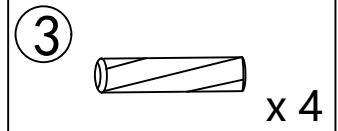
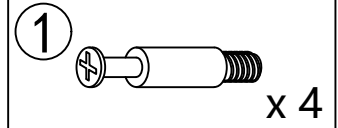
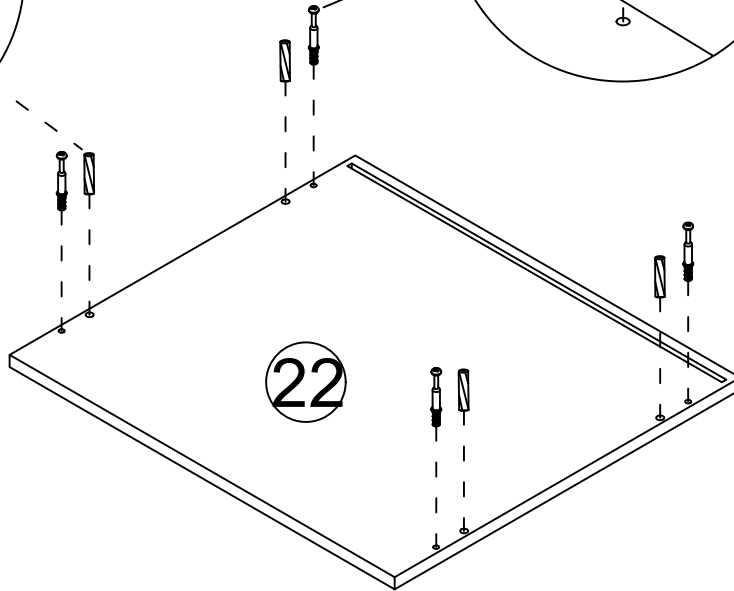
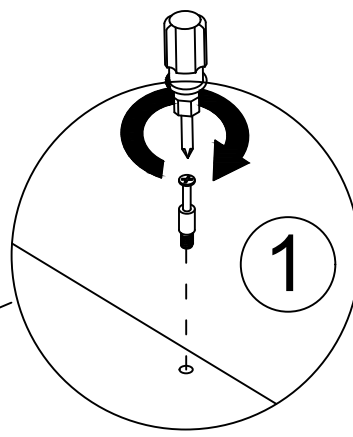
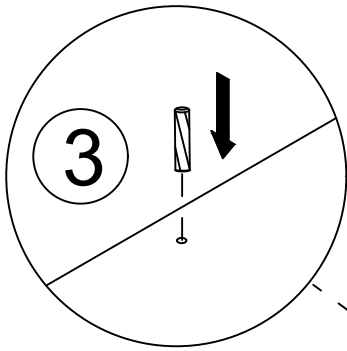
Step 43



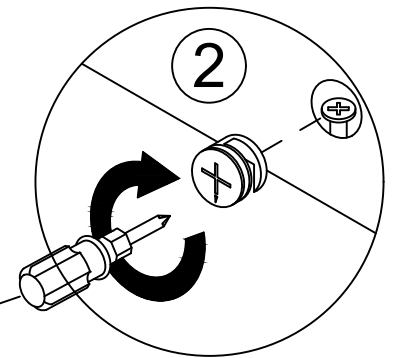
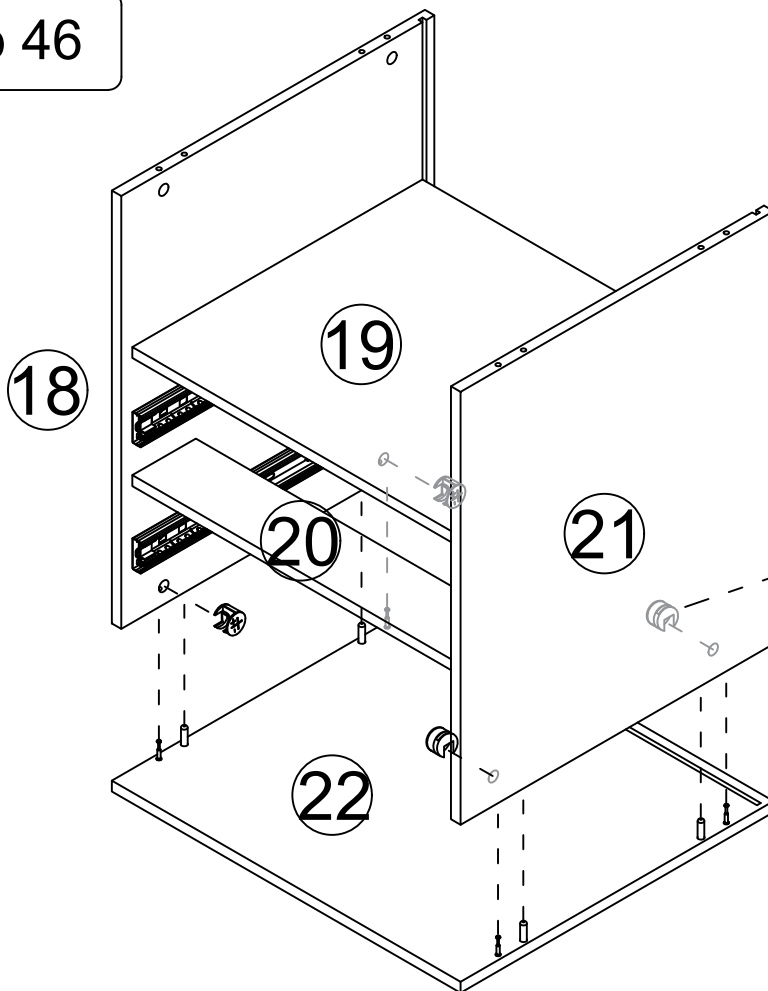
Step 44



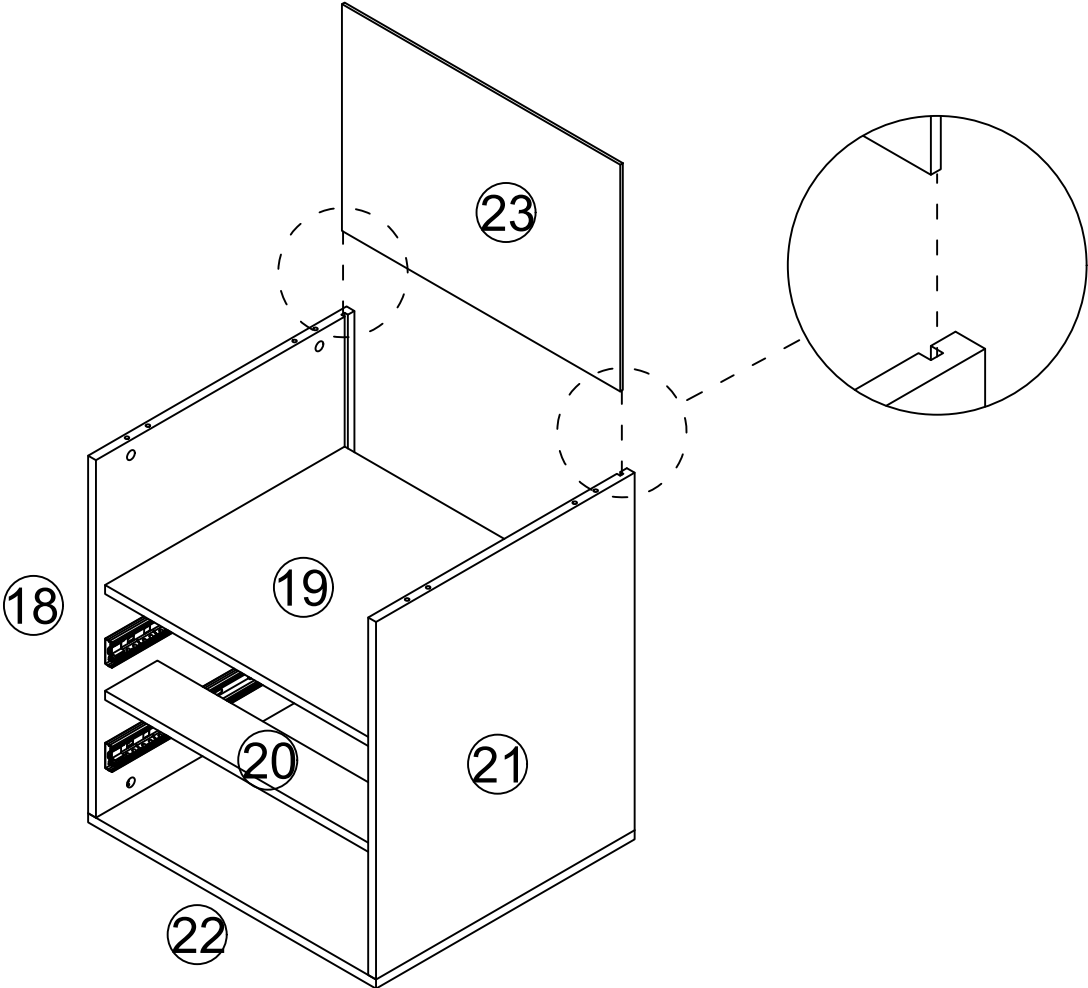
Step 45



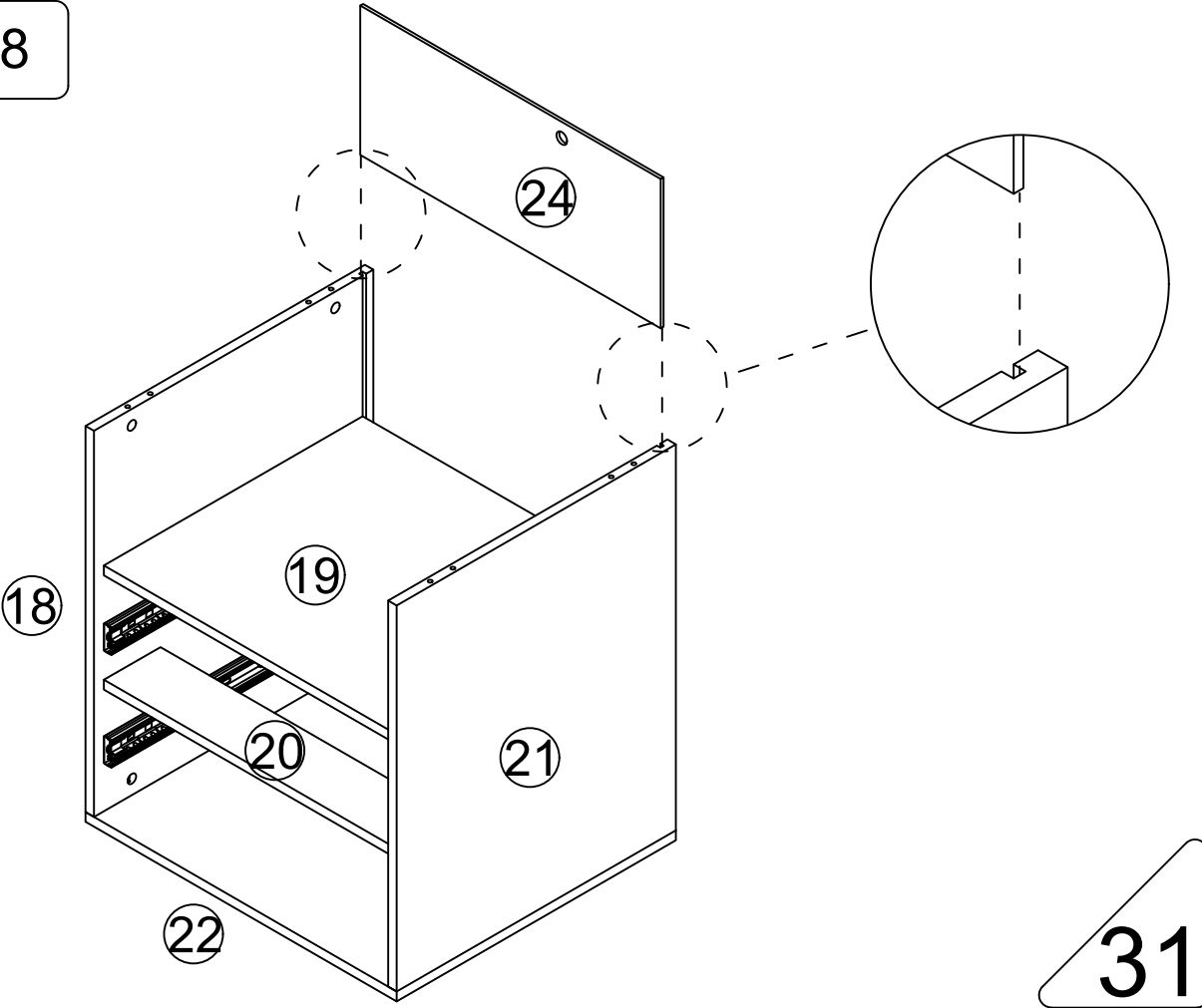
Step 46



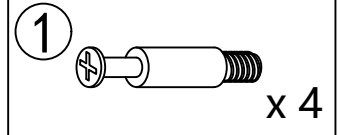
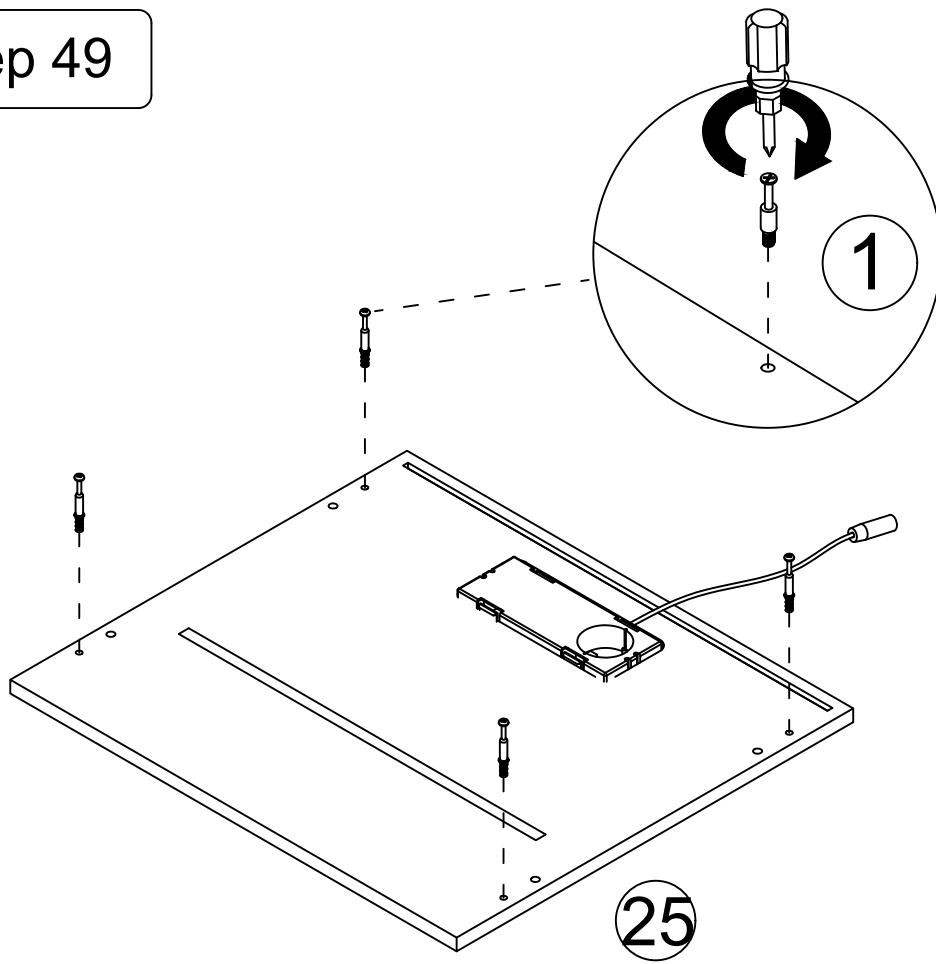
Step 47



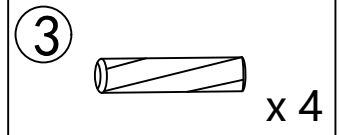
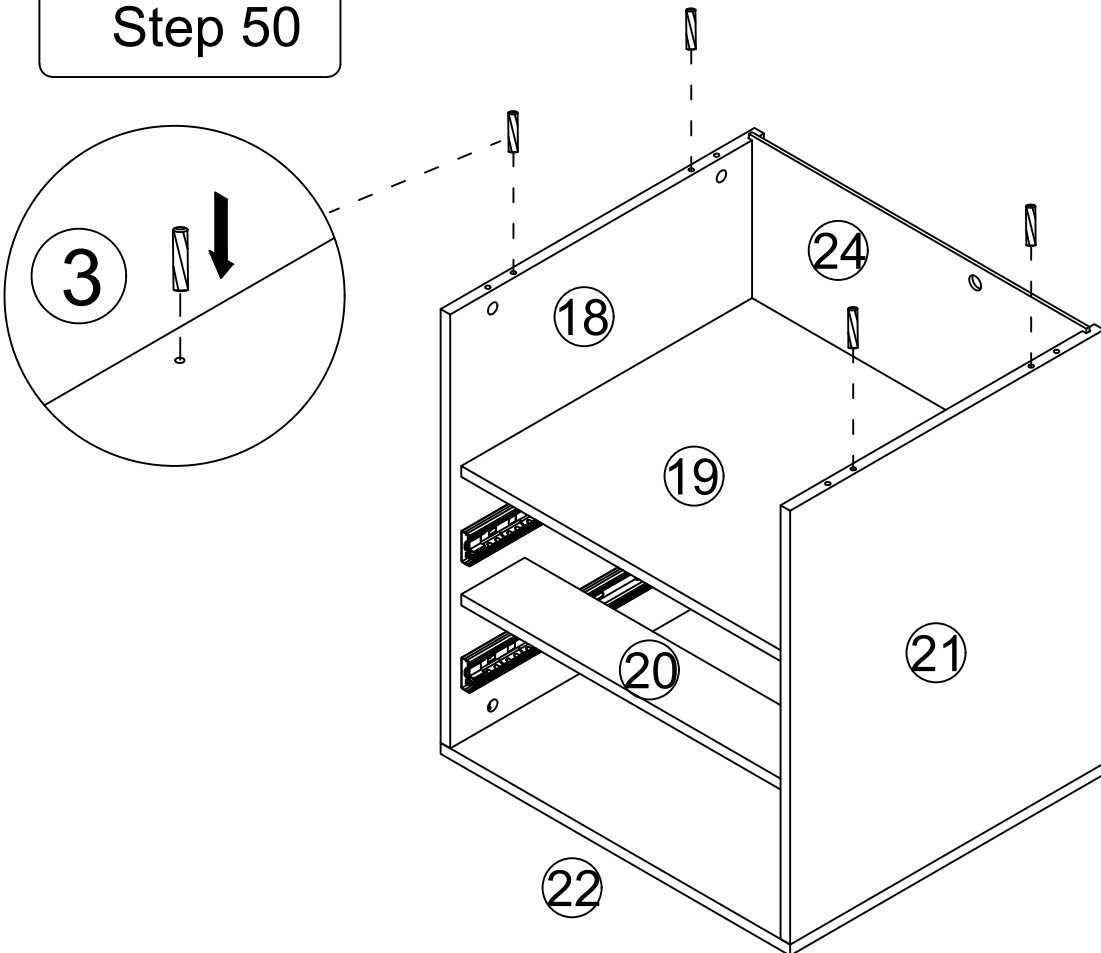
Step 48



Step 49



Step 50

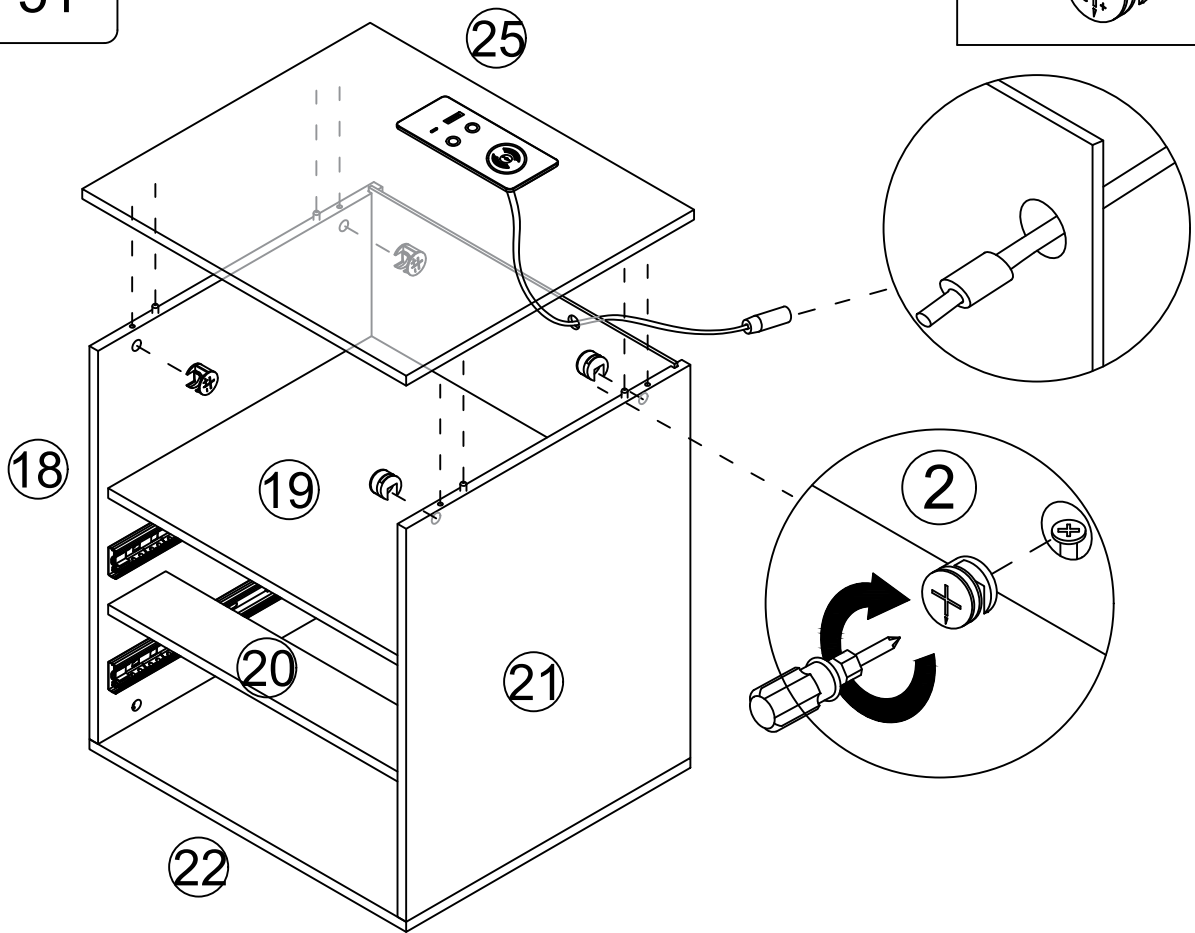


Step 51

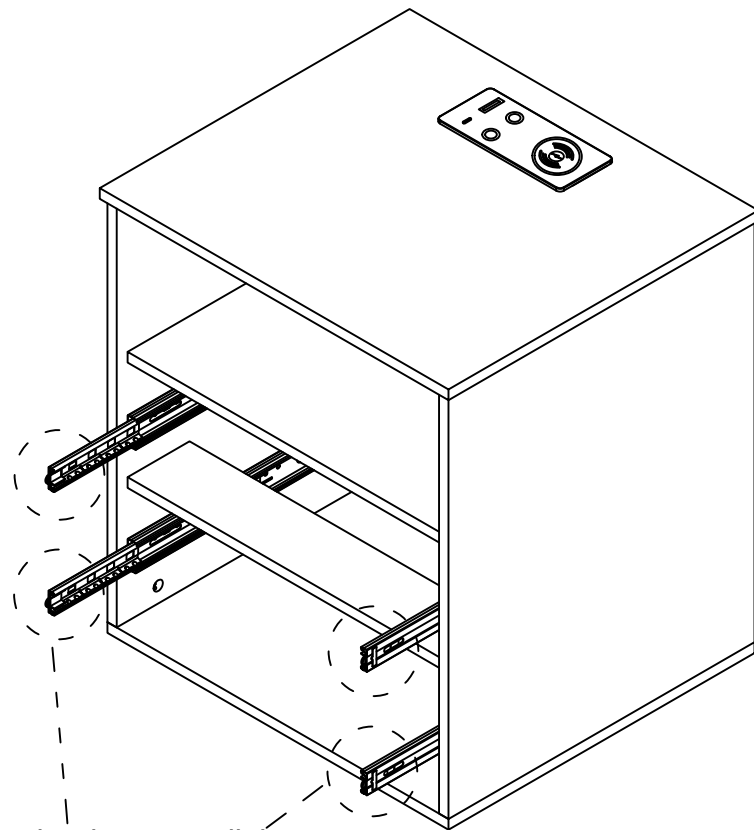
2



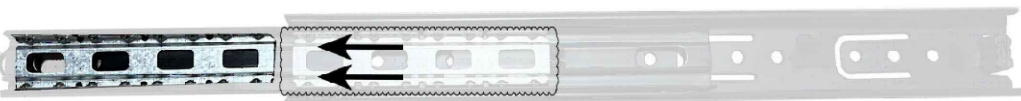
x 4



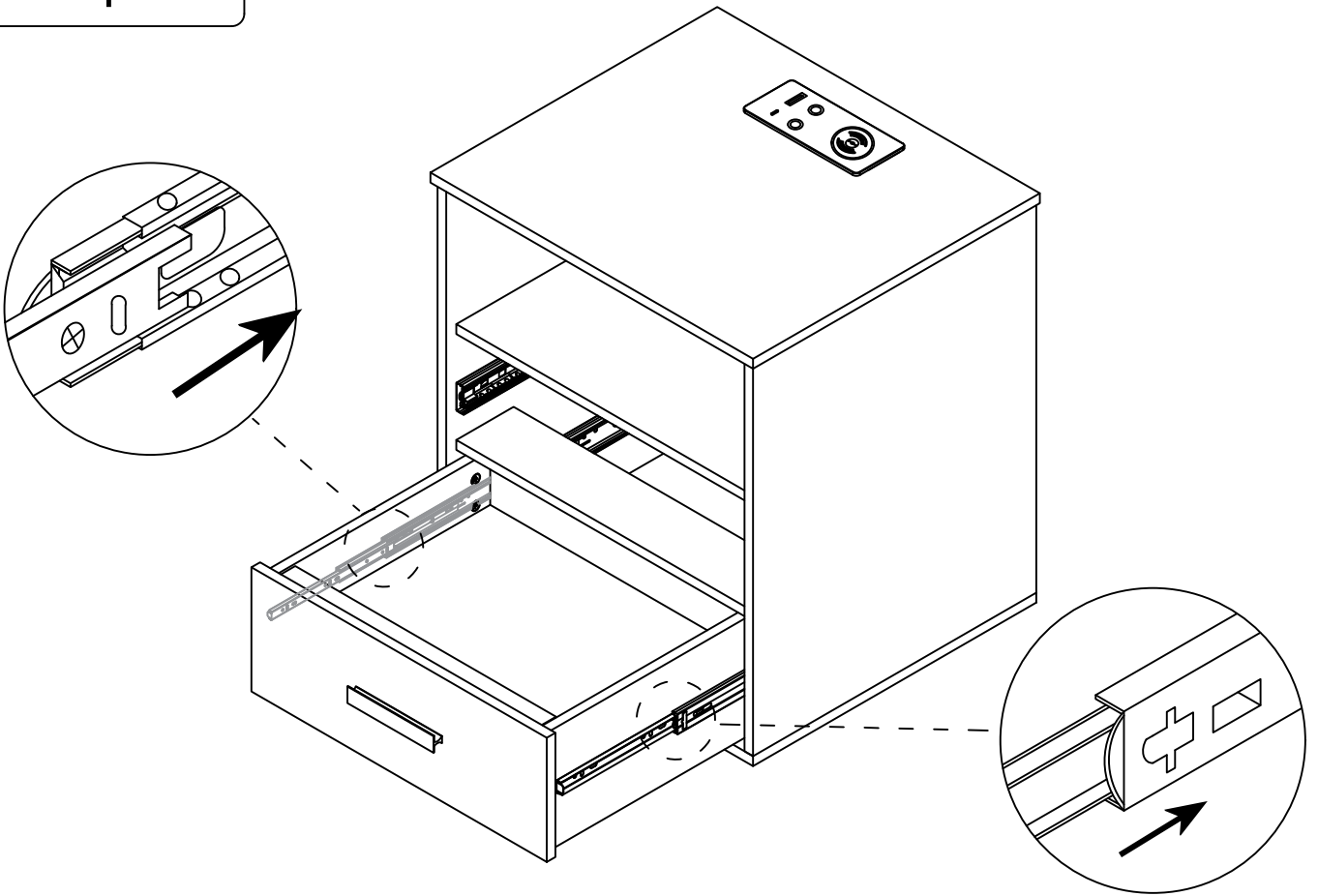
Step 52



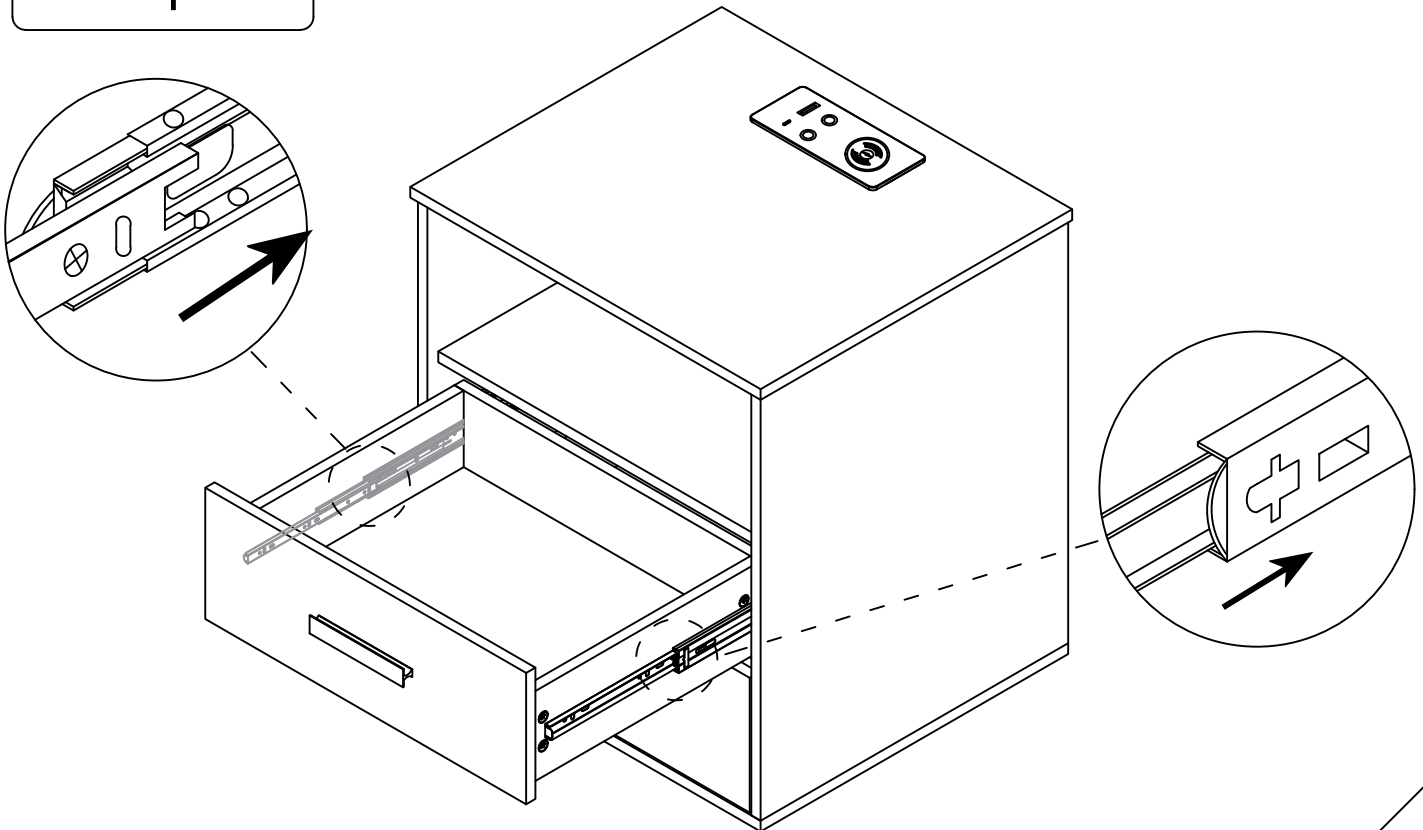
As shown, When installing the drawer, pull the guide rail out first, Slide beads are also pulled out.



Step 53

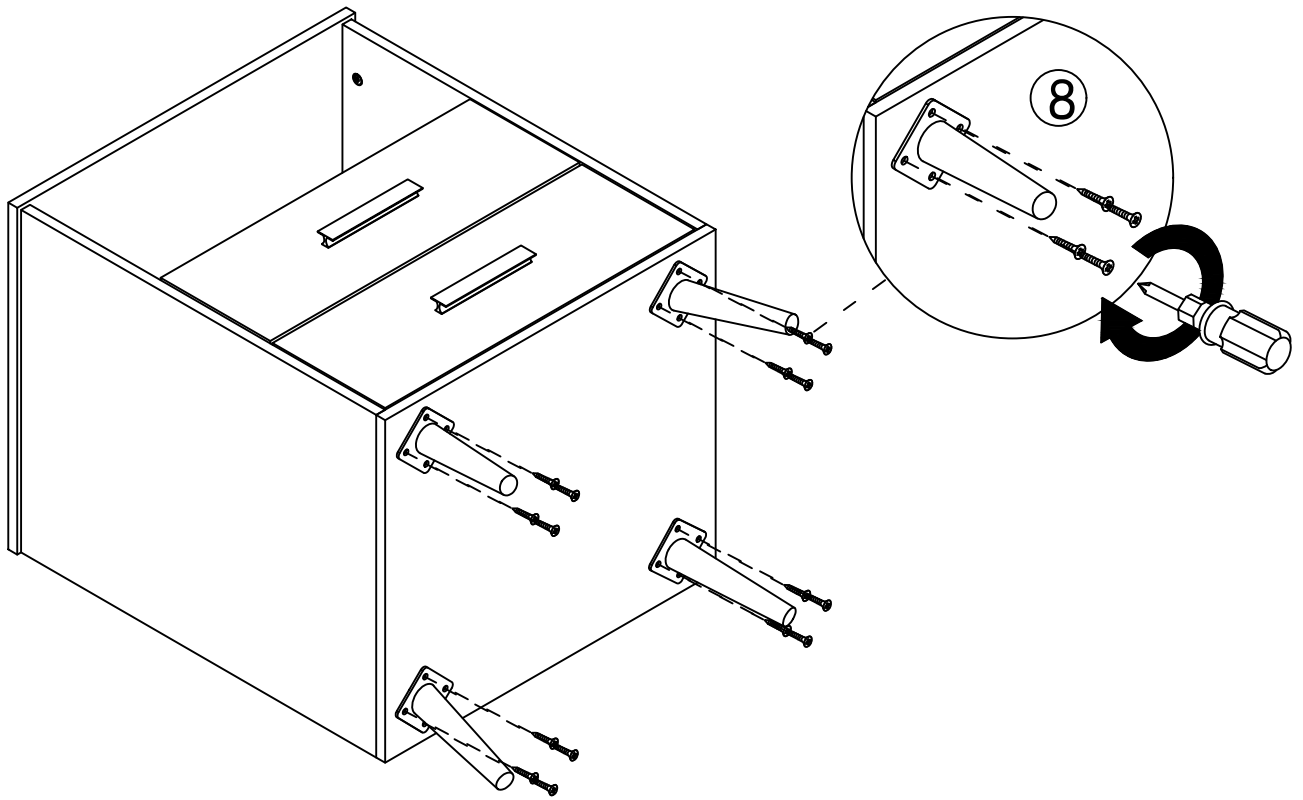


Step 54



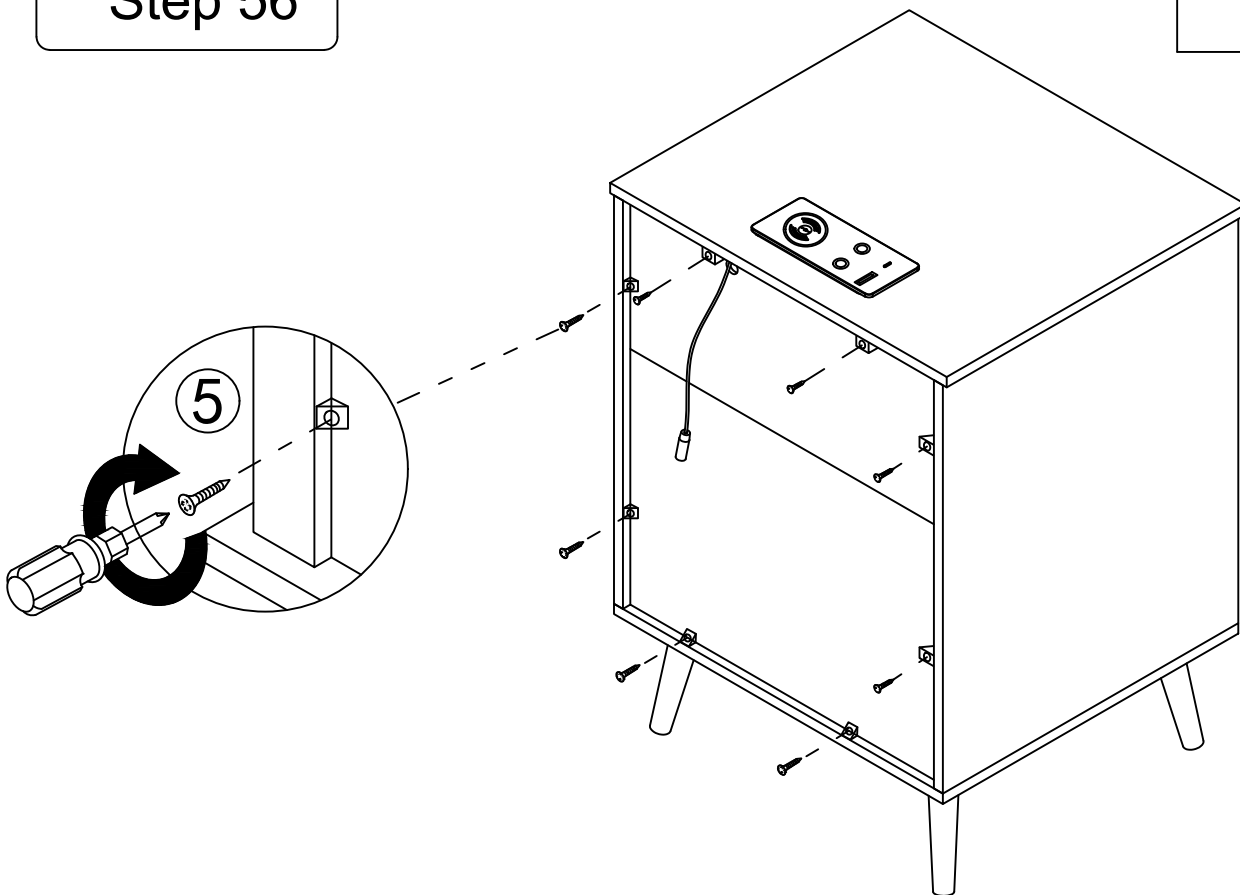
Step 55

- 8 x 4
- x 16

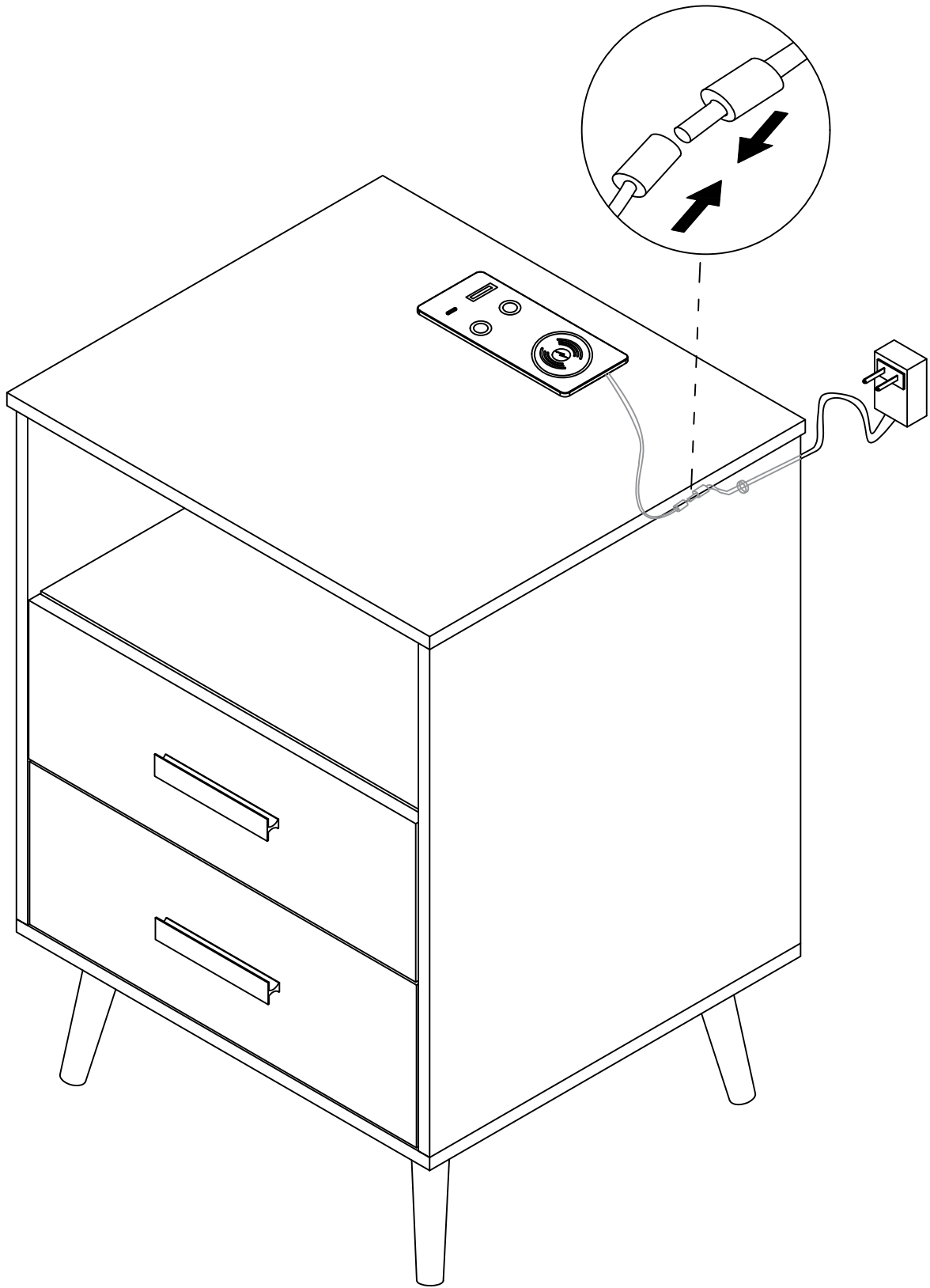
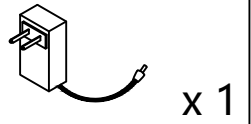


Step 56

- 5
- x 8



Step 57





User's Guide

Thank you for purchasing this product.

To use this product, please plug it into a 12V DC power supply.

Please use if the product works normally after connecting to power.

Introduction

The box is an intelligent controller. It has 1 USB port and 1 type-C port and can distribute the current output up to 5V DC-2A. With 2 touch buttons, it can turn ON/OFF the light, change light colors, and adjust the light luminance.

Operation



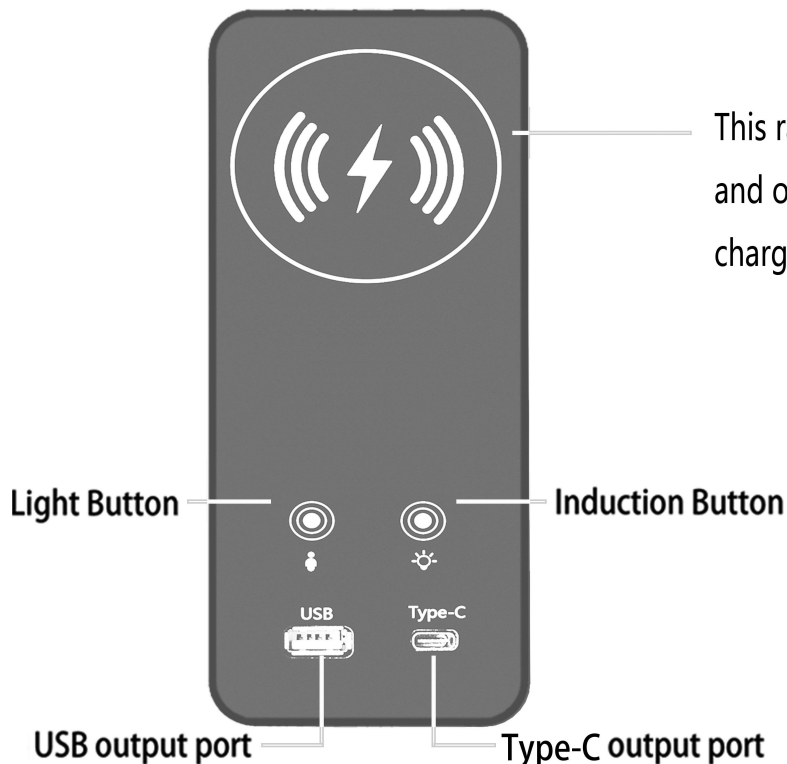
This touch button is used to turn on/off, change colors, and adjust brightness.

- A. Short touch -> lighting on -> short touch -> change light color -> short touch -> change light color -> short touch -> lighting off.
- B. Long touch -> adjust the luminance.



This touch button is used to turn on/off the induction function.

- A. Short touch to turn on the induction function. It can auto-turn on the light when people are close to the controller in 1 meters. It can auto power off the light when the body is far away from the controller after 30 seconds.
- B. Long touch to turn off the induction function.
- C. Note: When you touch the light button to change the light modes, the induction function will automatically turn off. It is best to turn on this function after selecting the light color and adjusting the brightness you want.



ATTENTION PLEASE

1. If there is no touch response suddenly, Re-plug the power to reset the touch static electricity.
2. If bubbles appear on the panel, remove the protective film.
3. If you have any questions when installing, please feel free to contact us. Thank you.