
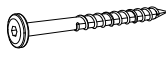




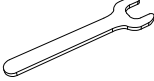
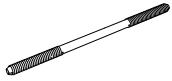
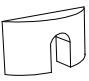
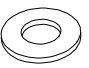


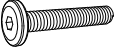
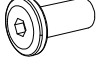
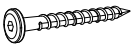


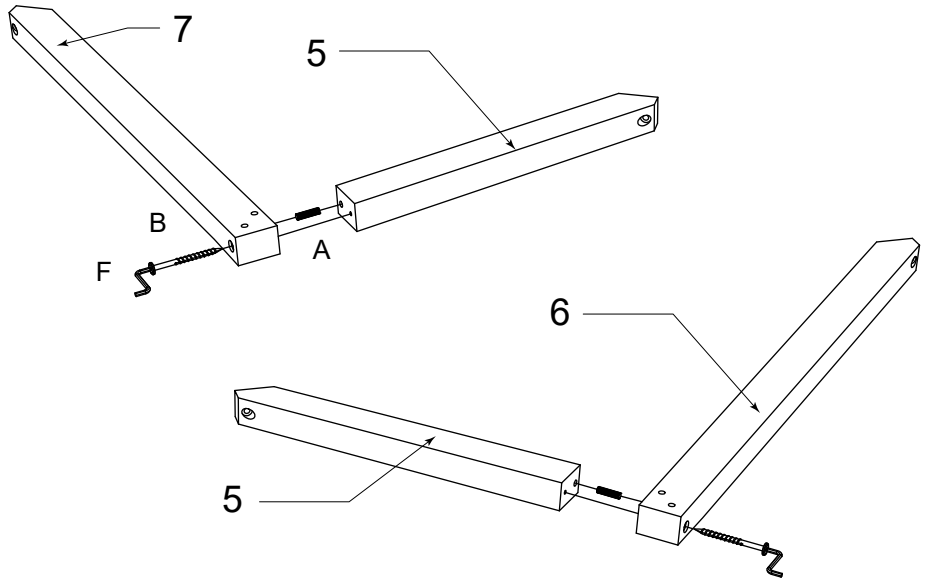
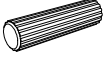
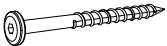


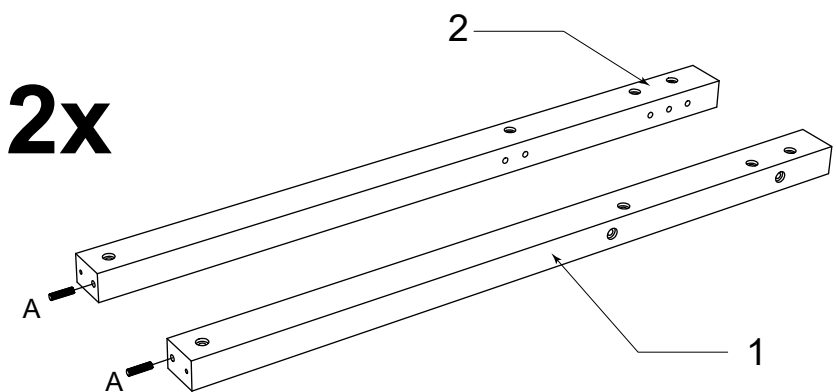
<p>A x124</p>  <p>Φ8 x 30mm</p>	<p>B x 2</p>  <p>Φ6 x 100mm</p>	<p>C x 9</p>  <p>M6 x 100mm</p>	<p>D x17</p>  <p>M6 x 70mm</p>	<p>E x26</p> 	<p>F x2</p> 
<p>G x2</p> 	<p>H x3</p> 	<p>I x6</p>  <p>M6 x 140mm</p>	<p>J x6</p> 	<p>K x6</p> 	<p>L x56</p>  <p>Φ4 x 30mm</p>
<p>M x6</p>  <p>M6 x 40mm</p>	<p>N x6</p> 	<p>O x4</p>  <p>Φ6 x 60mm</p>	<p>P x3</p> 	<p>Q x2</p> 	


1



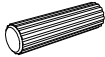
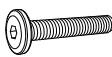
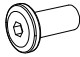
<p>A x2</p>  <p>Φ8 x 30mm</p>
<p>B x 2</p>  <p>Φ6 x 100mm</p>

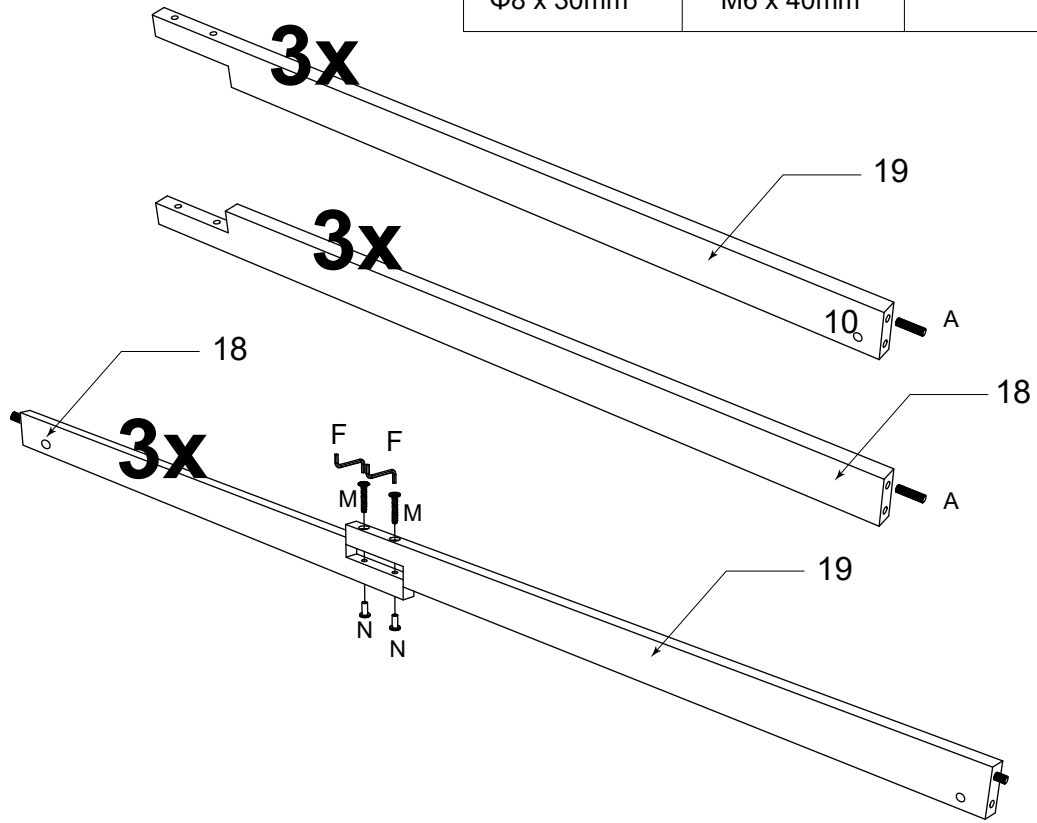
2



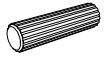
<p>A x4</p>  <p>Φ8 x 30mm</p>
--

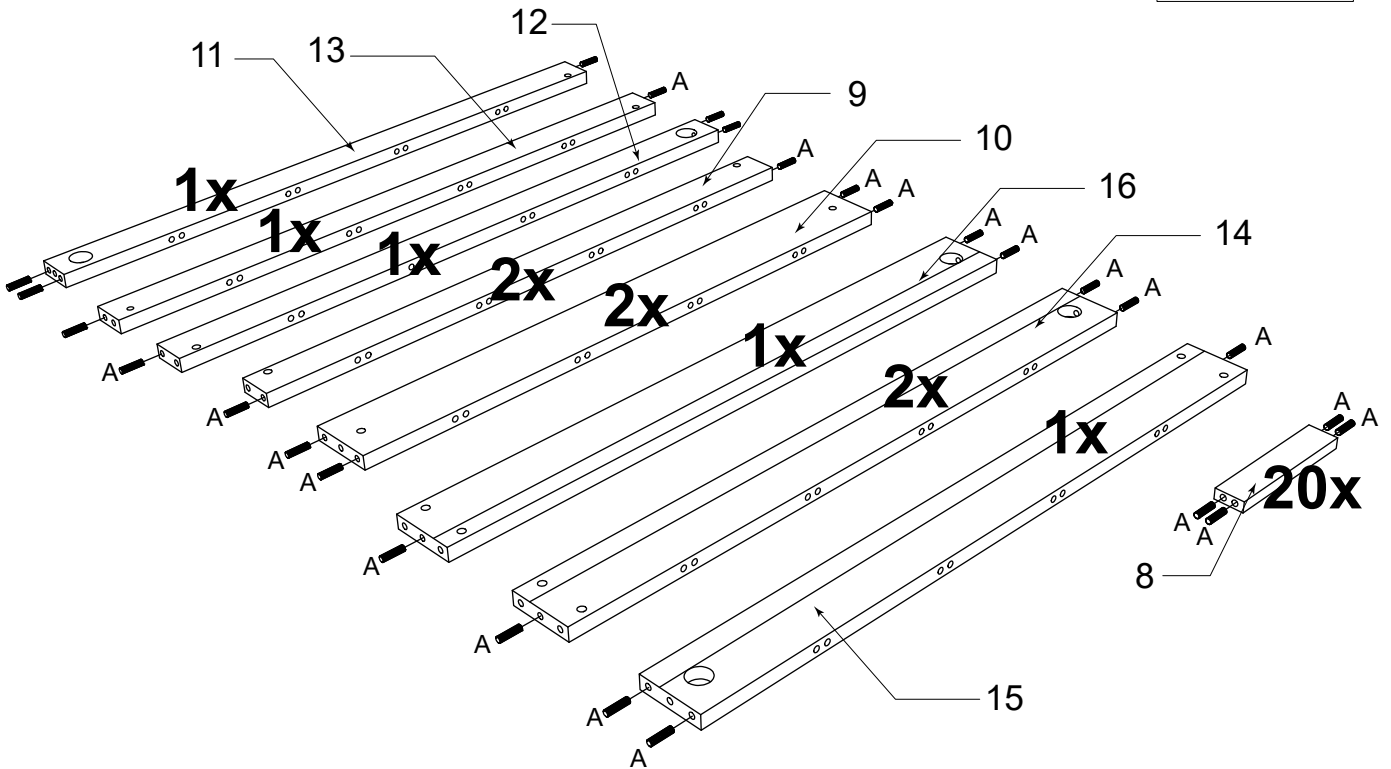
3

A x 6  Φ8 x 30mm	M x 6  M6 x 40mm	N x 6 
---	---	--

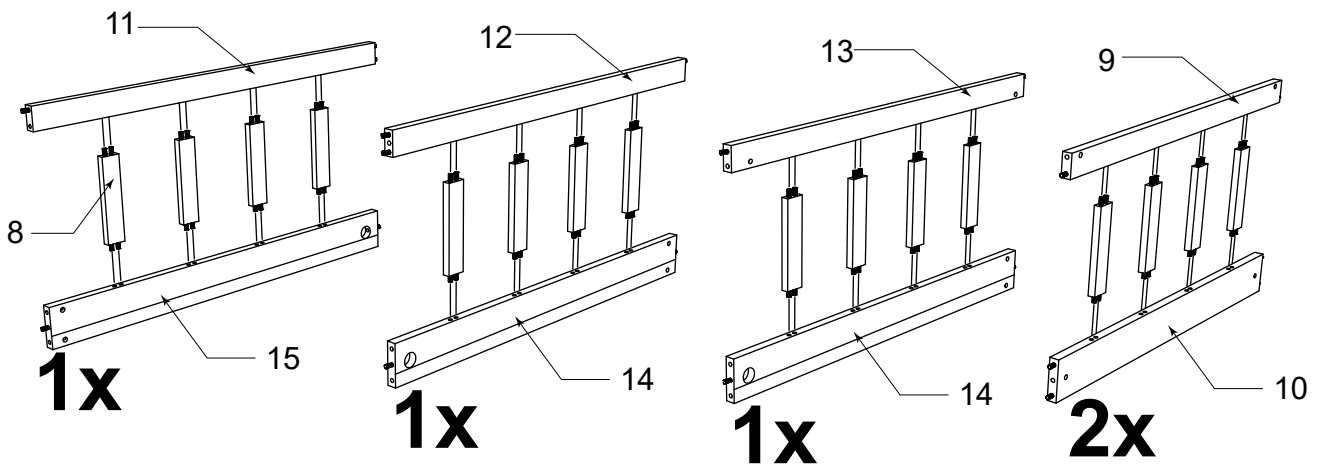


4

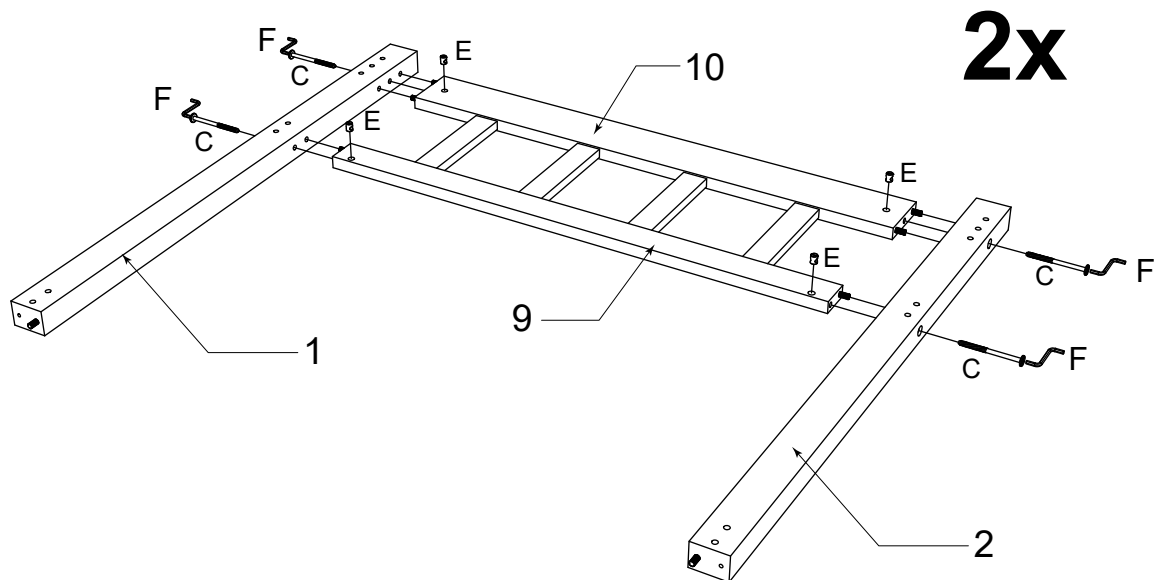
A x 112  Φ8 x 30mm





5

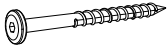


6



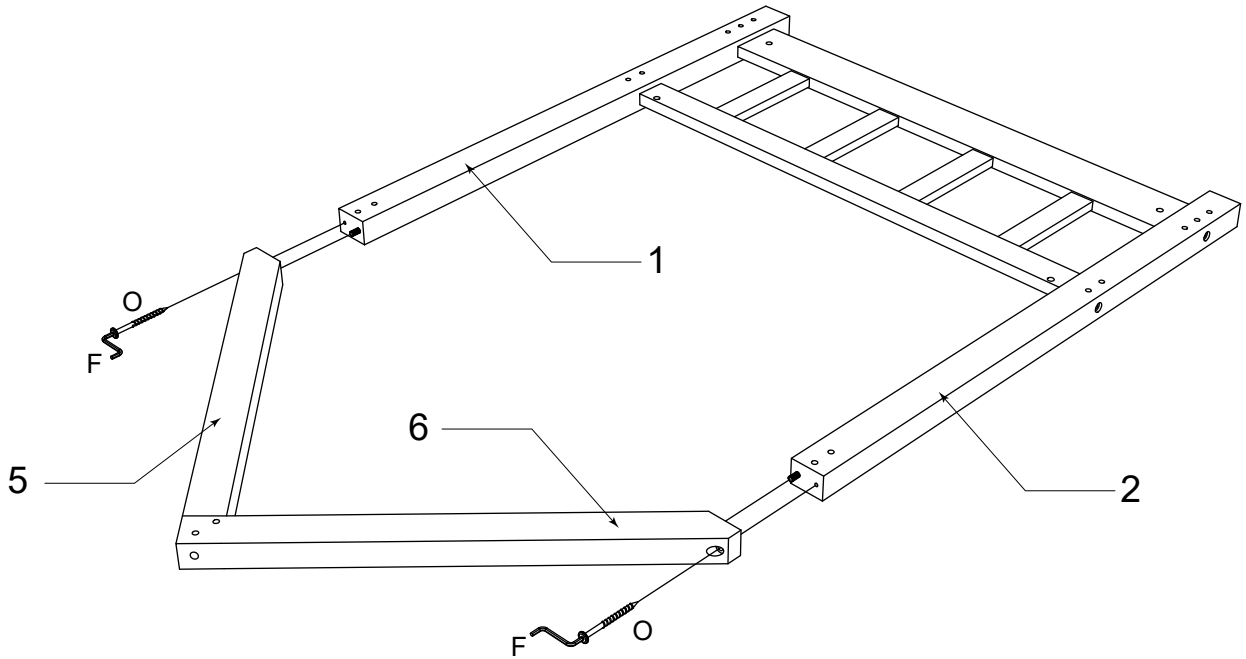
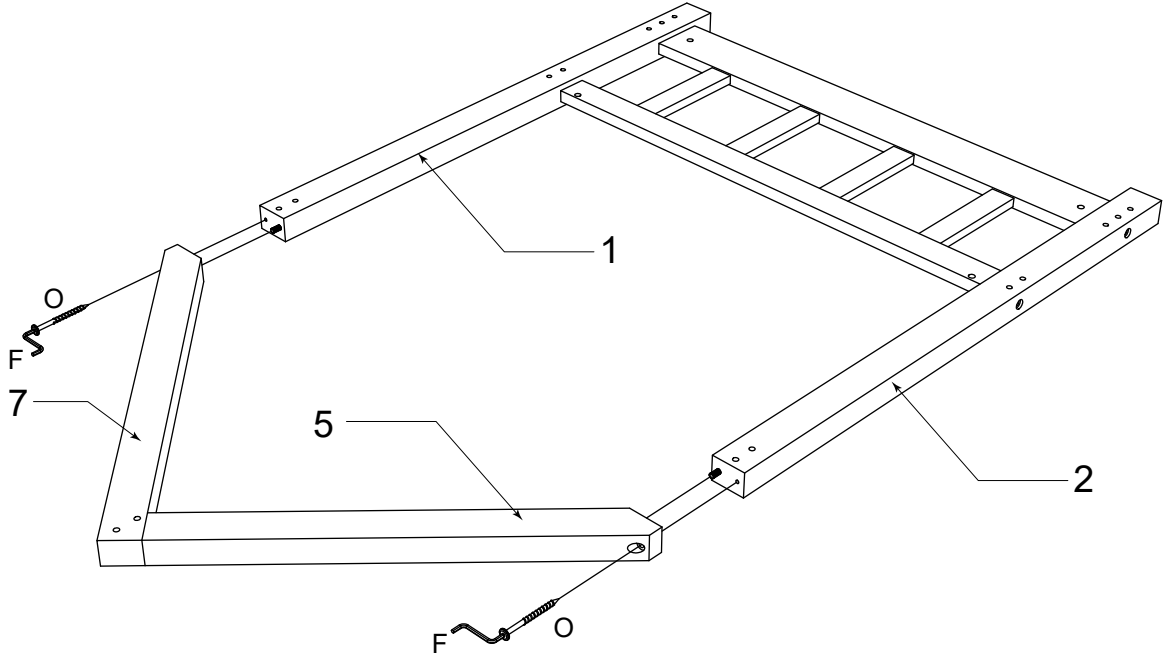
C x8  M6 x 100mm	E x8 
---	---

O x 4

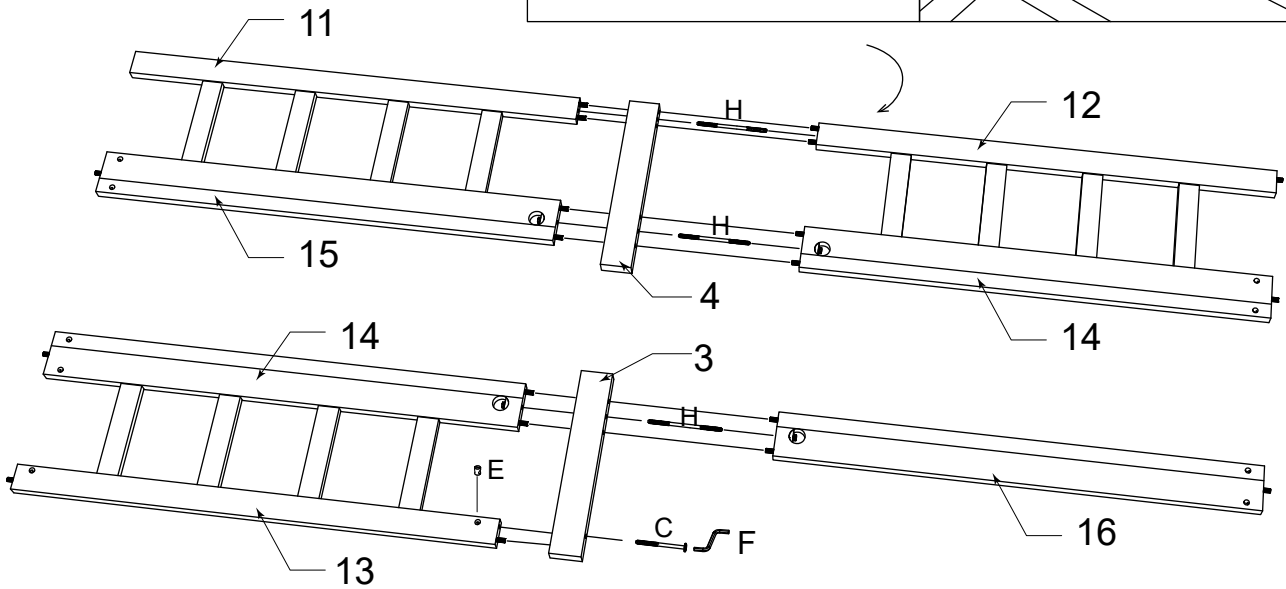
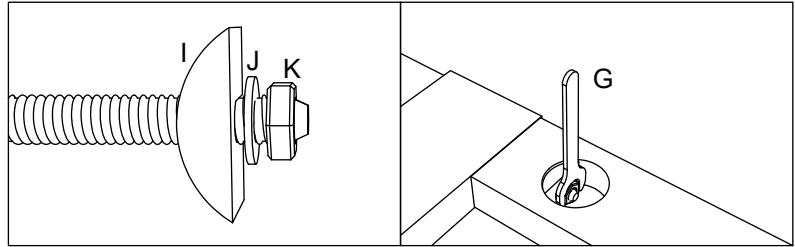



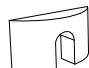




Φ6 x 60mm

7

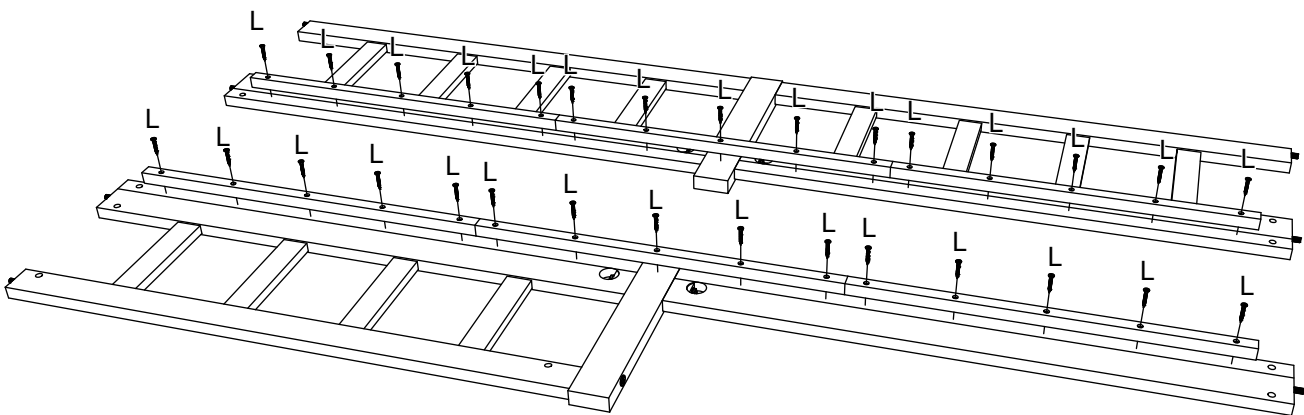
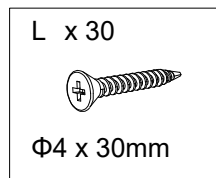


8



<p>H x3</p>  <p>M6 x 140mm</p>	<p>I x6</p> 	<p>J x6</p> 	<p>K x6</p> 	<p>C x1</p>  <p>M6 x 100mm</p>	<p>E x1</p> 
---	---	---	---	--	---

9



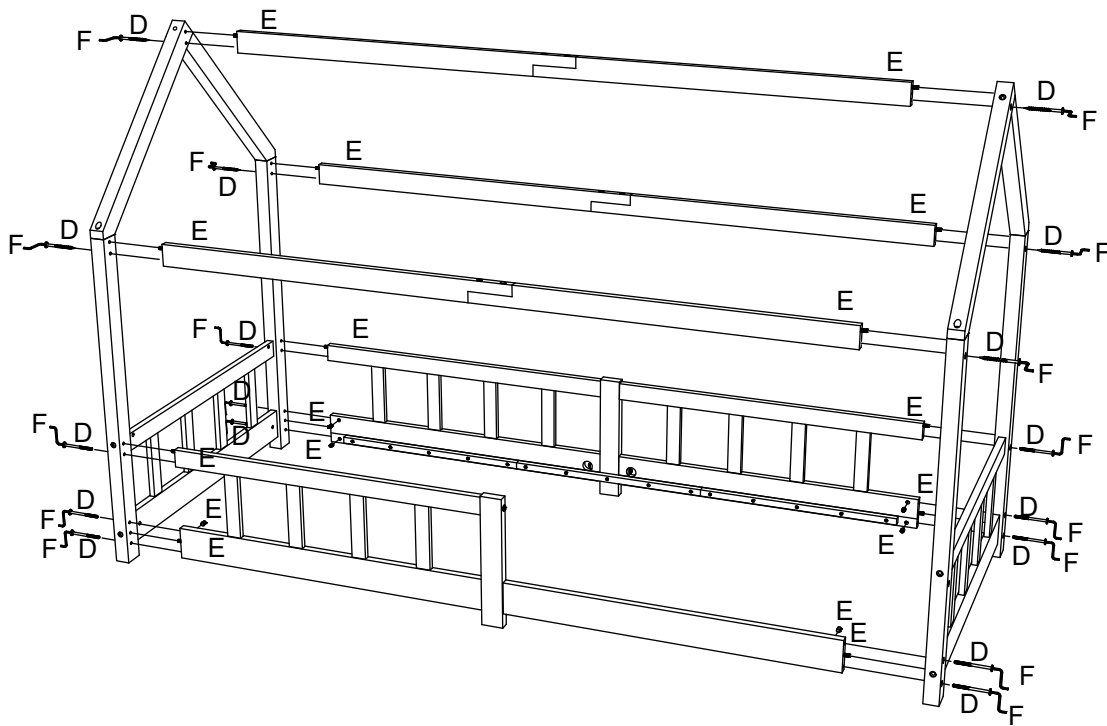
10

D x 17



M6 x 70mm

E x 17



11

L x 26



Φ4 x 30mm

P x 3



Q x 2

