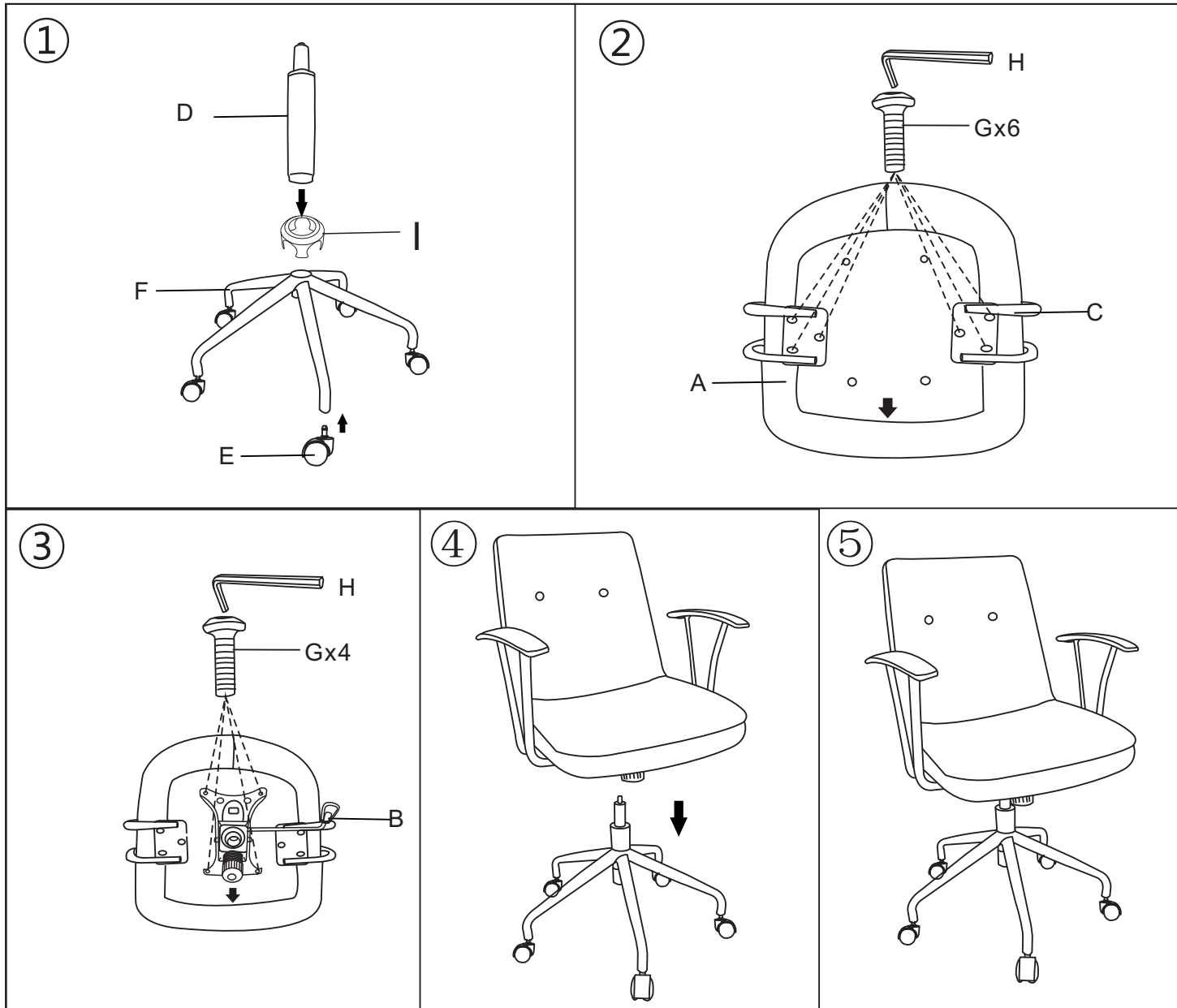
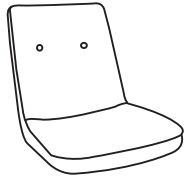
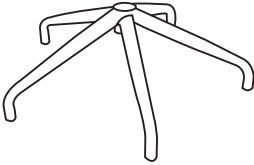
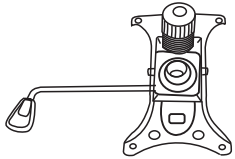

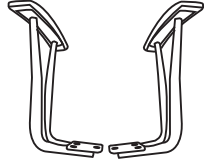





ASSEMBLY INSTRUCTION

▽ PARTSxQTY

▽ ASSEMBLY PROGRAM



AX1 	Fx1 
Bx1 	Gx10  M6x18mm
Cx1(L/R) 	Hx1 
Dx1 	Ix1 
Ex5 