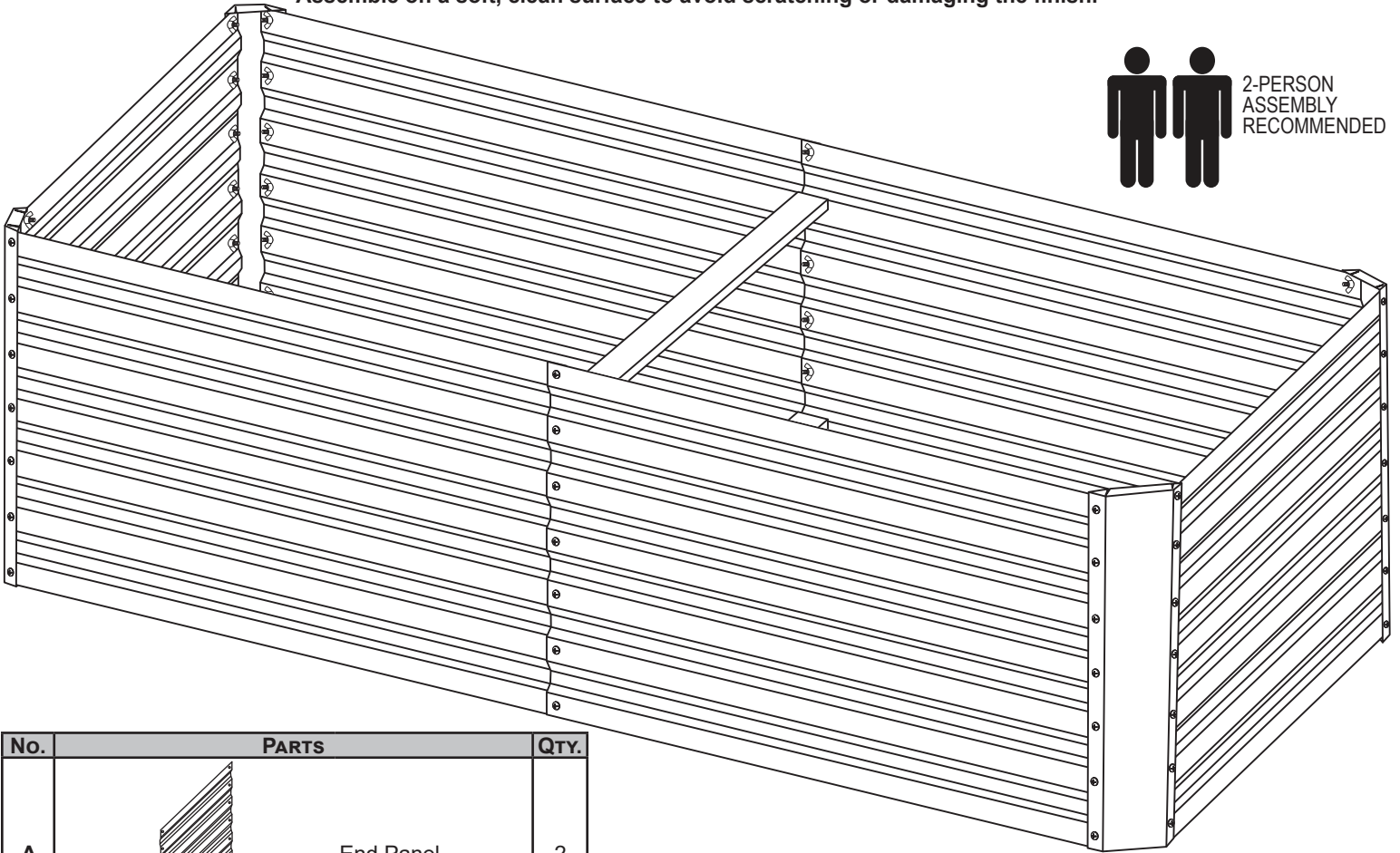


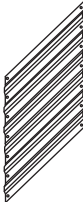
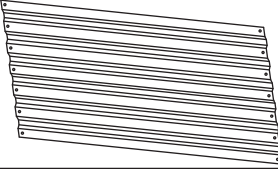


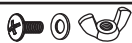

Thank you for choosing Sunnydaze Decor. We stand behind our brand and the quality of the items we sell. Replacement parts or products will be sent at our discretion within the 1-year warranty period. Proof of purchase, with the date of purchase as well as photos of the merchandise defect, must be provided. Photos are used to determine the cause of defects and for future quality control. Register your warranty at <https://tiny.cc/SunnydazeWarranty>. If you have any questions, comments or concerns, feel free to contact us by phone at 833-982-1977, by email: customerservice@sunnydazedecor.com, or via our contact us page at <https://tiny.cc/SunnydazeContact>


RECTANGULAR GALVALUME STEEL RAISED GARDEN BED


Read the assembly instructions and follow line drawings carefully. Save this document for future reference.

Assemble on a soft, clean surface to avoid scratching or damaging the finish.



No.	PARTS	QTY.
A	 End Panel	2
B	 Side Panel	4
C	 Corner	4
D	 Support Beam	2
E	 M6x12mm Bolt Set	70
F	 Screwdriver	1

 Inspect packaging to ensure all parts are accounted for before disposing of packing materials.

 Remove the protective film from the corner pieces before beginning assembly.

⚠ WARNING ⚠
CHOKING HAZARD — This item contains small parts that can be swallowed. Keep children away during assembly.

⚠ WARNING:

Manufacturer and seller expressly disclaim any and all liability from personal injury, property damage or loss, whether direct or indirect, or incidental, resulting from the incorrect attachment, improper use, inadequate maintenance, or neglect of this product.

ASSEMBLY

STEP 1

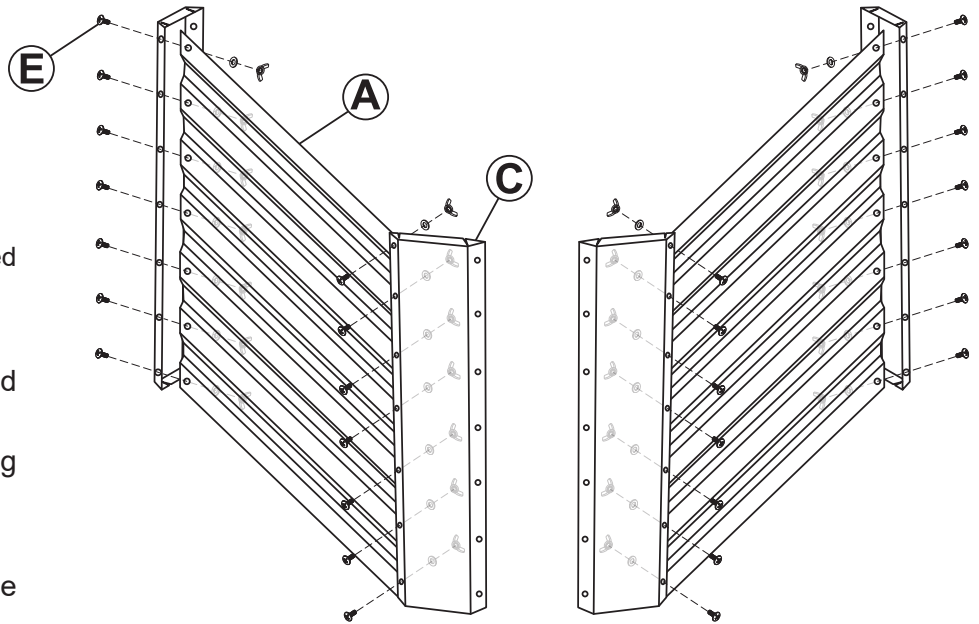
A: 2
C: 4
E: 28

NOTE: Install the end panels with the rolled edges facing the inside of the garden bed.

Align Corner (C) with the outside of End Panel (A).

Secure the corner to the end panel using seven M6x12mm Bolt Sets (E).

Repeat this step until all four corners have been secured to the end panels.



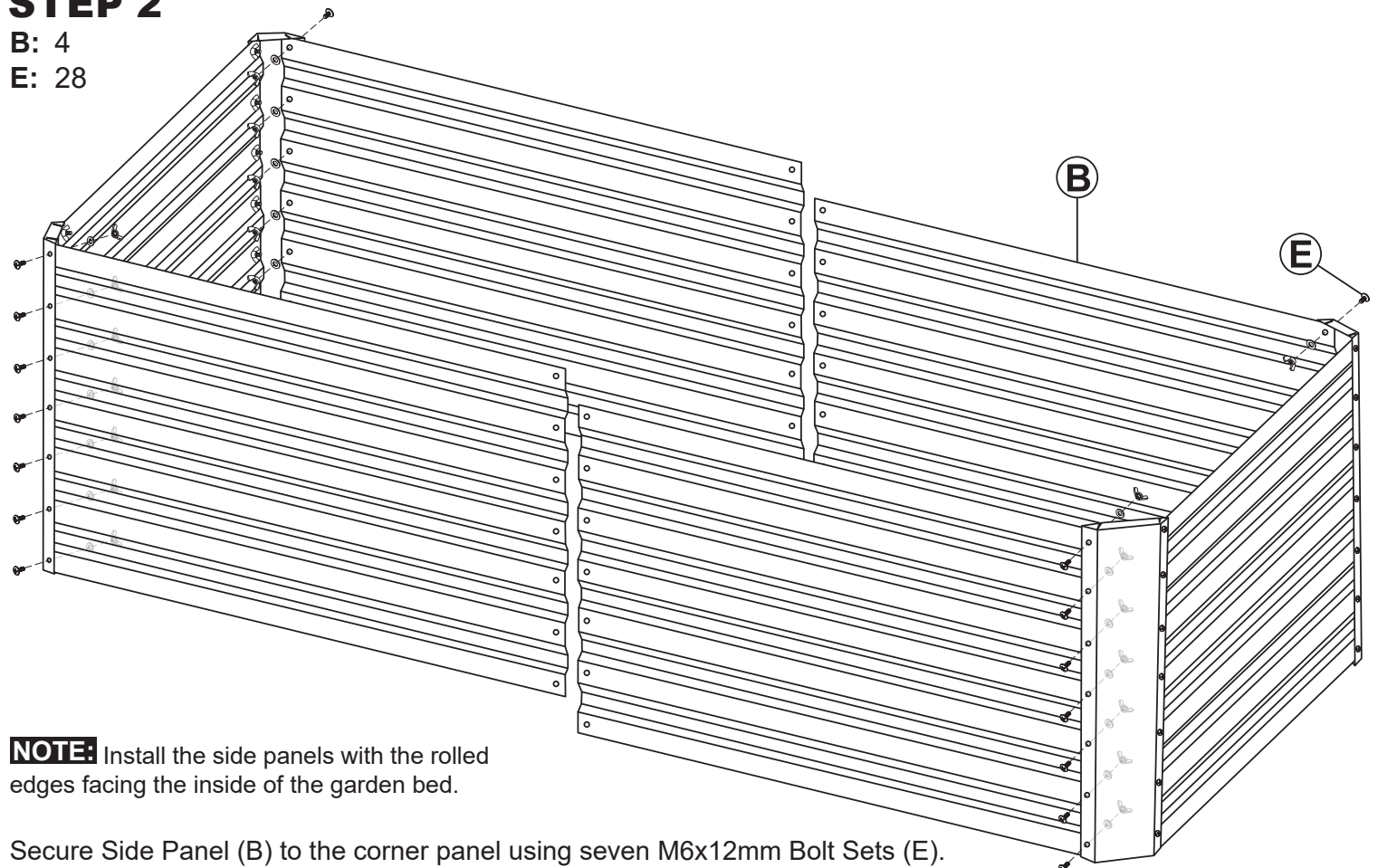
STEP 2

B: 4
E: 28

NOTE: Install the side panels with the rolled edges facing the inside of the garden bed.

Secure Side Panel (B) to the corner panel using seven M6x12mm Bolt Sets (E).

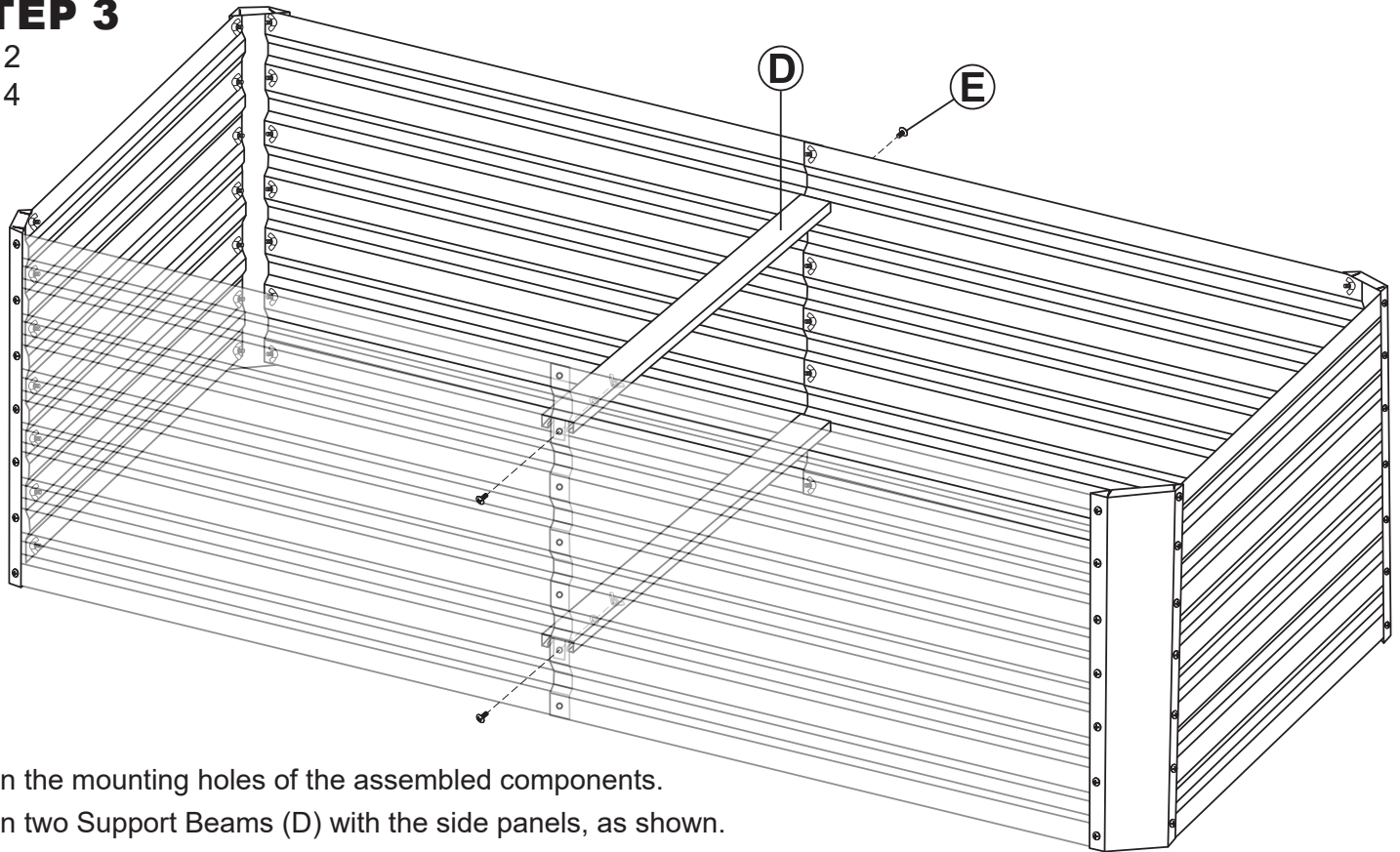
Repeat this step until all side panels have been secured to the corners.



STEP 3

D: 2

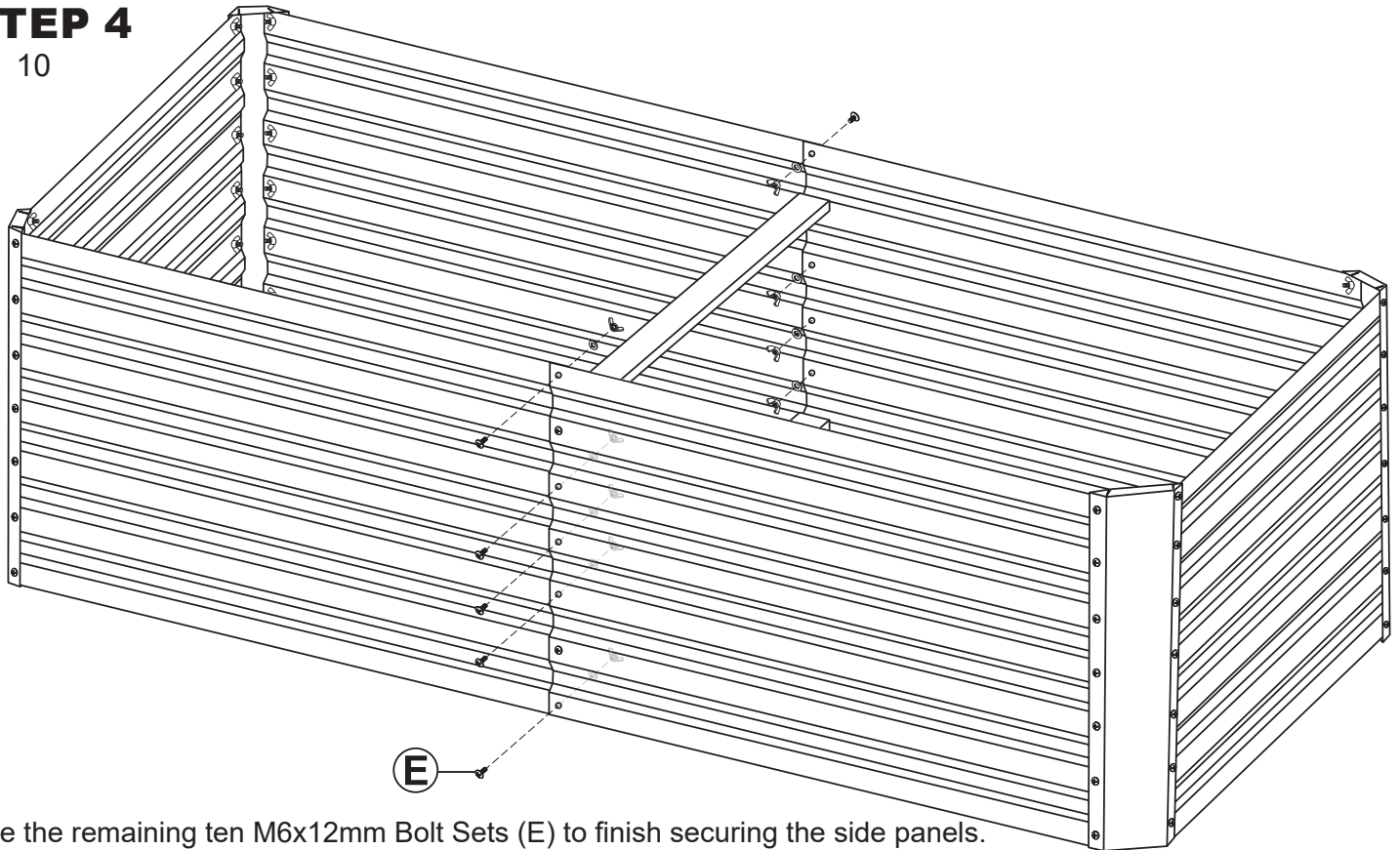
E: 4



Align the mounting holes of the assembled components.
Align two Support Beams (D) with the side panels, as shown.
Secure each support beam using two M6x12mm Bolt Sets (E).

STEP 4

E: 10



Use the remaining ten M6x12mm Bolt Sets (E) to finish securing the side panels.
Tighten all hardware after this step is complete.

Any modification to the product or failure to follow recommended care will void the product warranty.