

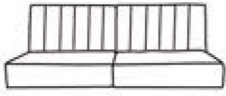
ASSEMBLY INSTRUCTION

ITEM NO: RYS136

PARTS AND HARDWARE



Armrest X2



Body X1



Princess X1



Leg C X 16



Pillow X 2

A



12pcs

B



16pcs

C



16pcs

I

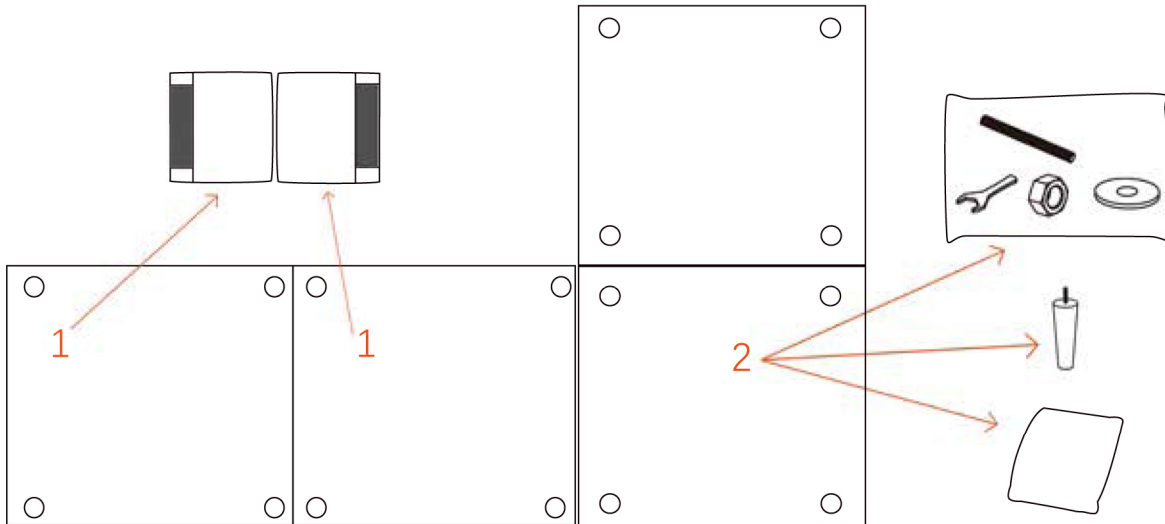


1pcs

Step 1

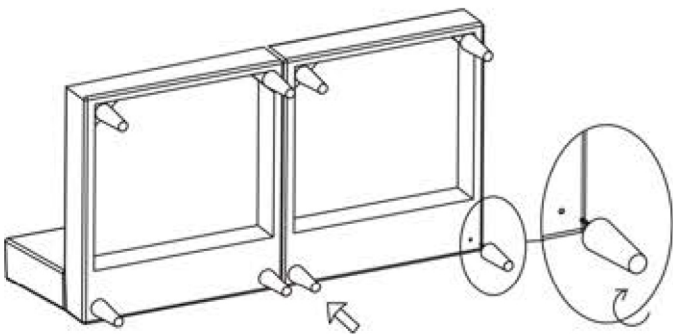
(1) Please take out the arms from bottom of couch

(2) Please take out the pillows, leg & hardware from bottom of chaise



Step 2

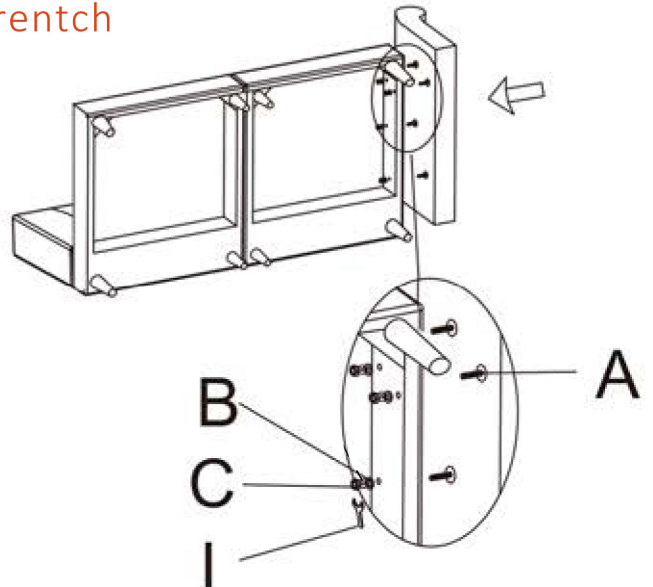
Assemble the legs



Step 3

Assemble the couch.

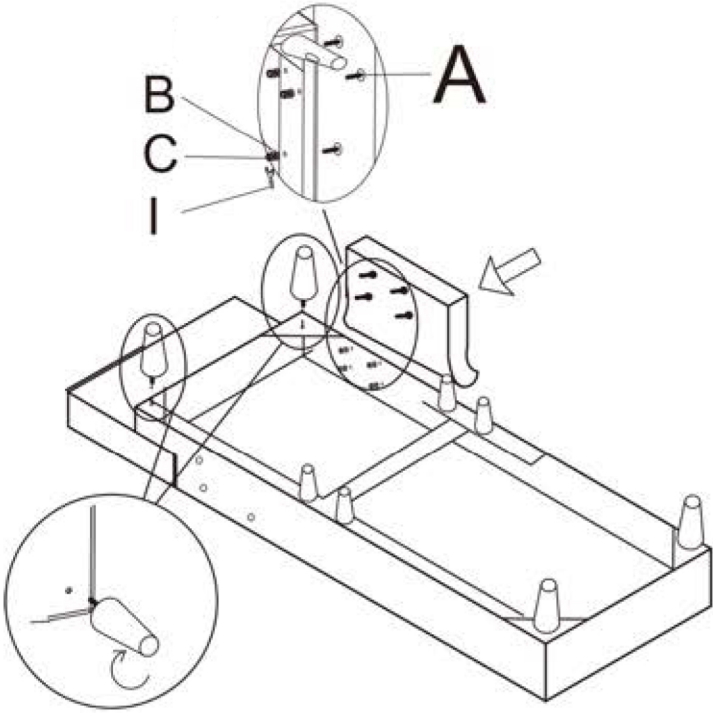
Screw in arms about 1cm firstly, insert the arms to the seat frame, put in the washers, then tighten the nuts with wrench



Step 4

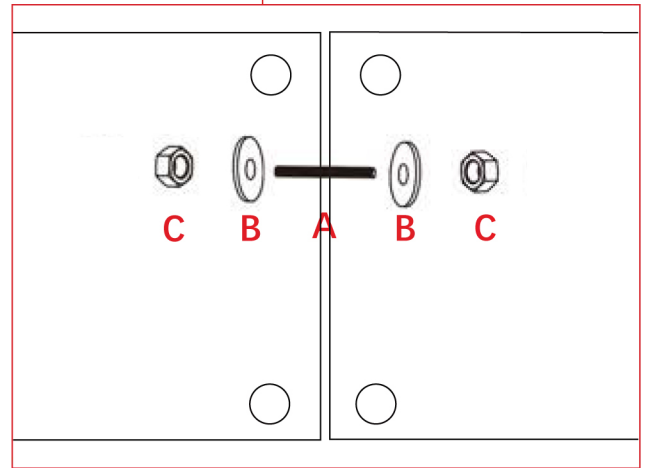
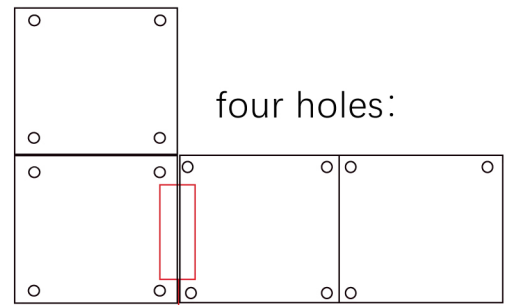
Assemble the Chaise.

Screw in arms about 1cm firstly, insert the arms to the seat frame, put in the washers, then tighten the nuts with wrench



Step 5

Connect the couch and chaise



total: A*4; B*8; C*8

Step 6

Assembly is finished.

