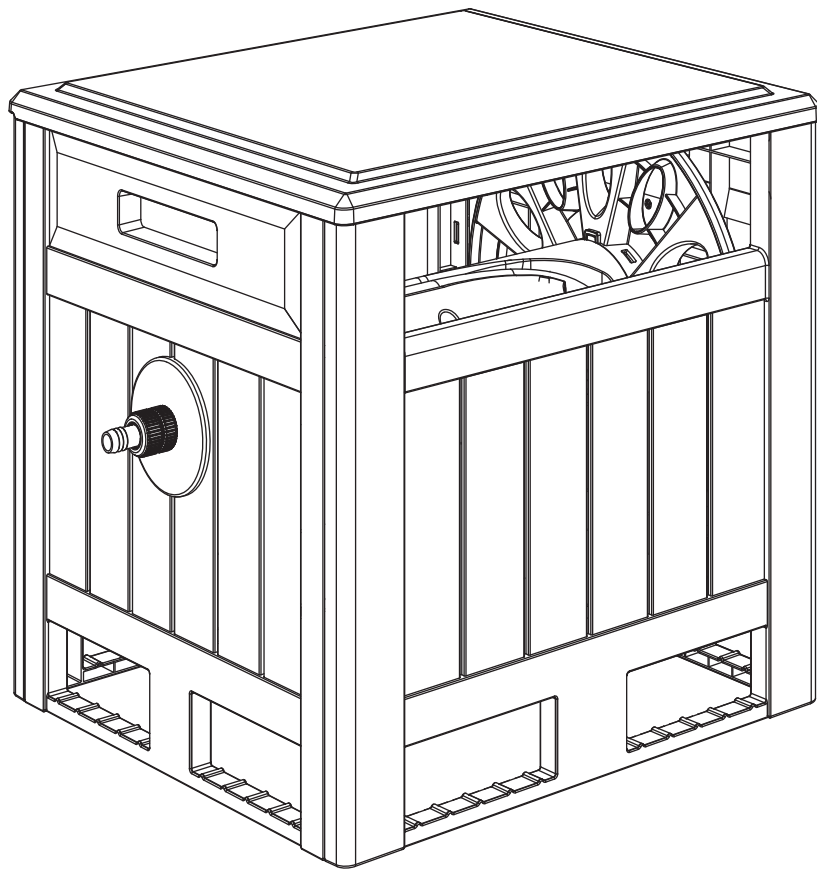


ASSEMBLY INSTRUCTIONS

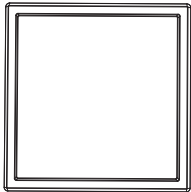
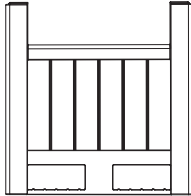
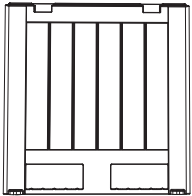
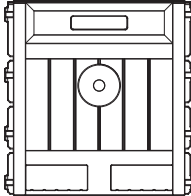
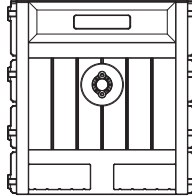


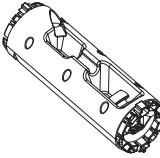


■ 1-Piece

Garden hose reel



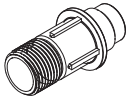
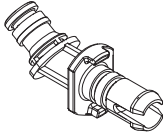
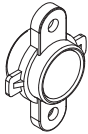
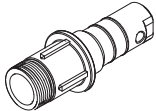

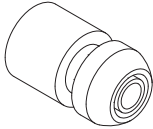
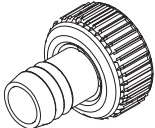
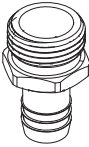

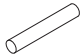


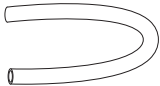
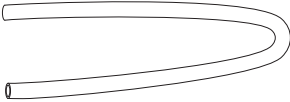
Parts

Check and make sure you get the components on the list, contact us for any missing.

F		X1	A		X1
B		X1	CL		X1
CR		X1	DL		X1
DR		X1	E		X1
G1		X1 (+1)	H1		X1

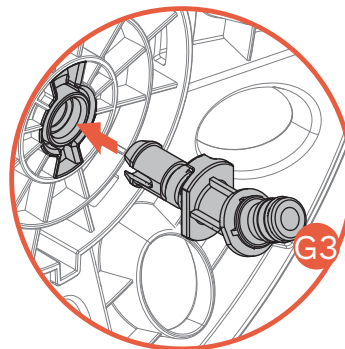
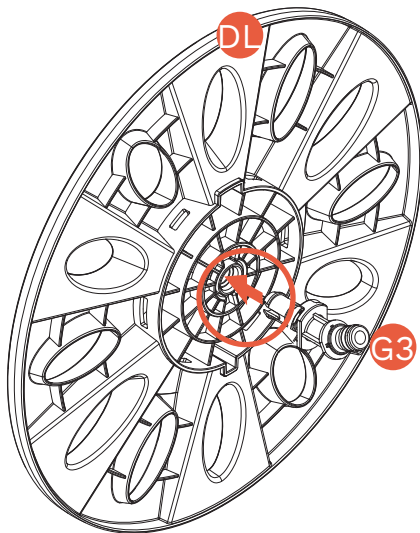
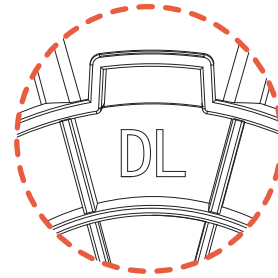
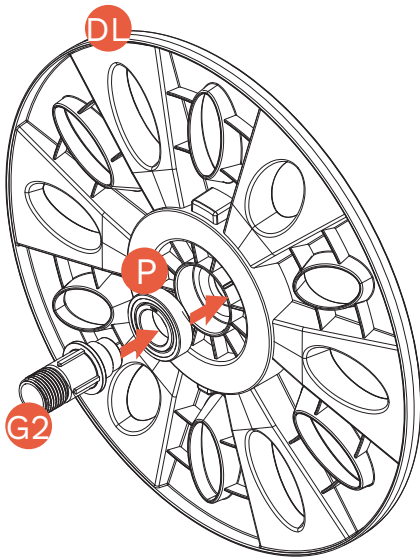
Parts

Check and make sure you get the components on the list, contact us for any missing.

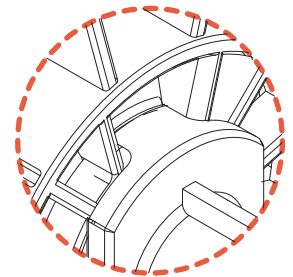
G2		X1	G3		X1
H3		X1	H2		X1
H4		X1	R		X1
G4		X2	G6		X2
G7		X3	H6		X1
P		X2	S1	 M5x10	X3 (+1)
Q4		X1	Q5		X1

Assembly steps

Step 1



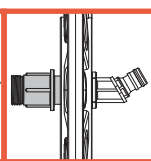
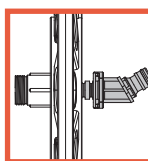
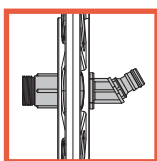
Attention: Attach the bulge of G3 to the groove of DL.



✓

✗

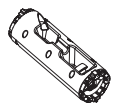
✗



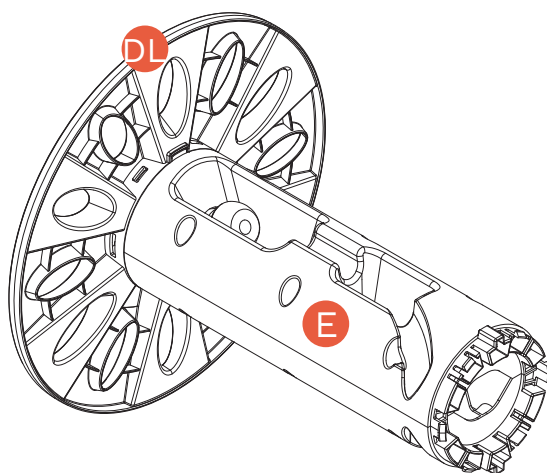
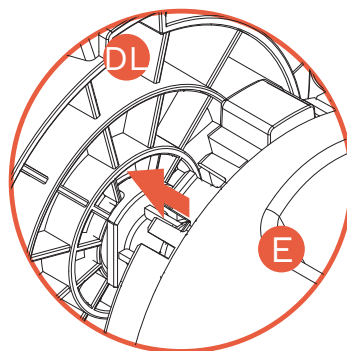
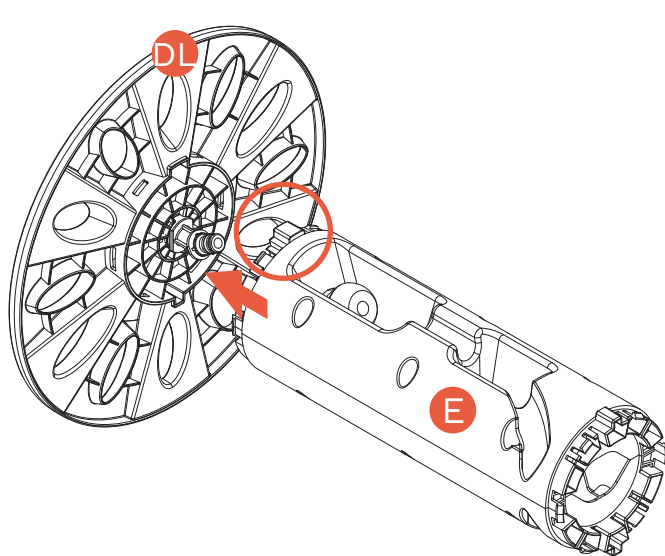
G2,G3 need to be securely fastened.

Assembly steps

Step 2



E (X1)



Assembly steps

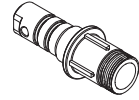
Step 3



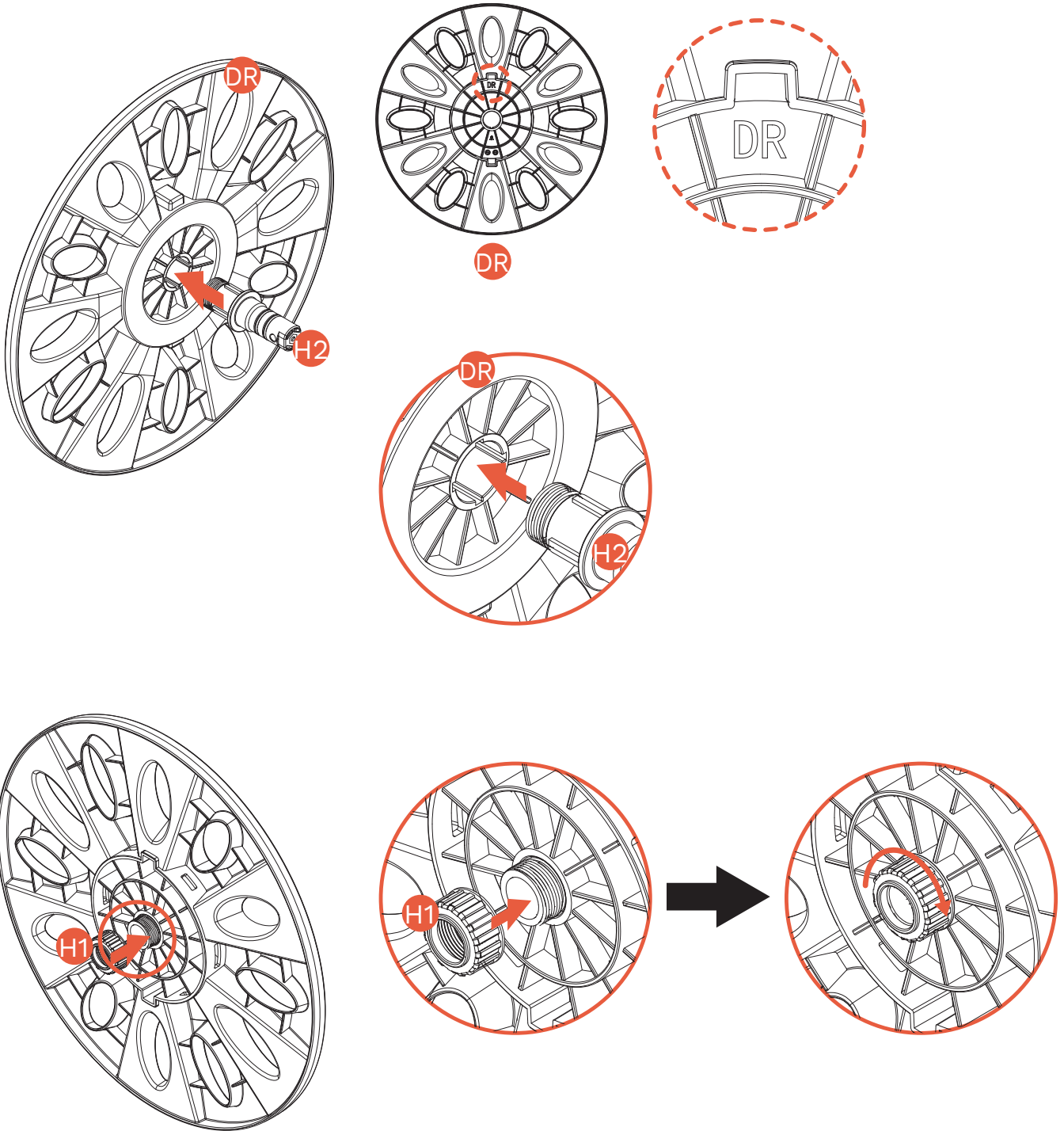
DR (X1)



H1 (X1)

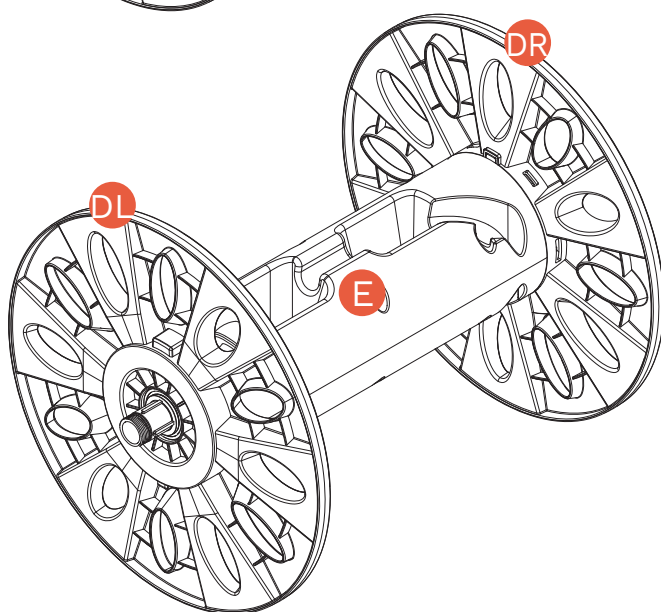
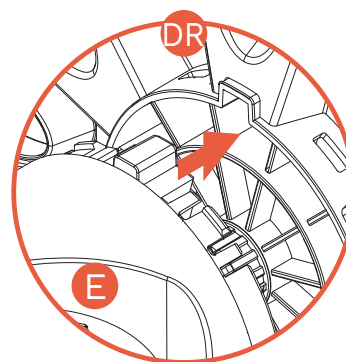
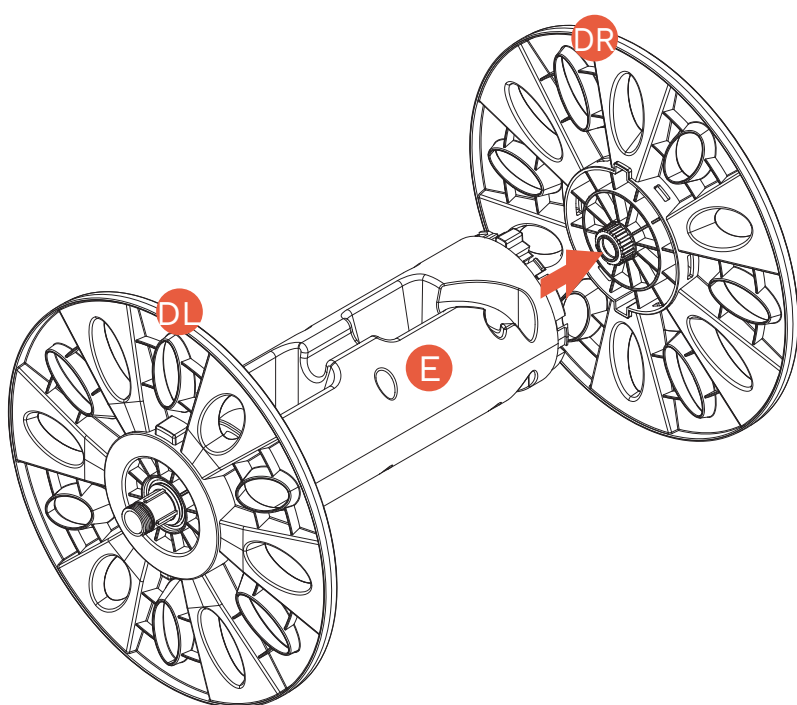


H2 (X1)



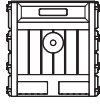
Assembly steps

Step 4



Assembly steps

Step 5



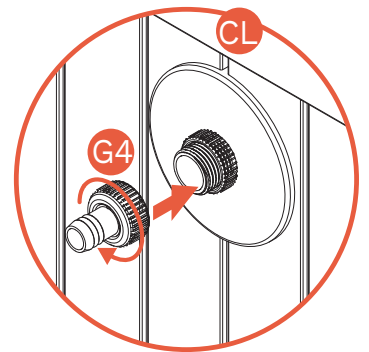
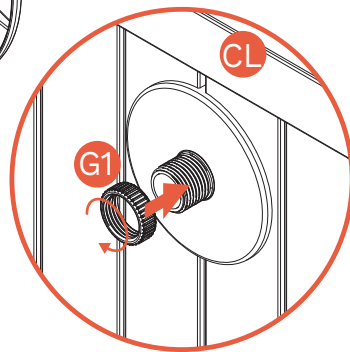
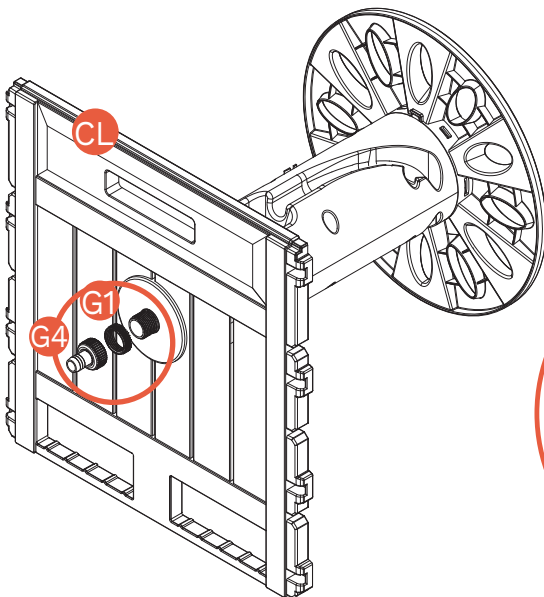
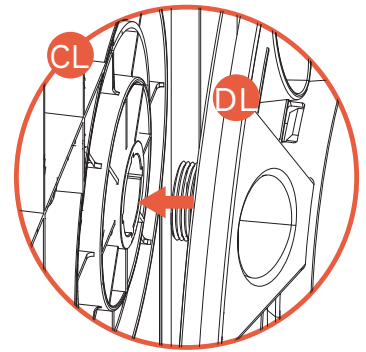
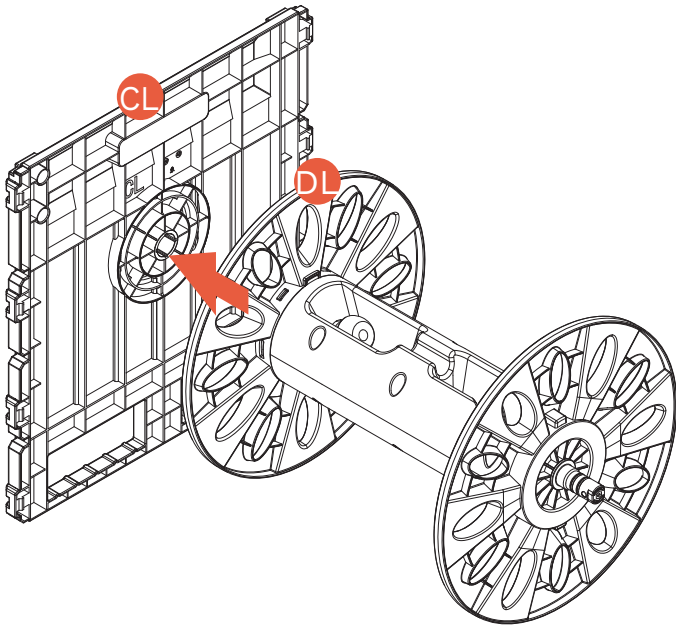
CL (X1)



G1 (X1)



G4 (X1)



Assembly steps

Step 6



P (X1)



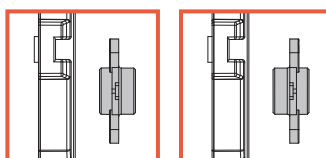
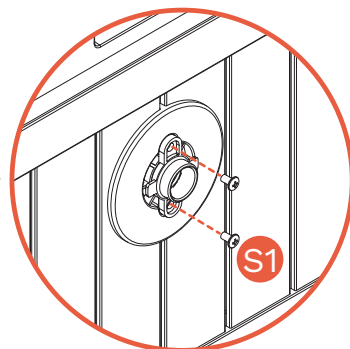
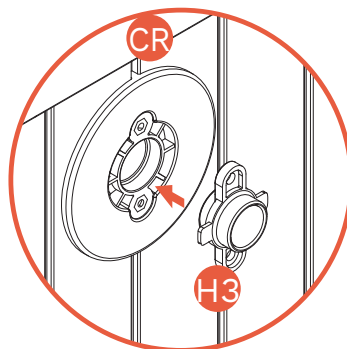
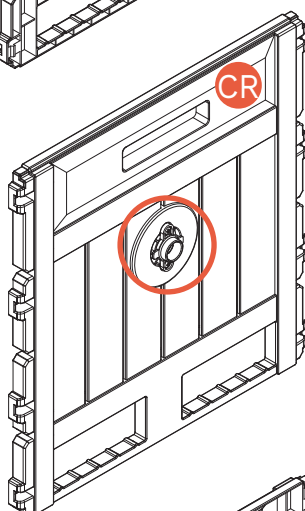
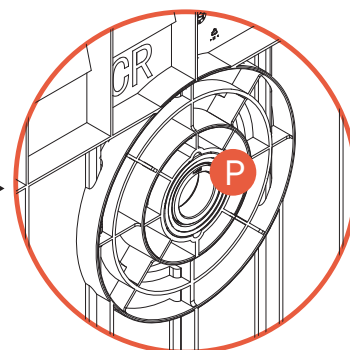
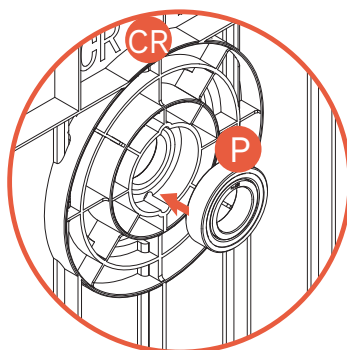
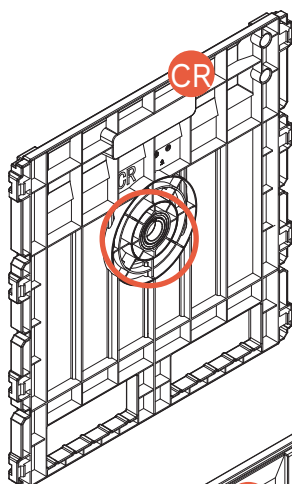
CR (X1)



H3 (X1)



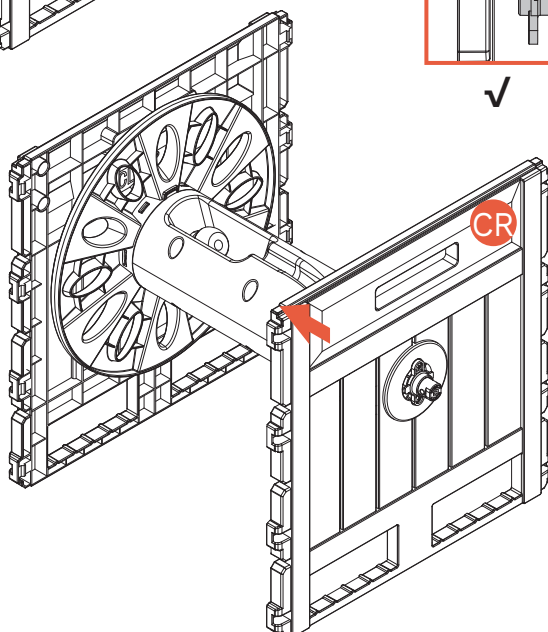
S1 (X2)



✓

✗

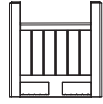
Insert the narrow side inward.



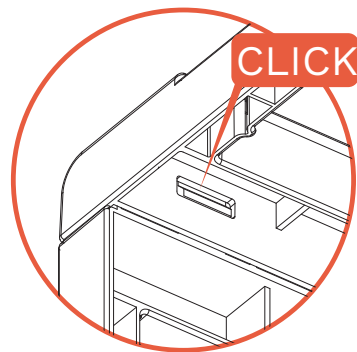
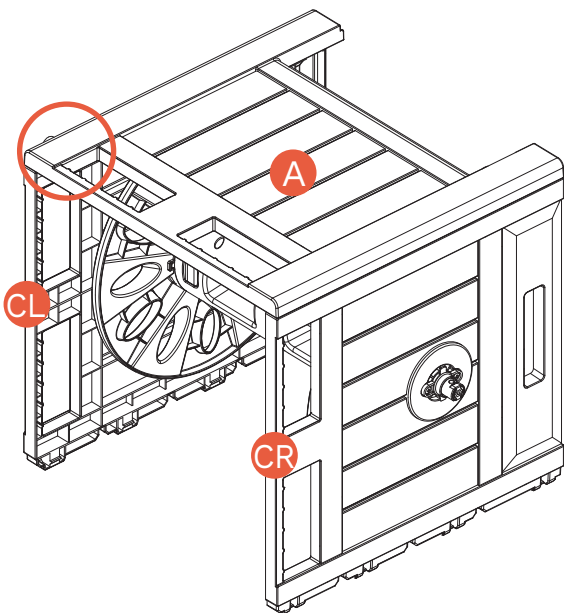
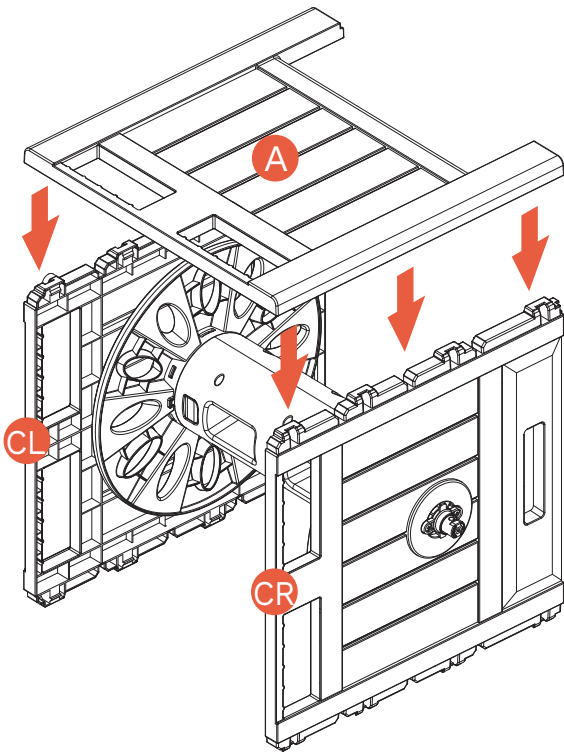
CR

Assembly steps

Step 7

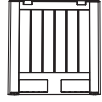


A (X1)

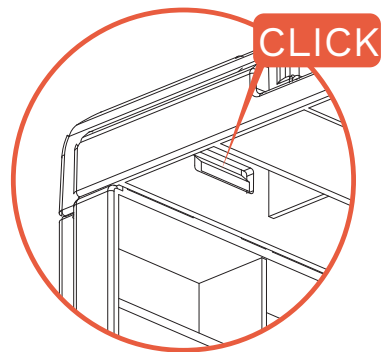
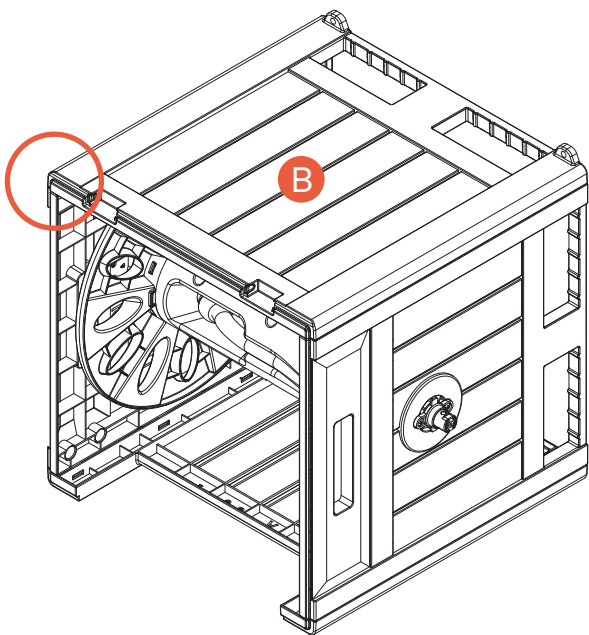
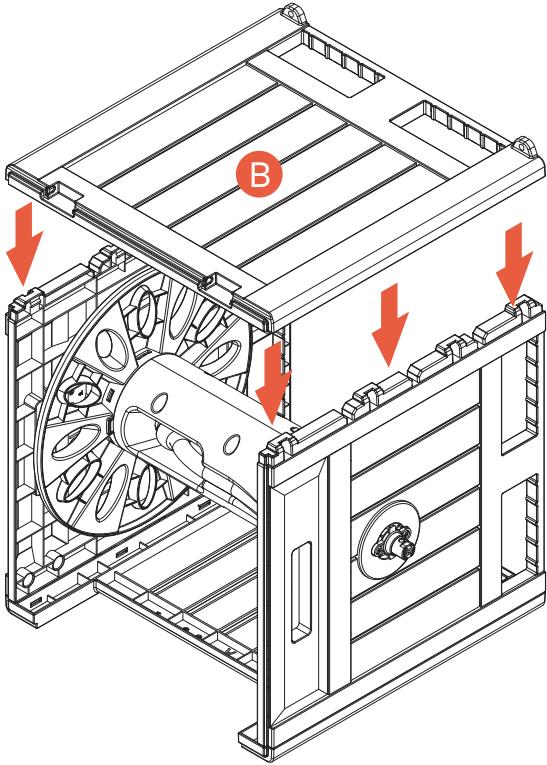


Assembly steps

Step 8



B (X1)



Assembly steps

Step 9



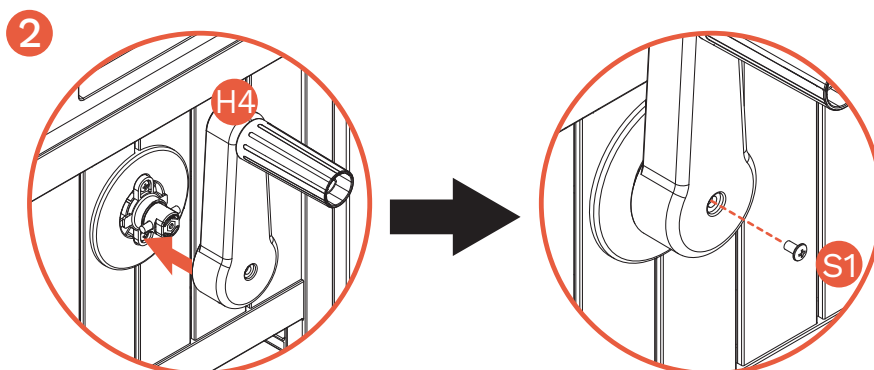
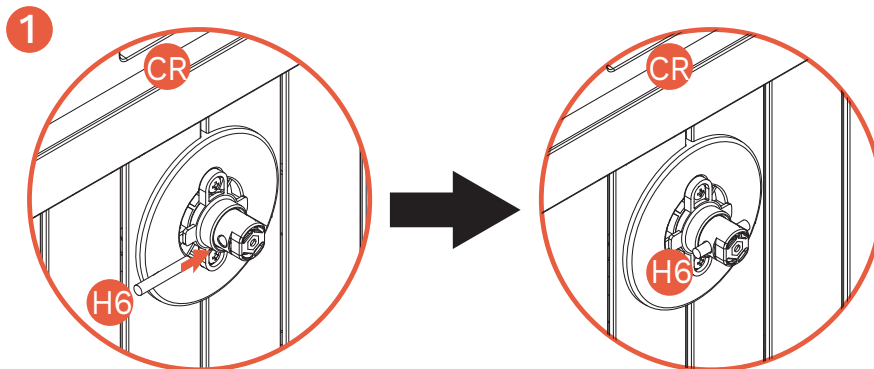
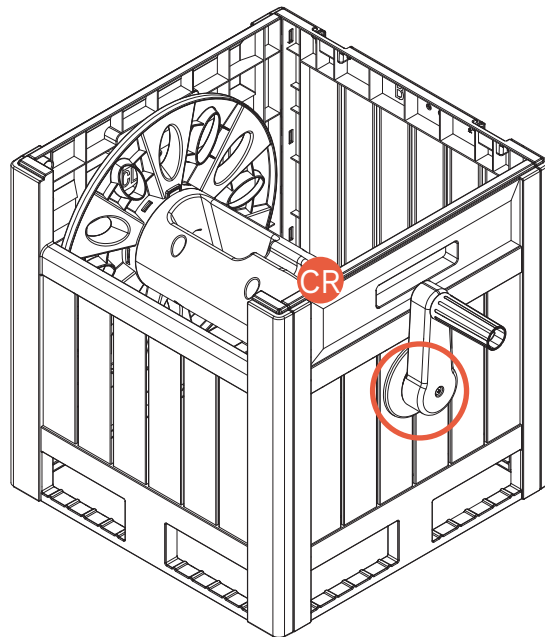
H6 (X1)



H4 (X1)



S1 (X1)

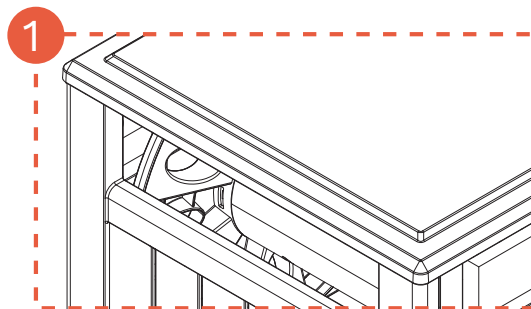
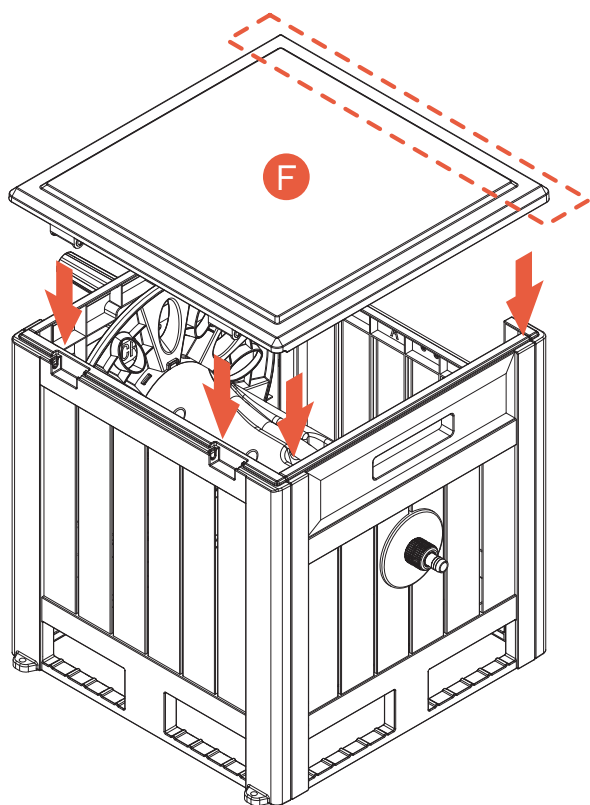


Assembly steps

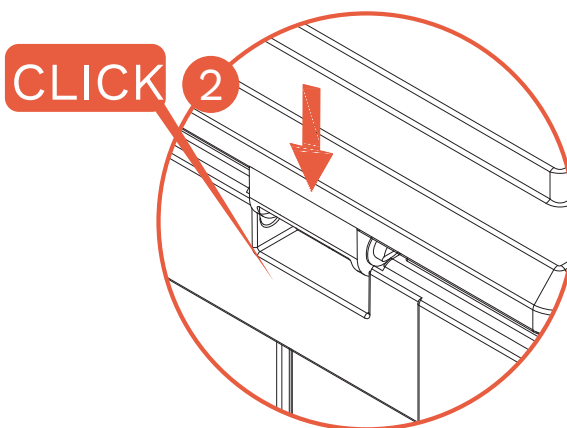
Step 10



F (X1)



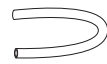
Align the front edge of the top cover.



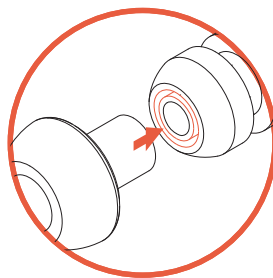
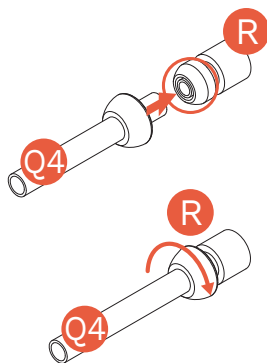
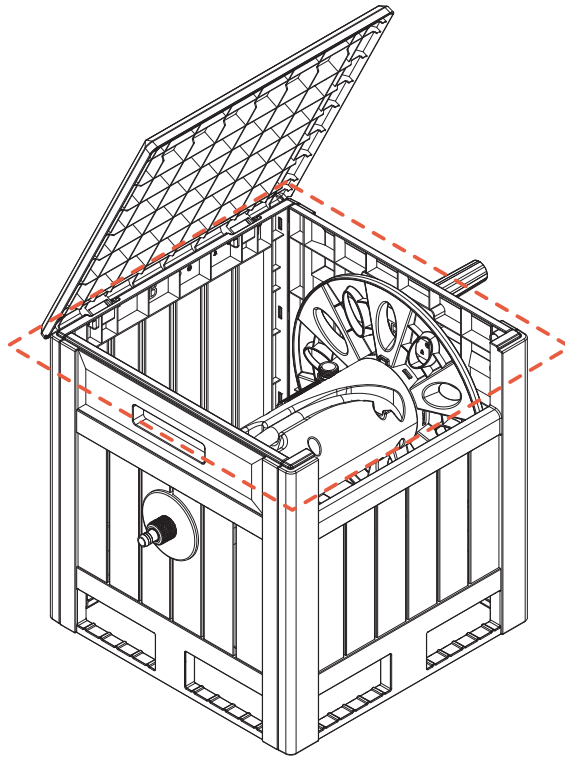
After aligning, push down and finish.

Assembly steps

Step 11

 Q4 (X1)

 R (X1)



Please press the hose into the groove.
Attention: press hardly to avoid plumbing leak.

Assembly steps

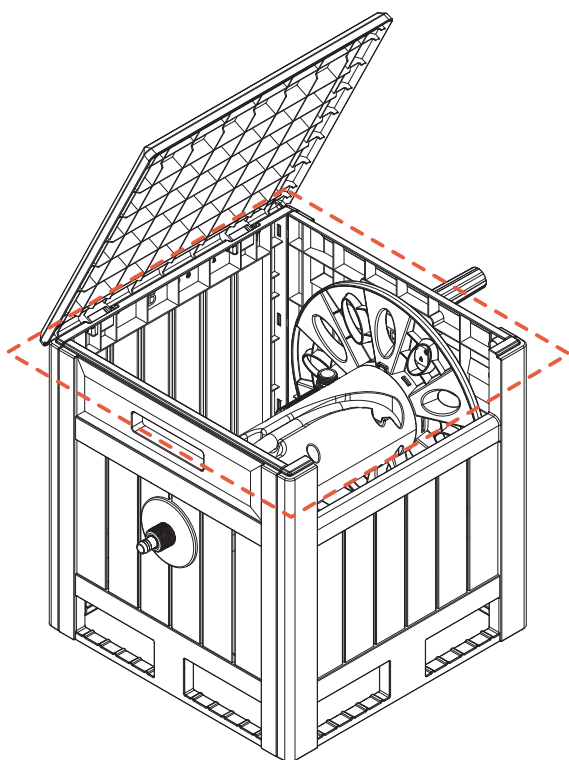
Step 12



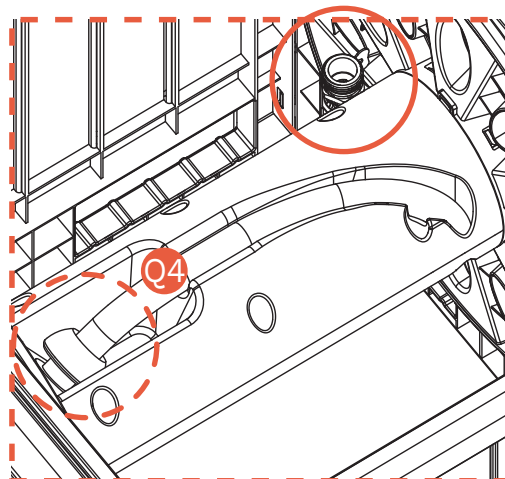
G6 (X1)



G7 (X1)

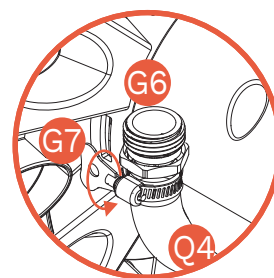
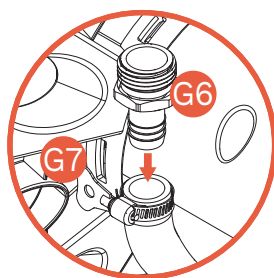
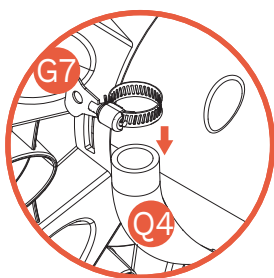


①



Attention: First thread the pipe Q4 into the hole then installing the G6 and G7

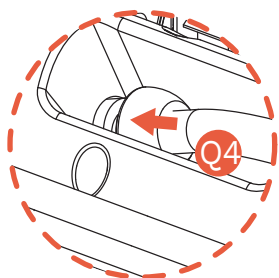
②



First slide the hose clamp G7 over the water pipe Q4, then insert G6 into Q4.

Turn the handle to tighten the connection between G6 and Q4.

③



Hearing the "click" means it is tight

Assembly steps

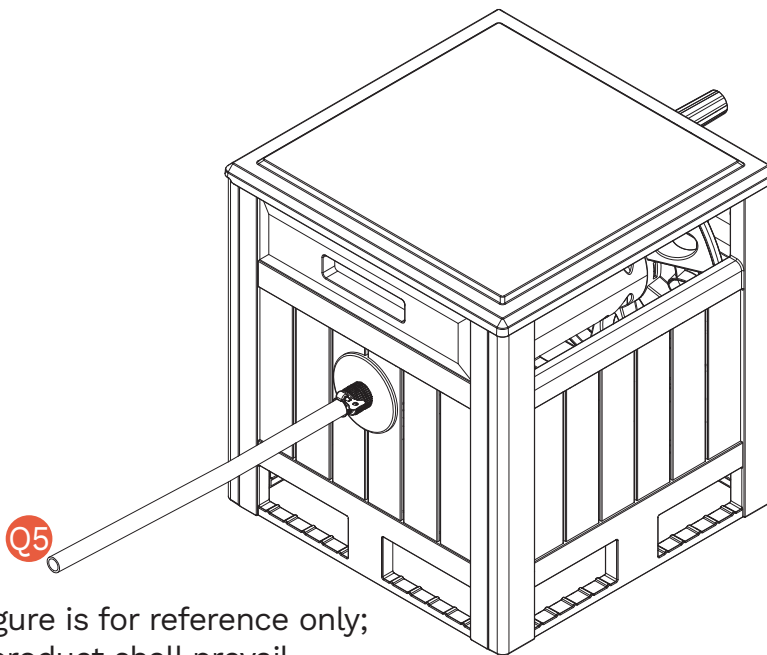
Step 13



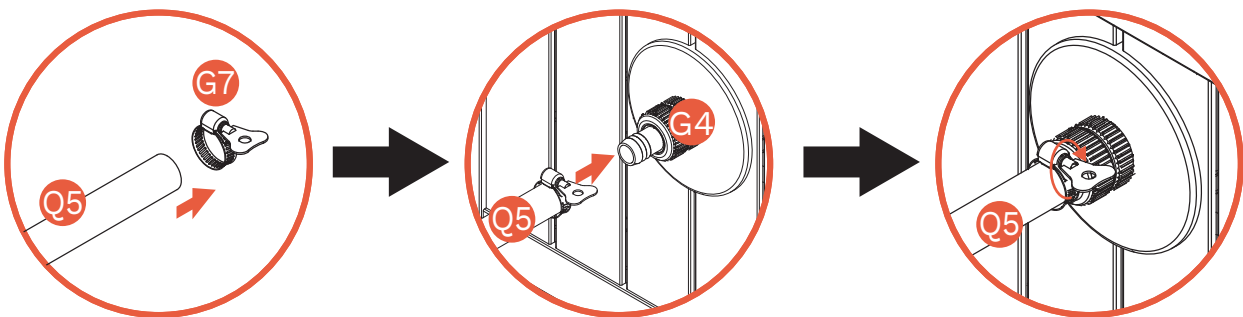
Q5 (X1)



G7 (X1)



* Q5 in the figure is for reference only;
the actual product shall prevail.



First slide the hose clamp G7 over the water pipe Q5, then insert Q5 into the port of G4, and finally tighten G7.

Assembly steps

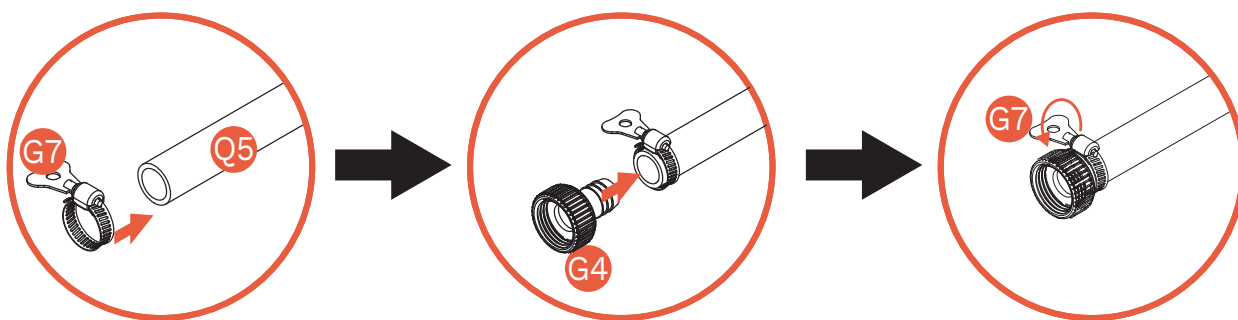
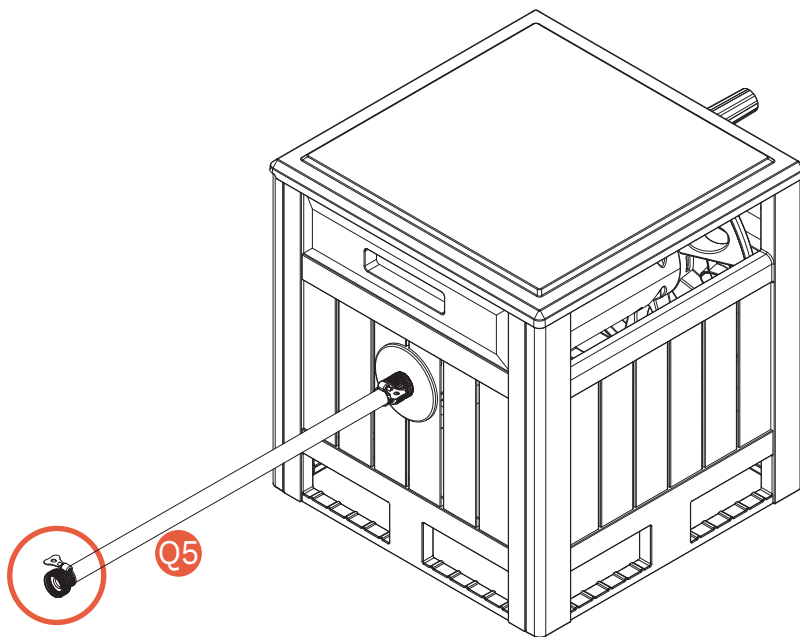
Step 14



G7 (X1)



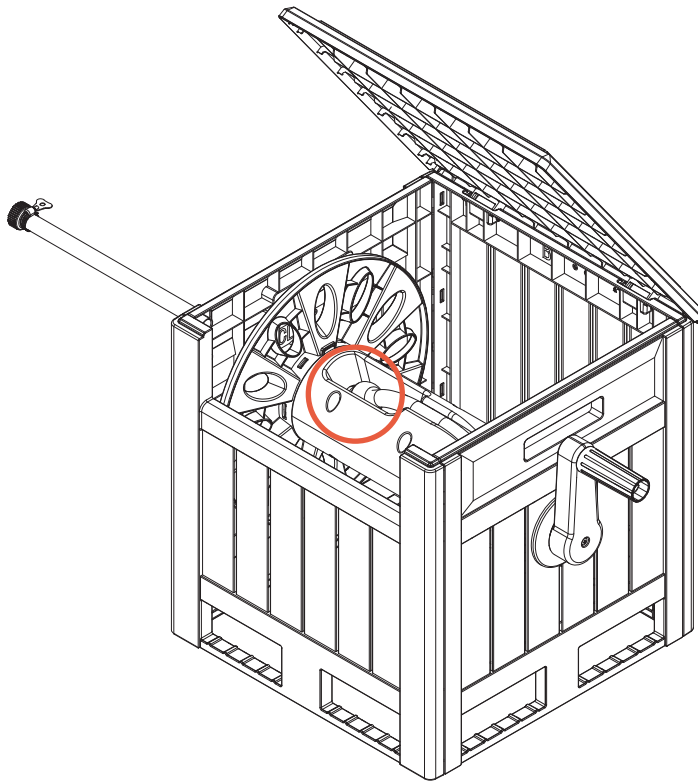
G4 (X1)



First slide the hose clamp G7 over the water pipe Q5, then insert G4 into Q5, and finally tighten G7.

Assembly steps

Step 15



Press the button of E, after hearing the "click" and then you could pull out to change the pipe.

