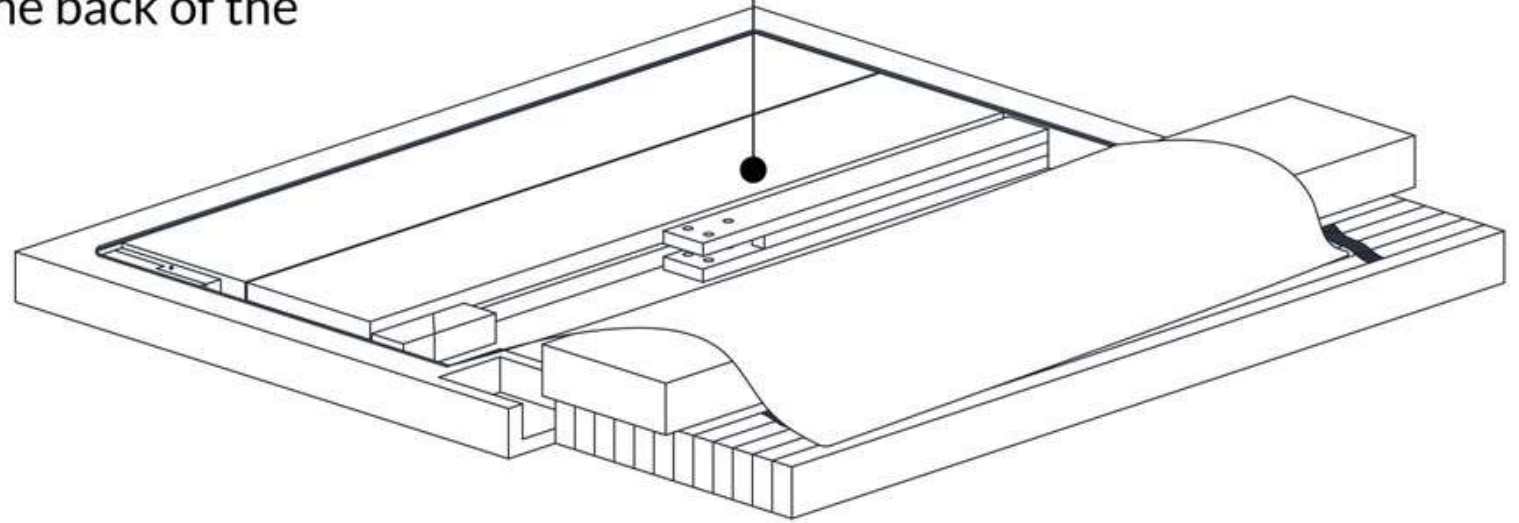


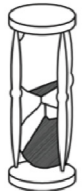
PLEASE UNZIP THE HEADBOARD FOR PARTS.

We are here!

The rest of the **parts are packed inside** the compartment at the back of the headboard.



ASSEMBLY INSTRUCTIONS



30 min



x 2



Tool Required

USEFUL HINTS BEFORE YOU START:

1. Read each step carefully before starting.
2. It is important that each step is performed in correct order to avoid difficulties.
3. Identify, sort and count the parts before assembly.
4. Assemble the product in packaging cardboard to prevent scratch or damage.
5. Using incompatible hardware might cause damage to the product. **DO NOT FULLY-TIGHTEN** the nut until all nuts are ready assembled.

IMPORTANT NOTES:

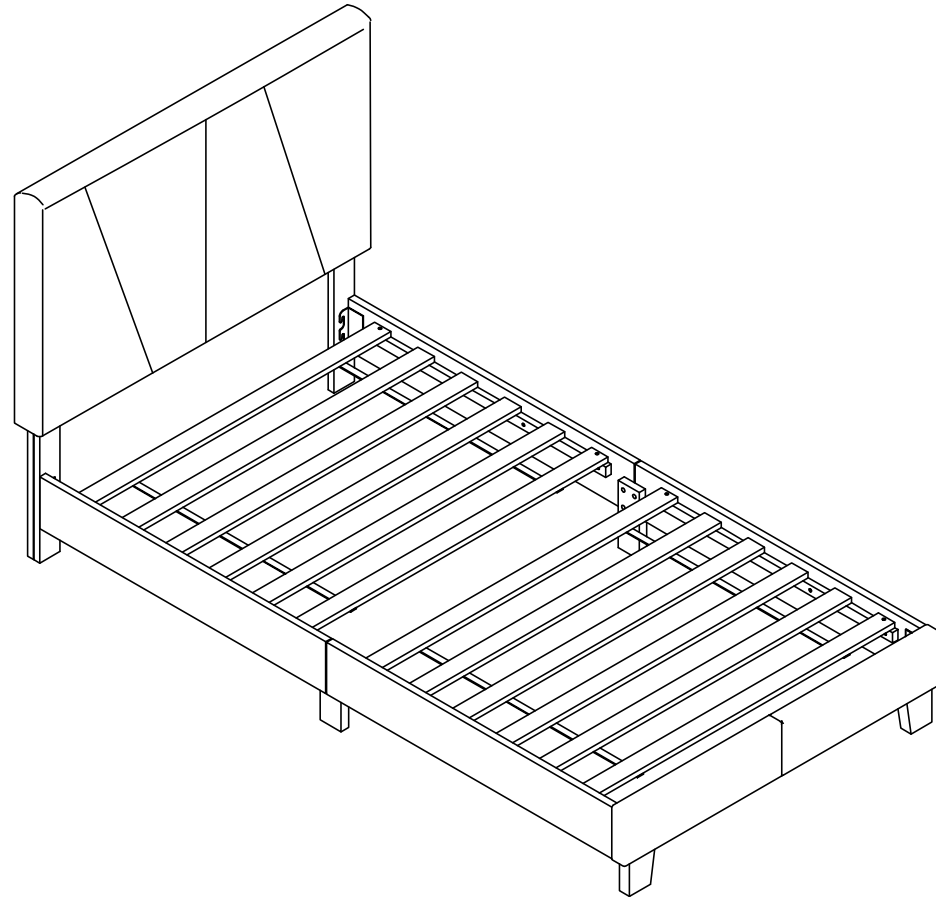
* This unit has been designed to support maximum loads:

TWIN & TWIN XL: 200 lbs, FULL: 400 lbs

QUEEN: 500 lbs, KING & CAL.KING: 600 lbs

Exceeding these load limits could cause sagging, instability, product collapse, and/or serious injury.

*Keep all hardware parts out of reach of children.



GEOMETRIC DESIGN BED FRAME

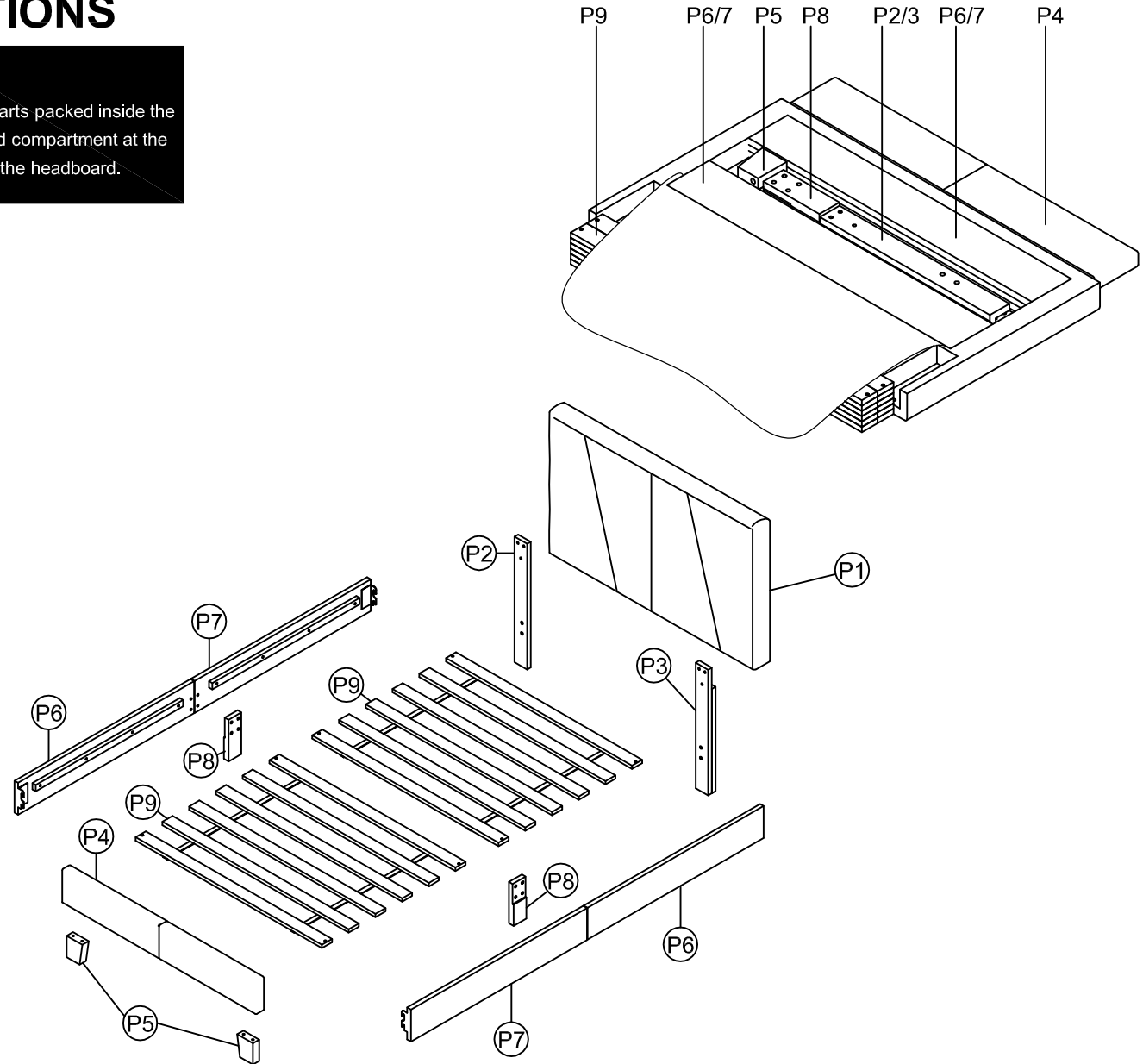
ASSEMBLY INSTRUCTIONS

NO	PART LIST	QTY
P1	HEADBOARD CUSHION	1PC
P2	LEFT HEADBOARD LEG (with 'L' Label)	1PC
P3	RIGHT HEADBOARD LEG (with 'R' Label)	1PC
P4	FOOTBOARD CUSHION	1PC
P5	FOOTBOARD LEGS	2PCS
P6	SIDE RAIL (A)	2PCS
P7	SIDE RAIL (B)	2PCS
P8	SIDE RAIL SUPPORT LEGS	2PCS
P9	ROLL SLAT	2SET

NO	HARDWARE LIST	QTY
HA	JCBB SCREW M8 X 20	8 PCS + 1 Extra
HB	JCBB SCREW M6 X 35	14 PCS + 1 Extra
HC	JCBB SCREW M6 X 70	2 PCS + 1 Extra
HD	WOOD DOWEL	2 PCS + 1 Extra
HE	SPRING WASHER	14 PCS + 1 Extra
HF	FLAT WASHER	14 PCS + 1 Extra
HG	WOOD SCREW M4 X 32	8 PCS + 1 Extra
HH	ALLEN KEY M5 X 65	1 PC
HI	ALLEN KEY M4 X 100	1 PC

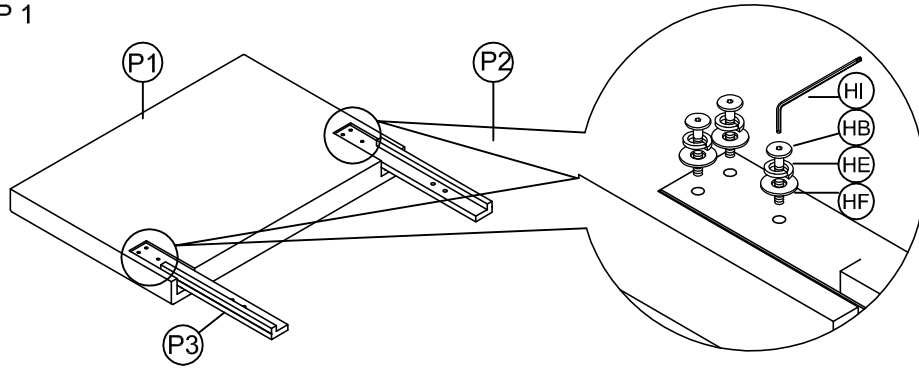
NOTE:

Some parts packed inside the zippered compartment at the back of the headboard.

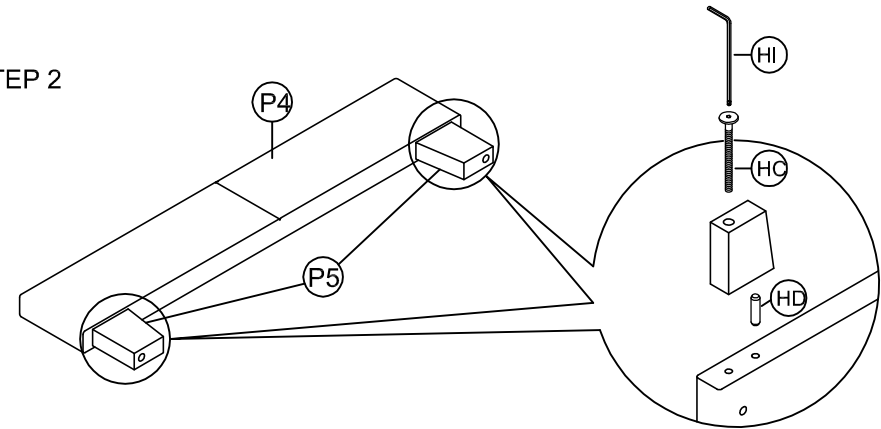


ASSEMBLY INSTRUCTIONS

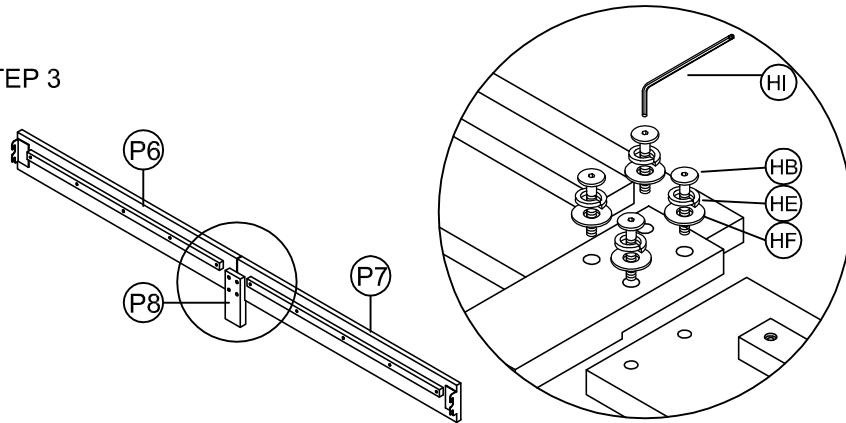
STEP 1



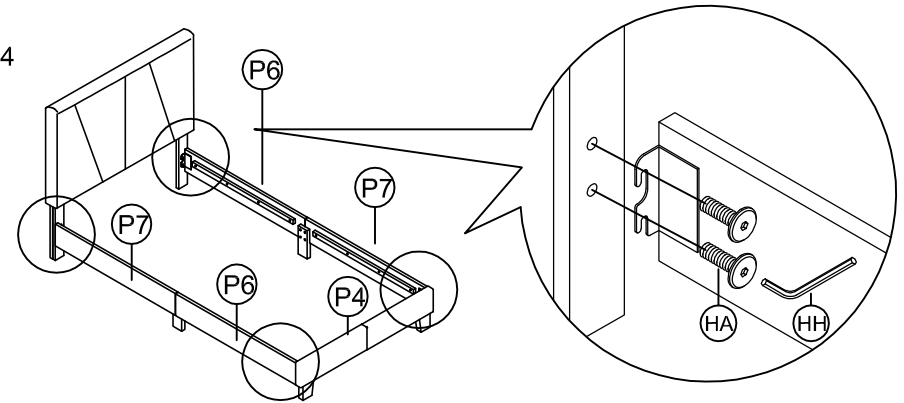
STEP 2



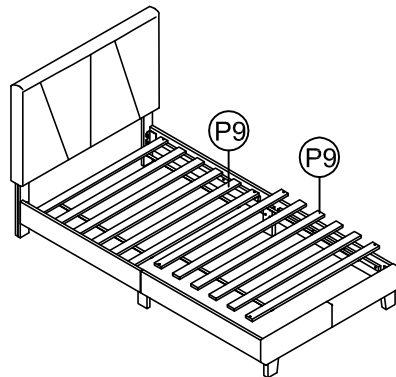
STEP 3



STEP 4



STEP 5



STEP 6

