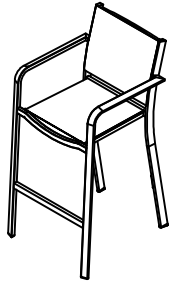
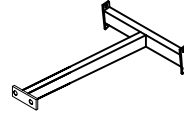


bar chair



A:1PCS



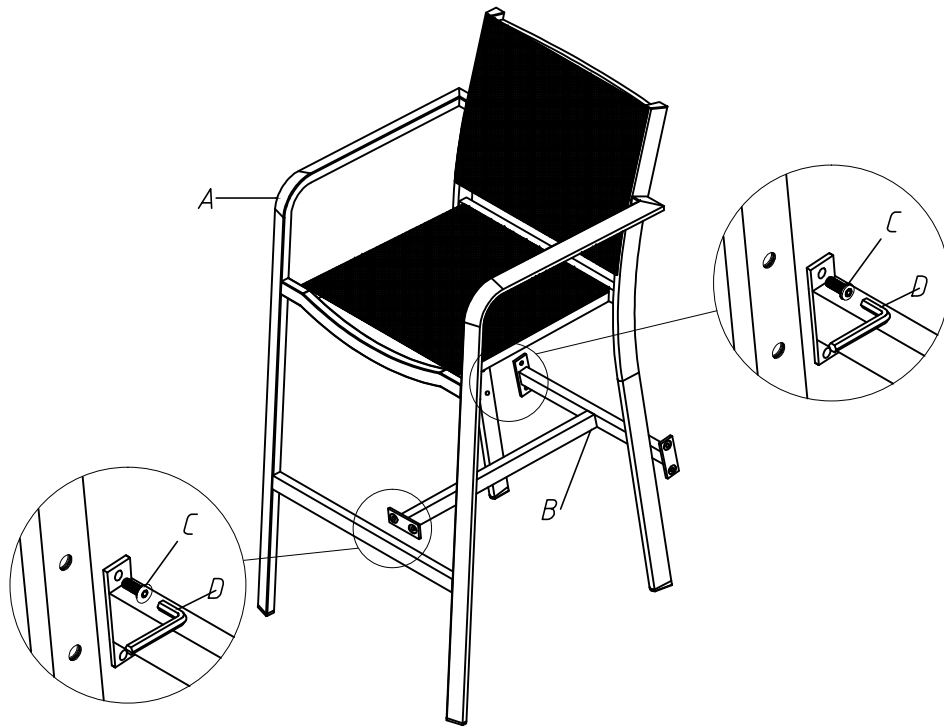
B:1PCS



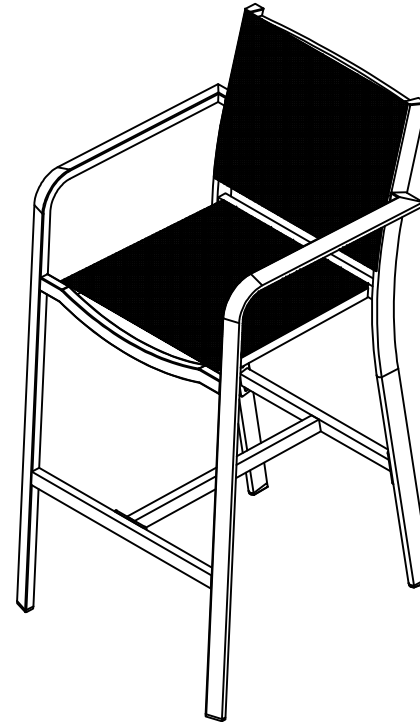
C:M6*20*6PCS



D:4MM*1PCS



1



2

Please assemble all components firstly, then tightly fix all screws.