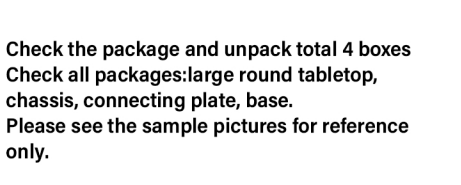


This manual is applicable to the installation of this gourd base product. If you purchase this product, please read the assembly manual carefully before assembling and assemble it according to the detailed installation steps.

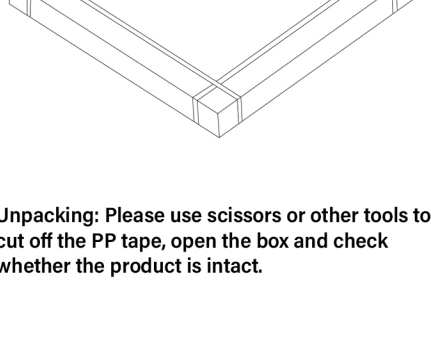
1

Dining Table Installation Manual



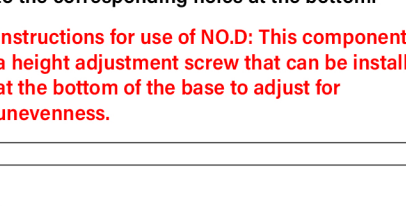
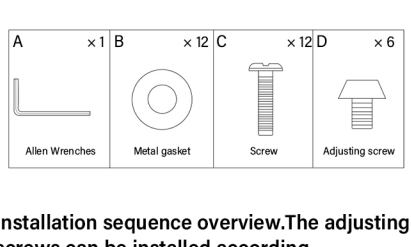
Check the package and unpack total 4 boxes
Check all packages: large round tabletop, chassis, connecting plate, base.
Please see the sample pictures for reference only.

2



Unpacking: Please use scissors or other tools to cut off the PP tape, open the box and check whether the product is intact.

3



Installation sequence overview. The adjusting screws can be installed according to the corresponding holes at the bottom.

Instructions for use of NO.D: This component is a height adjustment screw that can be installed at the bottom of the base to adjust for unevenness.

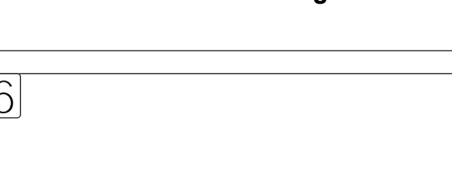
4

Step 1

Secure the Chassis Using the provided screws and screwdriver, insert the screws into all aligned holes. Lightly tighten each screw first to hold the chassis in place without shifting.

Step 2

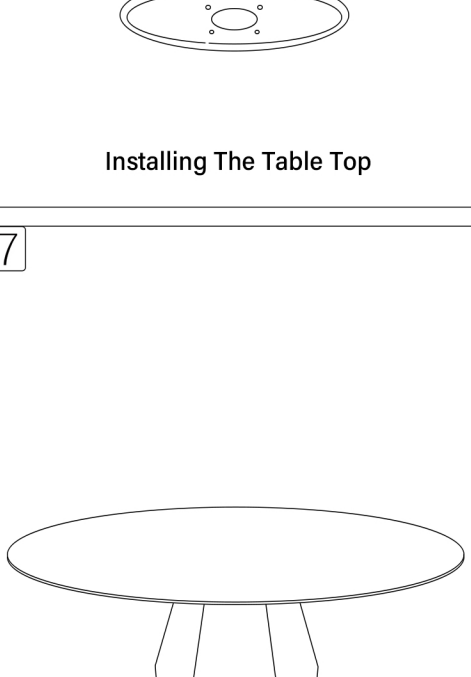
Tighten Evenly Tighten all screws gradually in a diagonal or cross pattern, ensuring the chassis is fully seated and evenly stressed with no wobble.



5

Install The Connecting Plate

6



Installing The Table Top

7



Installation Complete