

# ASSEMBLING INSTRUCTION

CODE: TV9012F-31/13F-3X4



DAVEE

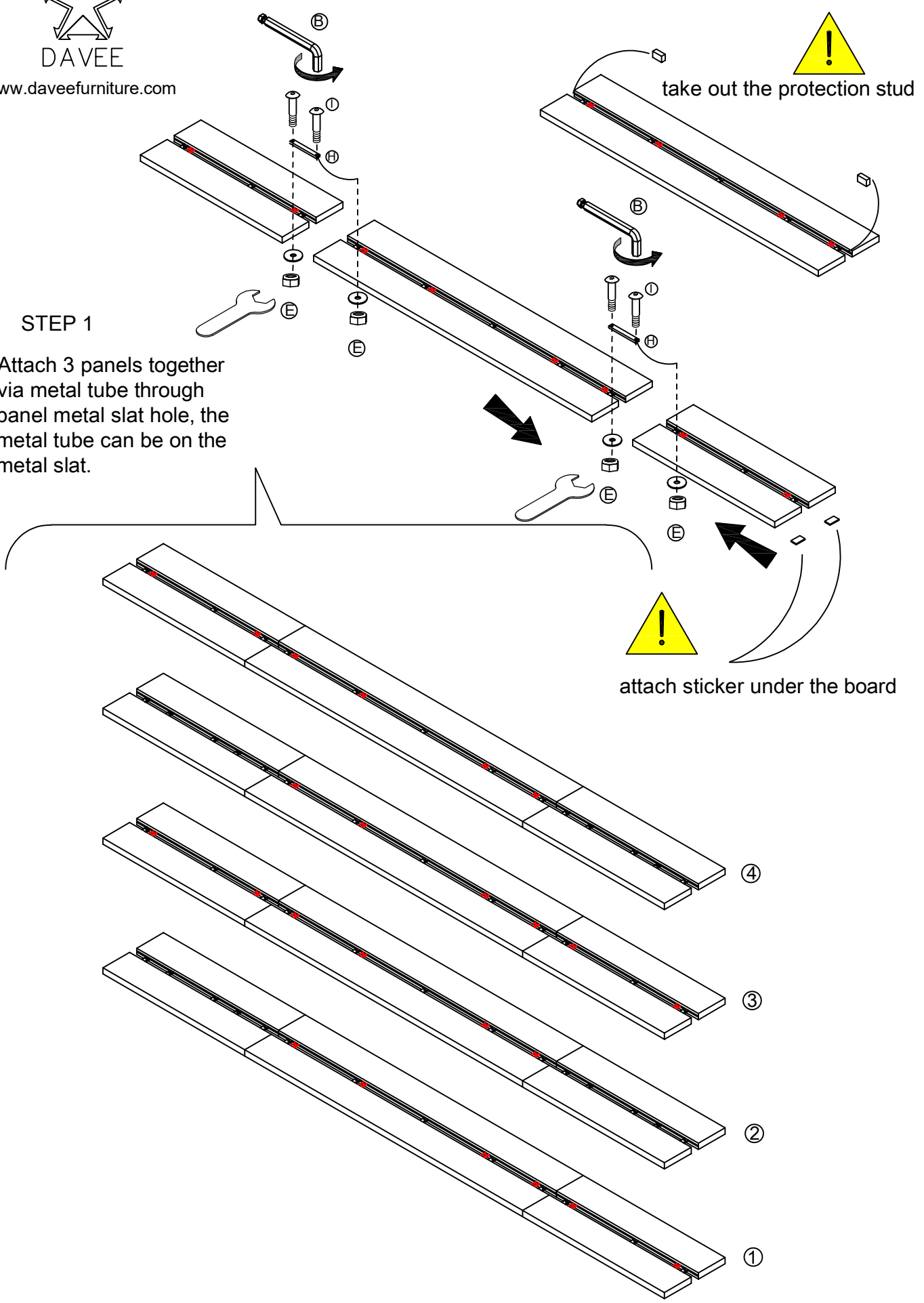
www.daveefurniture.com



take out the protection stud

## STEP 1

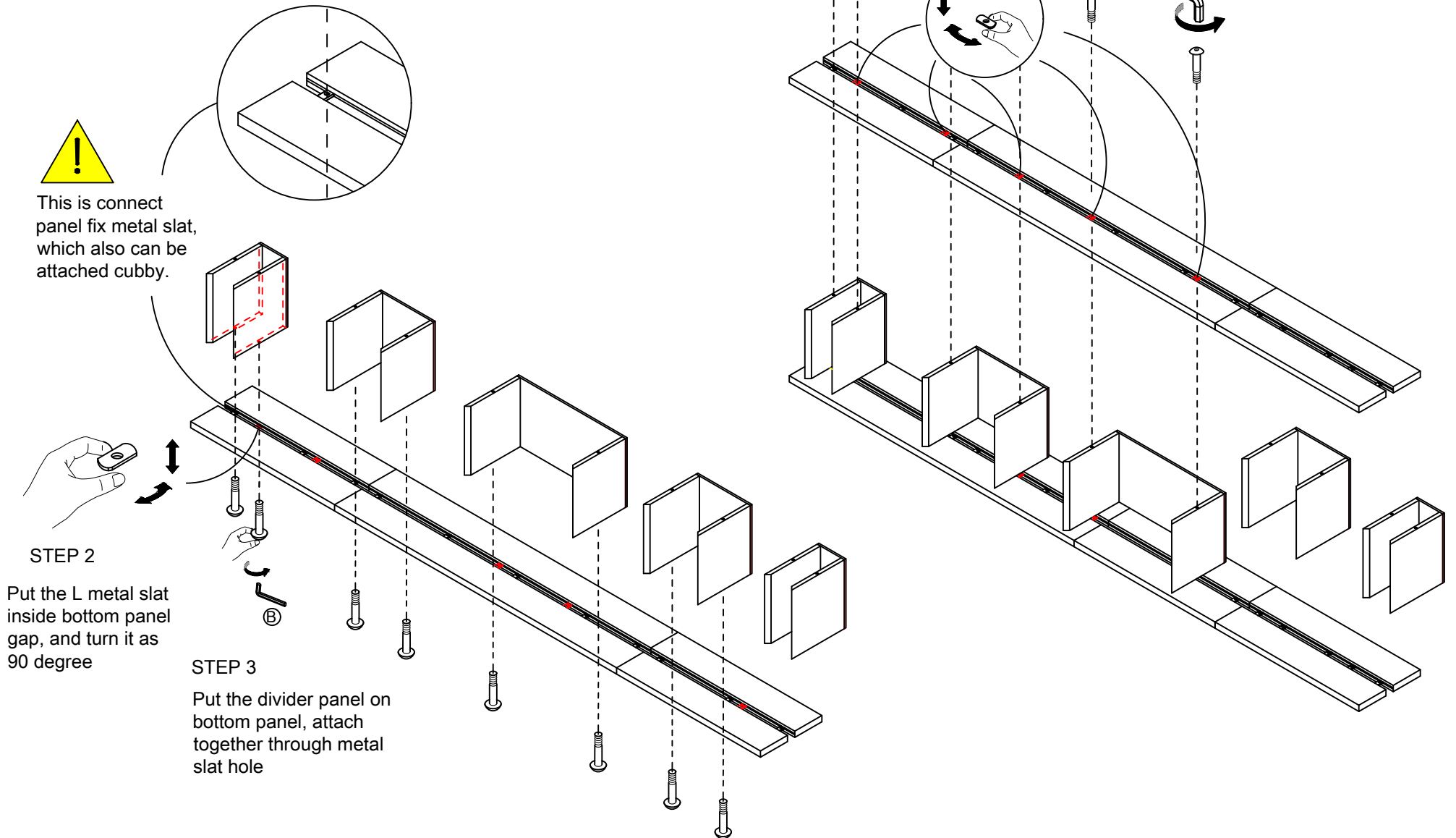
Attach 3 panels together via metal tube through panel metal slat hole, the metal tube can be on the metal slat.



attach sticker under the board



This is connect panel fix metal slat, which also can be attached cubby.



**STEP 4**

Put the L metal slat inside bottom panel gap, and turn it as 90 degree

**STEP 5**

attach cubby with panel via bolts through metal slat hole

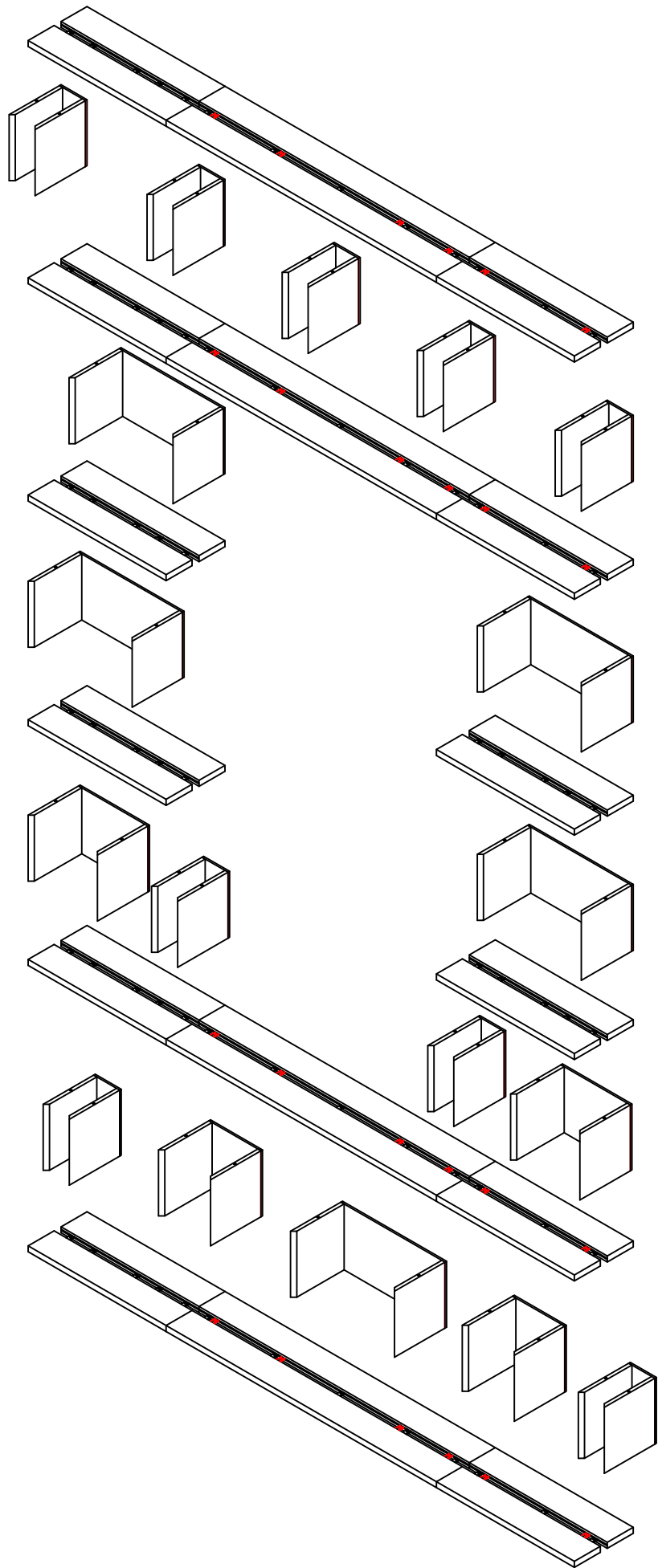
**STEP 2**

Put the L metal slat inside bottom panel gap, and turn it as 90 degree

**STEP 3**

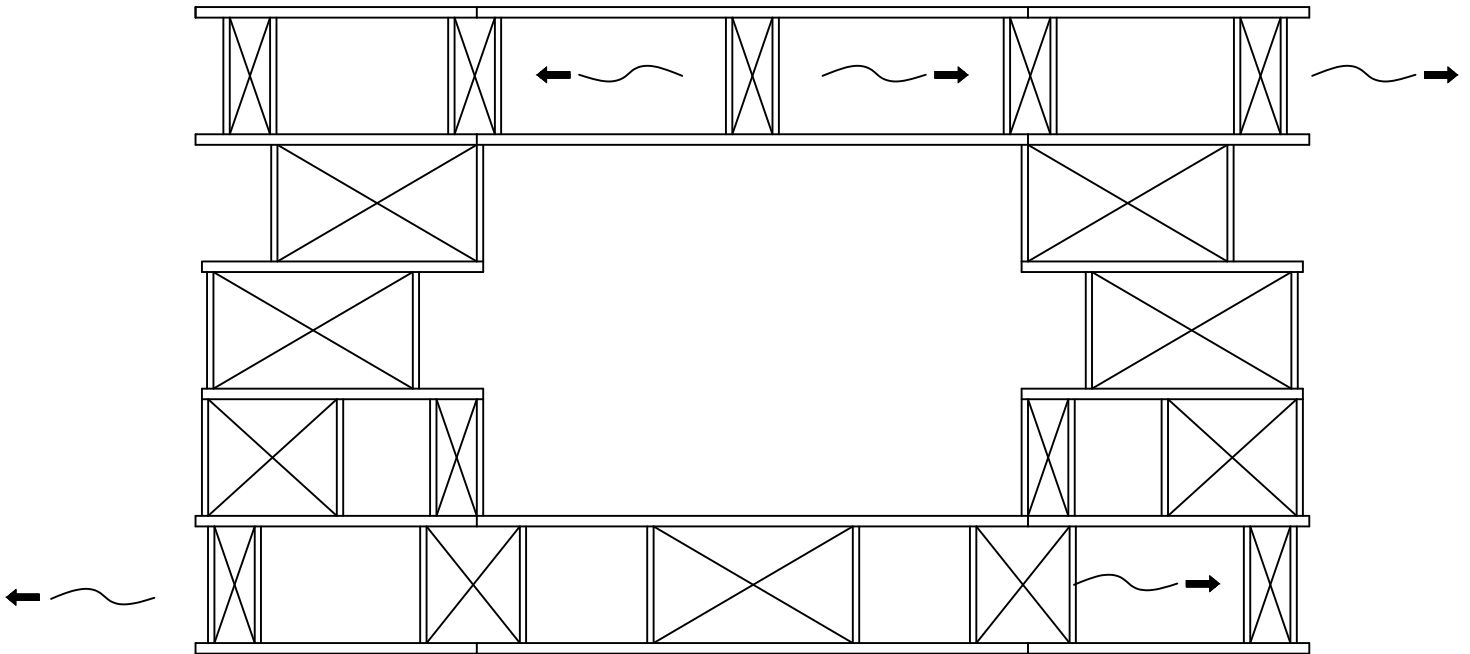
Put the divider panel on bottom panel, attach together through metal slat hole

Please repeat  
steps of 2,3,4,5 till  
be finished the  
whole assembling





For every tiers, the whole cubby can be moved according to what space your need between cubbies



If shelves be loading more heavy items, we strong recommend you set the cubby in the middle of two panels joint place

