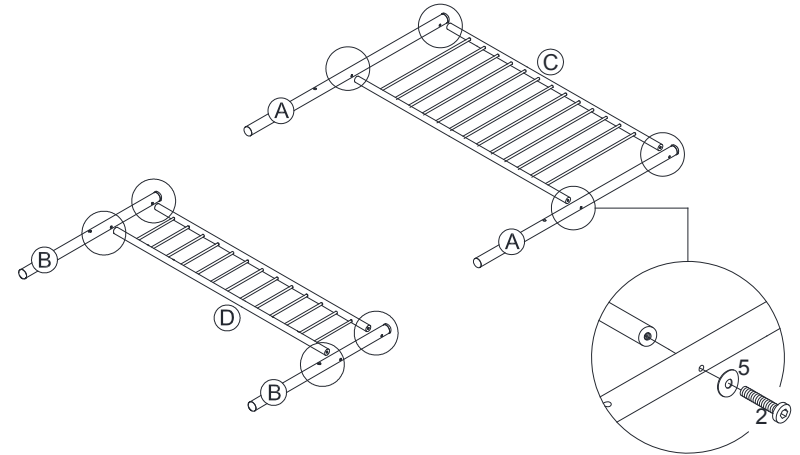


1		M8x65mm	X4
2		M6x50mm	X12
3		M6x40mm	X6
4		M6x15mm	X8
5		M6	X8
6		M6	X6
7			X4
8			X1
9			X1

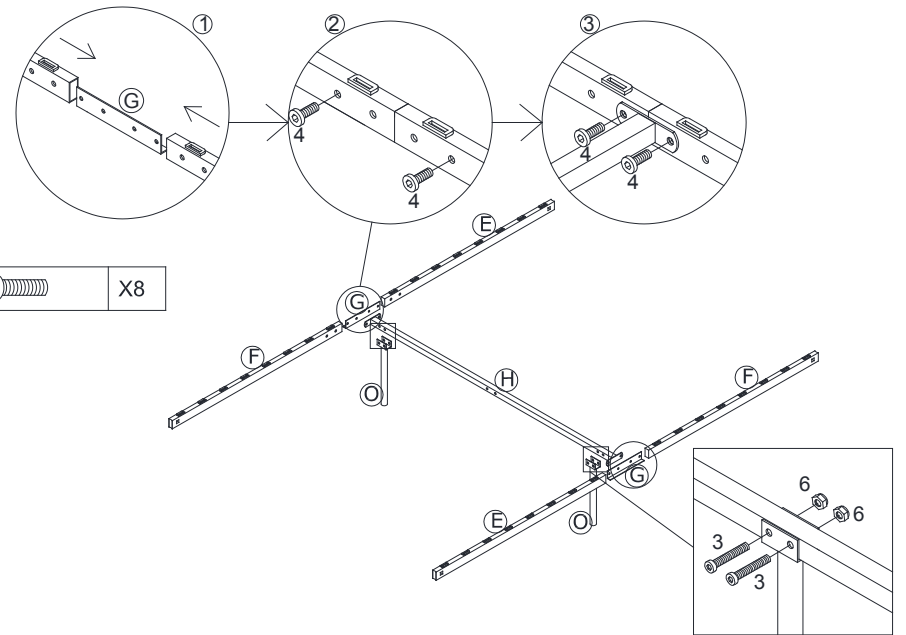
A		X2	B		X2	C		X1	D		X1
E		X2	F		X2	G		X2	H		X1
K		X12	L		X4	M		X2	N		X4
O		X2									

step 1



2		X8
5		X8

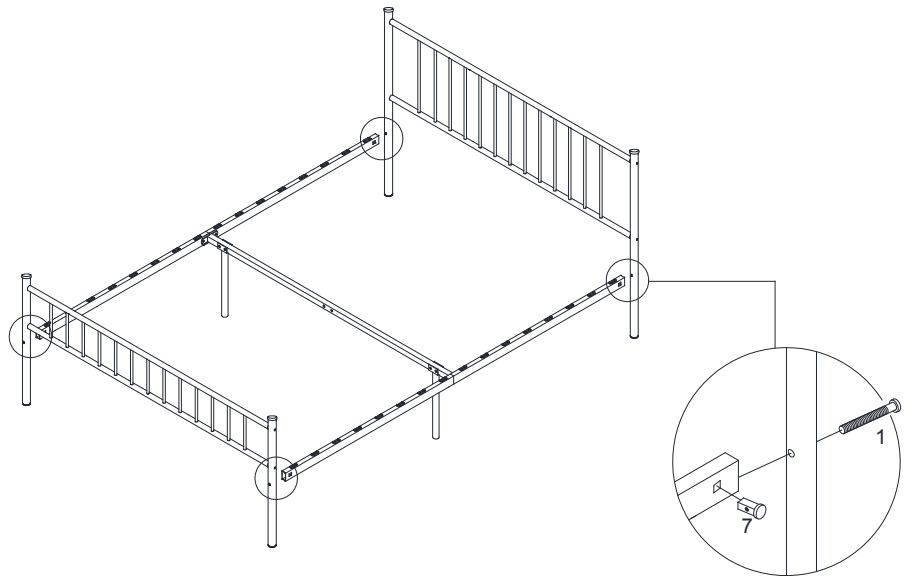
step 2

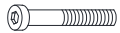



4		X8
---	--	----

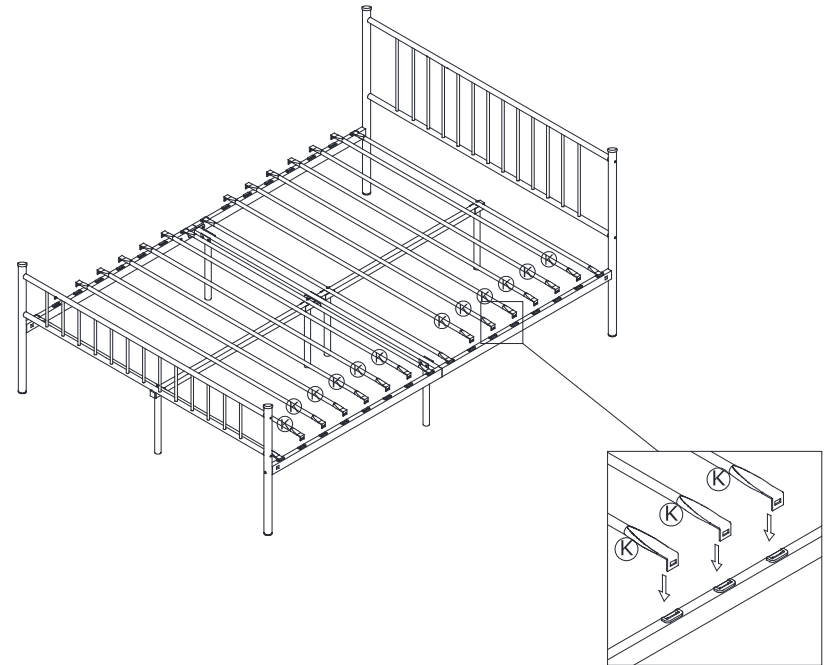
3		X4
6		X4

step 3

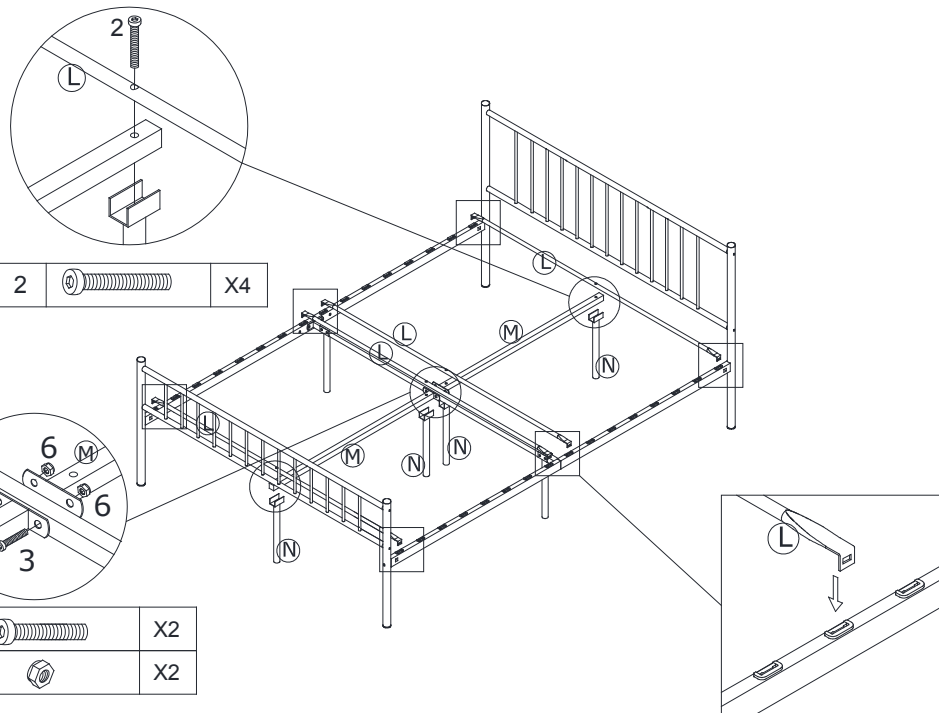



1		X4
7		X4



step 5



step 4



2		X4
---	---	----

3		X2
6		X2