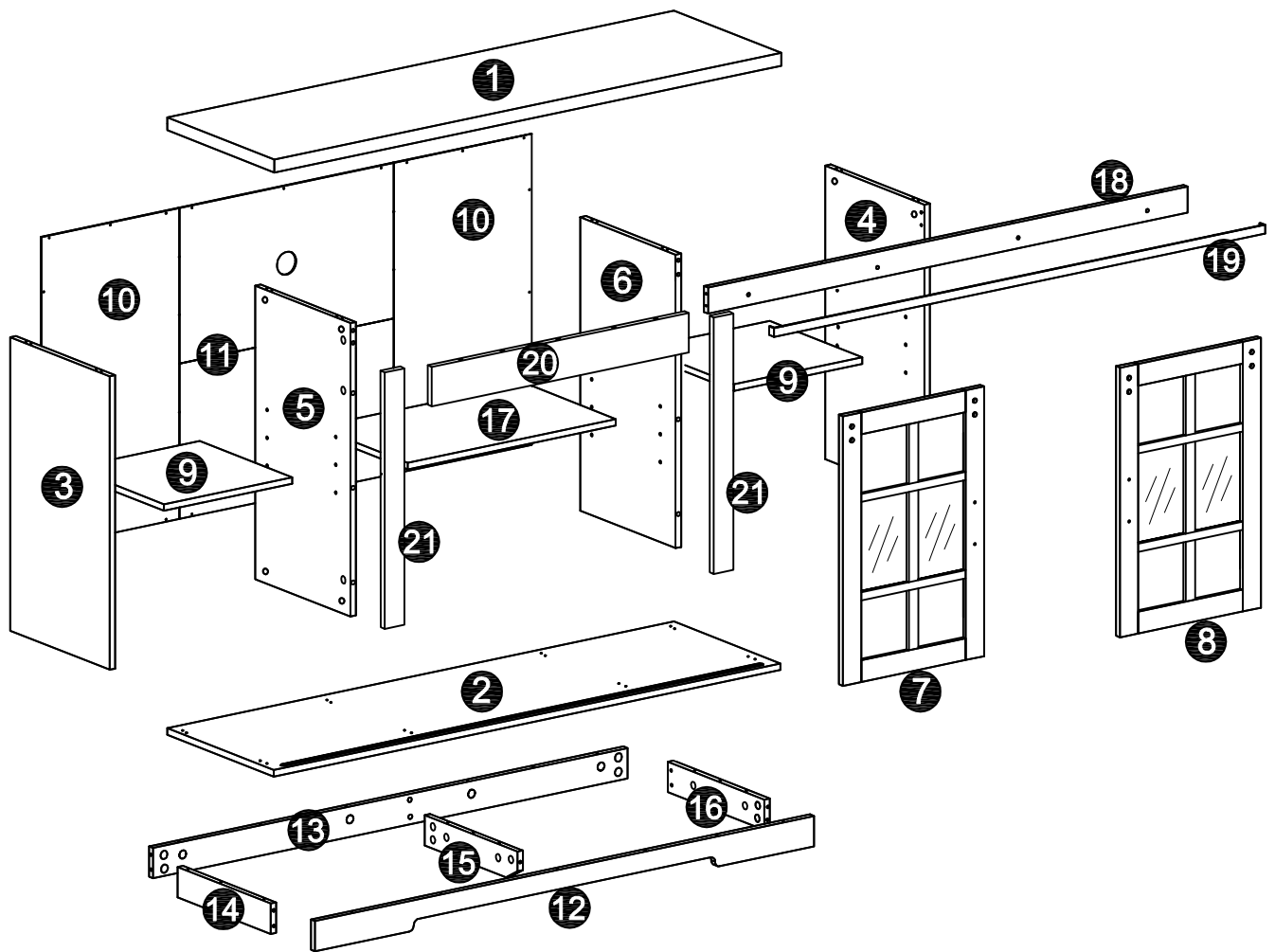


Glass Sliding Door TV Stand- w/Fireplace

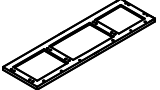
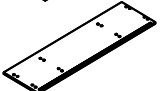
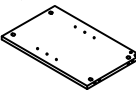
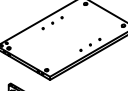
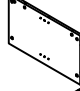
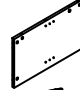


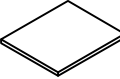
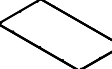
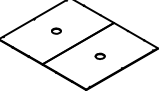


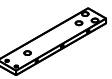
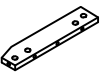
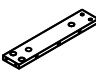

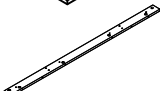

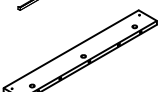

Assembly Instructions

NOTE:This instruction manual contains **IMPORTANT** safety information. Please read carefully before assembling the product




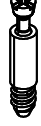

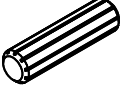



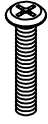



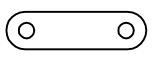


Note: Don't tighten all screws during installation.

Components

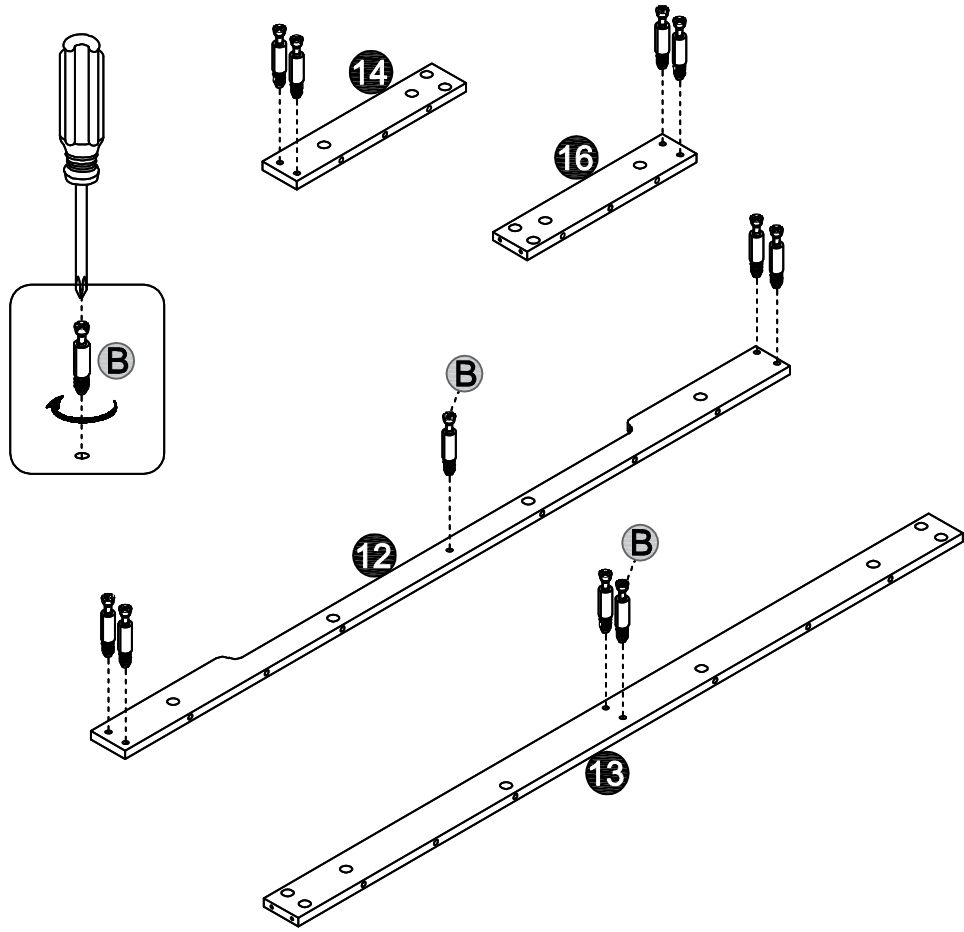
-  **1** x1
-  **2** x1
-  **3** x1
-  **4** x1
-  **5** x1
-  **6** x1
-  **7** x1
-  **8** x1
-  **9** x2
-  **10** x2
-  **11** x1
-  **12** x1
-  **13** x1
-  **14** x1
-  **15** x1
-  **16** x1
-  **17** x1
-  **18** x1
-  **19** x1
-  **20** x1
-  **21** x2

Screws & Tools

A	 A1  M4 x 22mm	 A2	x2
B			x56+1
C	 Ø15 x 11mm		x56+1
D	 Ø8 x 30mm		x33+1
E			x12
F	 Ø3 x 12mm		x32+1
G	 M6 x 12mm		x8
H	 M6 x 25mm		x4
I			x4
J			x4
K	 Ø3.5 x 12mm		x12+1
L			x2

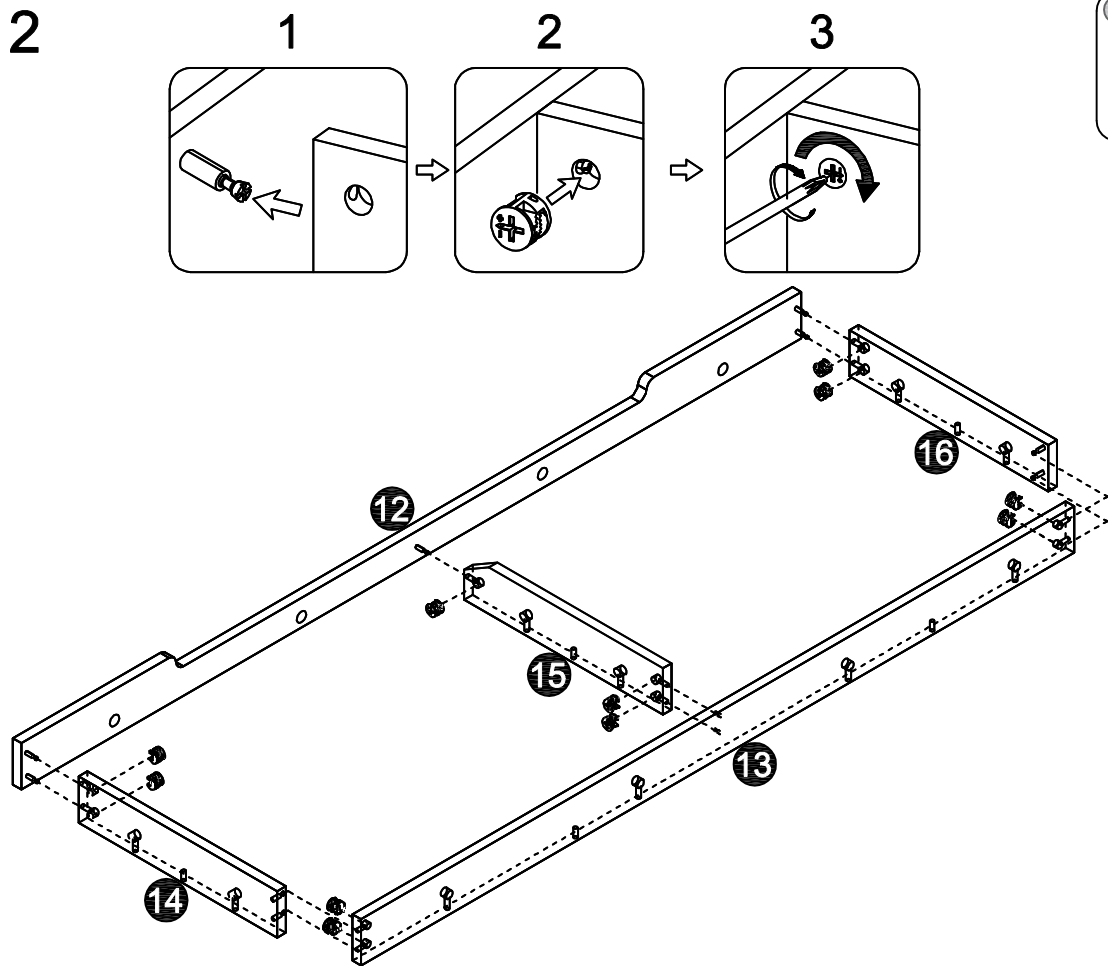
Check all the components & screws before assembly.
Do not install in case part is missing, contact us to get.
Send email with your question to support@idealhouse.vip
We will resend within 24 hours

Step 1



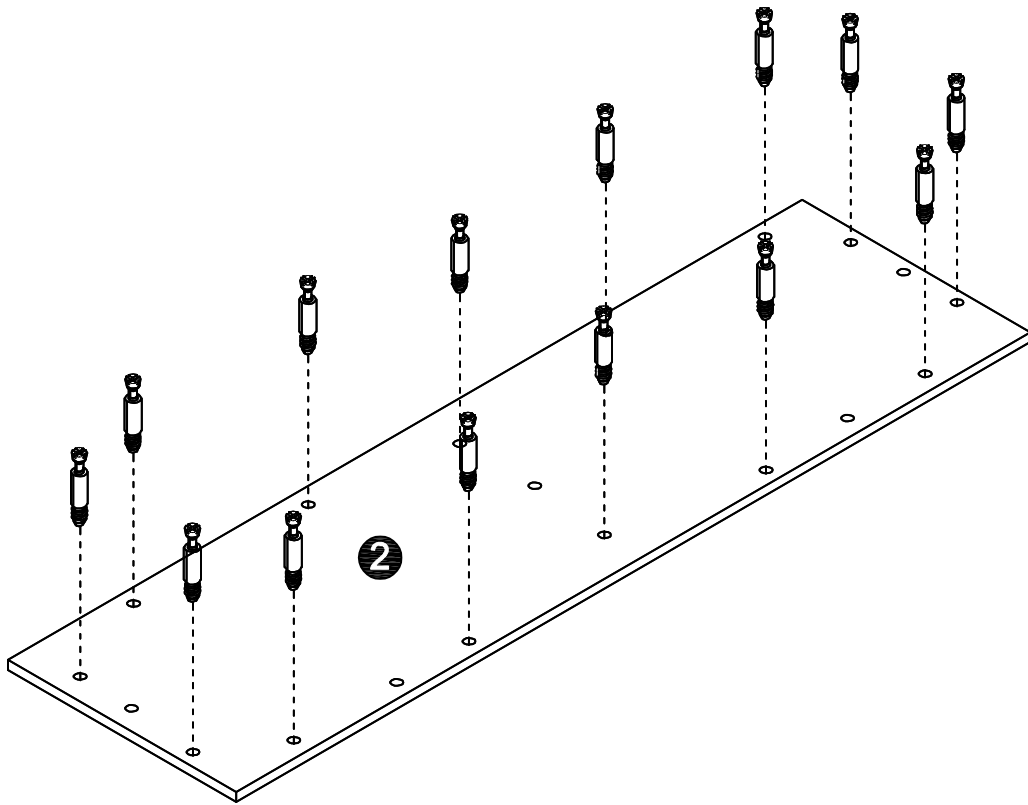
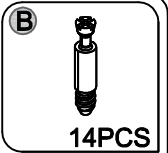
B
11PCS

Step 2

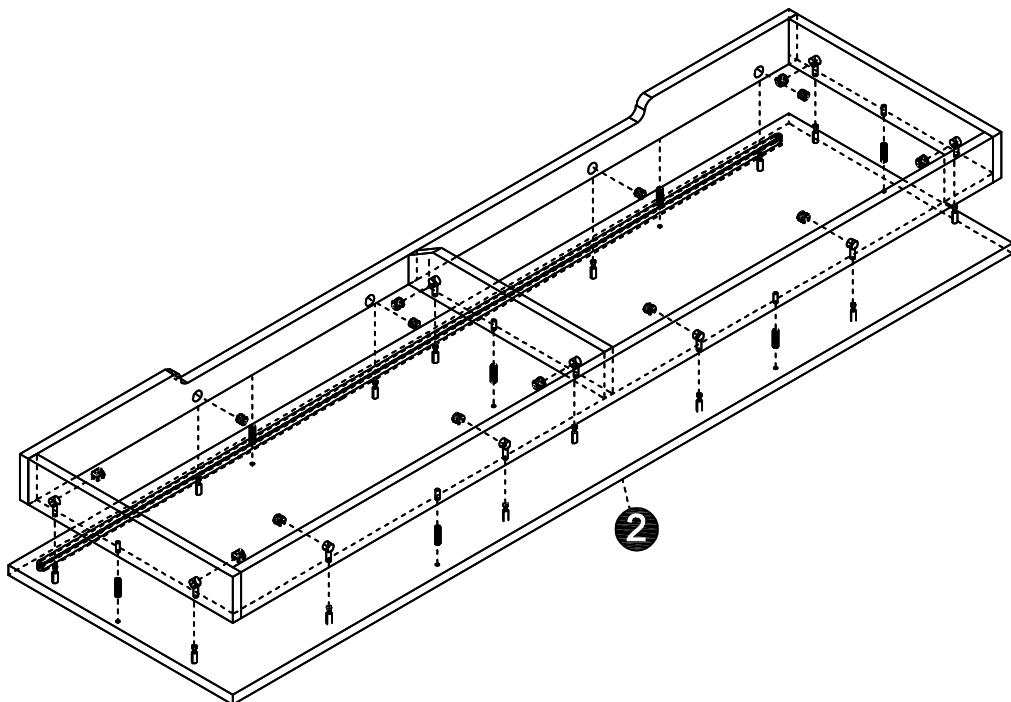
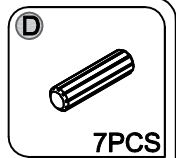
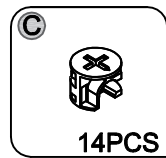


C
11PCS

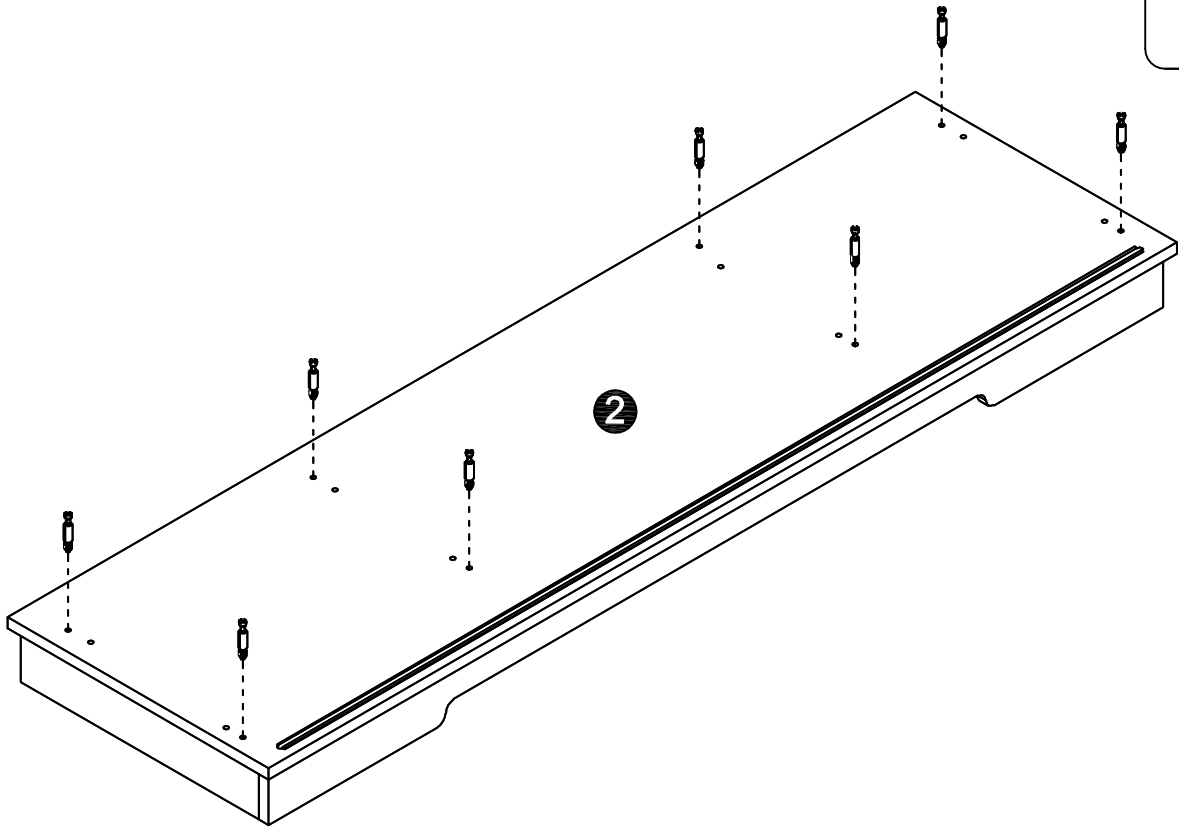
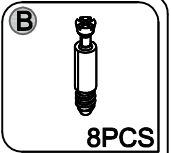
Step 3



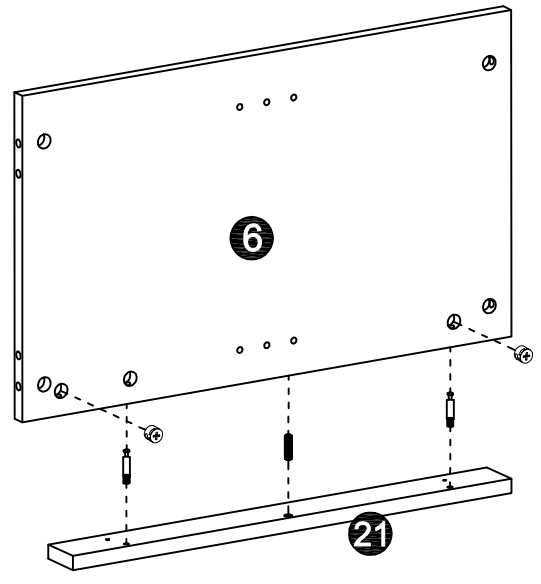
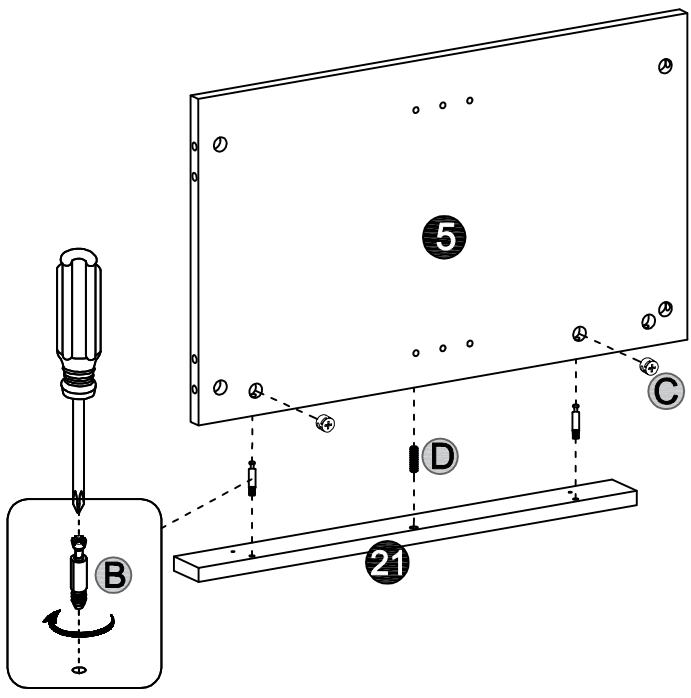
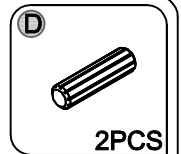
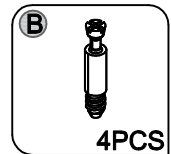
Step 4



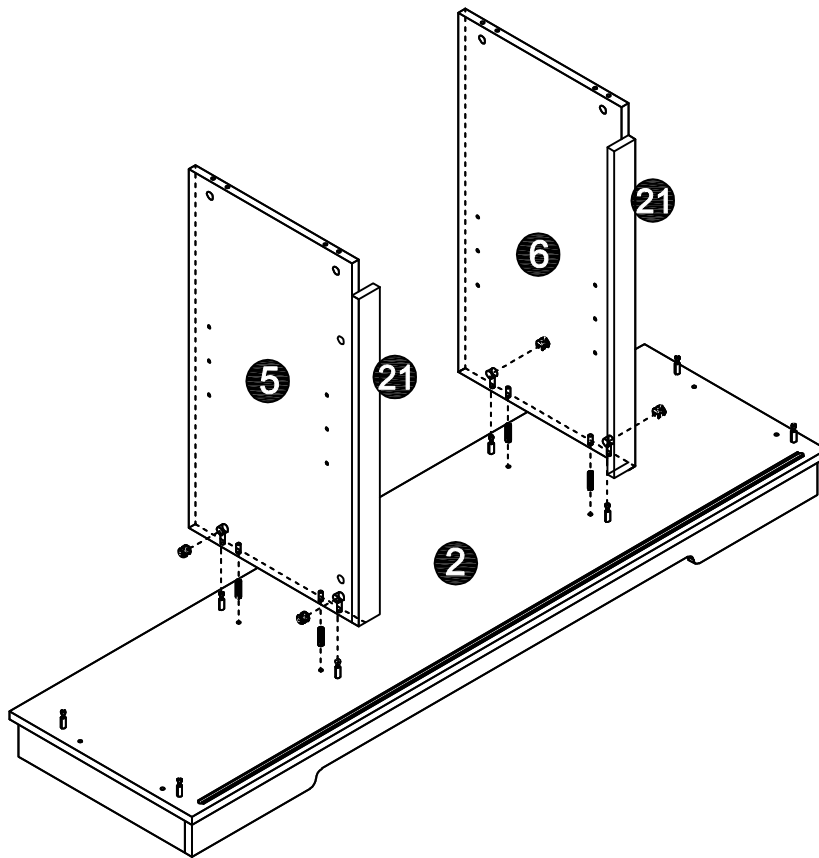
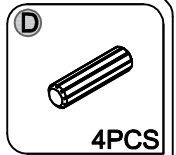
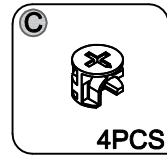
Step 5



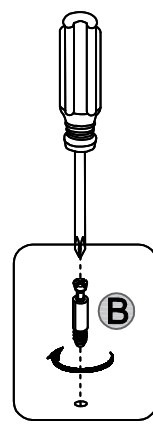
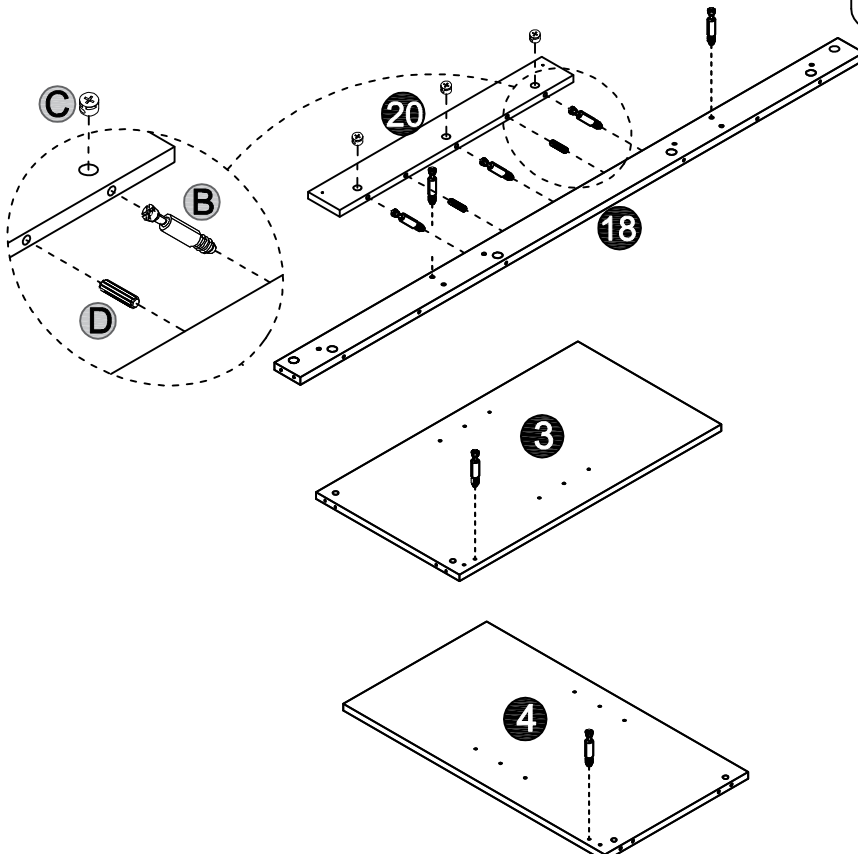
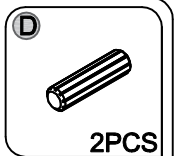
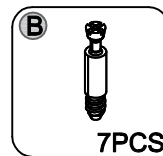
Step 6



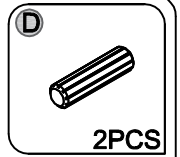
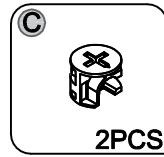
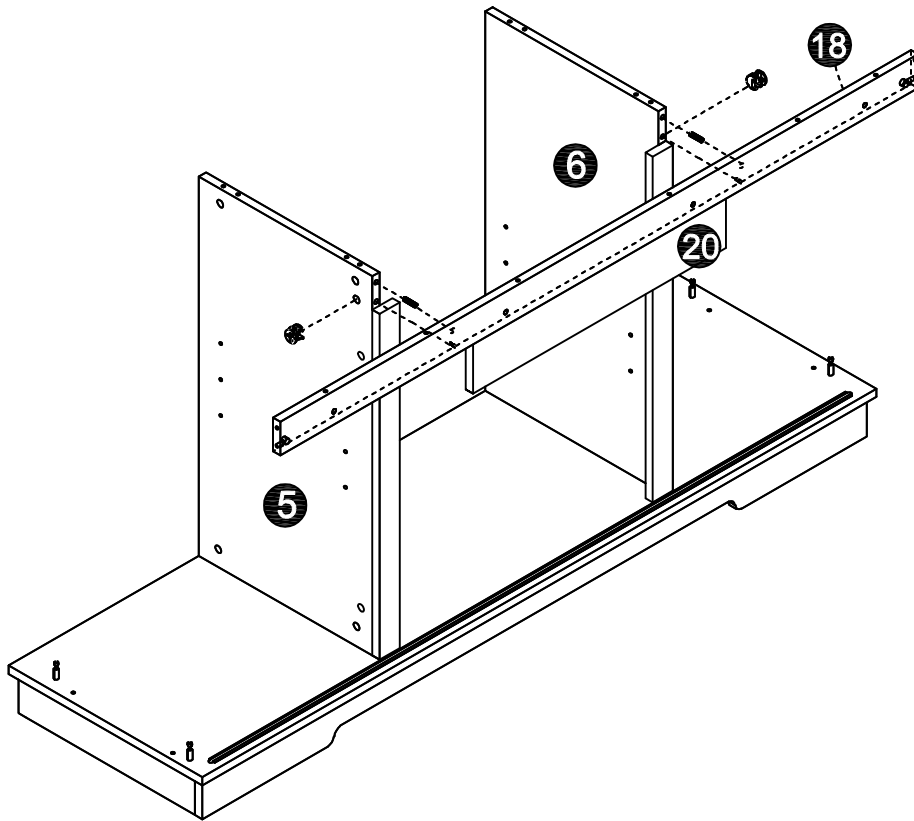
Step 7



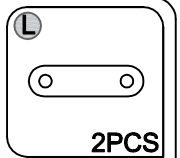
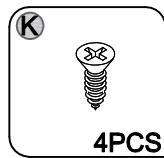
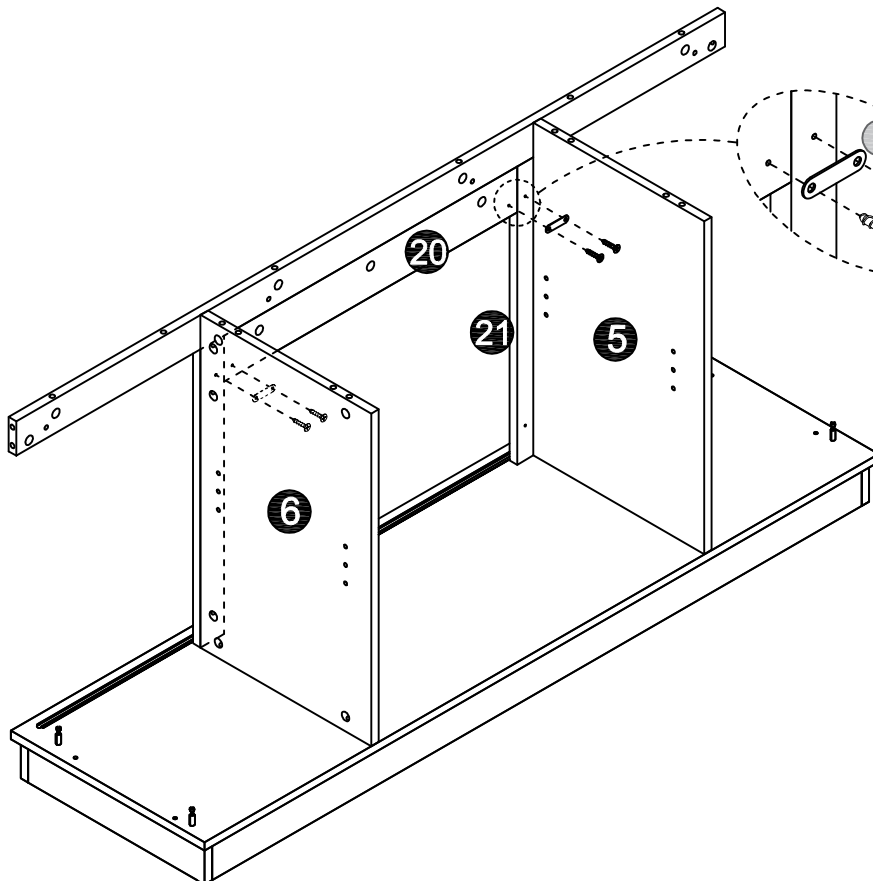
Step 8



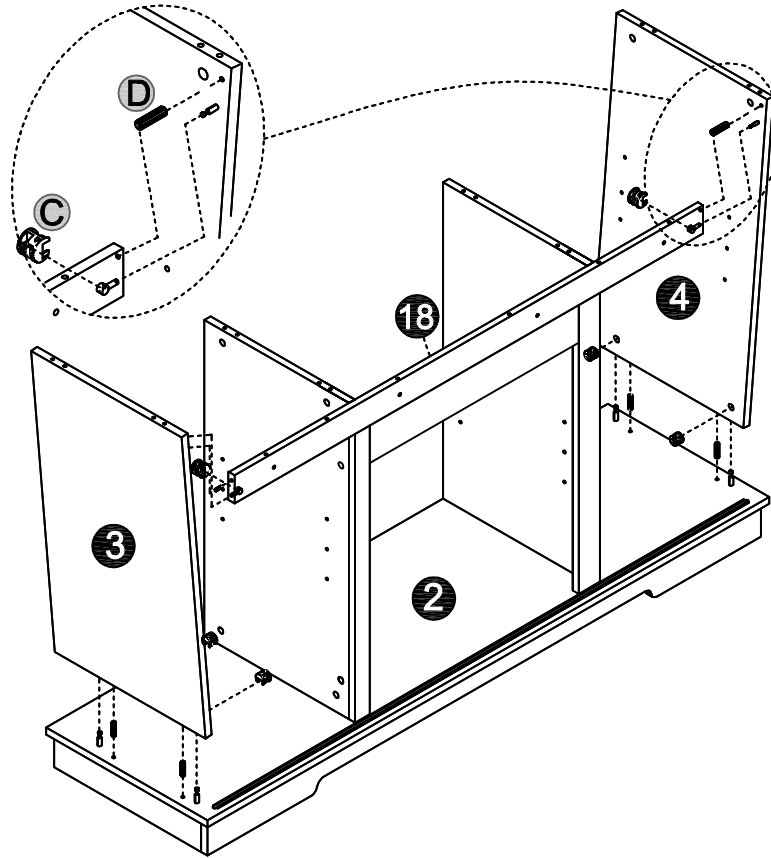
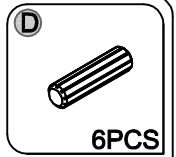
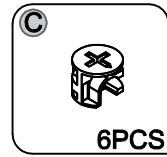
Step 9



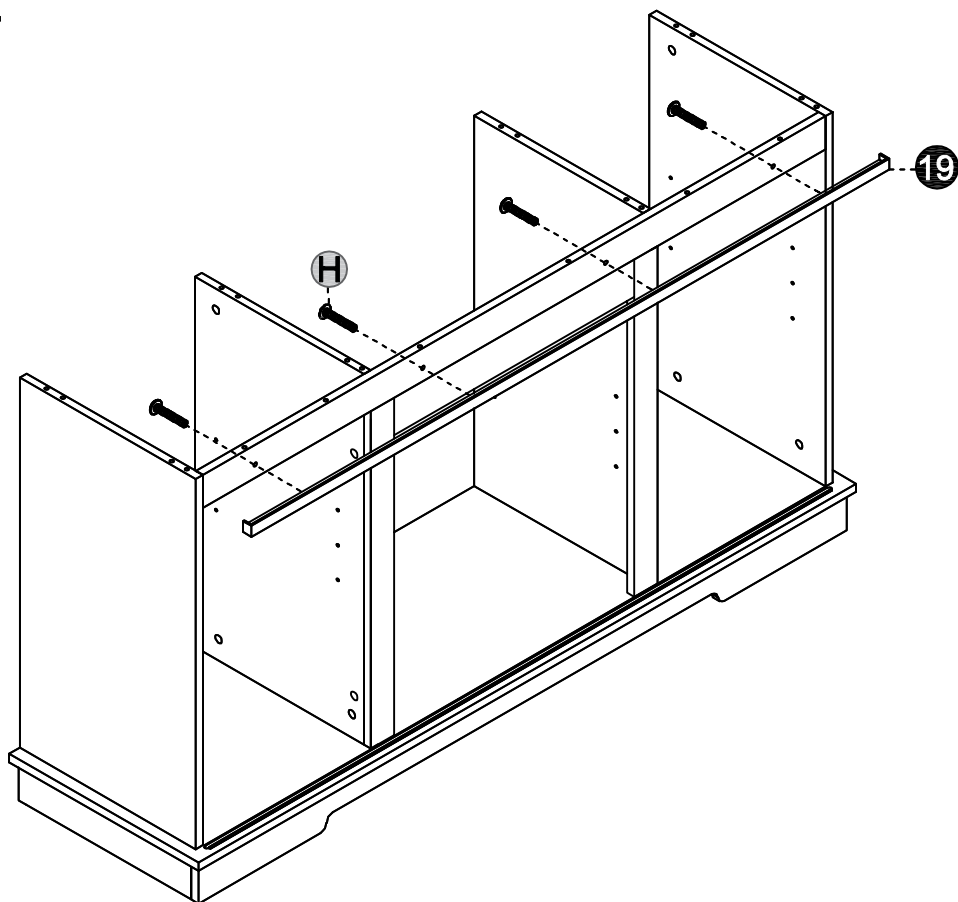
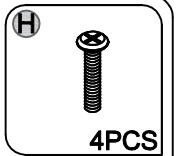
Step 10



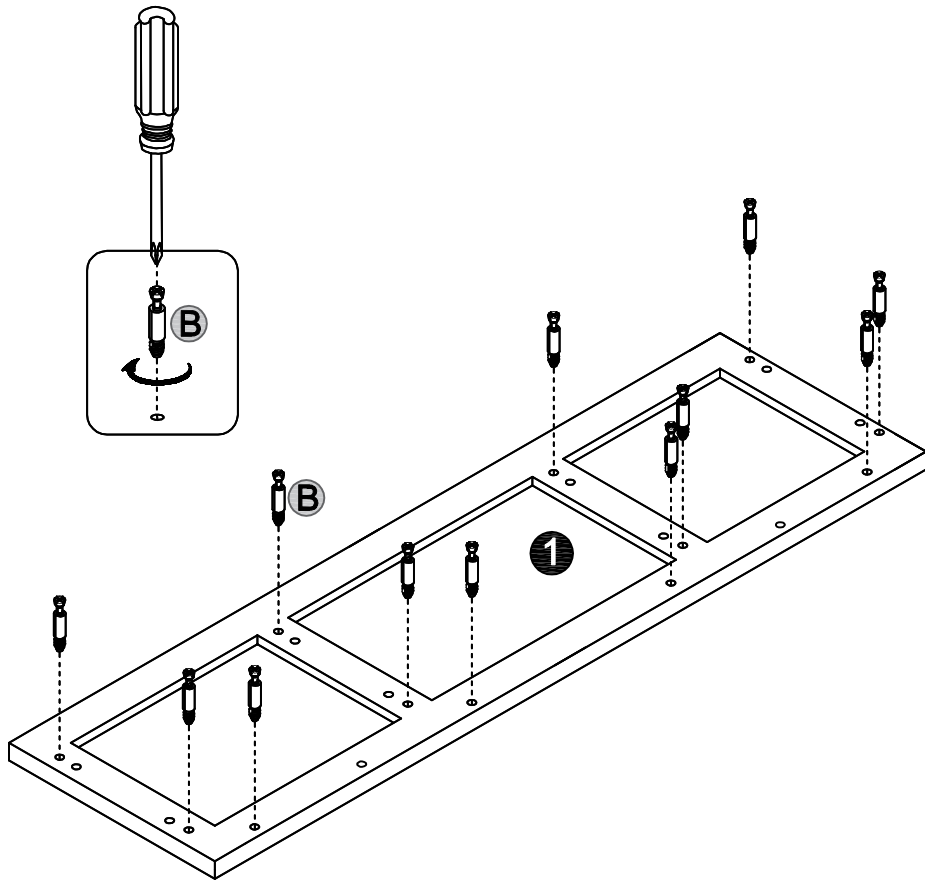
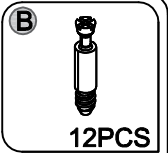
Step 11



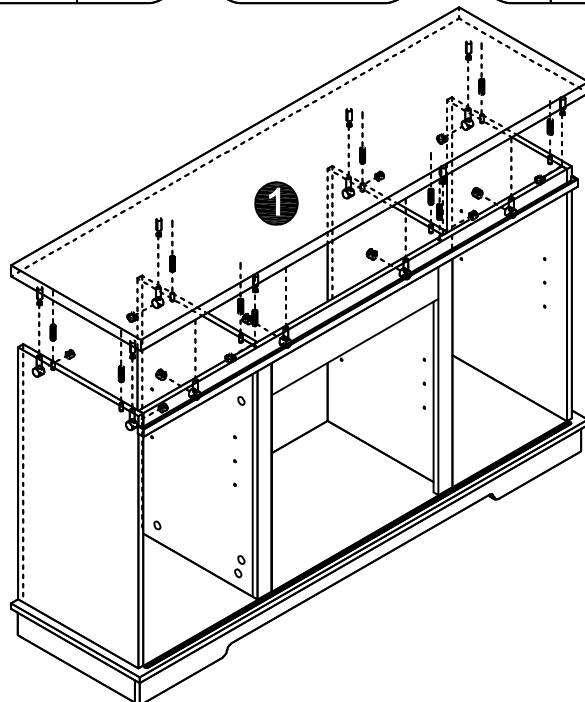
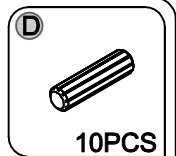
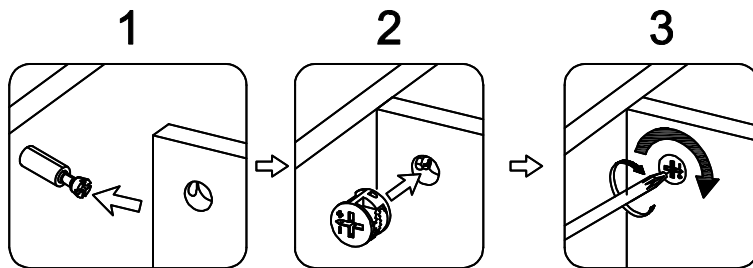
Step 12



Step 13



Step 14

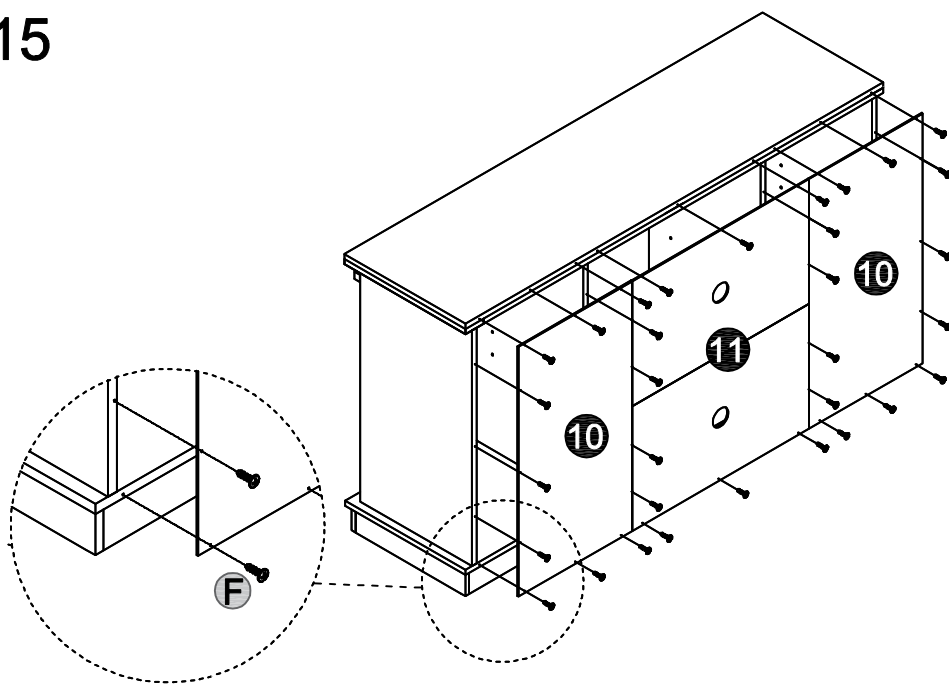


If you intended to use this product as a TV stand, continue the assembly instruction on page 11.

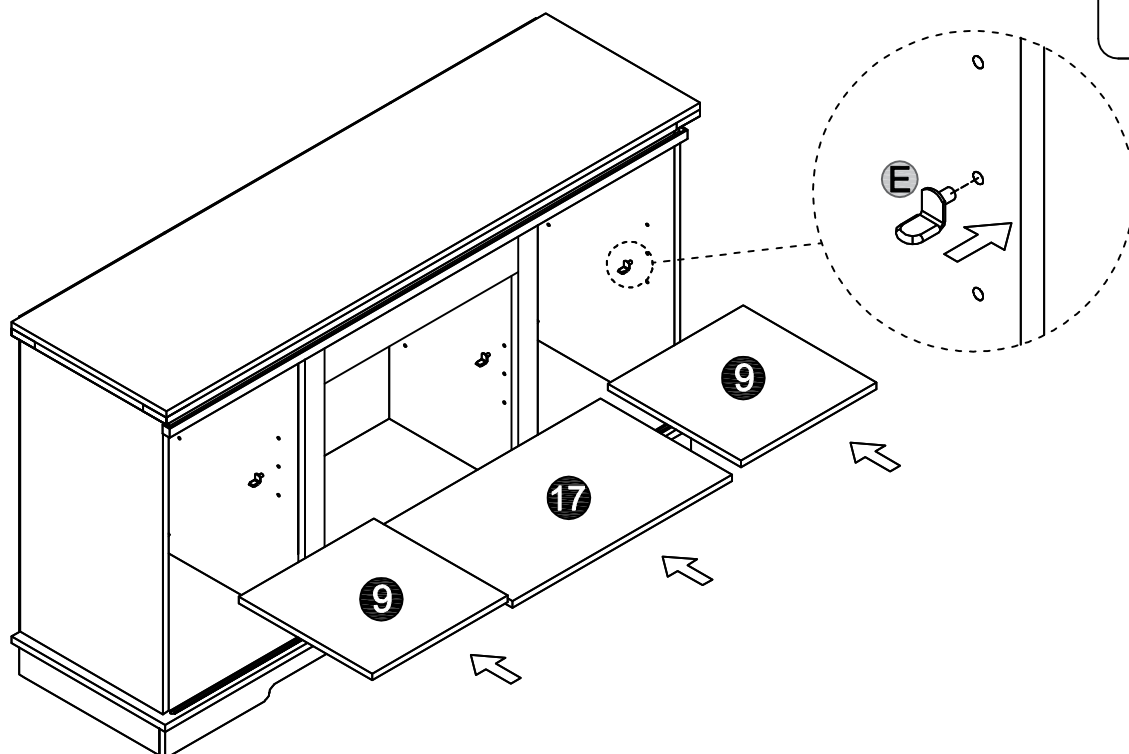
If you intended to use this product as a fireplace mantel, continue the assembly instruction on page 14.

TV STAND ASSEMBLY

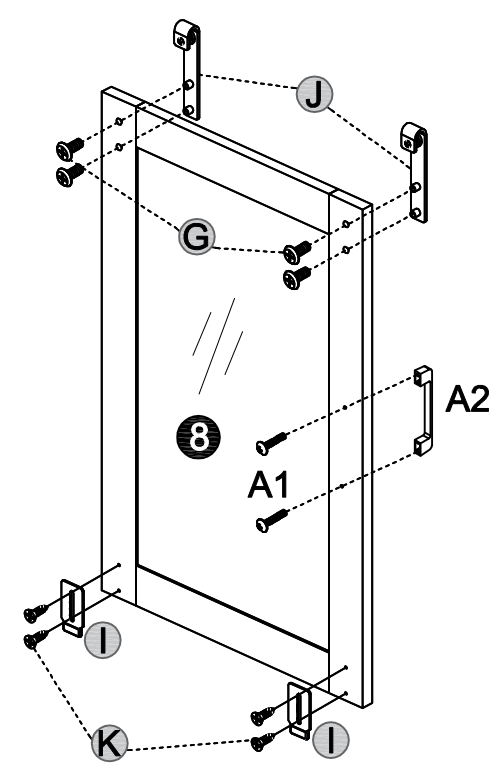
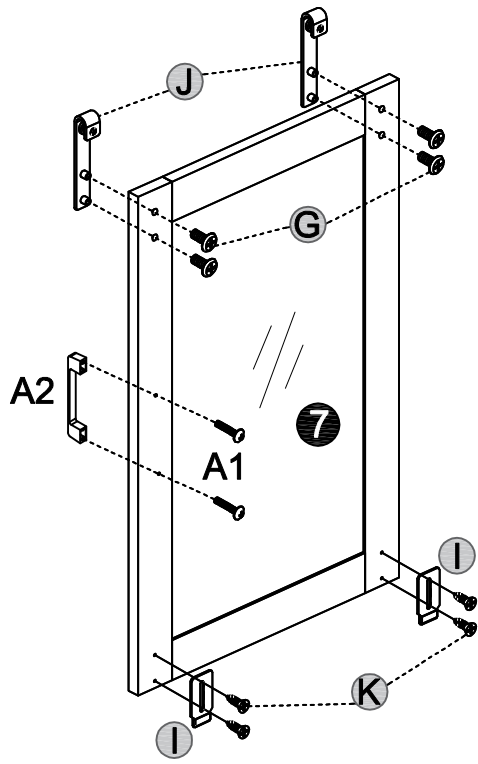
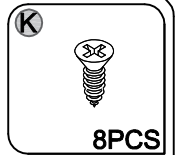
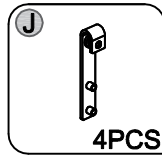
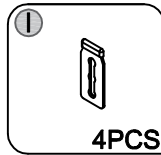
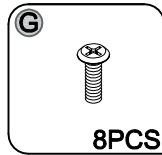
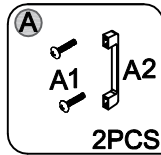
Step 15



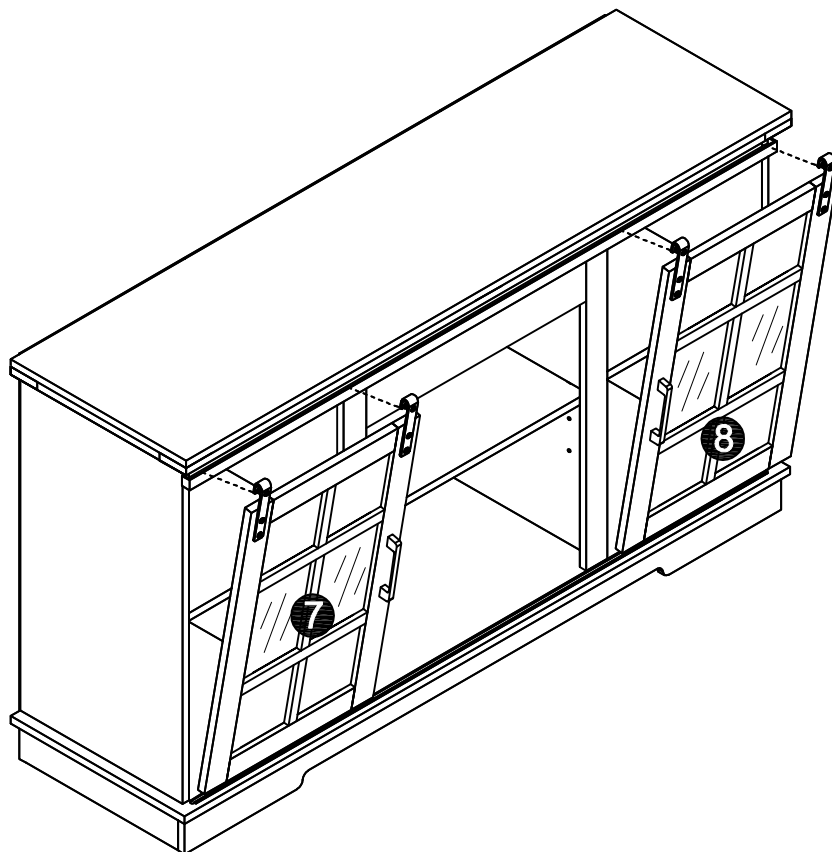
Step 16



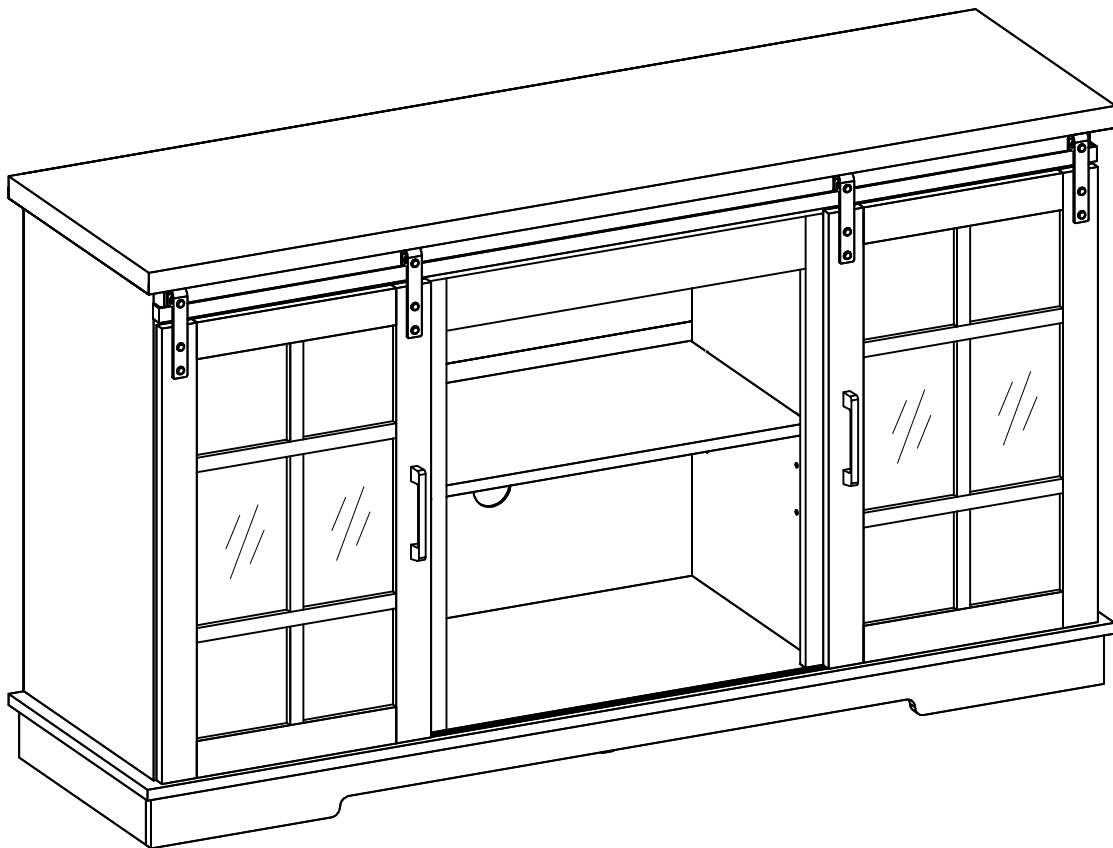
Step 17



Step 18



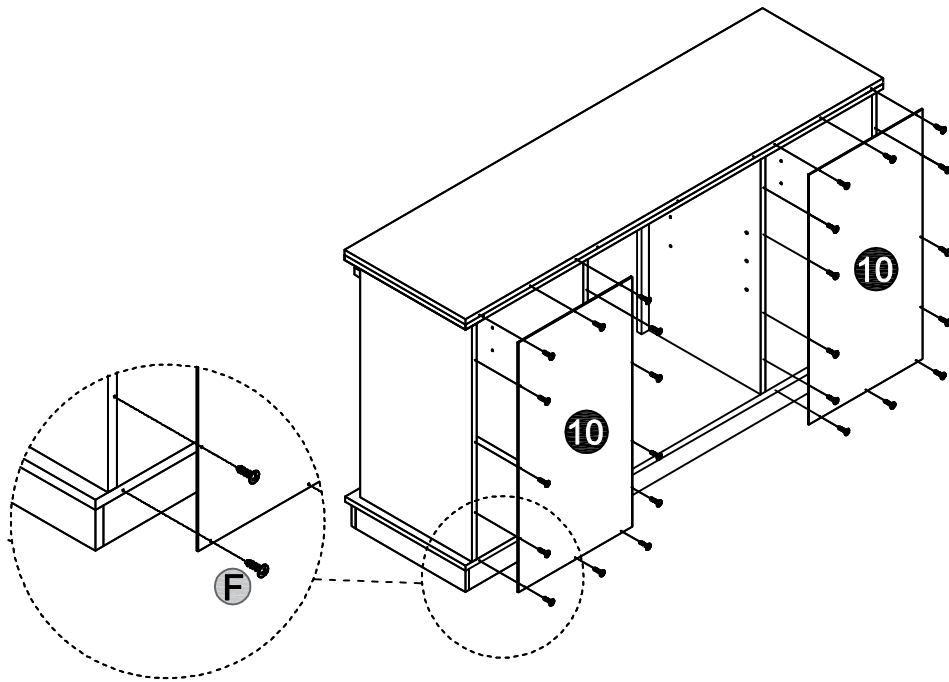
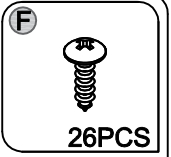
Step 19



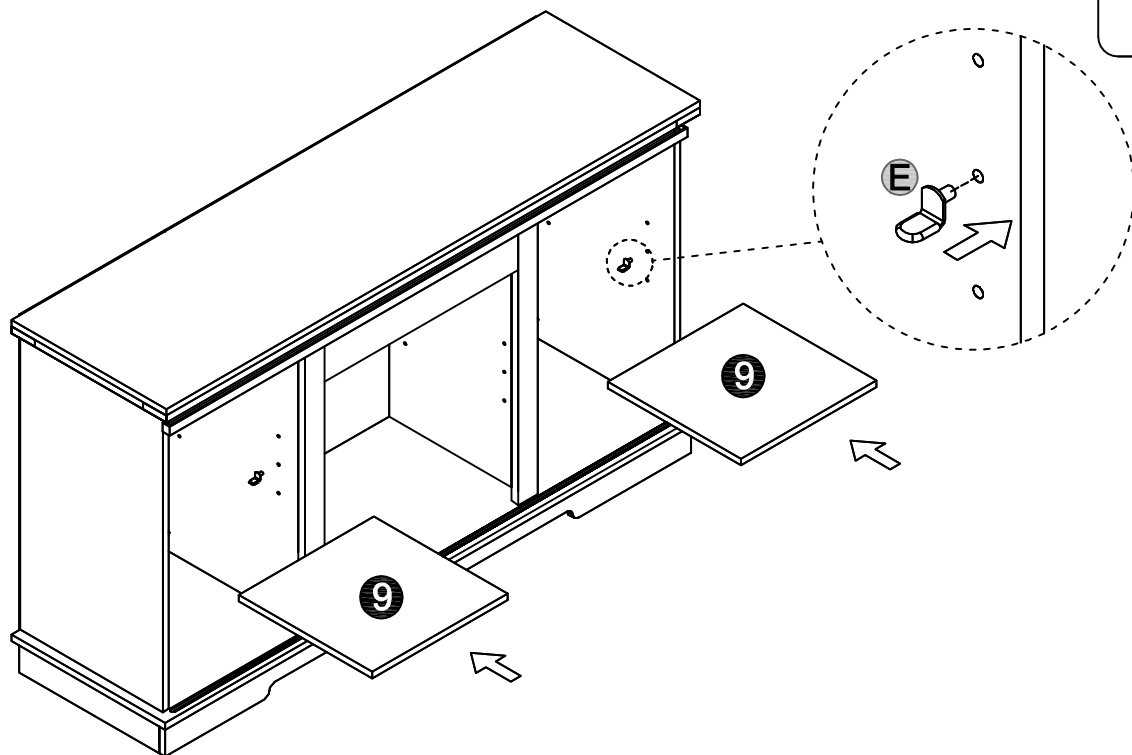
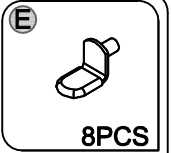
Note: Pls check and tighten all screws.

FIREPLACE MANTEL ASSEMBLY

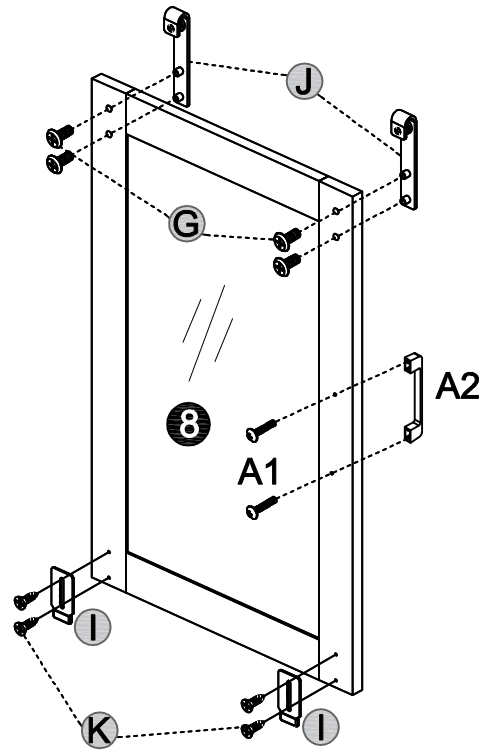
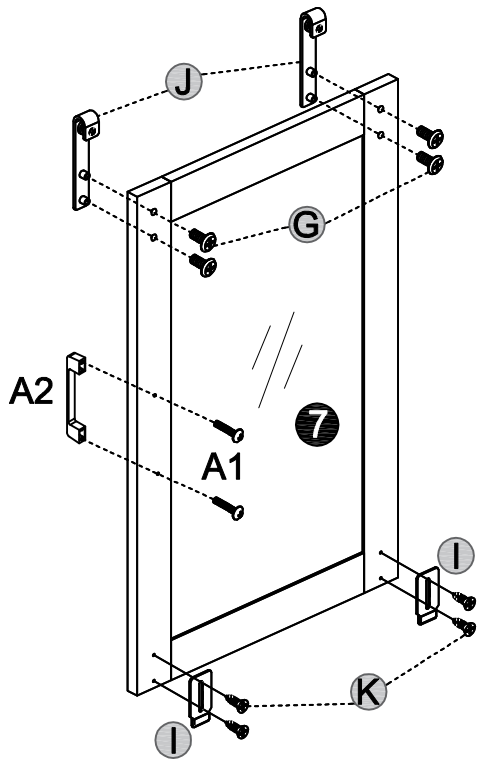
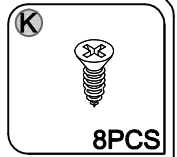
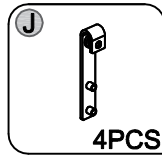
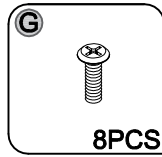
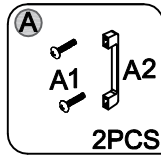
Step 15



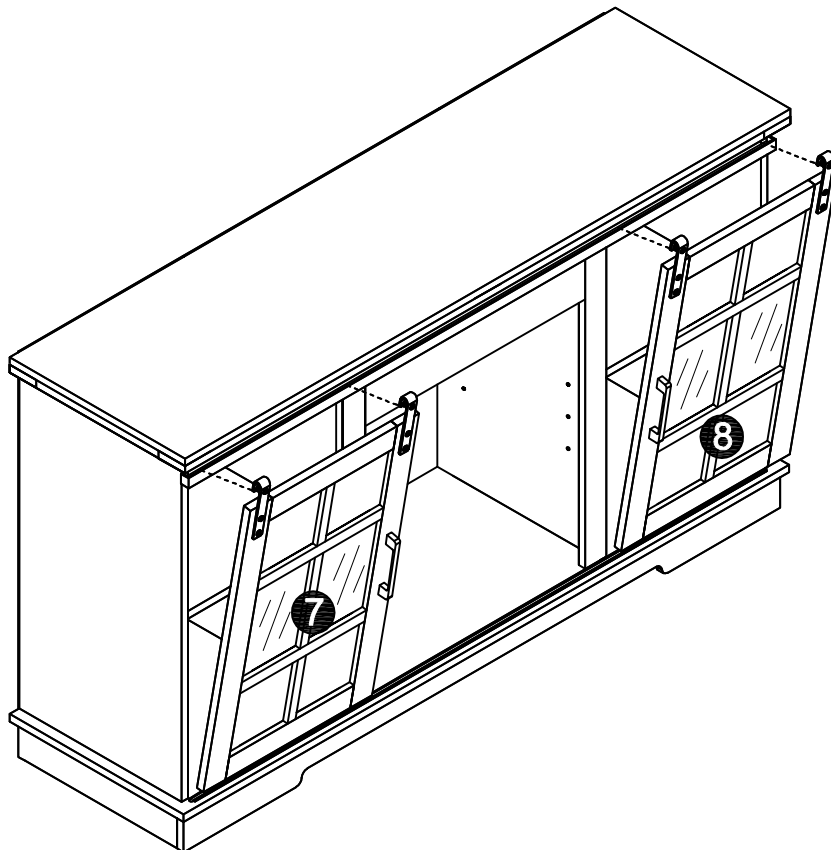
Step 16



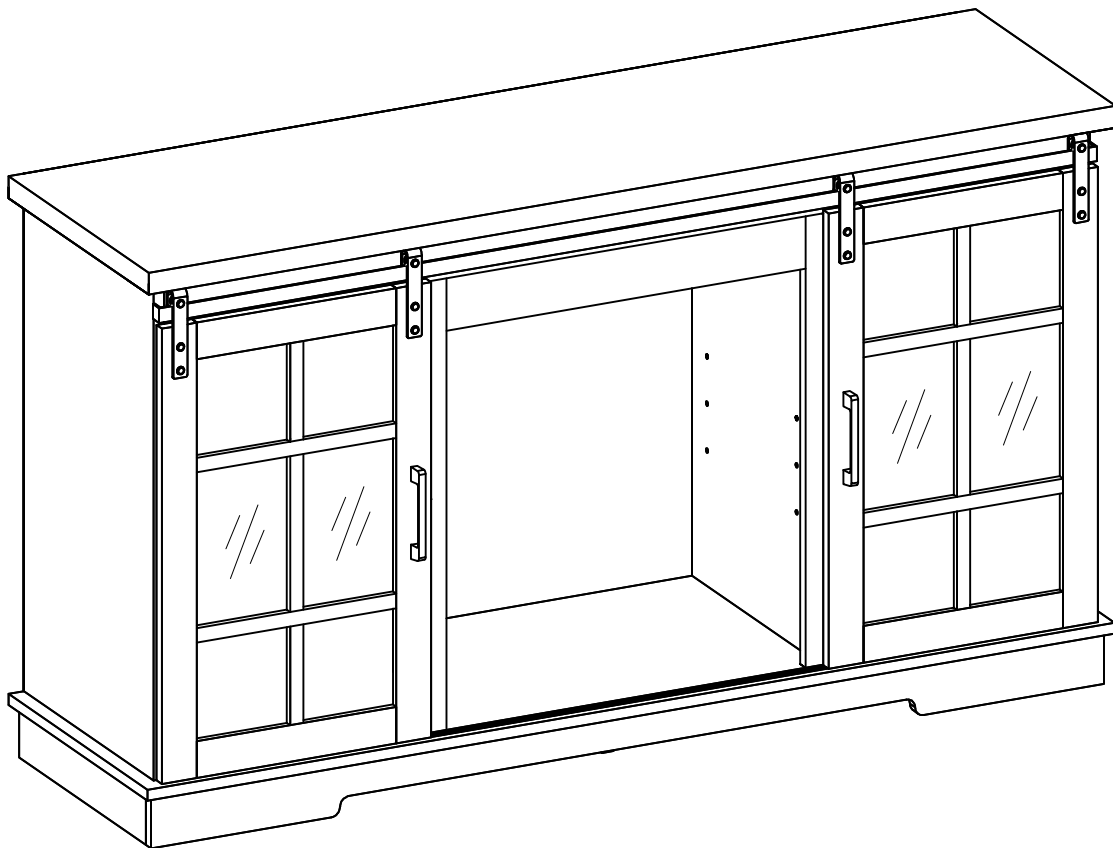
Step 17



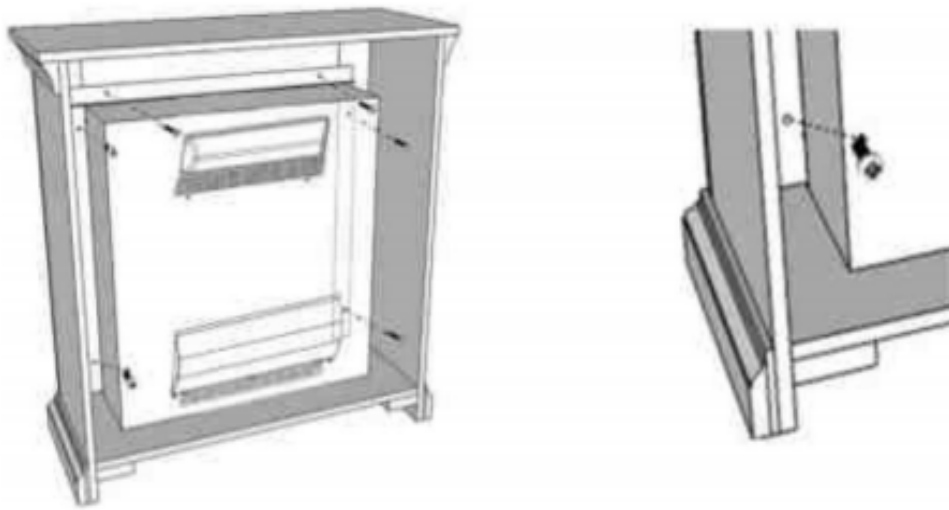
Step 18



Step 19



Note: Pls check and tighten all screws.



FIREPLACE INSTALLATION

If you decide to install the fireplace into the mantel, carefully set the unit from the back of the mantel and center it in the opening.

Check the alignment and attach the unit to the mantel by inserting screws through the drilled holes on the trim to the mantel.

NOTE: Do not attempt to install the unit from the front of the mantel. It will not fit.

IMPORTANT SAFETY INFORMATION

Please carefully read the instructions and caution warnings below before assembling the product. Following this guide will ensure that you install, use and maintain the product properly.

- Please keep this installation and user manual/instructions for future reference in case you need to assemble the product.
- Do not assemble if you notice serious damage such as cracks or bends.
- During installation, please use work gloves for hand safety.
- Please assemble the unit on carpeted floor or the flat cardboard box to avoid scratching the surface or your floor while assembling on the floor.
- To assemble, please use the complimentary installation tools (Allen Wrench). Pay more attention to the direction of components at each steps.
- It is recommended that two people work together to assemble the product.
- Please do not tighten the screws up too much, just to 80% before you finish to make the installation go on successfully.

HOW TO MAINTAIN YOUR PRODUCT:

- Check the screws of the product are not loose from regular use.
- Do not use sharp instruments, rubbing alcohol, corrosive chemicals, or abrasive cleaners to clean the product.
- Do not keep the product in a damp environment for a long period of time. The damp environment may cause the iron components to rust and the plates to bulge and crack.