

# Pacific Bay Limited Lifetime Warranty

Pacific Bay products have been manufactured under the highest standards of quality and workmanship. Pacific Bay warrants to the original purchaser for as long as the original purchaser owns their RV that this product will be leak- and drip-free during normal use, and that all parts and finishes of this product will be free from defects in material and manufacturing workmanship. Plated metal and plated plastic finishes are warranted for (1) year.

If the product should develop a leak or drip during the warranty period, Pacific Bay will, free of charge, provide the parts necessary to put the product back into good working condition by you. They may also replace any part or finish that proves defective in material and manufacturing workmanship, under normal installation, use and service, free of charge. Proof of purchase (original sales receipt) from the original purchaser must accompany all warranty claims. Defects or damages caused by the use of other products or parts is not covered by this warranty. If repair or replacement is not practical, Pacific Bay may elect to refund the purchase price in exchange for the return of the product.

This warranty covers replacement of all defective parts and finishes. However, damage due to product abuse, product misuse, installation error, or the use of cleaners containing alcohol, abrasives, or other solvents, whether performed by a contractor, service company, or yourself, will void this warranty. Pacific Bay will not be responsible for labor charges and/or damages incurred in installation, repair or replacement, nor any indirect, incidental or consequential damages, losses, or injury costs of any nature relating to this product. Except as provided by law, this warranty is in lieu of and excludes all other warranties, conditions and guarantees, whether expressed or implied, statutory or otherwise, including without restriction those of merchantability or of fitness for use.

Pacific Bay will advise you on how to proceed in making warranty claims. To begin a warranty claim, write to Pacific Bay explaining the defect and include proof of purchase and your name, address and telephone number. Email is [info@pacificbayfaucets.com](mailto:info@pacificbayfaucets.com).

\* Never use cleaners containing abrasive cleansers, ammonia, bleach, acids, waxes, alcohol, solvents or other products not recommended for plated metal or plastic finishes. This will void the warranty.

19215 SE 34<sup>th</sup> St. Ste. 106-382  
Camas, WA 98607



## INSTALLATION MANUAL Treviso Roman Tub Faucet PB-RT01



## INSTALLATION OF THE FAUCET

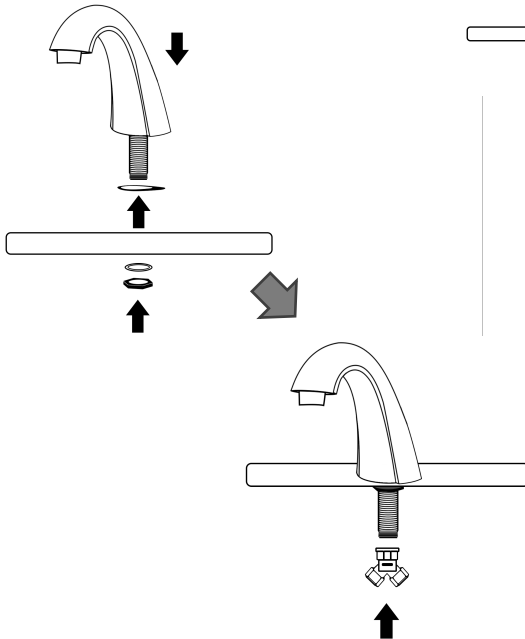
### 1 Prepare for Installation

Drill a 7/8" diameter center hole into the mounting surface for the spout shank and two 1-3/16" diameter holes 4" to either side of the center hole for each valve body. **(NOTE: If the sink surface is uneven or irregular, plumber's putty or a silicone sealant may be used to create a watertight seal. Plumber's putty may have an adverse effect on some cultured marble or natural stone. In these cases, a high quality silicone sealant may be used.)**

### 2 Install Faucet

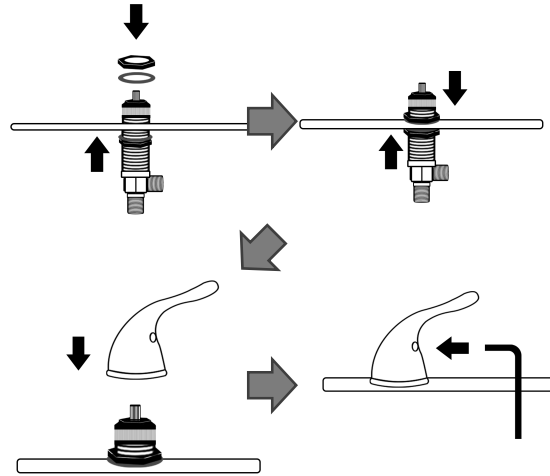
Install the spout assembly through the center hole of the counter with the rubber washer on top and metal washer and locknut underneath. Hand tighten locknut.

Attach the Y adapter to the hose connections by threading it onto the end of the spout post. The Y adapter does not need to be wrench-tight. The adapter will not leak if it is slightly loose due to the double o-ring design.



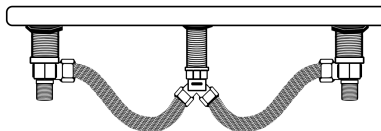
### 3 Install Handles

Adjust the lower nut and washer on the stem assembly by turning clockwise to lower. Install the stem assembly by inserting it through the hole from underneath the sink. Secure it in place by slipping the o-ring over the top portion and threading the brass locknut onto the top of the stem assembly. Once done, tighten both sides. To install handles, unscrew the bolt in the handle slightly, push the handle onto the stem assembly and secure by retightening the bolt. Snap on hot and cold water indicators once secure.



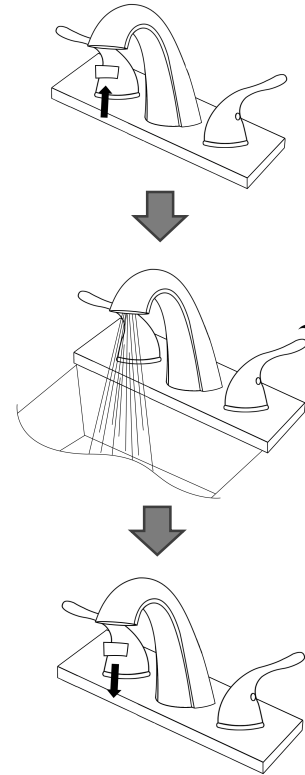
### 4 Attach Flexible Supply Hoses

Attach the flexible supply hoses to the Y-adaptor to the stem assembly water outlets. Make sure the rubber washers are in place in the brass hose fittings before attaching them. Tighten the hose fittings with a wrench.



### 5 Remove Aerator and Flush

Once installation of hoses is complete, remove the aerator. Turn the water supply on and allow both hot and cold water to run for 30 to 60 seconds. While water is running, check for leaks around and under the sink. Once done replace aerator. Your Pacific Bay faucet is ready to use.



## MAINTENANCE AND CLEANING

**Cleaning Tips:** The finish on your product is designed to retain its beautiful sheen for years. To maintain the original look of the finish, a little care and caution should be used. We recommend the use of mild soap and water to clean the product.

**THE USE OF ABRASIVE CLEANERS MAY SCRATCH THE FINISH OR CAUSE OTHER DAMAGE.**

## RECOMMENDED TOOLS AND MATERIALS

- ◆ Adjustable Wrench
- ◆ Plumbers Tape (Thread Seal Tape)
- ◆ Plumber's Putty or Silicone Sealant

## BEFORE YOU BEGIN

There are a variety of things to do before installing any new plumbing system into your home or residence. Before you begin work make sure you:

- ◆ Shut off the main water supply
- ◆ Cover your drain to prevent loss of parts
- ◆ Observed any local plumbing codes
- ◆ Inspect fixture for damage - Replace as necessary

Pacific Bay reserves the right to make any revisions in the design of products without notice.