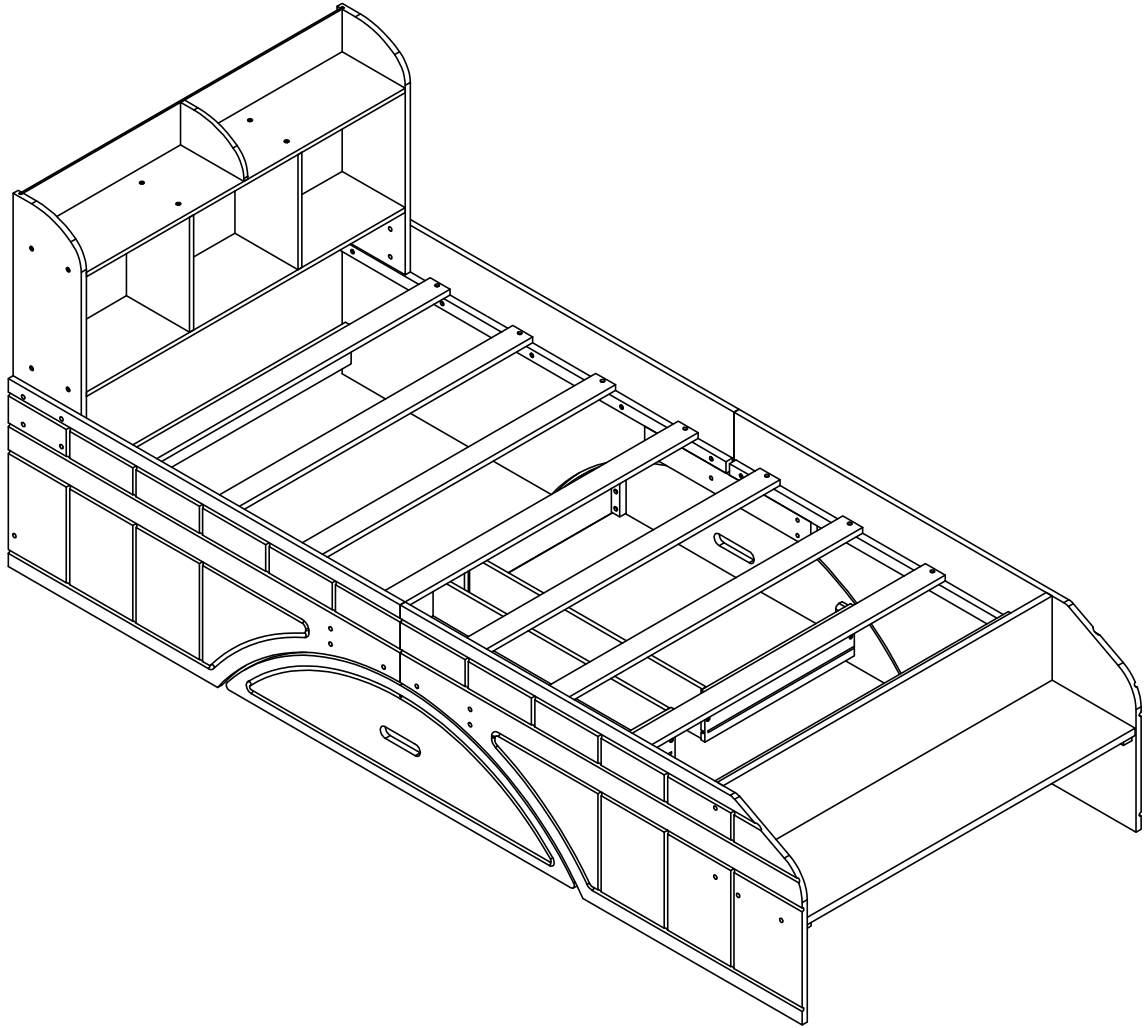
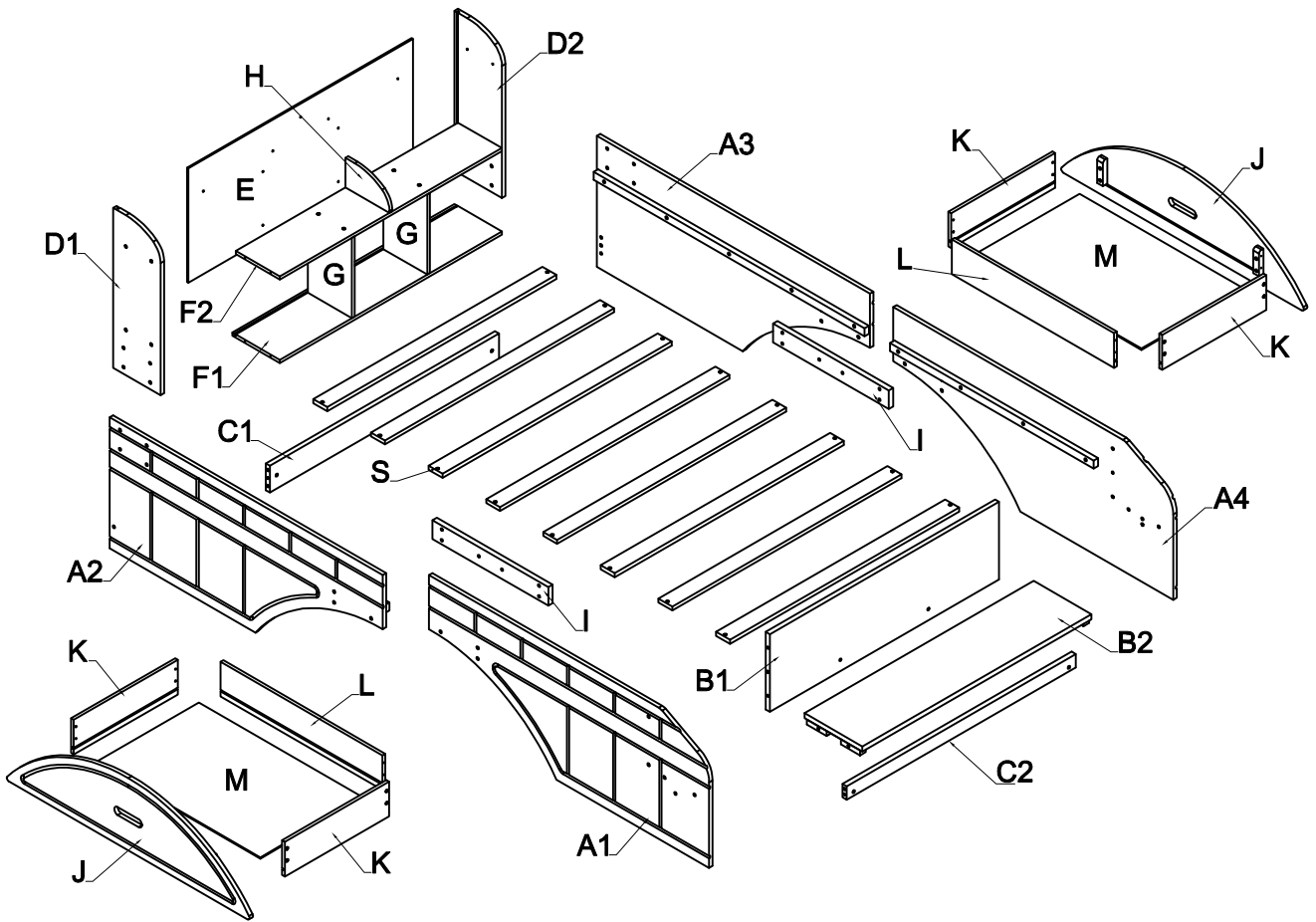


ASSEMBLY INSTRUCTIONS

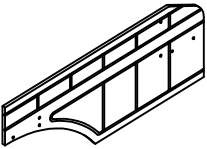
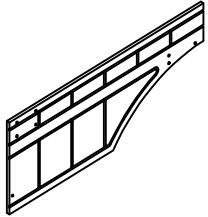
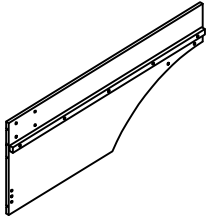
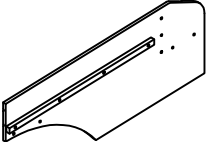
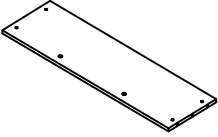
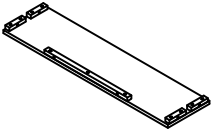
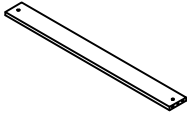
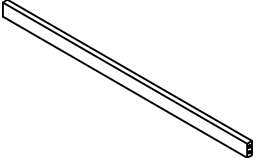
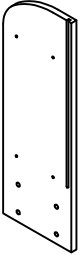
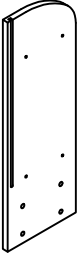
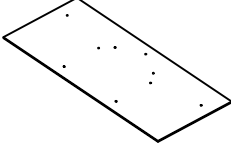
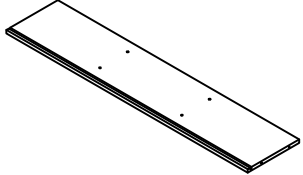
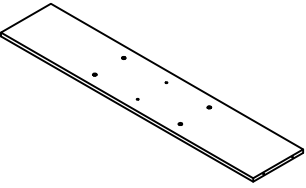

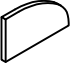
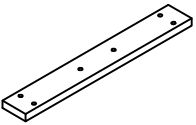
ITEM CODE: WF313560



DETAIL VIEW

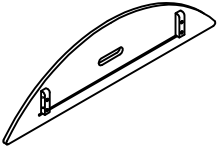


BOX : WF313560

<p>A1</p>  <p>Left side rail - front - (1pc)</p>	<p>A2</p>  <p>Left side rail - back - (1pc)</p>	<p>A3</p>  <p>Right side rail - back - (1pc)</p>	<p>A4</p>  <p>Right side rail - front - (1pc)</p>
<p>B1</p>  <p>Front panel - (1pc)</p>	<p>B2</p>  <p>Front seat - (1pc)</p>	<p>C1</p>  <p>Horizontal rail - (1pc)</p>	<p>C2</p>  <p>Horizontal Bar - (1pc)</p>
<p>D1</p>  <p>Left panel of shelf - (1pc)</p>	<p>D2</p>  <p>Right panel of shelf - (1pc)</p>	<p>E</p>  <p>Back Panel - (1pc)</p>	<p>F1</p>  <p>Bottom shelf - (1pc)</p>
<p>F2</p>  <p>Middle shelf - (1pc)</p>	<p>G</p>  <p>Partition lower - (2pcs)</p>	<p>H</p>  <p>Partition upper - (1pc)</p>	<p>I</p>  <p>Support side rail-(2pcs)</p>

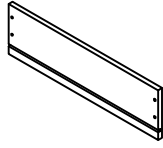
BOX : WF313560

J



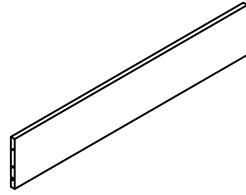
Front drawer - (2pcs)

K



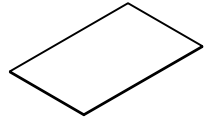
Side drawer - (4pcs)

L



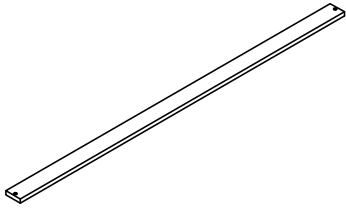
Back drawer- (2pcs)

M




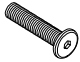
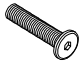
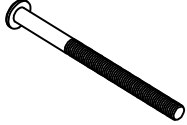

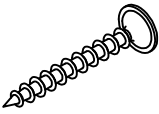
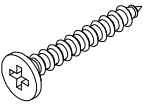
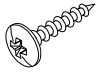

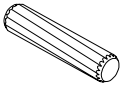
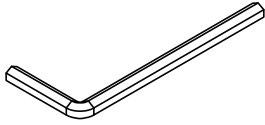
Bottom drawer - (2pcs)

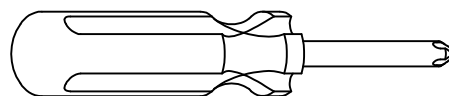
S



Slats - (8pcs)

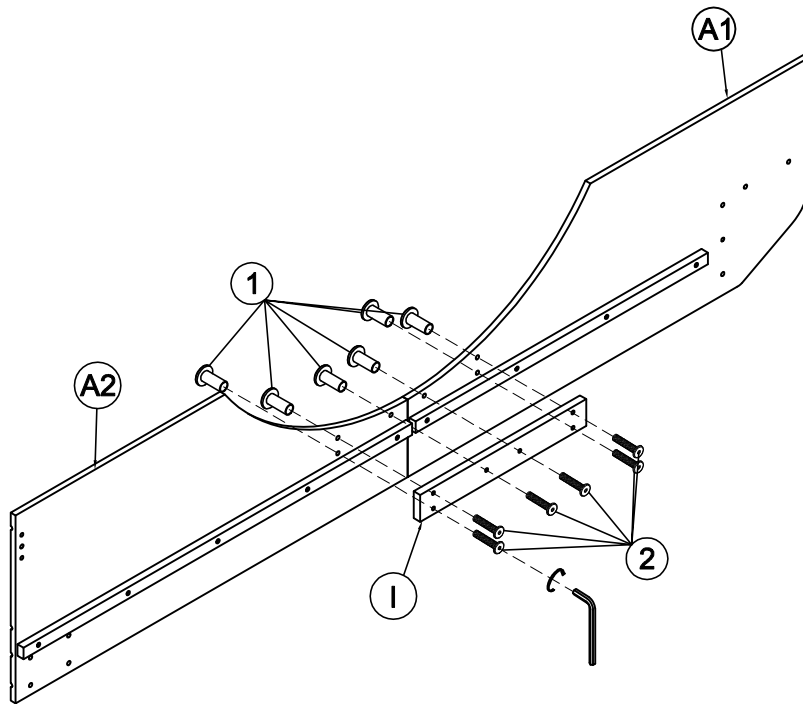
HARDWARE LIST: WF313560

<p>1</p>  <p>Canopy head though Ø1/4" - 20pcs</p>	<p>2</p>  <p>Hex - Head bolts Ø1/4" * 25 - 20pcs</p>	<p>3</p>  <p>Hex - Head bolts Ø1/4" * 35 - 6pcs</p>	<p>4</p>  <p>Hex - Head bolts Ø1/4" * 60 - 8pcs</p>
<p>5</p>  <p>Horizontal - Hold bolts Ø1/4" - 8pcs</p>	<p>6</p>  <p>Wood crews M4 * 30 - 8pcs</p>	<p>7</p>  <p>Wood crews M4 * 25 - 42pcs</p>	<p>8</p>  <p>Round wood crews M3.5 * 15 - 25pcs</p>
<p>9</p>  <p>Wheel 8pcs</p>	<p>10</p>  <p>Wood dowel Ø8 * 30 - 8pcs</p>	<p>11</p>  <p>Allen key K4 - 2pcs</p>	



Assembly Tools Required (Not Included)

STEP 1



1



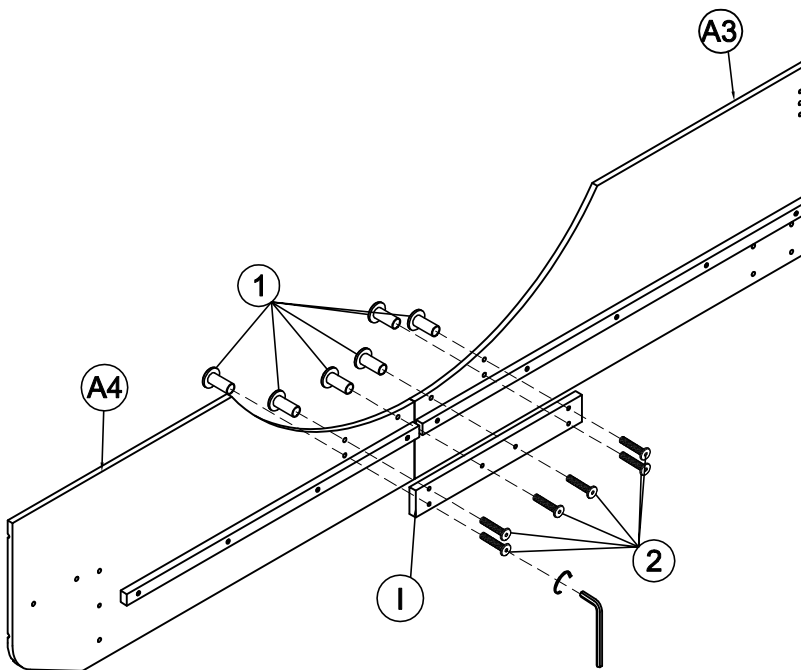
Canopy head through
Ø1/4" - 6pcs

2



Hex - Head bolts
Ø1/4" * 25 - 6pcs

STEP 2



1



Canopy head through
Ø1/4" - 6pcs

2



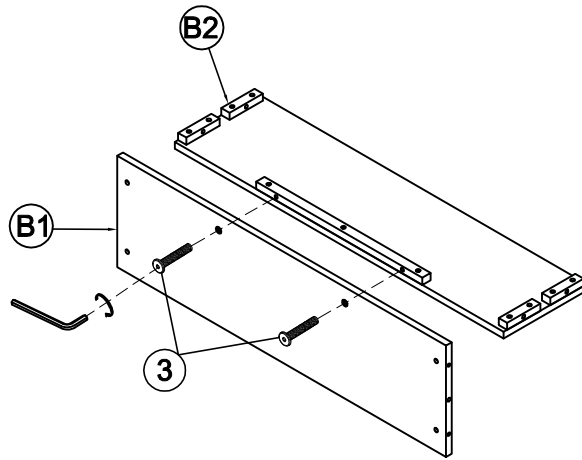
Hex - Head bolts
Ø1/4" * 25 - 6pcs

STEP 3

3



Hex - Head bolts
Ø1/4" * 35 - 2pcs



STEP 4

10



Wood dowel
Ø8 * 30 - 4pcs

4



Hex - Head bolts
Ø1/4" * 60 - 4pcs

5

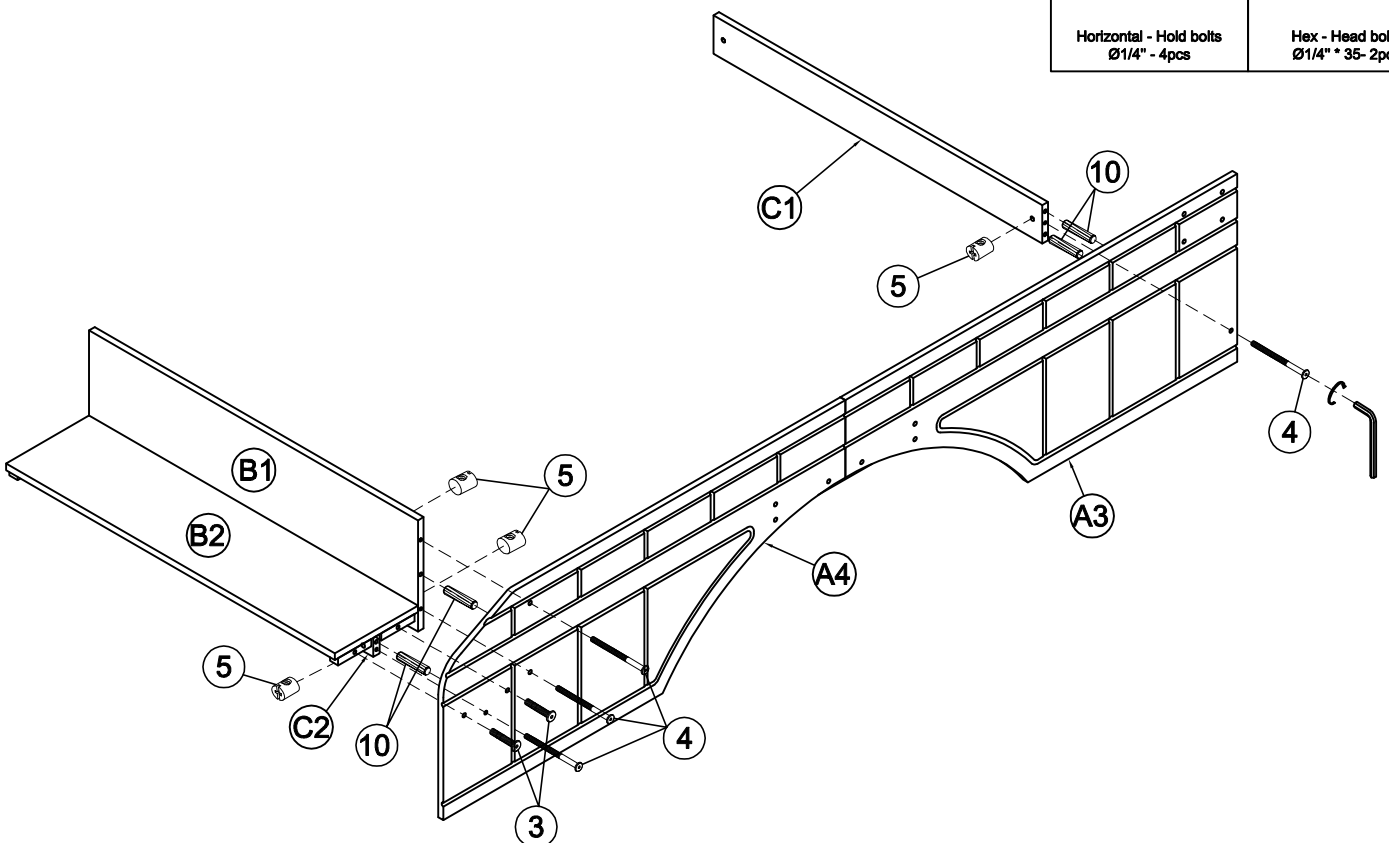


Horizontal - Hold bolts
Ø1/4" - 4pcs

3



Hex - Head bolts
Ø1/4" * 35 - 2pcs



STEP 5

10



Wood dowel
Ø8 * 30 - 4pcs

4



Hex - Head bolts
Ø1/4" * 60 - 4pcs

5

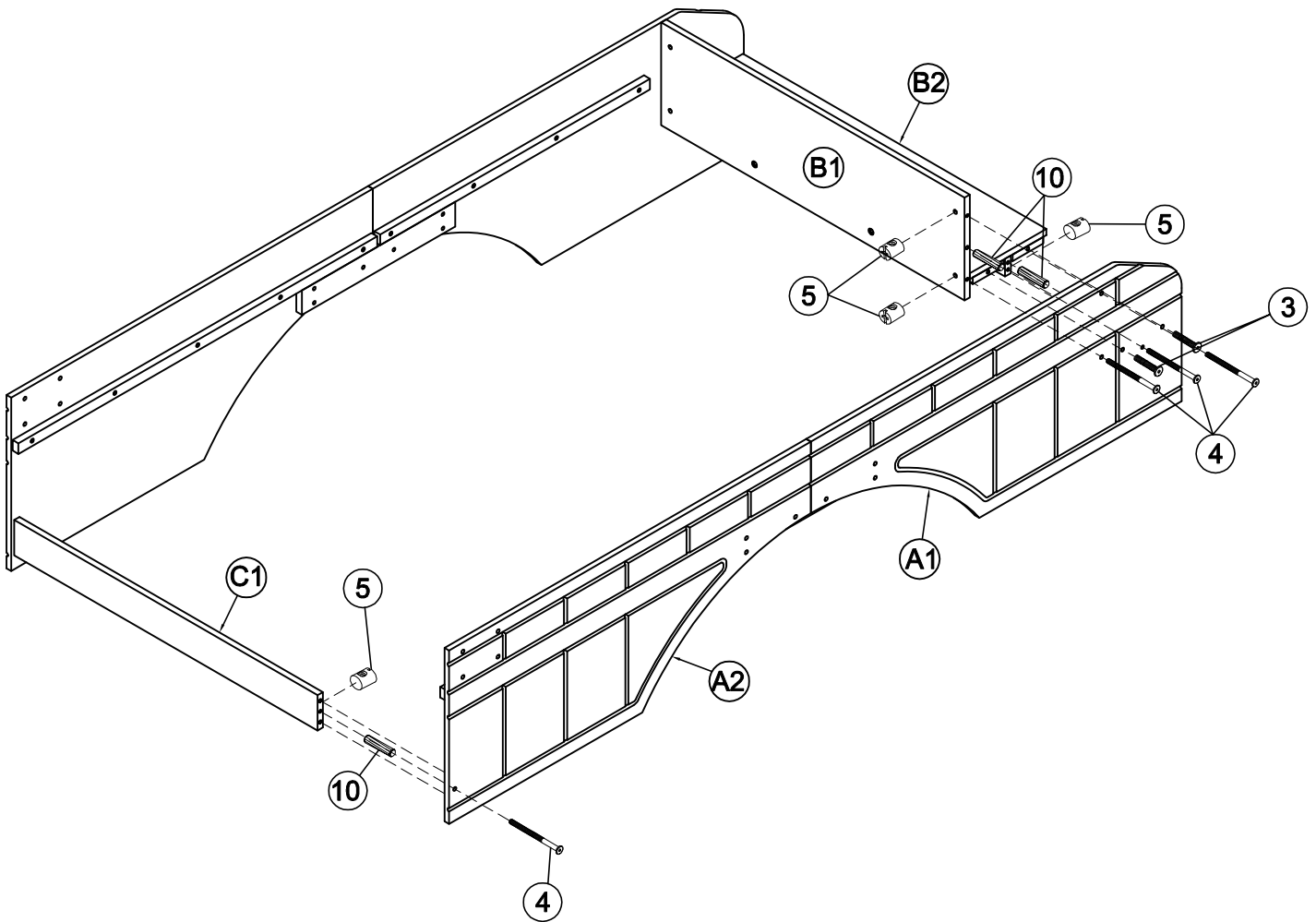


Horizontal - Hold bolts
Ø1/4" - 4pcs

3



Hex - Head bolts
Ø1/4" * 35 - 2pcs

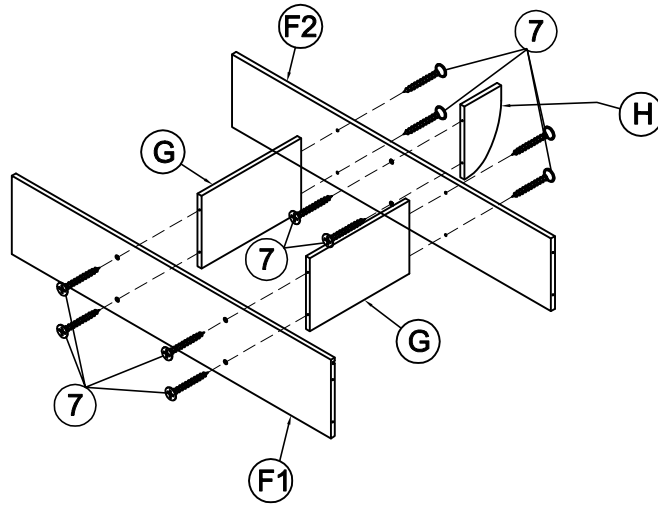


STEP 6

7



Wood crews
M4 * 25 - 10pcs

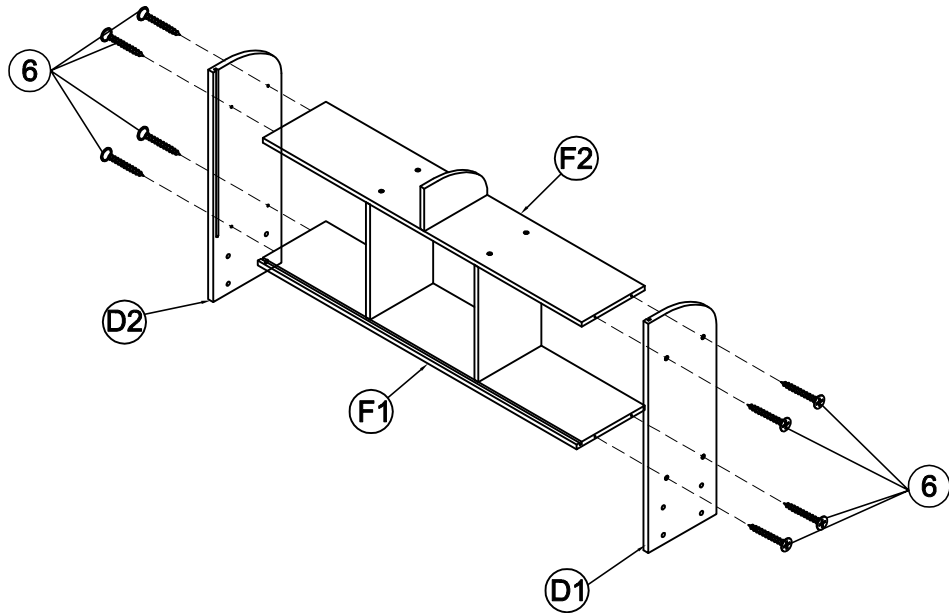


STEP 7

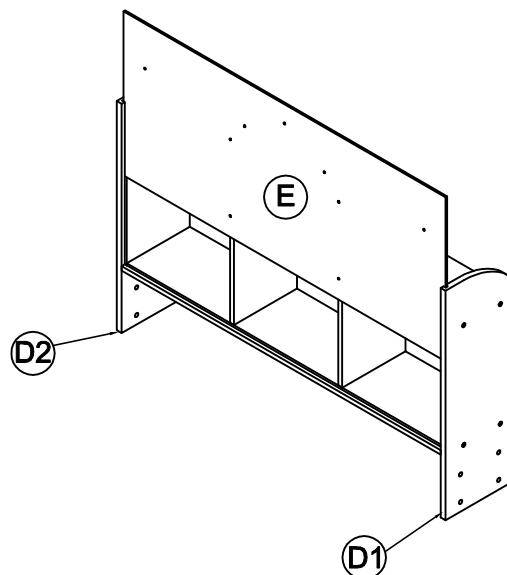
6



Wood crews
M4 * 30 - 8pcs



STEP 8



STEP 9

1

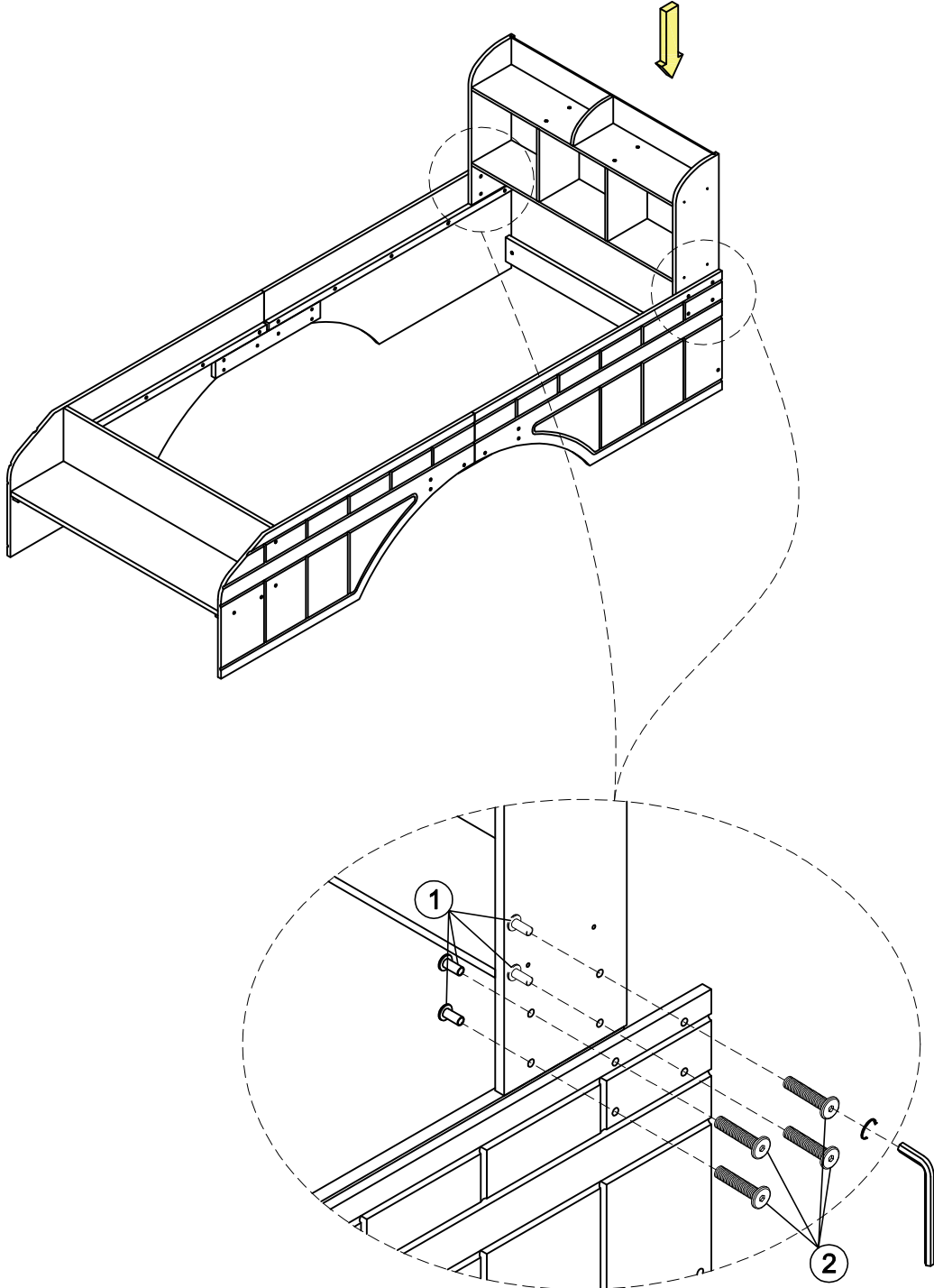


Canopy head through
Ø1/4" - 8pcs

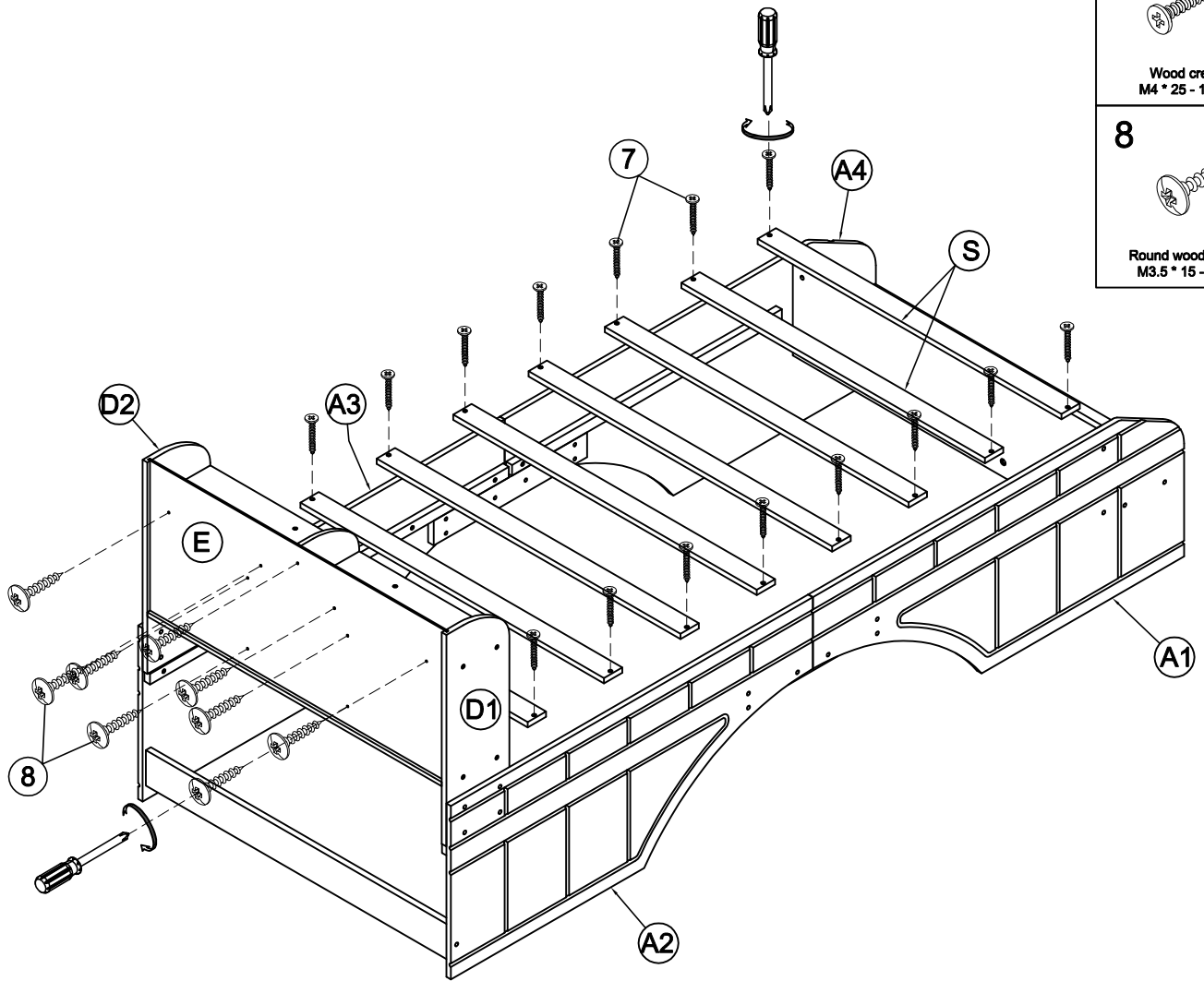
2



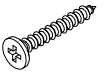
Hex - Head bolts
Ø1/4" * 25 - 8pcs



STEP 10

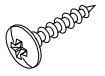


7



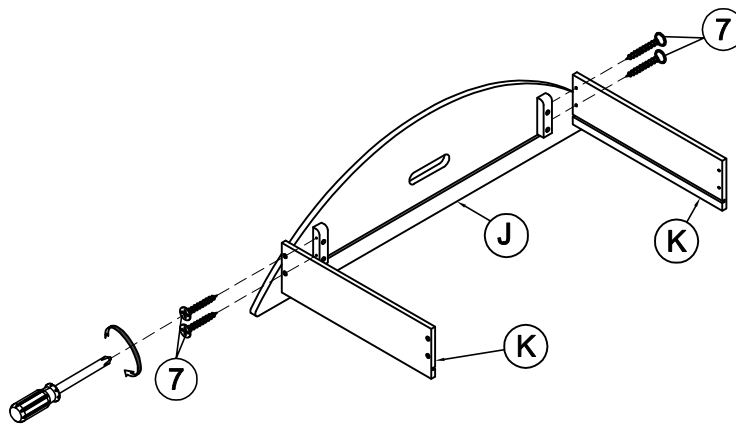
Wood crews
M4 * 25 - 16pcs

8

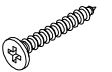


Round wood crews
M3.5 * 15 - 9pcs

STEP 11



7

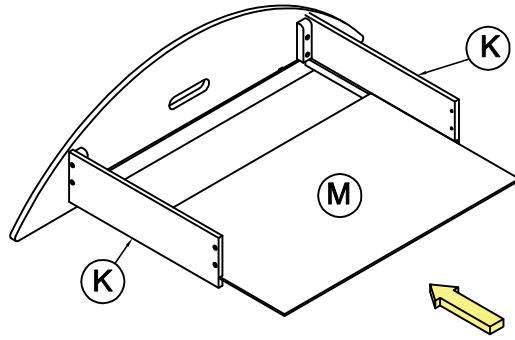


Wood crews
M4 * 25 - 8pcs

X2

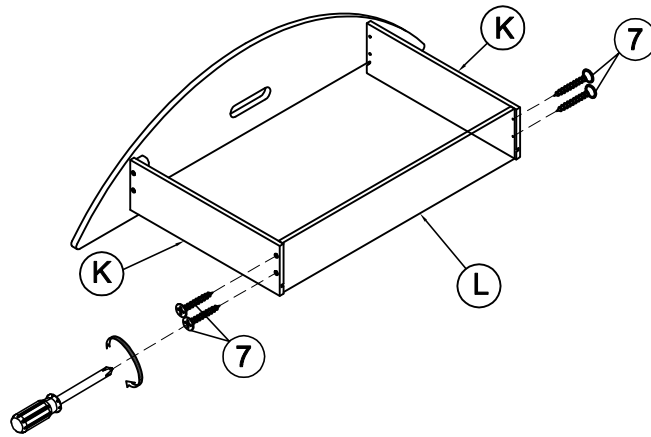
STEP 12

X2

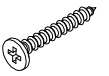


STEP 13

X2



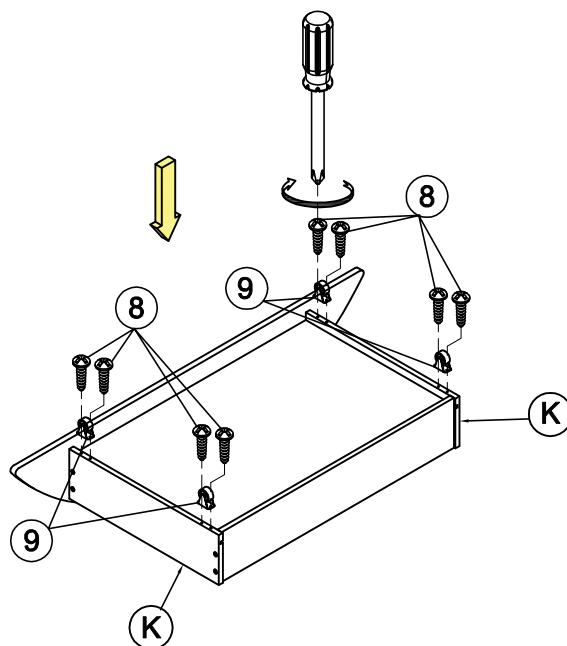
7



Wood crews
M4 * 25 - 8pcs

STEP 14

X2



9



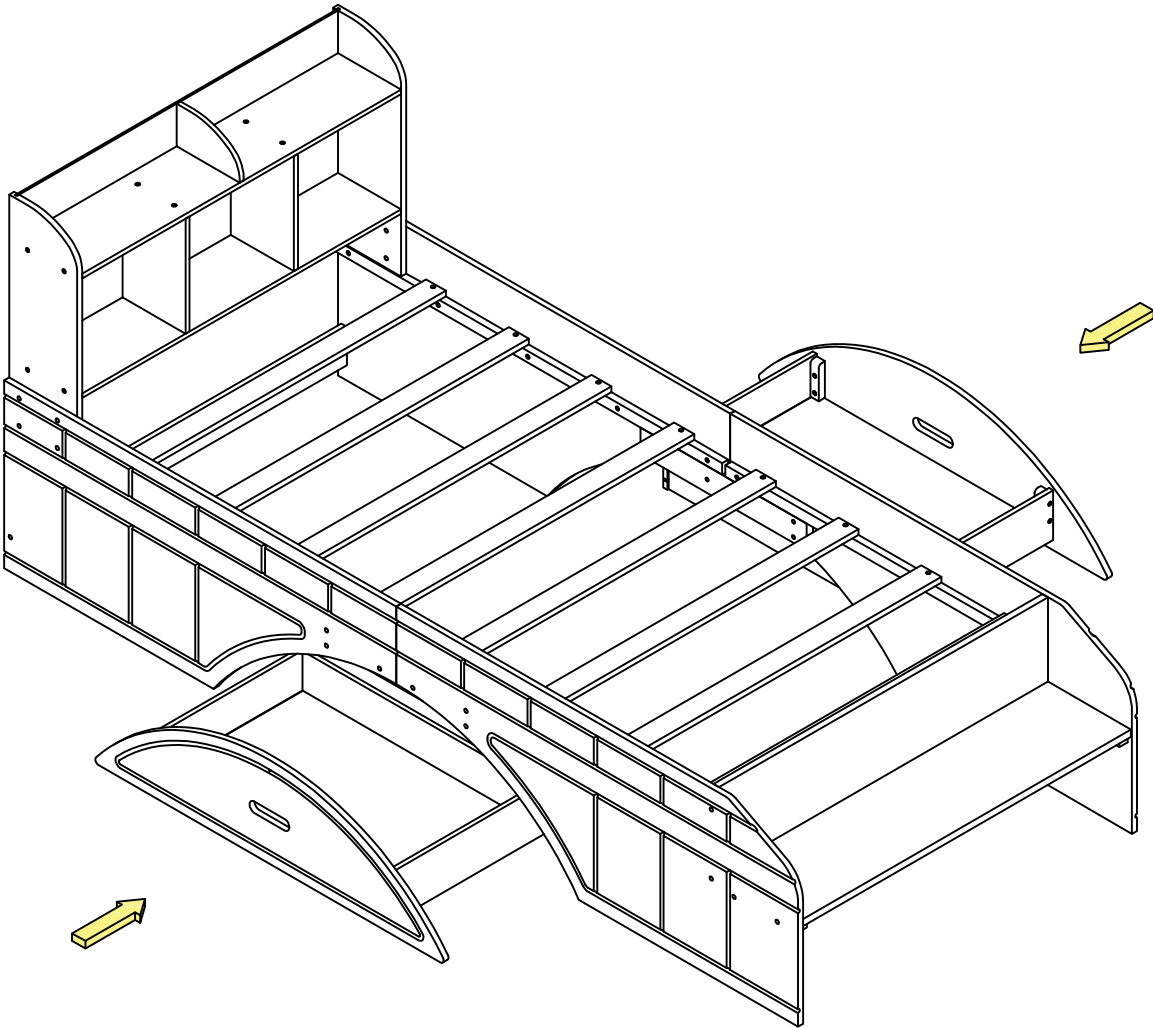
Wheel
8pcs

8



Round wood crews
M3.5 * 15 - 16pcs

STEP 15



COMPLETED

