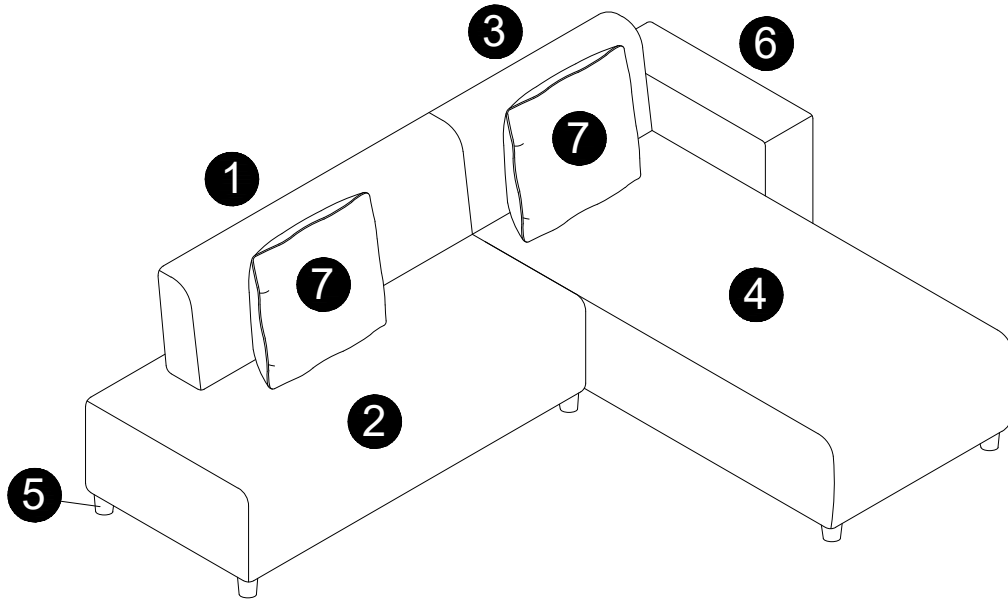
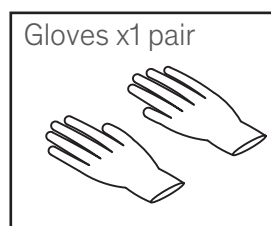


ASSEMBLY INSTRUCTION

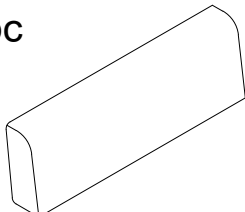
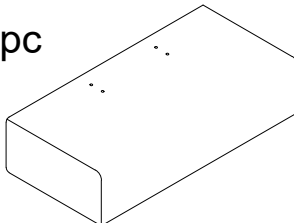
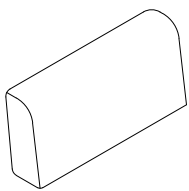
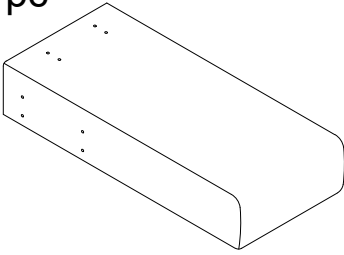

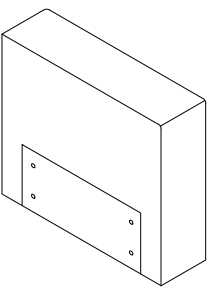
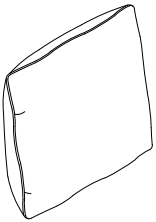
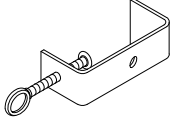


1. **PLEASE OPEN THE ZIPPER OF SOFA, AND TAKE OUT ALL OTHER PART BEFORE ASSEMBLY.**
2. FOR THE PROTECTION OF YOUR FURNITURE, PLACE ALL PARTS ON A CLEAN AND SMOOTH SURFACE TO PREVENT ANY DAMAGE.
3. PLEASE PERIODICALLY CHECK ALL FITTINGS AND RE-TIGHTEN AS NECESSARY.
4. DO NOT USE THE SOFA UNLESS ALL BOLTS AND SCREWS ARE FIRMLY SECURED.
5. NEED PARTS OR ASSISTANCE? EMAIL US.
6. YOU CAN ASSEMBLE IT WITH OUR PACKAGING TOOLS OR WITH A.

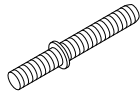


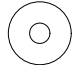
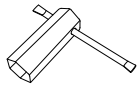


Please note gloves.
This fabric is very light colour.
So when assembling bed,
please wear them.

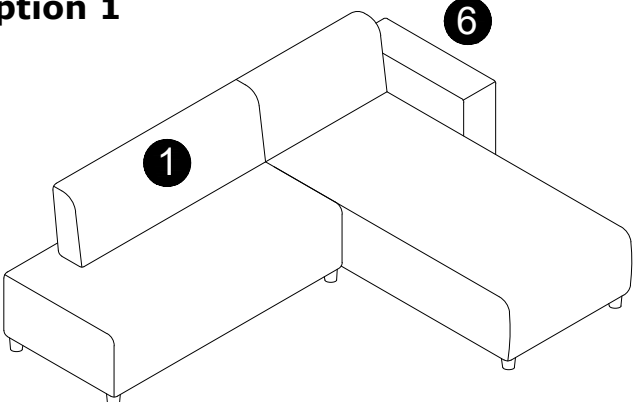
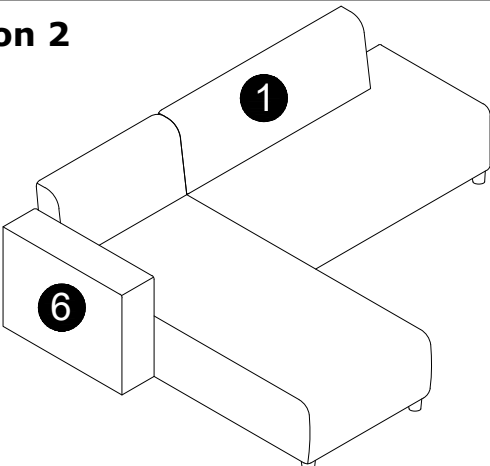
HARDWARE LIST

<p>1 1pc</p> 	<p>2 1pc</p> 	<p>3 1pc</p> 
<p>4 1pc</p> 	<p>5 10pcs</p> 	<p>6 1pc</p> 
<p>7 2pcs</p> 	<p>8 1pc</p> 	

HARDWARE LIST

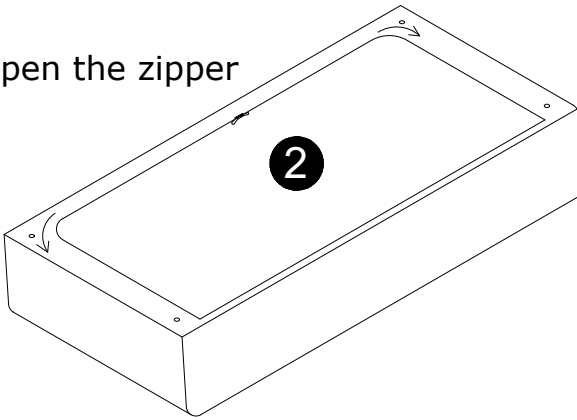
 <p>H1 M8x80mm x 12pcs</p>	 <p>H2 M8 x 12pcs</p>	 <p>H3 M8 x 12pcs</p>	 <p>H4 M8x22mm x 12pcs</p>
 <p>H5 x 1pc</p>			

Sofa has two different placement options, refer to the diagram below:

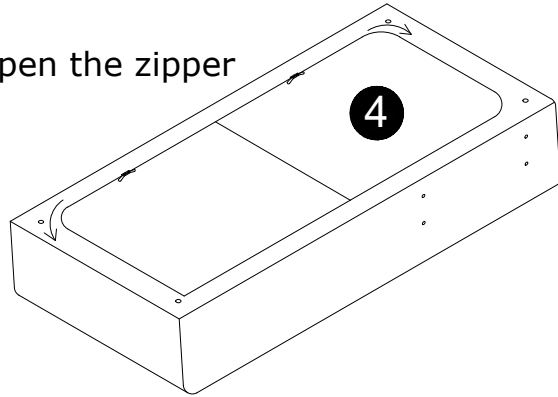
<p>Option 1</p> 	<p>Option 2</p> 
--	---

1. **NOTE:** PLEASE OPEN THE ZIPPER ON THE BACK OF AND TAKE OUT THE PARTS.

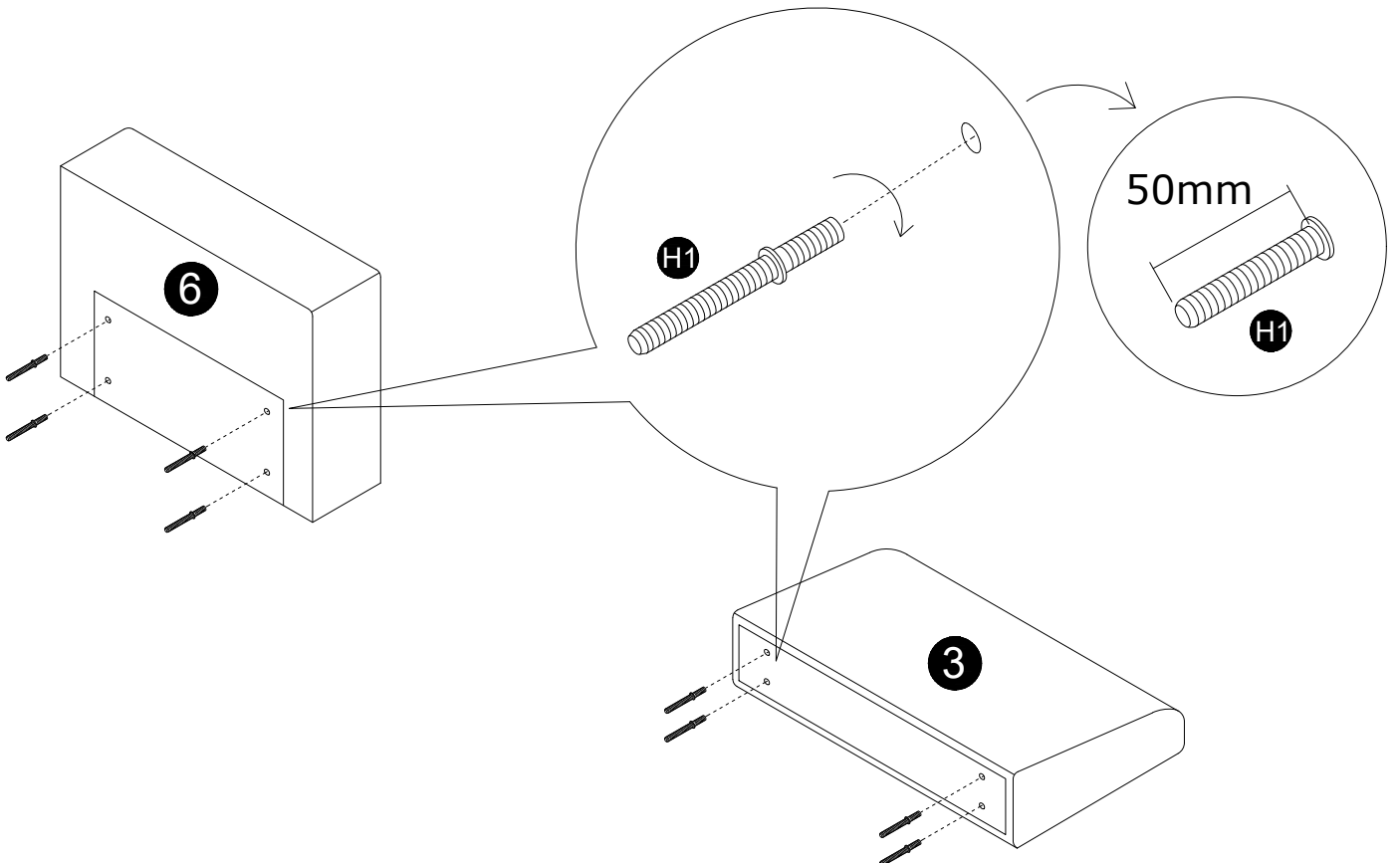
Open the zipper



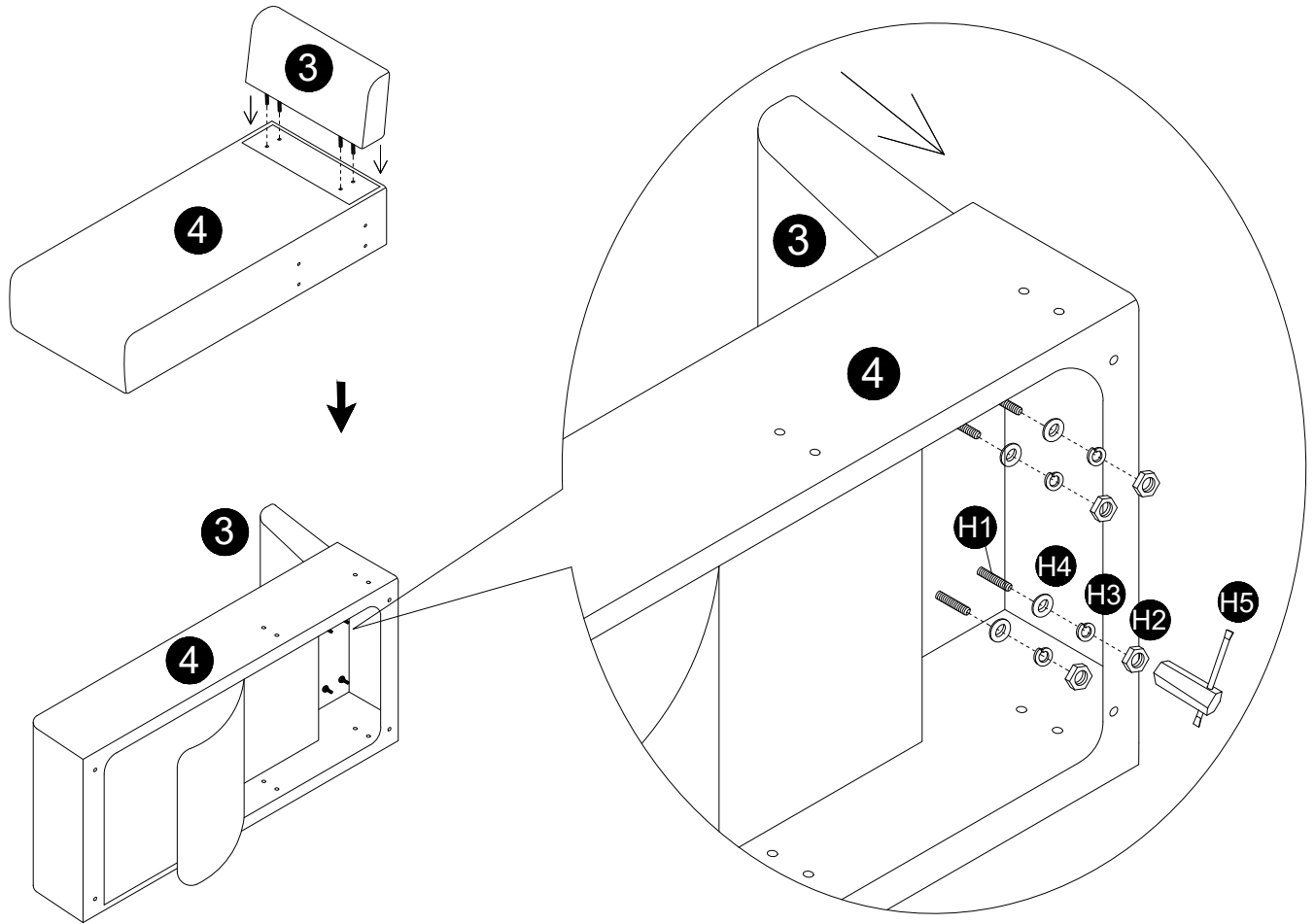
Open the zipper



2.

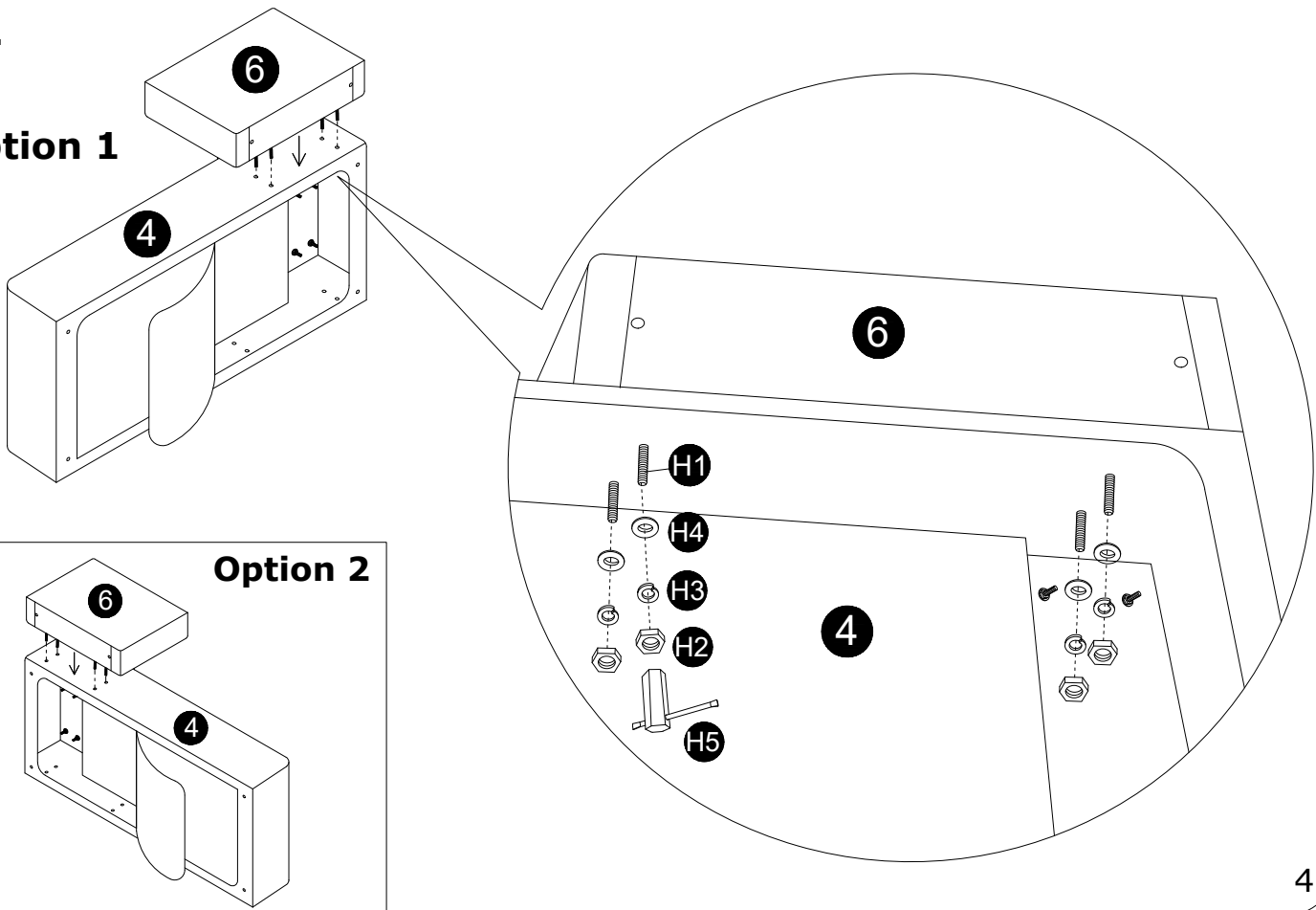


3.



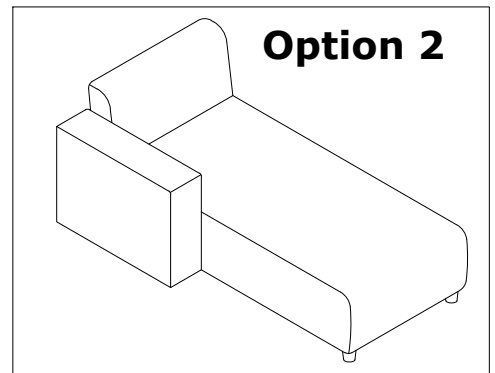
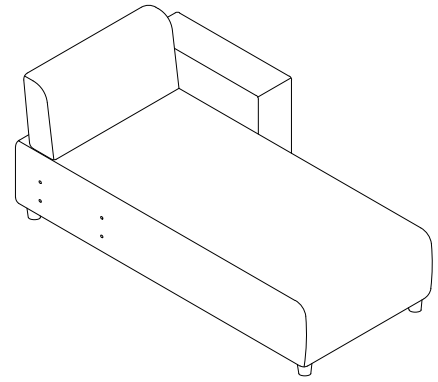
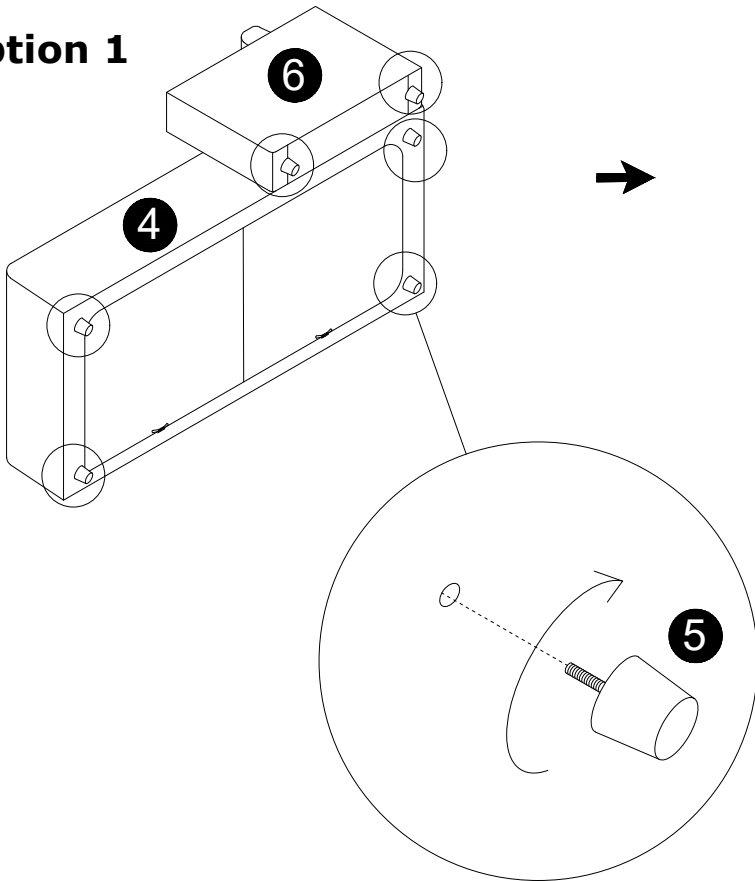
4.

Option 1



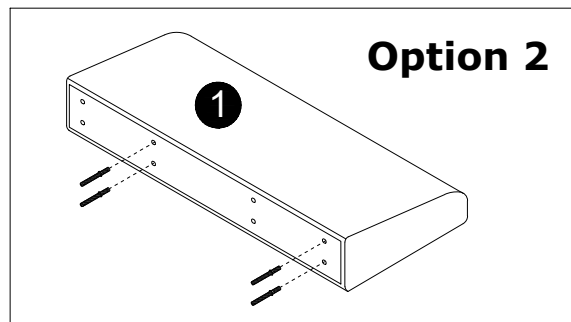
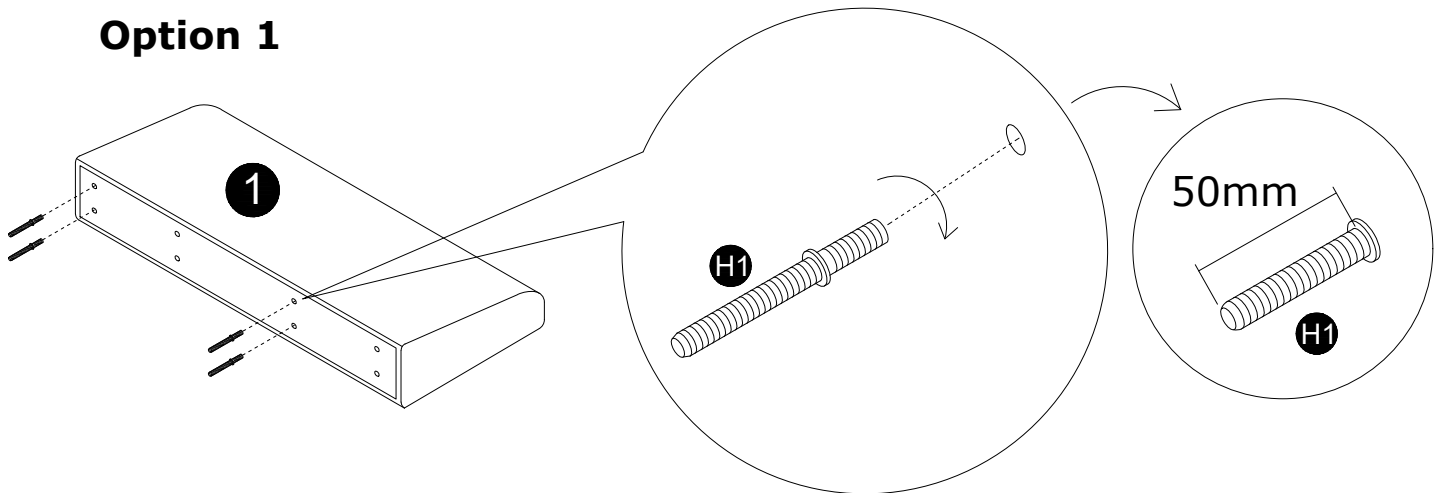
5.

Option 1



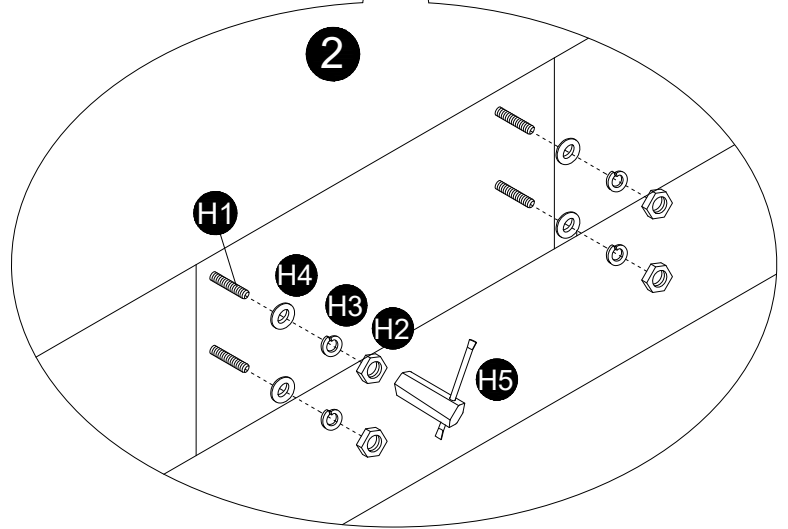
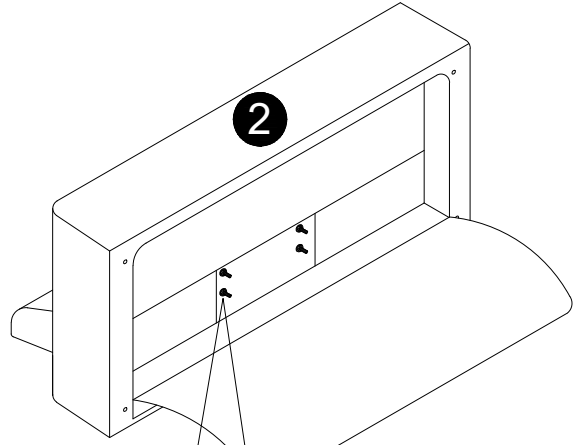
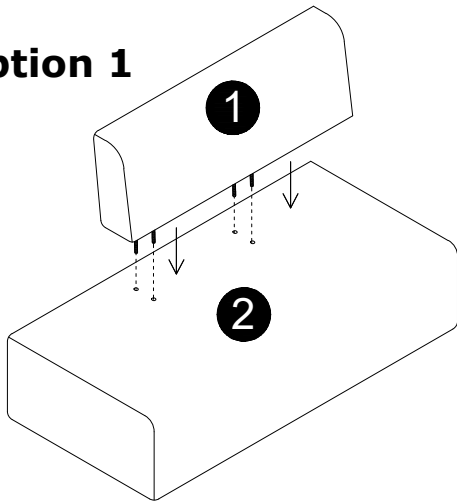
6.

Option 1

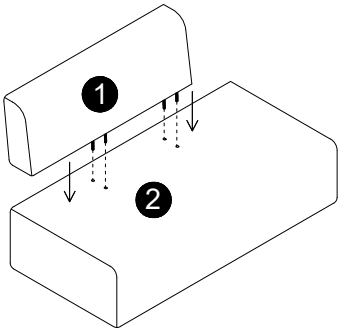


7.

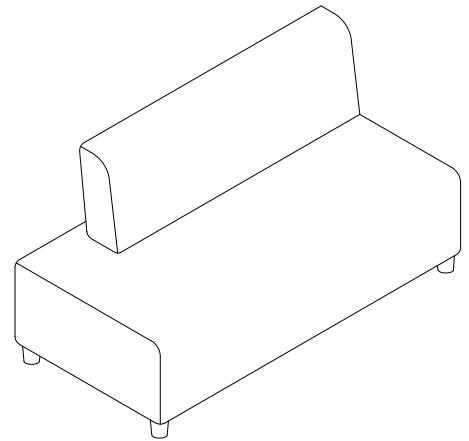
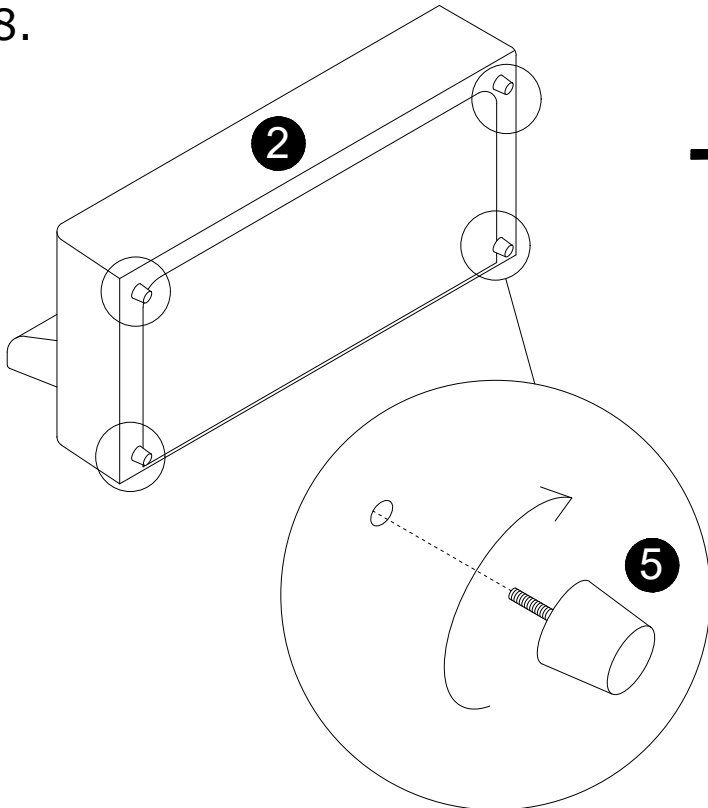
Option 1



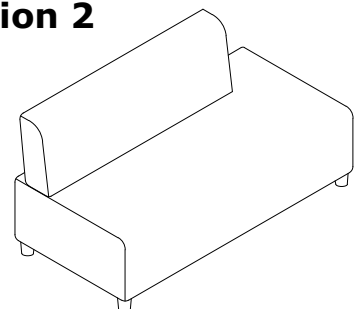
Option 2



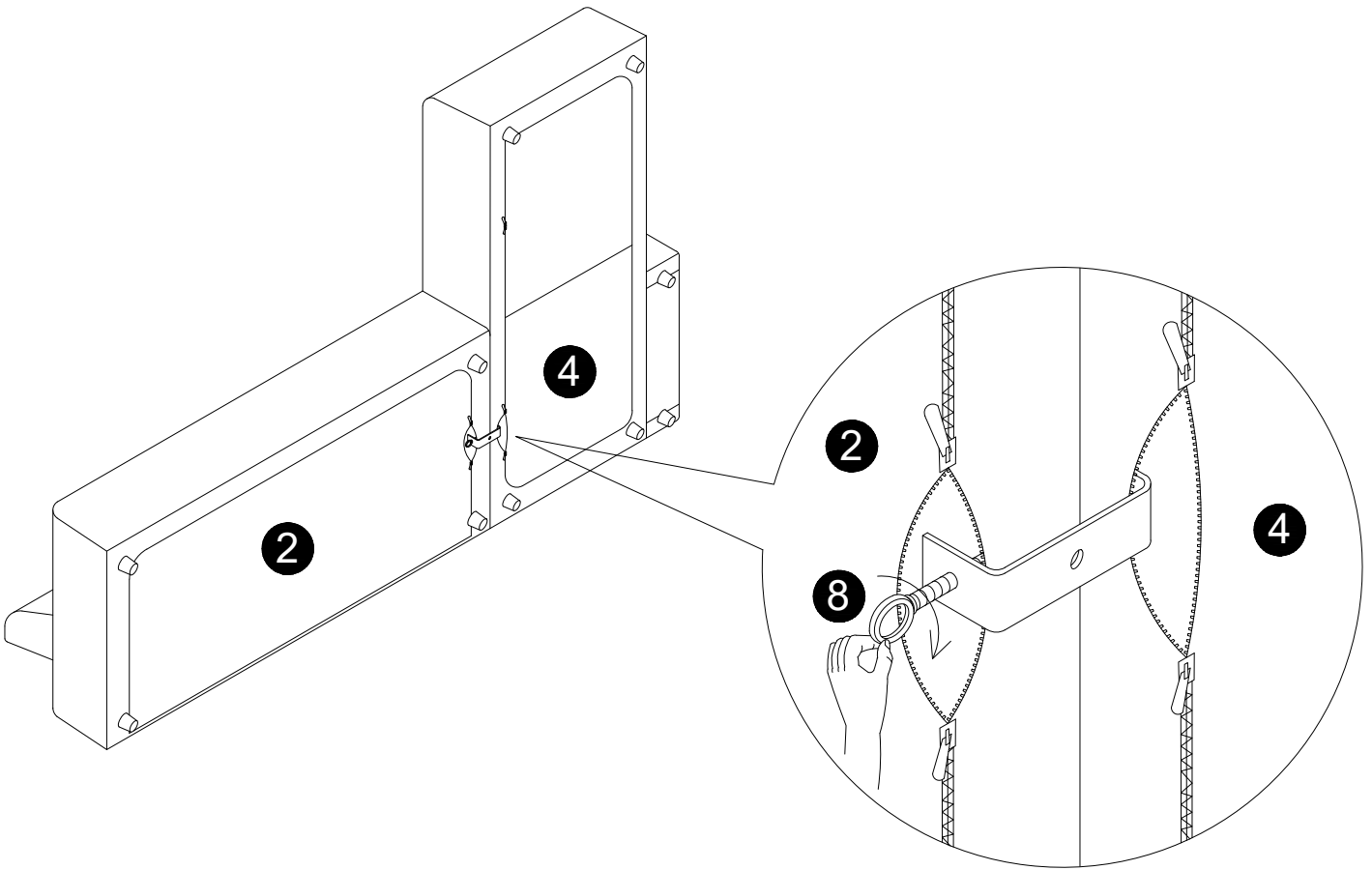
8.



Option 2

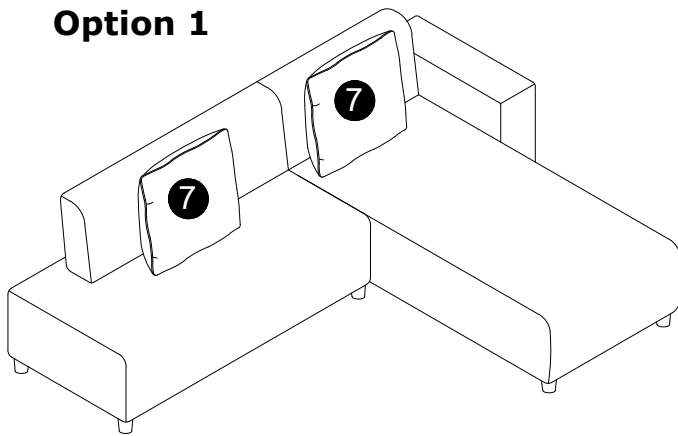


9. If you need to connect the sofas together, please follow these steps.

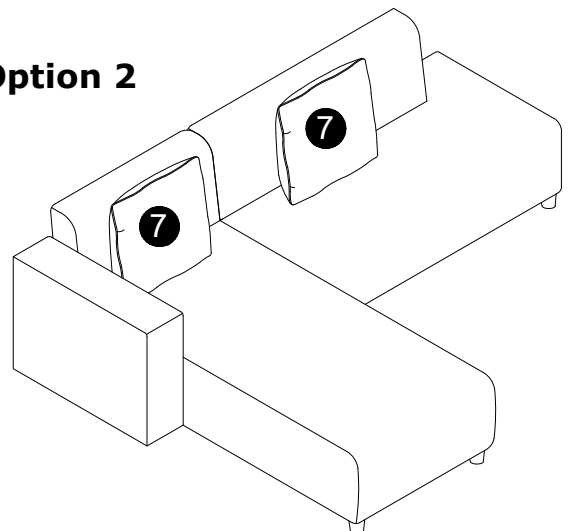


10.

Option 1



Option 2



Job Complete !

In the interest of our environment please dispose of all packaging thoughtfully.