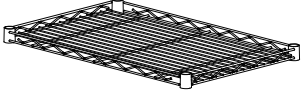
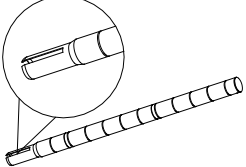

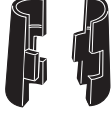


INSTALLATION

Carbon Steel Rack With 3-shelf

Parts list

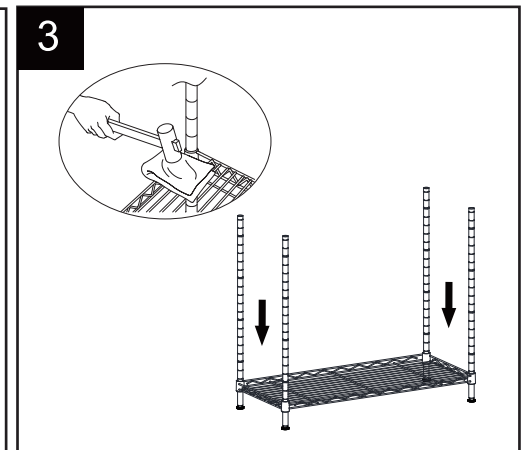
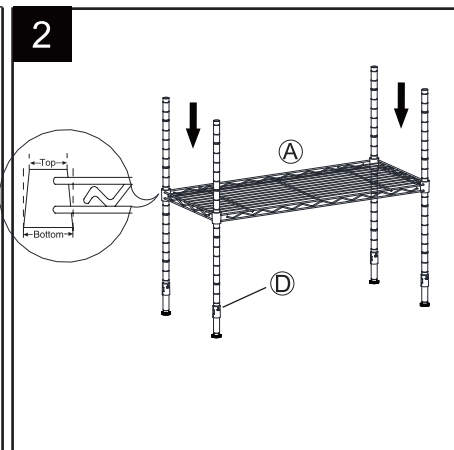
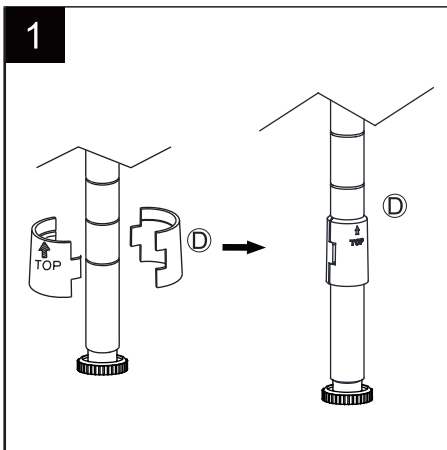
<p>Ⓐ shelf X3</p> 	<p>Ⓑ top tube X4</p> 	<p>Ⓒ bottom tube X4</p> <p>adjustable pin</p> 	<p>Ⓓ plastic clip X12 pairs</p>  <p>spare parts x1pairs</p>
---	--	--	--

ASSEMBLY INSTRUCTIONS

1. Snap two plastic clips together around the bottom pole at a height you want and keep the arrow up. Move up and down the clips to make sure that they lock into the grooves.

2. Repeat Step1 and finish the 4 bottom poles with clips. Slide the bottom shelf onto the pole.

3. Push the bottom shelf down onto plastic clips until the shelf fits tight. (Tap lightly with rubber mallet if necessary)



4. Install top tubes accordingly.

5. Install all the shelves according to step 3.

6. Finished.

