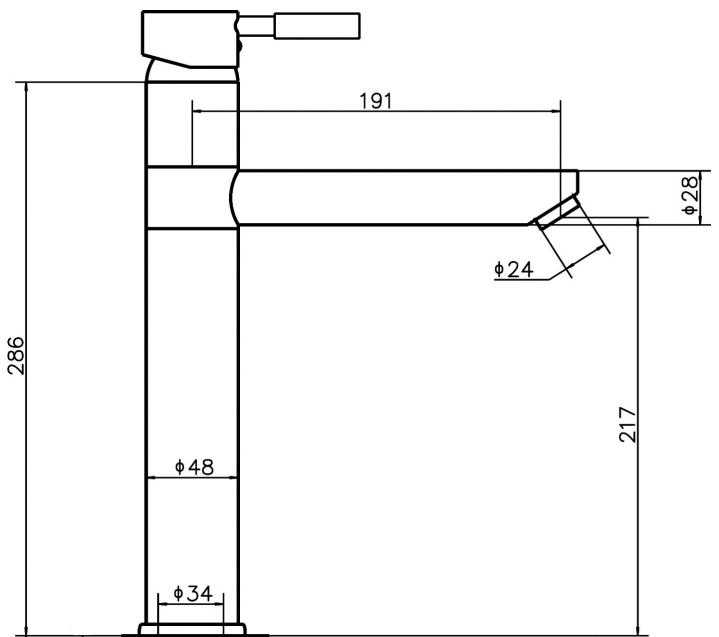


CUSTOMER DATA SHEET - BRASSWARE

DESCRIPTION: High Rise Mixer S Spout No Wst



PRODUCT DIMENSIONS

Height (mm)	Width (mm)	Depth (mm)	Length (mm)	Nett Wgt Kg
315	50	225		1.76

PACKAGING DIMENSIONS

Height (mm)	Width (mm)	Depth (mm)	Gross Wgt Kg
65	255	355	1.77

PACKAGING DATA

Box Colour	White Cardboard Box		
Box Qty	1	Label Colour	White Label
Label Size	100 x 50	Label Qty	2

OUTER BOX DIMENSIONS (If Applicable)

Height (mm)	Width (mm)	Depth (mm)	Length (mm)	Gross Wgt Kg
415	360	530		12

PRODUCT DETAILS

Country of Origin	China		
Fitting Instruction	No		
Product Material	Brass		
Control Type	Manual		
Waste Included	Waste Not Included		
WRAS Approval	No	Approval No.	N/A
Operating Pressure (bar)	0.2		
Valve/Cartridge Type	Single Lever Cartridge		

Colour/Finish	Chrome									
Mount Type	Deck									
Waste Type	Not Applicable									
Flow Rates (L/min)	0.1	4	0.5		1	9.5	2	11	3	13.5
Pipe Size	15 mm (1/2" Bsp)									
Pipe Centres	N/A									