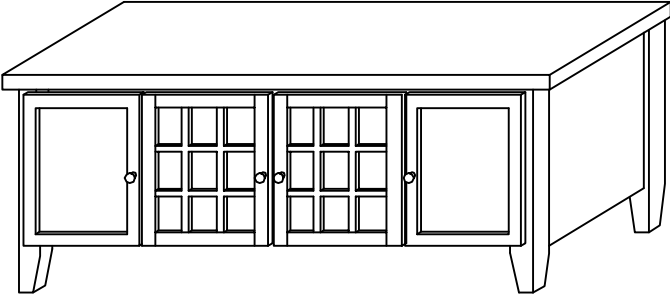
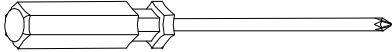
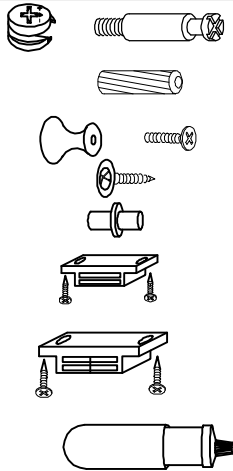
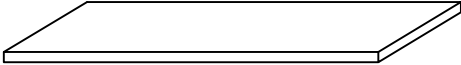
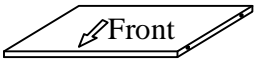
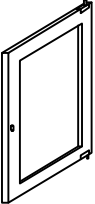
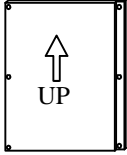
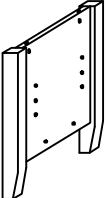


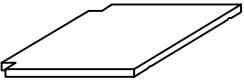
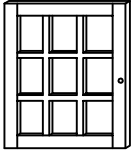
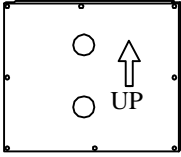
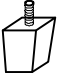


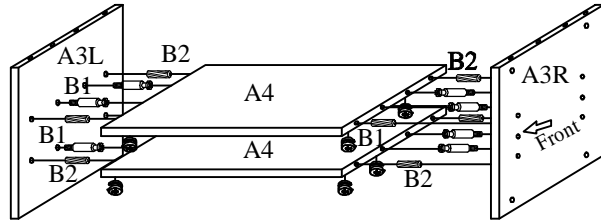
Assembly Instruction	Tools Required	Hardware Provided
<p>It is recommend to assemble the TV stands on a pad in order to protect finish. Item must be assembled by two adults.</p> 	 <p>Phillips screwdriver</p>	 <p>B1 24SETS B2 24PCS B3 4SETS B4 20PCS B5 8PCS B6 2PCS B7 1PCS B8 1PC</p> <p>Apply a little glue B8 into the wood dowel holes when inserting wood dowels.</p>

Wooden Parts

 <p>A1 1PC</p>	 <p>A4 2PCS</p>	 <p>A7(L&R)2PCS</p>	 <p>A9 2PCS</p>
 <p>A2(L&R)2PCS</p>	 <p>A5 1PC</p>		
 <p>A3 2PCS</p>	 <p>A6(L&R)2PCS</p>	 <p>A8(L&R)2PCS</p>	 <p>A10 1PC</p>  <p>A11 1PC</p>

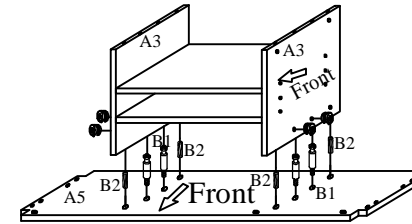
Step 1

Assemble middle dividers A3(R&L) to shelves A4 using wood dowels B2 and camlocks B1.



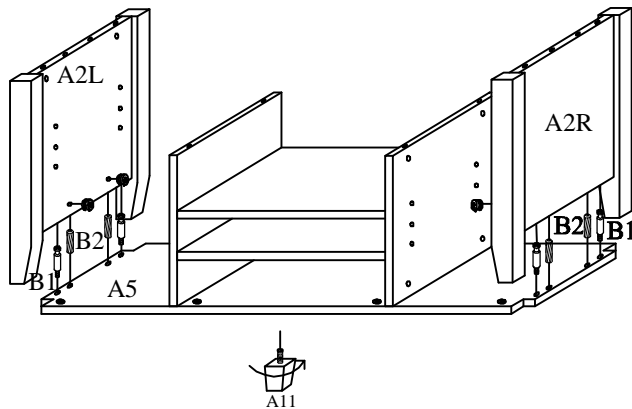
Step 2

Assemble bottom panel A5 to middle dividers A3(L&R) using wood dowels B2 and camlocks B1.



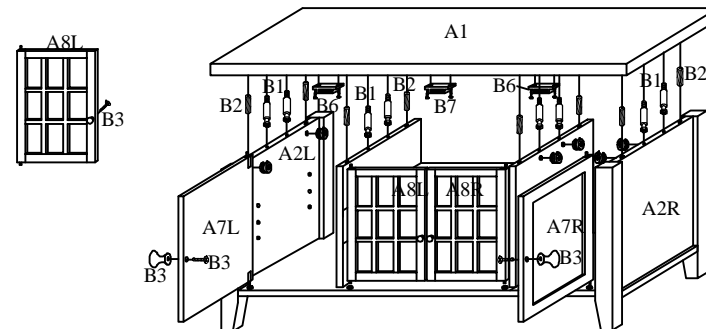
Step 3

Assemble side panels A2(R&L) to bottom panels A5 using wood dowels B2 and camlocks B1. We would recommend to add the extra foot A11 on the bottom panel A5 of unit in the center for more support.



Step 4

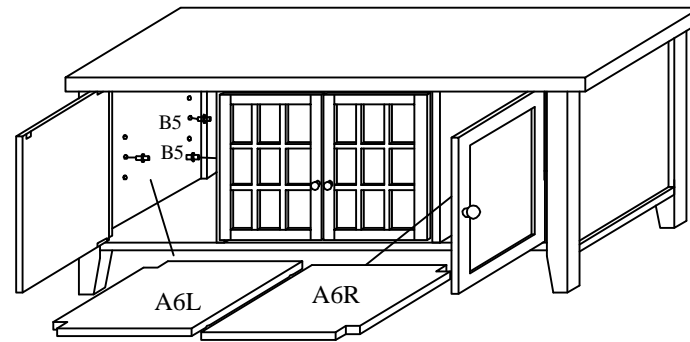
- 1). Assemble the door knobs B3 to the door panels A7(L&R) and A8(L&R), insert the door panels A7&A8 to the bottom panel A5.
- 2). Assemble magnets B6&B7 to the top panel A1.
- 3). Assemble the top panel A1 to side panels A2(L&R), middle dividers A3 and door panels A7(L&R)&A8(L&R) using wood dowels B2 and camlocks B1.



Step 5

Insert the shelf supports B5 to the pre-drilled holes of side panels A2(L&R) and middle dividers A3.

Attach the shelves A6(L&R) to the TV-stand.



Step 6

Assemble back panels A9&A10 to the TV-Stand using screws B4.

