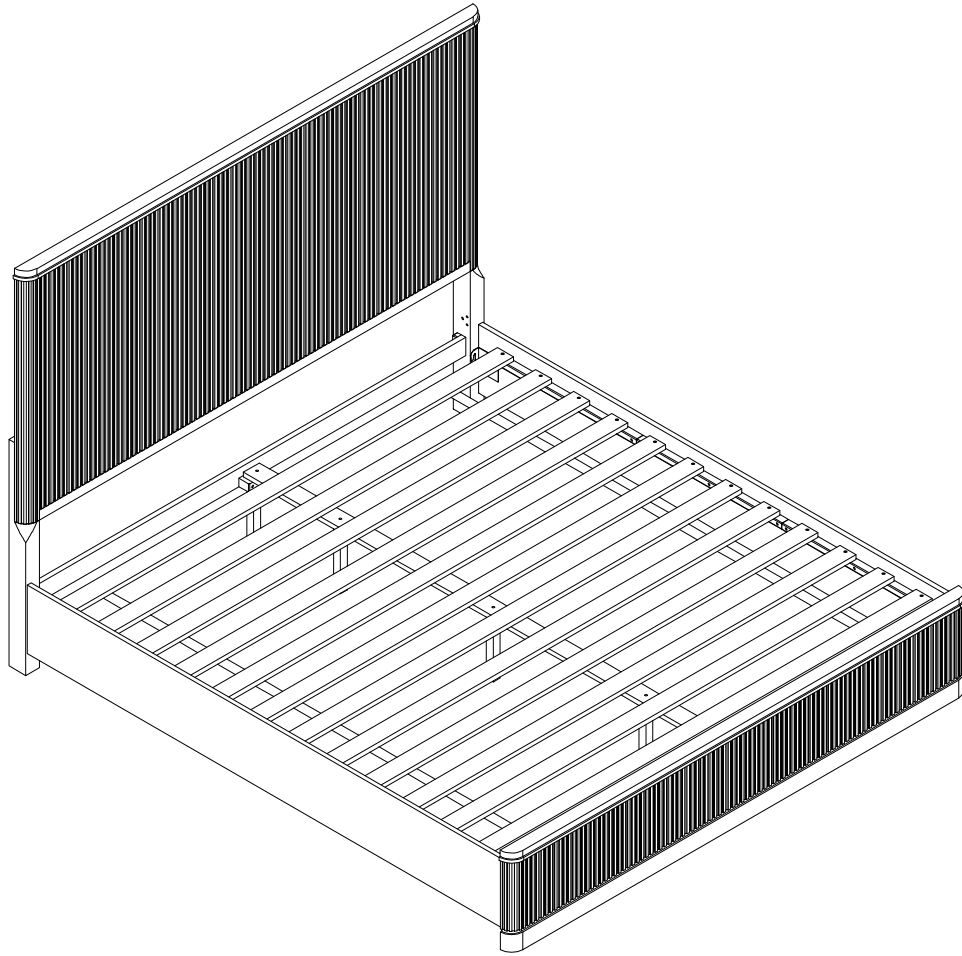


Owner Manual



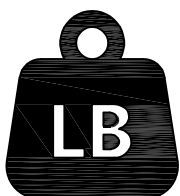
KING BED

NOTE:

This brochure contains **IMPORTANT** safety info. Please read and keep for future reference.

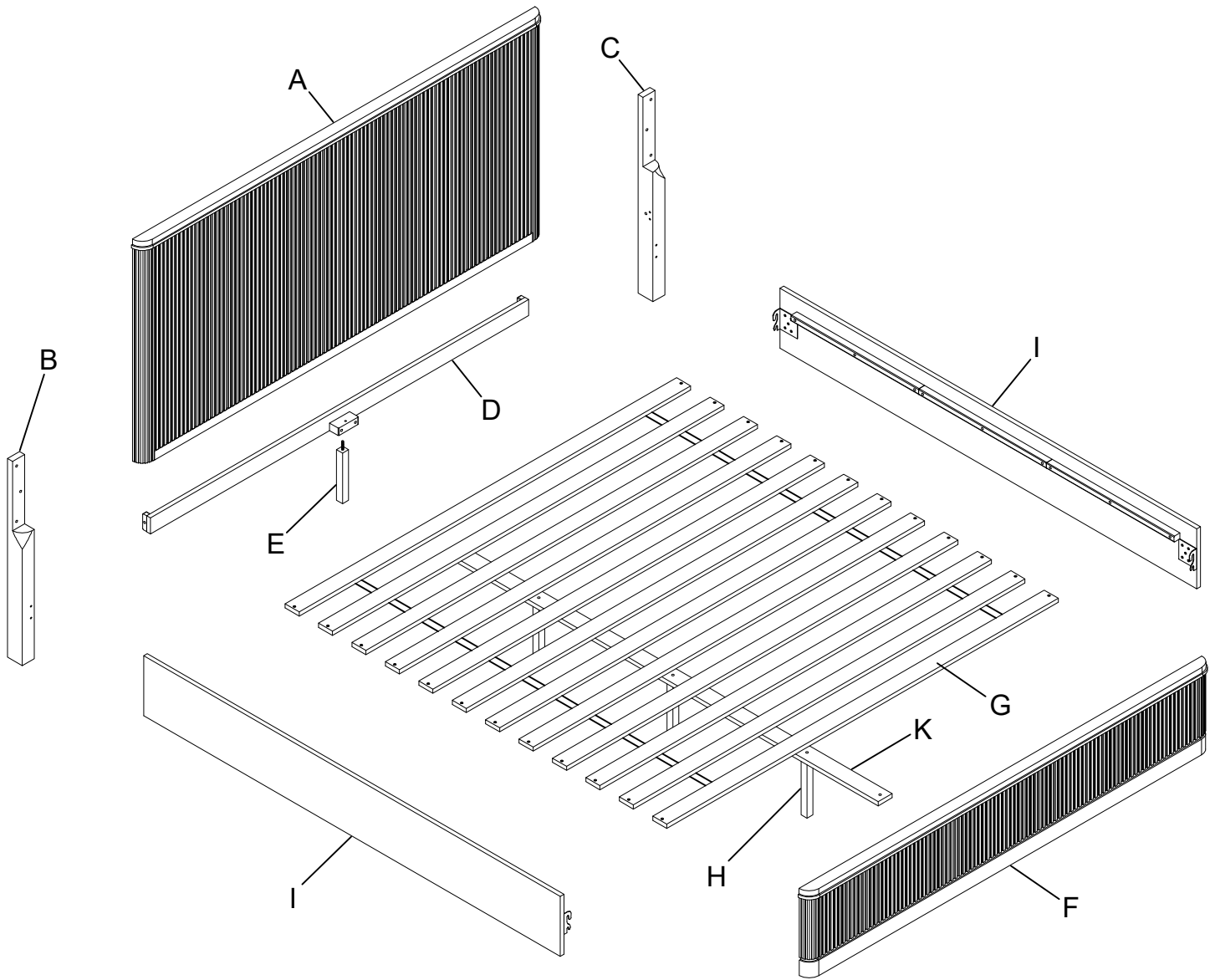
MAINTAINANCE AND WARNING

- .Keep furniture away from heat sources.
- .Do not clean furniture with harsh cleaner or polishes.Do not use detergents,solvents,abrasives,spray packs or leather cleaner. Use non-color mild soa with warm water to clean spills(Mix 1:10 soap to water).
- .Do not place furniture under direct sunlight,material will possibly fade over time.
- .Do not use on site dry cleaning machine.Children should not climb or jump on the furniture.
- .Do not write on furniture that is not protectedby a padded barrier.
- .Not for commercial use,only for residential use.

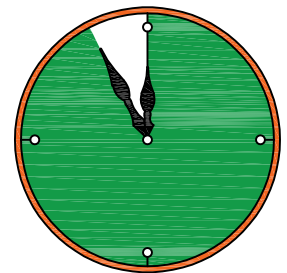
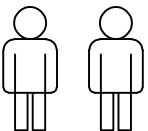


Weight Limitation
900 LBS

EXPLOSIVE VIEW

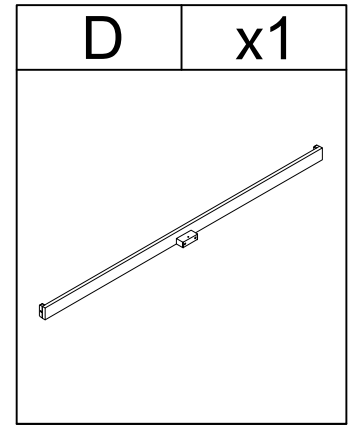
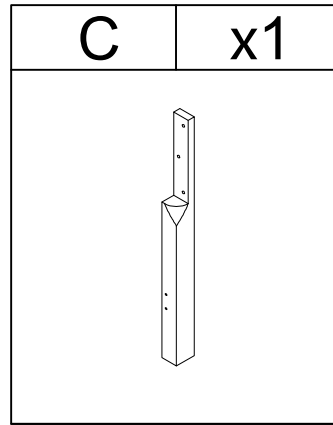
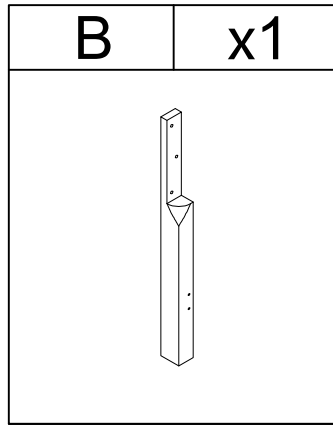
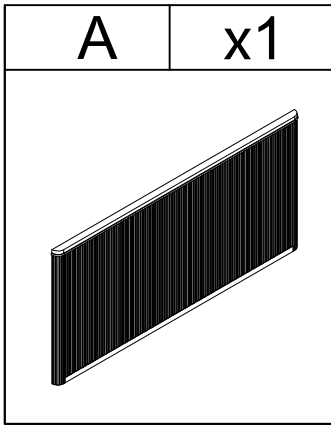


2 PERSONEN

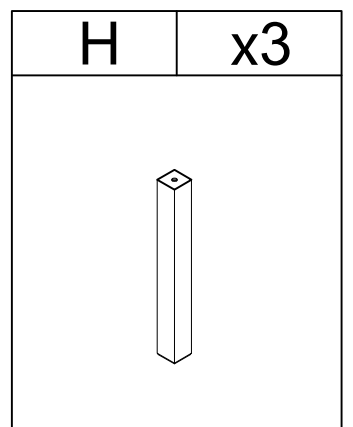
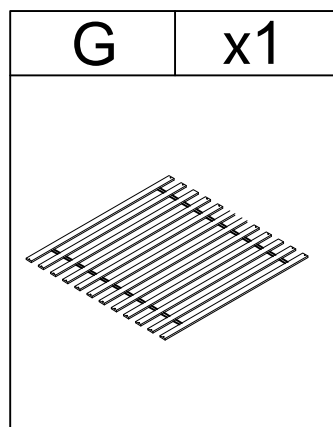
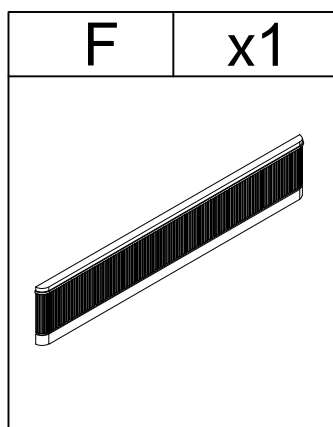
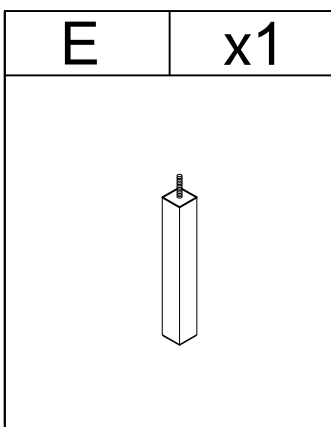


Around 55 min

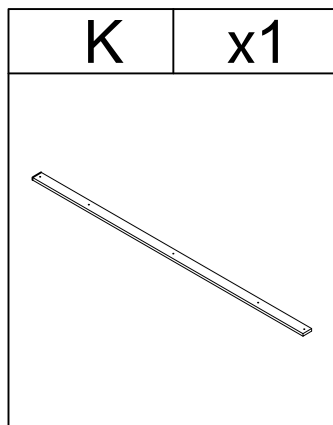
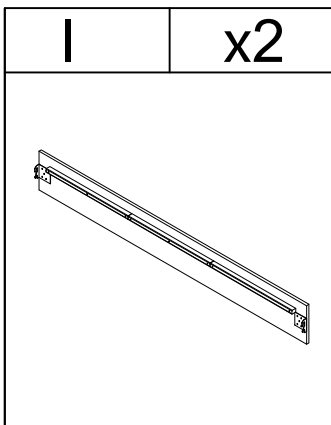
PARTS LIST



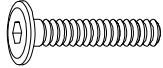
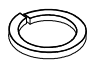

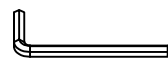
PARTS LIST



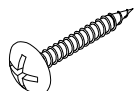
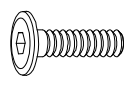

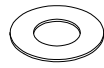
PARTS LIST



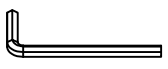
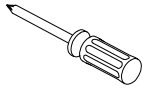
HARDWARE LIST

#1	x8	#2	x8	#3	x8	#8	x1
							
$\phi 5/16 \times 2"$		$\phi 5/16$		$\phi 5/16$		M4	

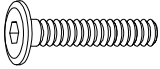
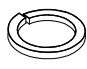

HARDWARE LIST

#4	x24	#5	x5	#6	x5	#7	x5
							
#8x1 1/6"		$\phi 1/4 \times 1 \ 3/8"$		$\phi 1/4$		$\phi 1/4$	

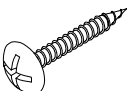
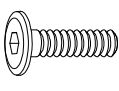
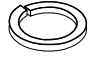

TOOL LIST

#8	x1	#9	x1
			
M4		95	

HARDWARE SPARE LIST

#1	x1	#2	x1	#3	x1
					
φ5/16x2"		φ5/16		φ5/16	

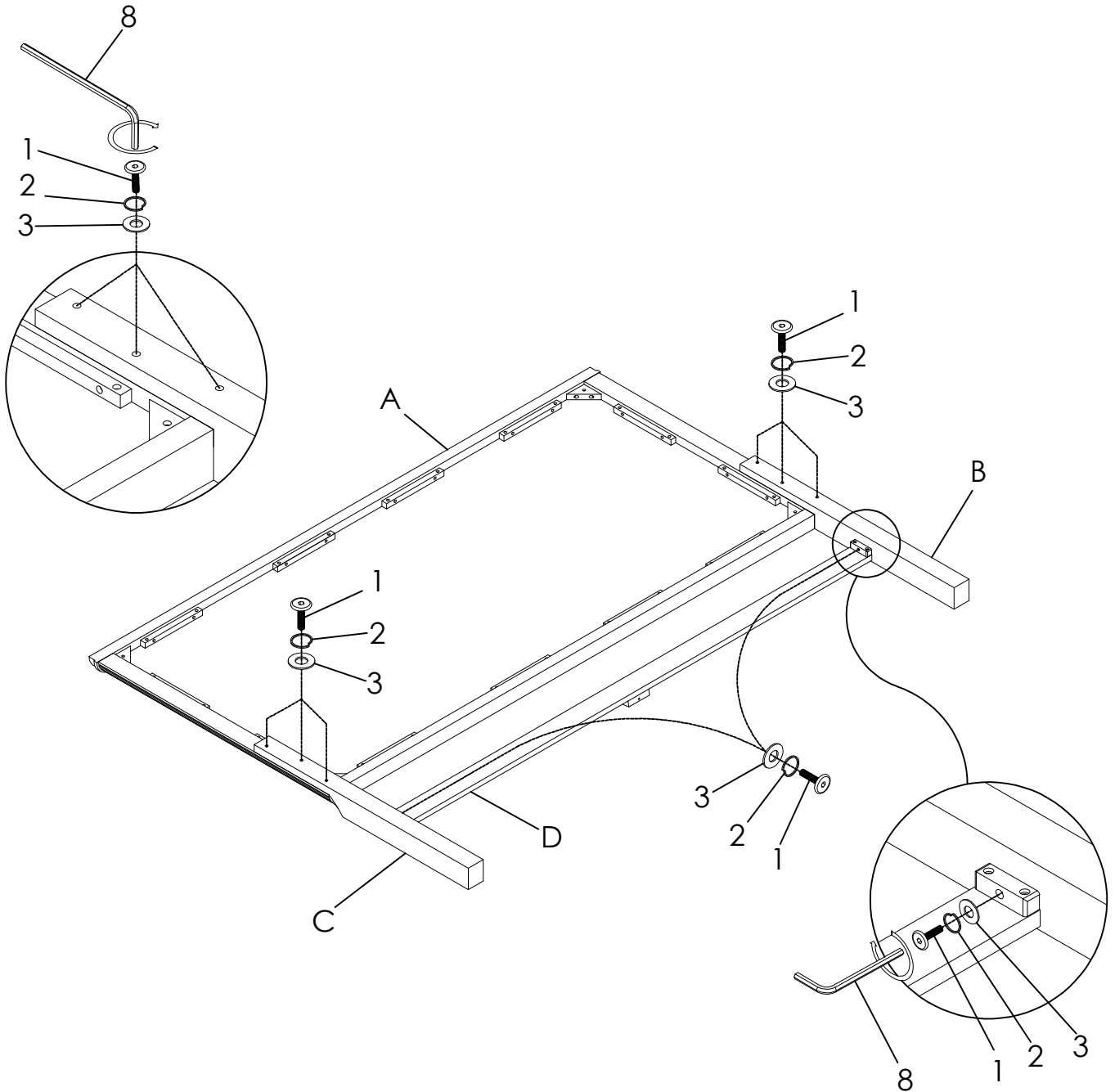
HARDWARE SPARE LIST

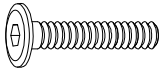
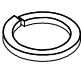


#4	x1	#5	x1	#6	x1	#7	x1
							
#8x1 1/6"		φ1/4x 1 3/8"		φ1/4		φ1/4	

ASSEMBLY INSTRUCTIONS

STEP-1

Align Headboard legs (B,C) to the Headboard Panel (A) and Stretcher (D), then secure by using Bolts (1) with Washers (2,3), tighten with allen key(8)

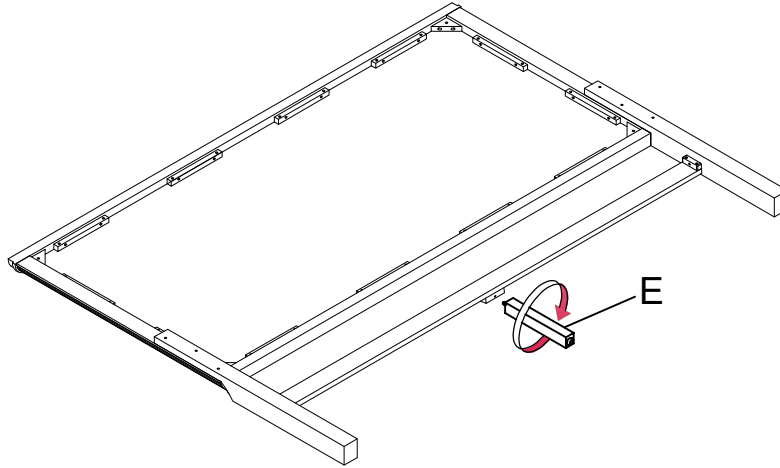


#1	x8	#2	x8	#3	x8	#8	x1
							
$\phi 5/16 \times 2"$		$\phi 5/16$		$\phi 5/16$		M4	

ASSEMBLY INSTRUCTIONS

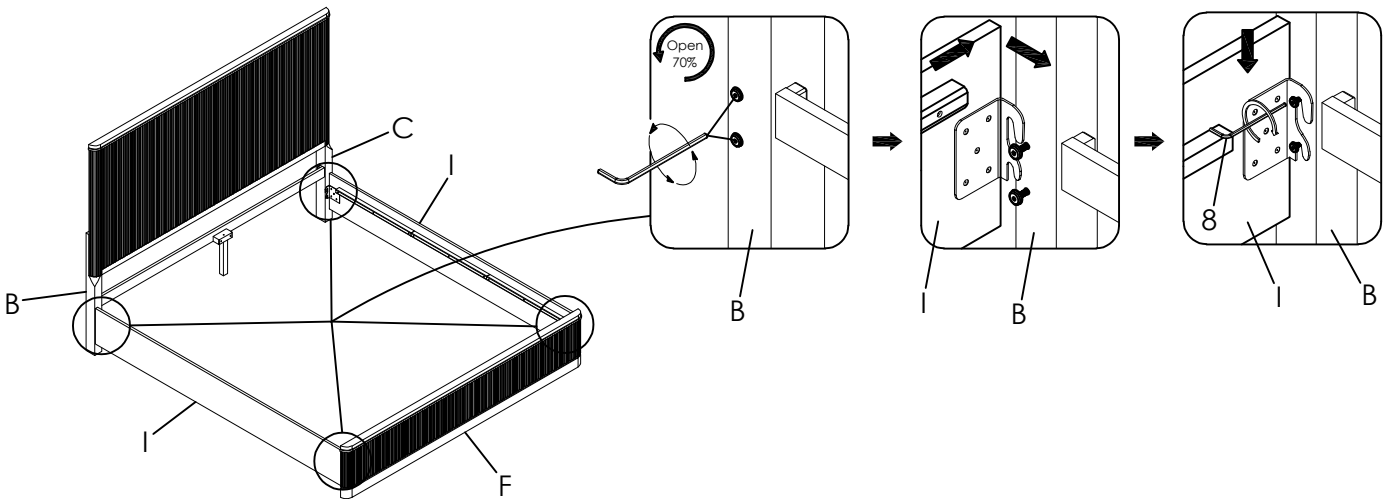
STEP-2

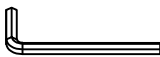
Align Short Support Leg (E) to the Stretcher (D) .



STEP-3

Loosen the bolts on the Headboard Leg (B,C) and Footboard (F). Then, attach the Side Rails (I) to the headboard and footboard. Tighten the bolts to secure the side rails to the headboard and footboard.

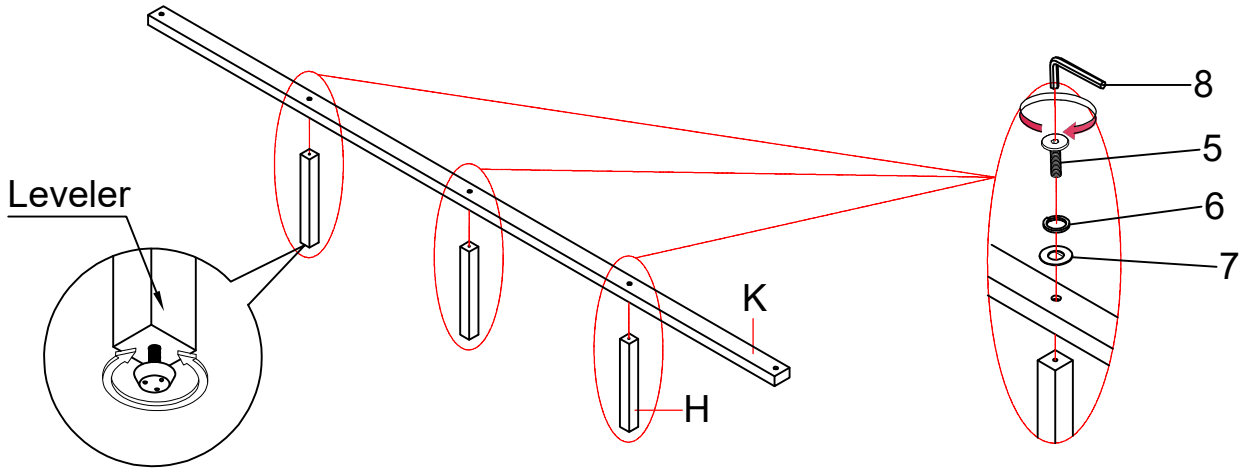


#8	x1
	
M4	

ASSEMBLY INSTRUCTIONS

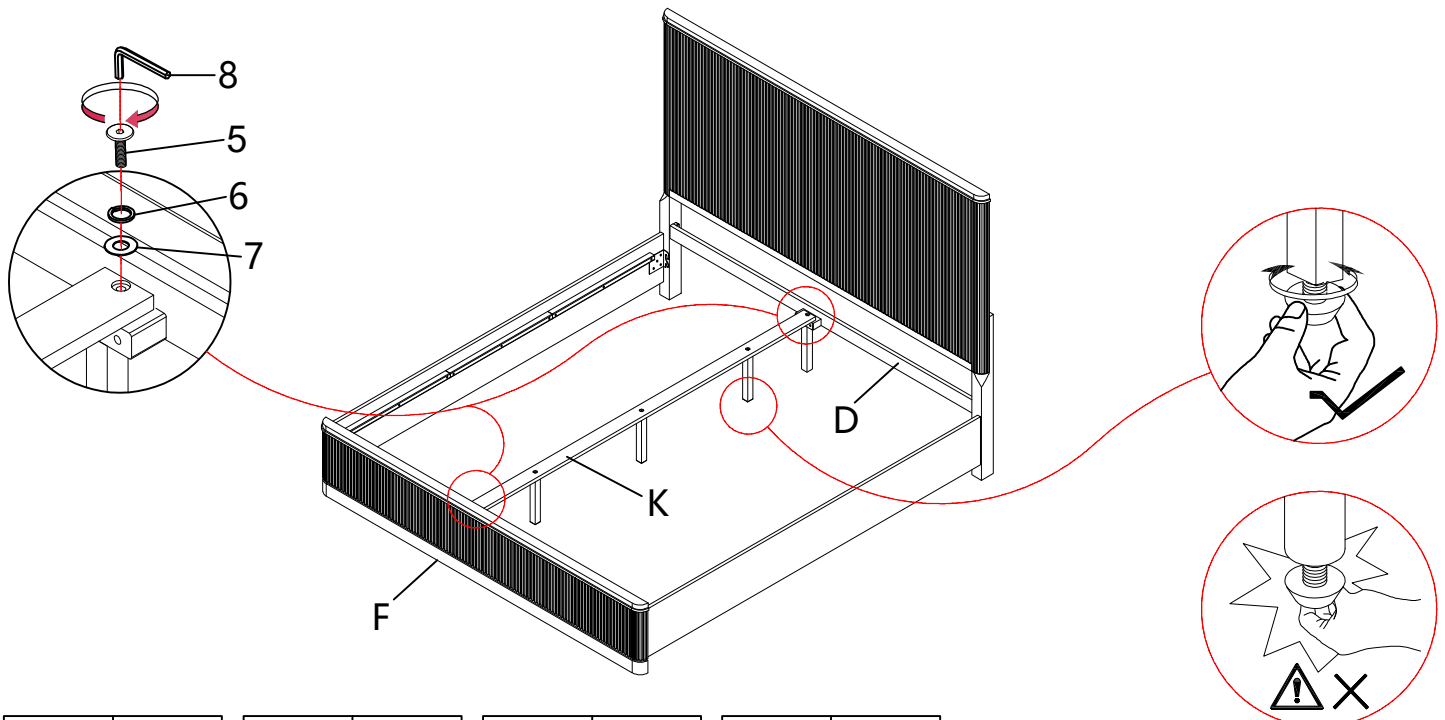
STEP-4

Align Long Support Leg (H) to the Support bar (K), then secure by using Bolts (5) with Washers (6,7), tighten with allen key(8).



STEP-5

Align Support bar (K) to Stretcher (D) and Footboard(F) then secure by using Bolts (5) with Washers (6,7), tighten with allen key(8)

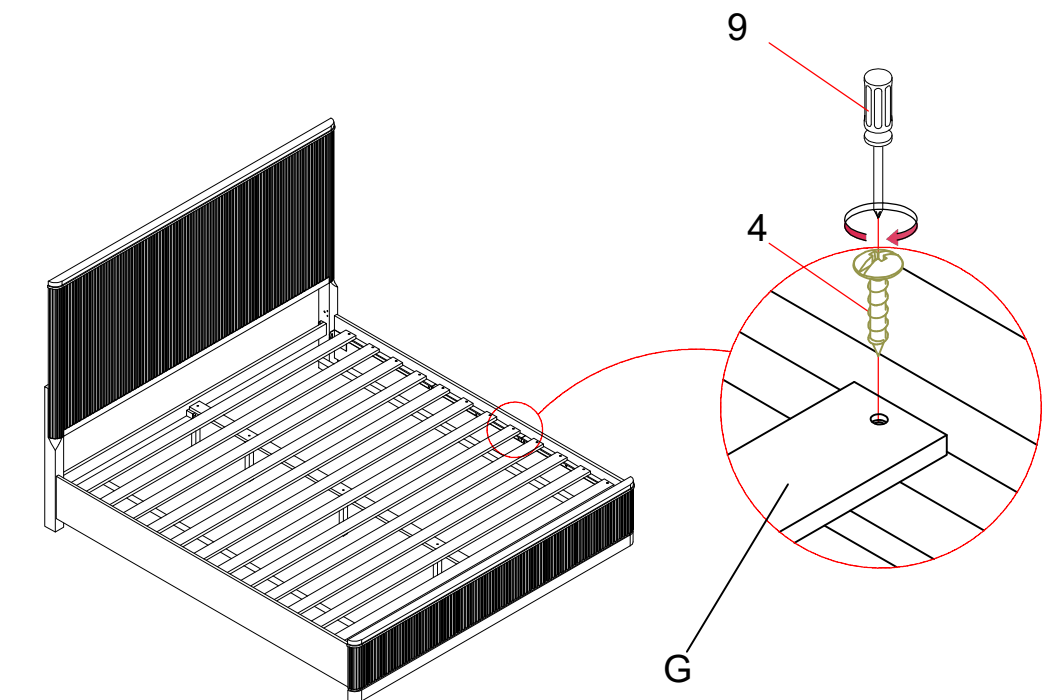


#5	x5	#6	x5	#7	x5	#8	x1
φ1/4x 1 3/8"		φ1/4		φ1/4		M4	

ASSEMBLY INSTRUCTIONS

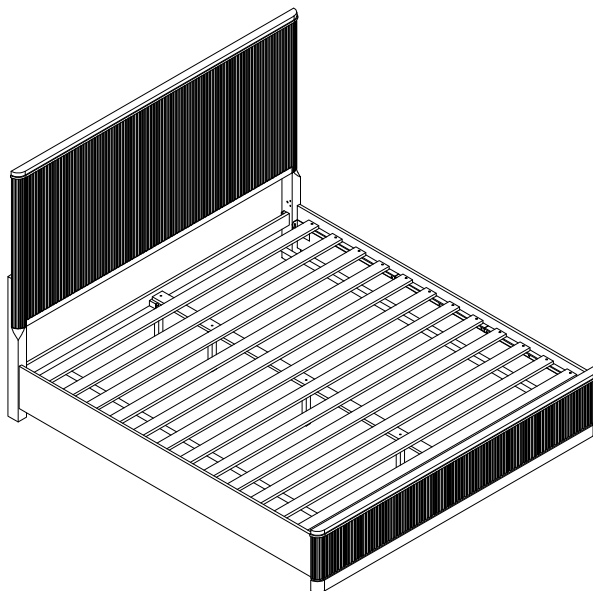
STEP-7

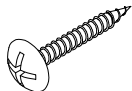
Align Slat Roll (G) to left Side panel (I) right Side panel (I), then secure by using Screw (4) tighten with screwdriver(9).



STEP-8

Complete.



#4	x24
	
#8x1 1/6"	

WARRANTY

1. We strive to offer high-quality products, and we also try our best to satisfy each and every customer that orders from us with product or service as needed.
2. We provide 30 days warranty starting from the time you receive the item. Each customer must provide a record of their order such as the order number, or item receipt for any items that are out of the warranty period you may also still receive.
3. Replacement parts by purchasing them with our company if they are available.