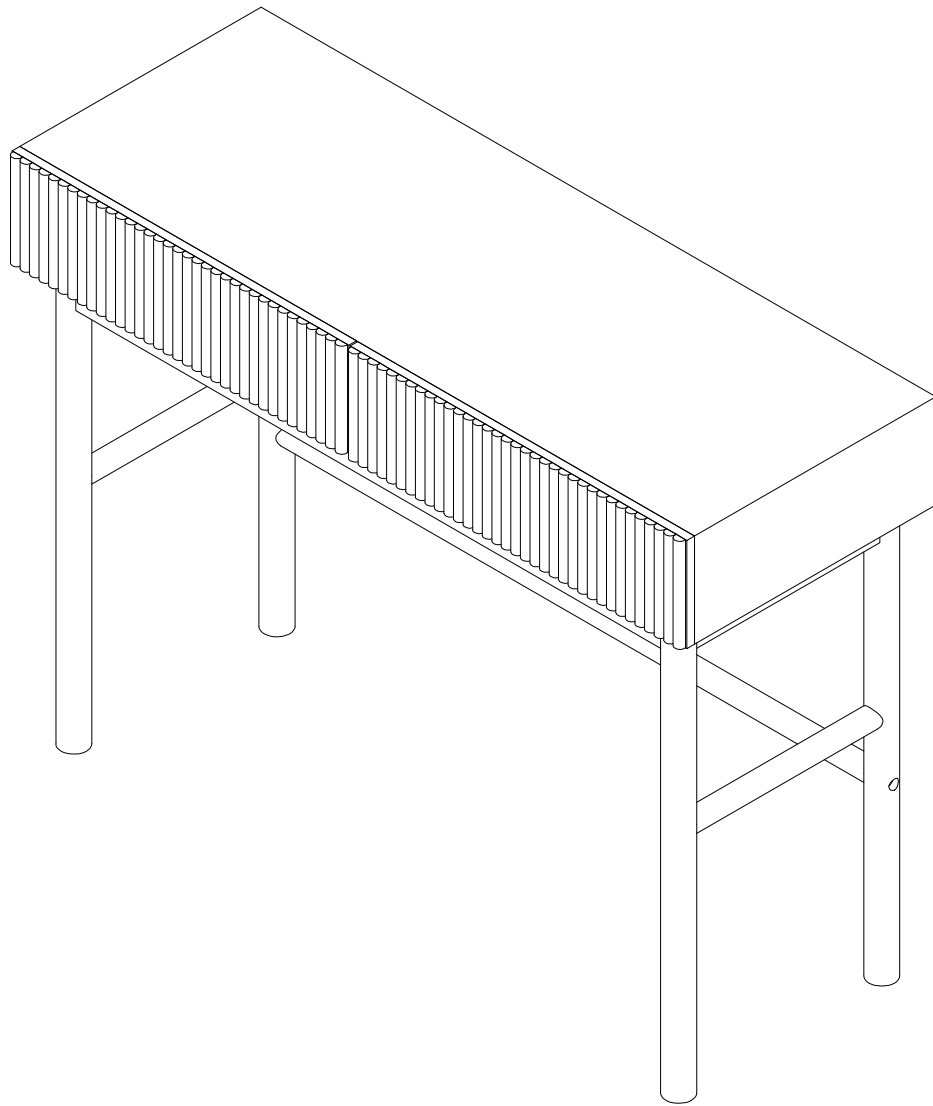


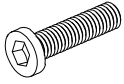
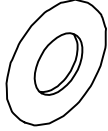
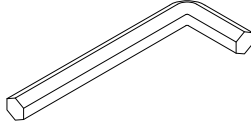
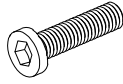
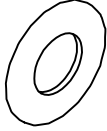
ASSEMBLY INSTRUCTION

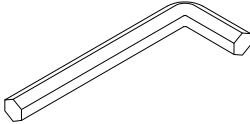
CONSOLE TABLE

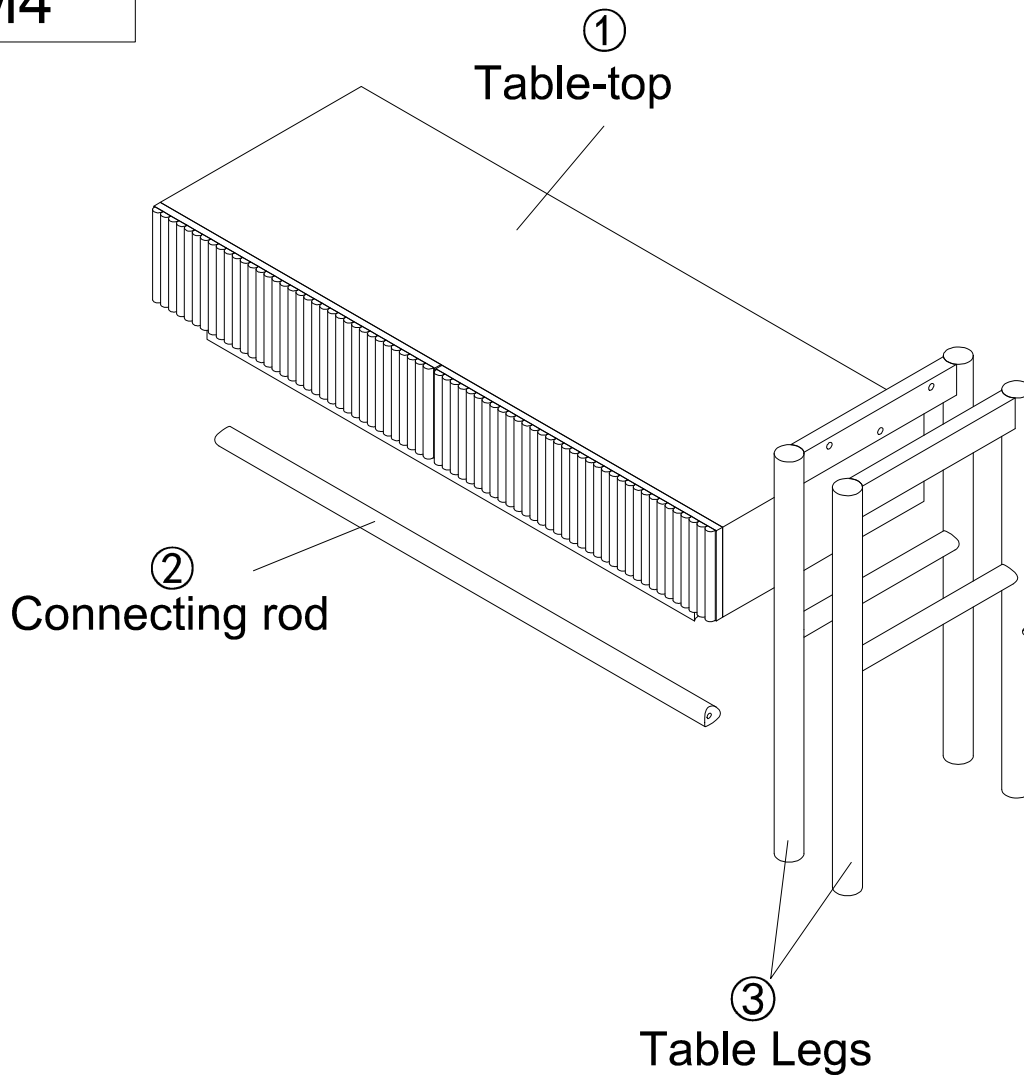


Packing list

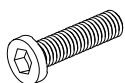
Please check the contents to make sure you have received all components and accessories before installing.

<p>A×6</p>  <p>M8*45mm</p>	<p>B×6</p>  <p>Ø18mm</p>	<p>C×1</p>  <p>M5</p>	<p>D×2</p>  <p>M6*45mm</p>	<p>E×2</p>  <p>Ø15mm</p>
---	---	--	---	---

<p>F×1</p>  <p>M4</p>

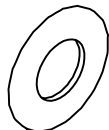


A×6



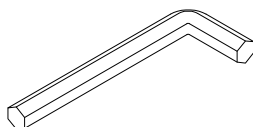
M8*45mm

B×6

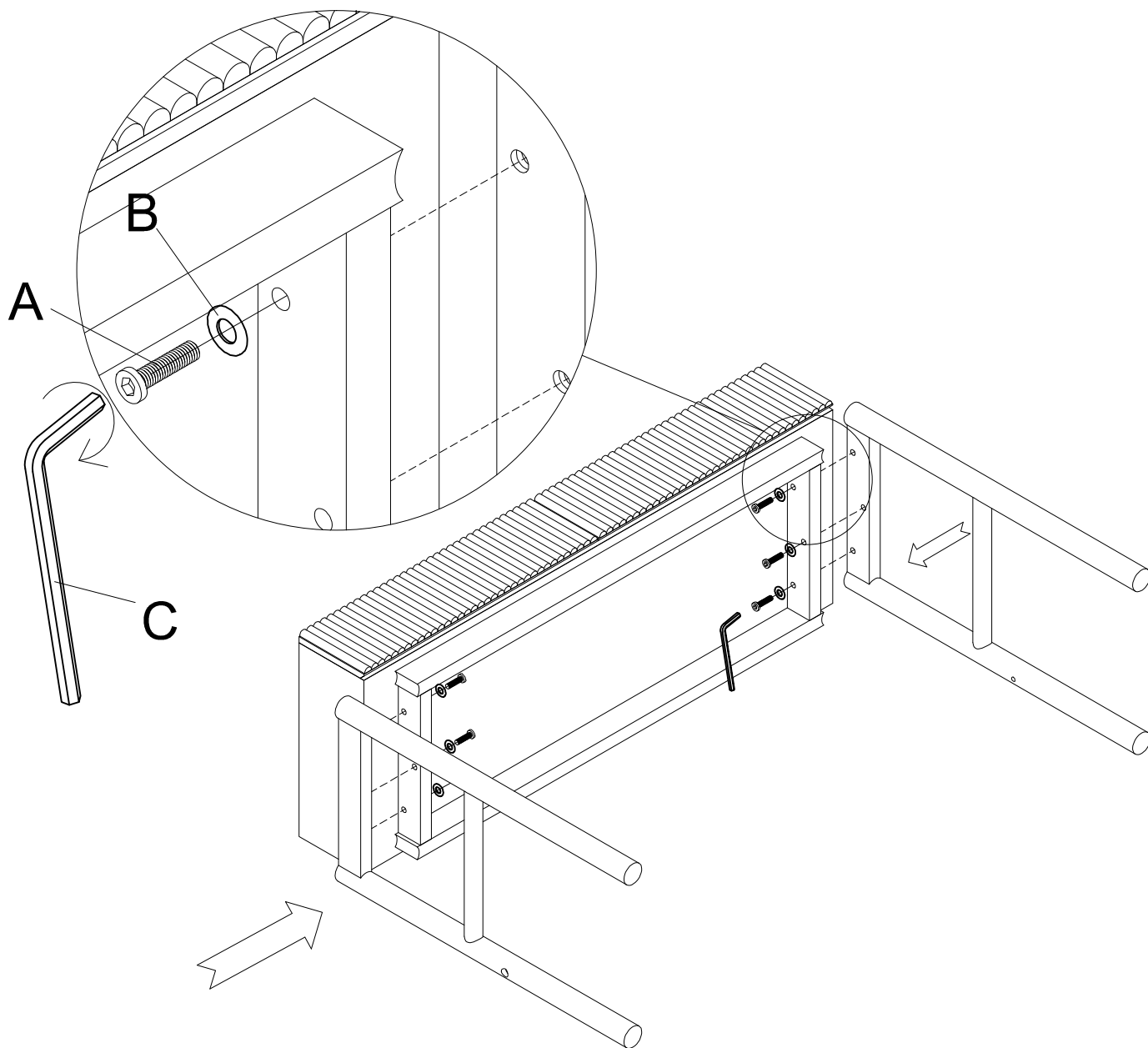


∅18mm

C×1



M5

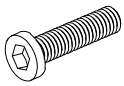


Step 1. Use parts "A" and "B" to attach the table legs to the table top.

NOTE:

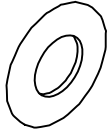
1. All 6 holes need to be installed before proceeding to the next step.

D×2



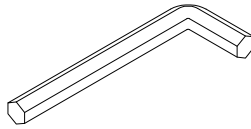
M6*45mm

E×2

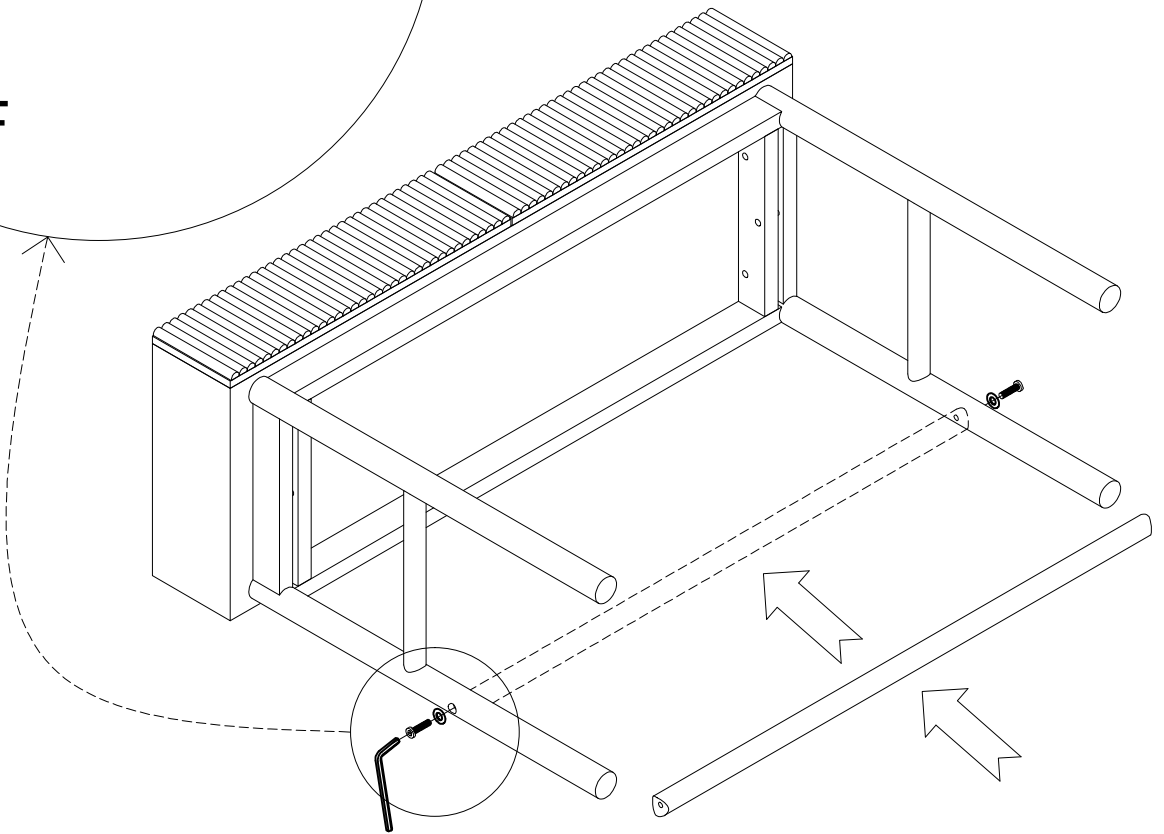
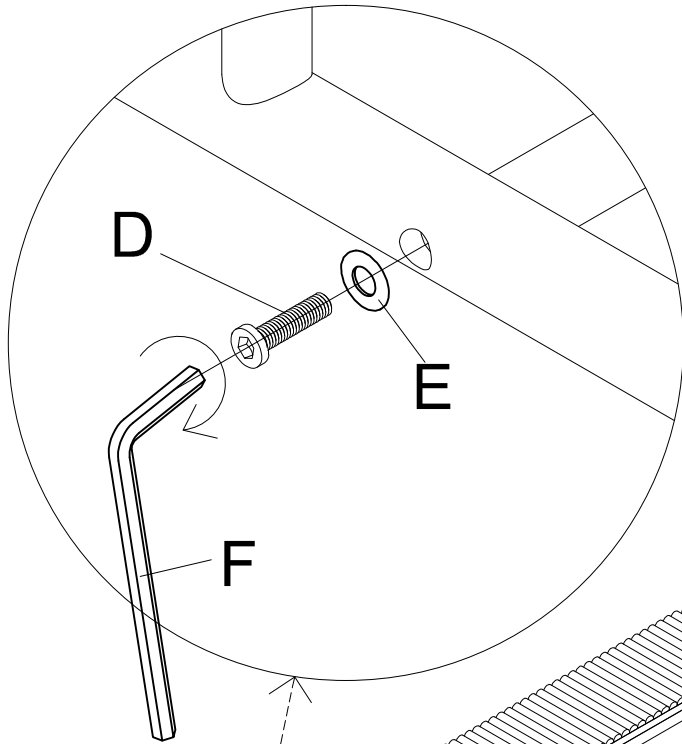


∅15mm

F×1



M4



Step 2. Use parts "D" and "E" to attach the connecting rods to the table legs.

NOTE:

1. All 2 holes need to be installed before proceeding to the next step.