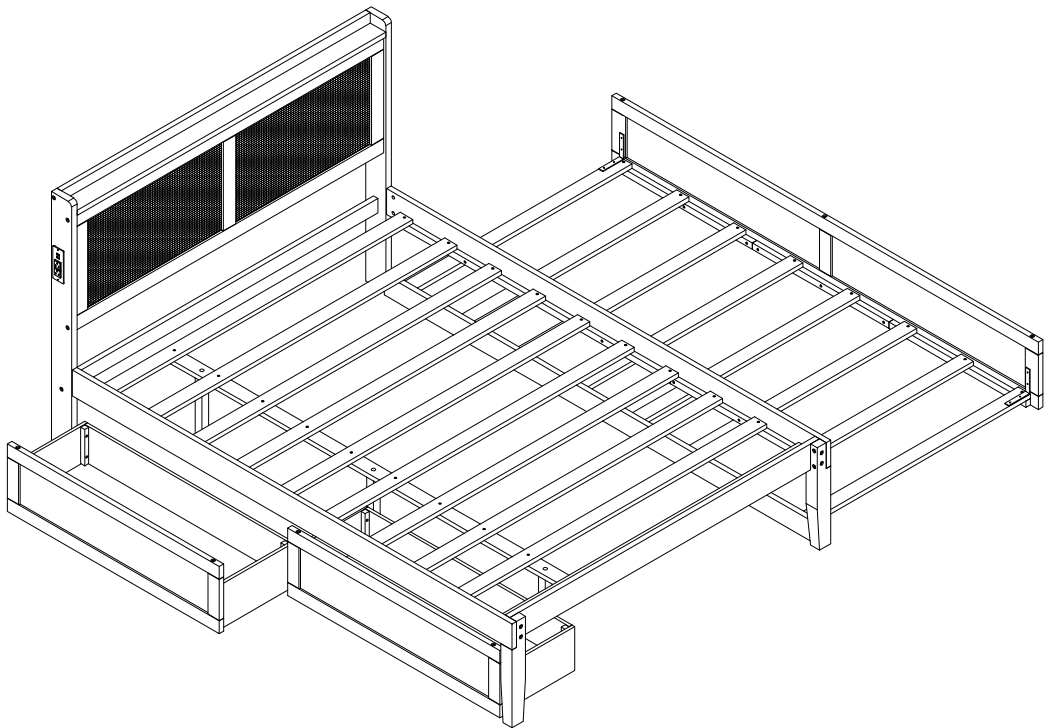


ASSEMBLY INSTRUCTIONS

Queen size-Wood Rattan platform bed with Light & USB

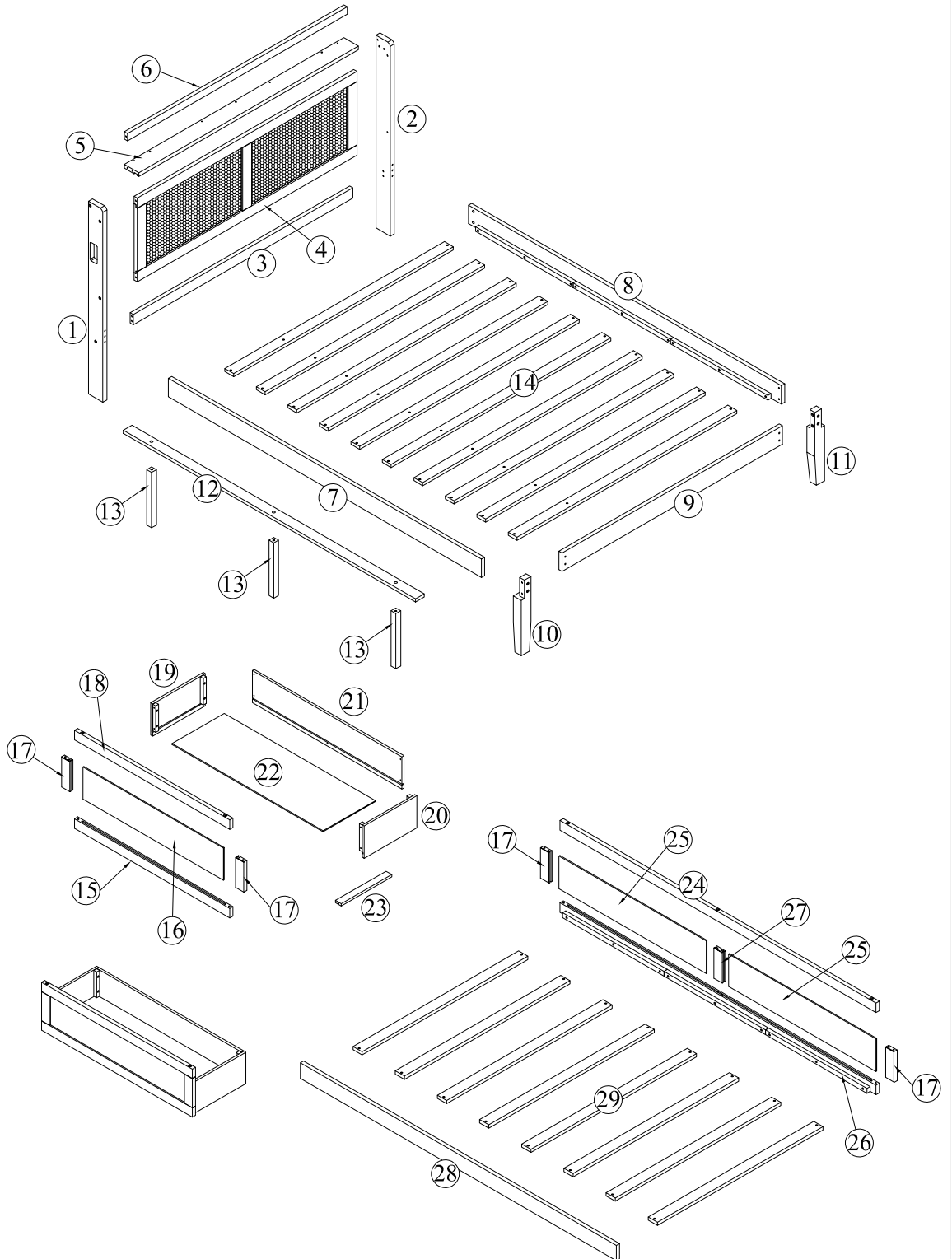


This set is included 2 boxes if don't receive full 2 boxes please contact our customer service team.


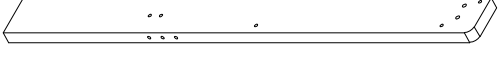
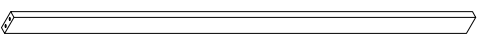
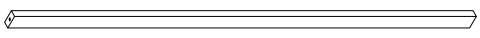

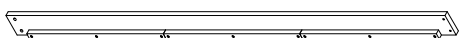

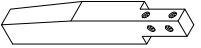
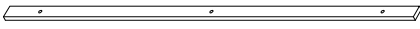
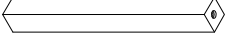
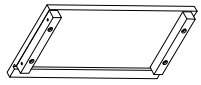
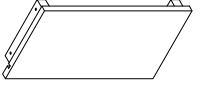
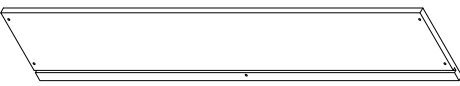




WF317903/904

Detail View

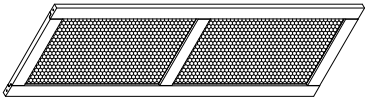
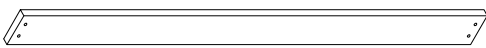

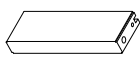
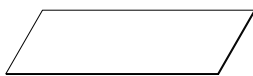
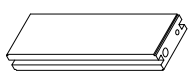

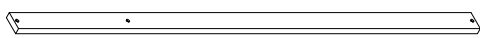

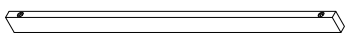
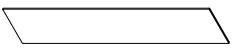
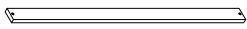
WARNING:
Keep small components out of the reach of children



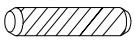


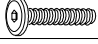
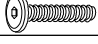




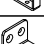
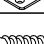
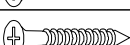
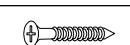
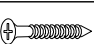


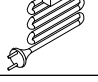
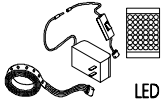

Part List : WF317903

<div style="border: 1px solid black; padding: 5px;"> <p>1</p>  <p style="text-align: center;">Left Hind Leg - 1pc</p> </div>	<div style="border: 1px solid black; padding: 5px;"> <p>2</p>  <p style="text-align: center;">Right Hind Leg - 1pc</p> </div>
<div style="border: 1px solid black; padding: 5px;"> <p>3</p>  <p style="text-align: center;">Lower Horizontal Bar - 1pc</p> </div>	<div style="border: 1px solid black; padding: 5px;"> <p>6</p>  <p style="text-align: center;">Quiz After Above - 1pc</p> </div>
<div style="border: 1px solid black; padding: 5px;"> <p>7</p>  <p style="text-align: center;">Shoulder Bed Left Side - 1pc</p> </div>	<div style="border: 1px solid black; padding: 5px;"> <p>8</p>  <p style="text-align: center;">Right Shoulder Bed - 1pc</p> </div>
<div style="border: 1px solid black; padding: 5px;"> <p>10</p>  <p style="text-align: center;">Left Foot of Bed - 1pc</p> </div>	<div style="border: 1px solid black; padding: 5px;"> <p>11</p>  <p style="text-align: center;">Bed Foot Right - 1pc</p> </div>
<div style="border: 1px solid black; padding: 5px;"> <p>12</p>  <p style="text-align: center;">Bed Support Bar - 1pc</p> </div>	<div style="border: 1px solid black; padding: 5px;"> <p>13</p>  <p style="text-align: center;">Father's Foot - 3pcs</p> </div>
<div style="border: 1px solid black; padding: 5px;"> <p>19</p>  <p style="text-align: center;">Left Pullout Side Panel - 2pcs</p> </div>	<div style="border: 1px solid black; padding: 5px;"> <p>20</p>  <p style="text-align: center;">Right Drawer Side Panel - 2pcs</p> </div>
<div style="border: 1px solid black; padding: 5px;"> <p>21</p>  <p style="text-align: center;">Pull-out Rear Panel - 2pc</p> </div>	<div style="border: 1px solid black; padding: 5px;"> <p>23</p>  <p style="text-align: center;">Drawer Bottom Puzzle - 2pcs</p> </div>
<div style="border: 1px solid black; padding: 5px;"> <p>24</p>  <p style="text-align: center;">Upper Horizontal Bar - 1pc</p> </div>	<div style="border: 1px solid black; padding: 5px;"> <p>26</p>  <p style="text-align: center;">Lower Horizontal Bar - 1pc</p> </div>
<div style="border: 1px solid black; padding: 5px;"> <p>28</p>  <p style="text-align: center;">Horizontal Bar Behind the Drawer - 1pc</p> </div>	

Part List : WF317904

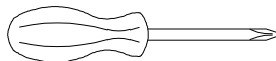
<div style="border: 1px solid black; padding: 5px; margin-bottom: 5px;"> 4  <p style="text-align: center;">Cloud Frame - 1pc</p> </div> <div style="border: 1px solid black; padding: 5px; margin-bottom: 5px;"> 9  <p style="text-align: center;">Bed End Bar - 1pc</p> </div> <div style="border: 1px solid black; padding: 5px; margin-bottom: 5px;"> 15  <p style="text-align: center;">Horizontal Puzzle Under Drawer - 2pcs</p> </div> <div style="border: 1px solid black; padding: 5px; margin-bottom: 5px;"> 17  <p style="text-align: center;">Quiz Standing - 6pcs</p> </div> <div style="border: 1px solid black; padding: 5px; margin-bottom: 5px;"> 22  <p style="text-align: center;">Drawer Bottom Board - 2pcs</p> </div> <div style="border: 1px solid black; padding: 5px;"> 27  <p style="text-align: center;">Standing in the Middle Puzzle - 1pc</p> </div>	<div style="border: 1px solid black; padding: 5px; margin-bottom: 5px;"> 5  <p style="text-align: center;">Upper Shelf Board - 1pc</p> </div> <div style="border: 1px solid black; padding: 5px; margin-bottom: 5px;"> 14  <p style="text-align: center;">Slat - 10pcs</p> </div> <div style="border: 1px solid black; padding: 5px; margin-bottom: 5px;"> 16  <p style="text-align: center;">Drawer Drawer Surface Board - 2pcs</p> </div> <div style="border: 1px solid black; padding: 5px; margin-bottom: 5px;"> 18  <p style="text-align: center;">Horizontal Puzzle On Drawer - 2pcs</p> </div> <div style="border: 1px solid black; padding: 5px; margin-bottom: 5px;"> 25  <p style="text-align: center;">Face Planks - 2pcs</p> </div> <div style="border: 1px solid black; padding: 5px;"> 29  <p style="text-align: center;">Slat - 8pcs</p> </div>
---	--

Hardware List +WF317903

A		Wooden dowel 8 x 30 mm	27
B		Hex-head bolt - Ø1/4" x 125 mm	4
C		Hex-head bolt - Ø1/4" x 60 mm	8
D		Hex-head bolt - Ø1/4" x 50 mm	4
E		Hex-head bolt - Ø1/4" x 40 mm	4
F		Horizontal-hole bolt - 1/4 x 15 mm	12
G		Hex-Head screw - Ø6 x 50 mm	3
H		Wheels	4
I		Sliding Wheel	8
J		L big bracket - 3x18x95x95	2
K		L small bracket - 2x25x25x30	2
L		Screw # 4 x 30mm	50
M		Screw # 4 x 25mm	18
N		Screw # 3.5 x 15mm	26
O		Screw # 3.5 x 10mm	32
P		Hex-Head screw - Ø6 x 70 mm	14
Q		USB Power Outlet	1
R		LED String Lights	1
S		K 4 mm	1

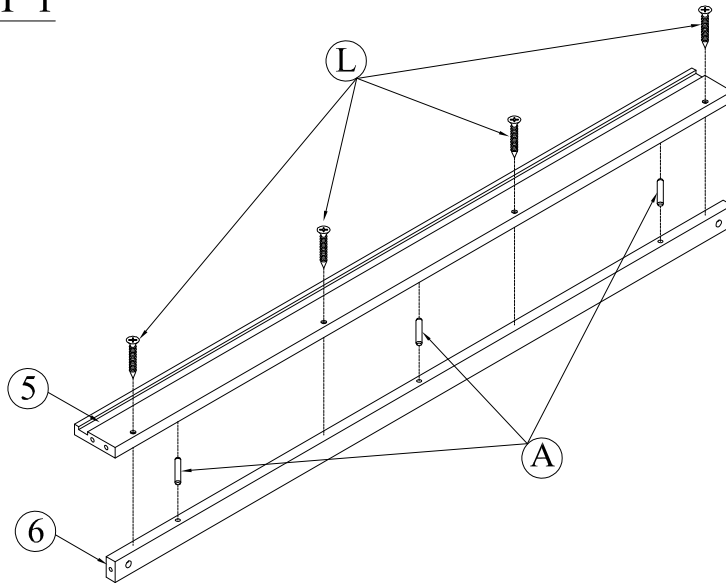
Please sort out all parts before you begin to assembly the item. This is to make sure you always use the correct part.



ASSEMBLY TOOLS REQUIRED (NOT INCLUDED)



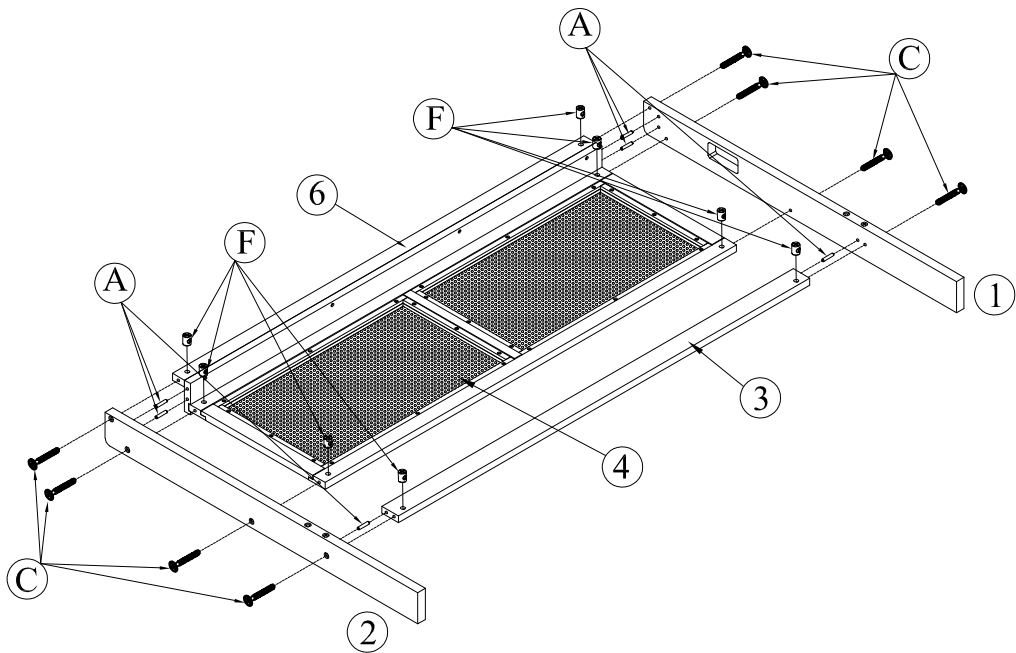
PLEASE BE CAREFUL DO NOT DAMAGE THE HOLE
POSITION WHEN YOU USE POWER TOOLS !




STEP 1



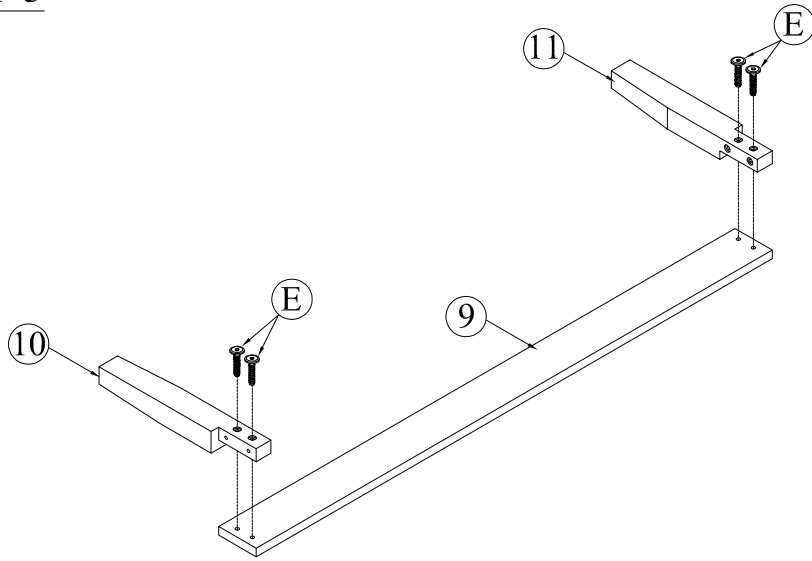
A	L
	
3PCS	4PCS


STEP 2



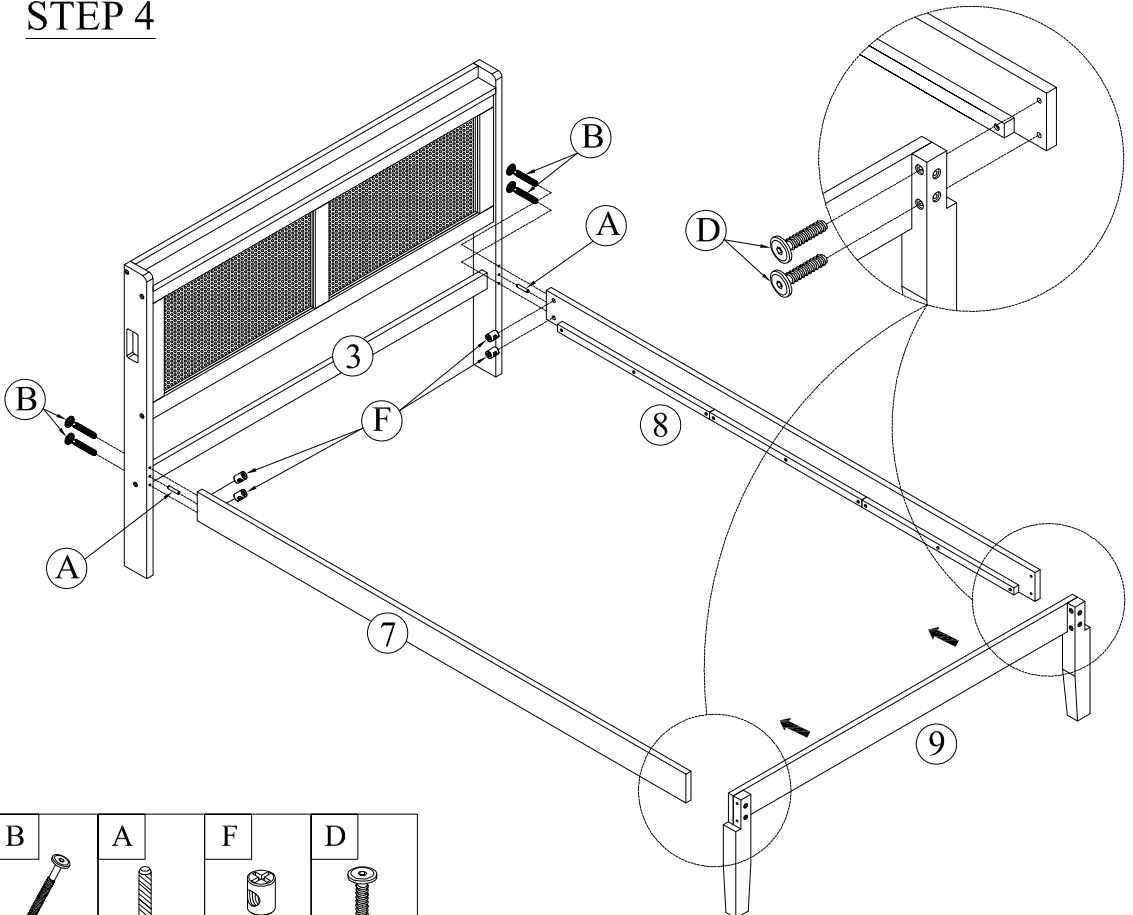
C	A	F
		
8PCS	6PCS	8PCS





STEP 3



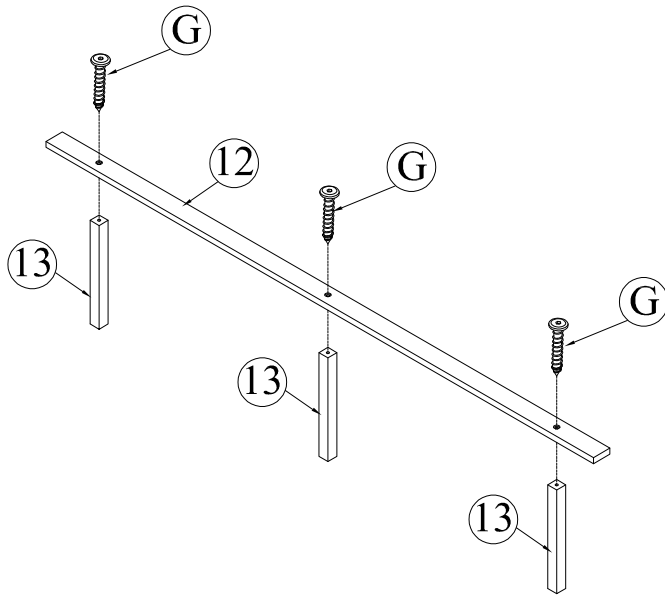
E

4PCS


STEP 4



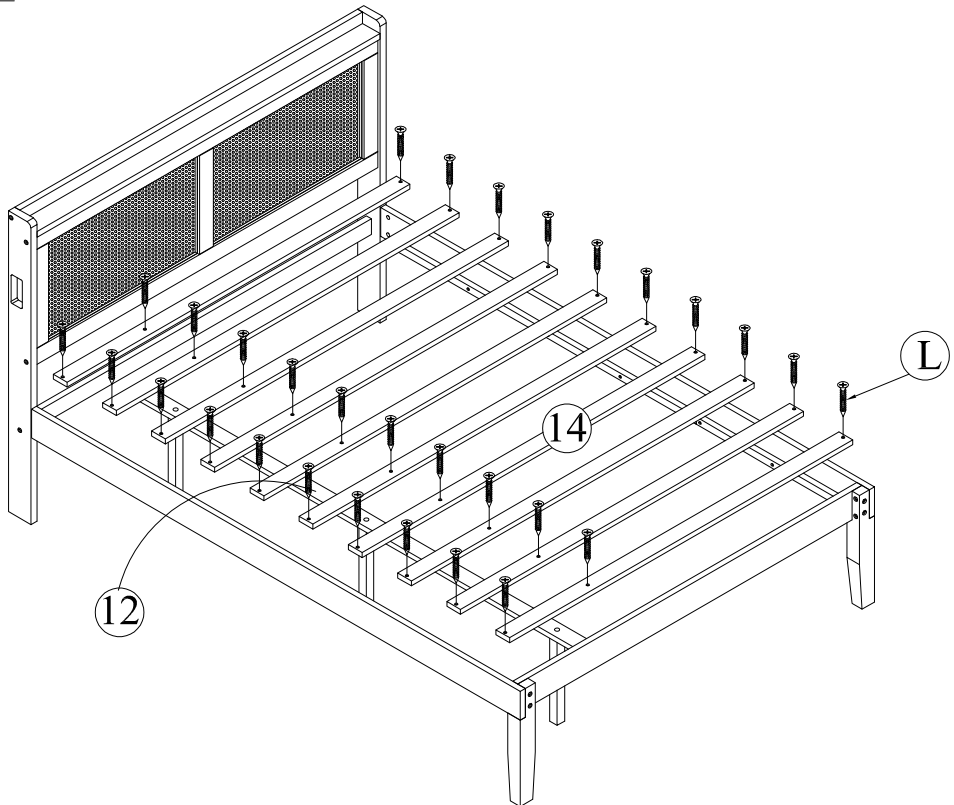
B	A	F	D
			
4PCS	2PCS	4PCS	4PCS


STEP 5



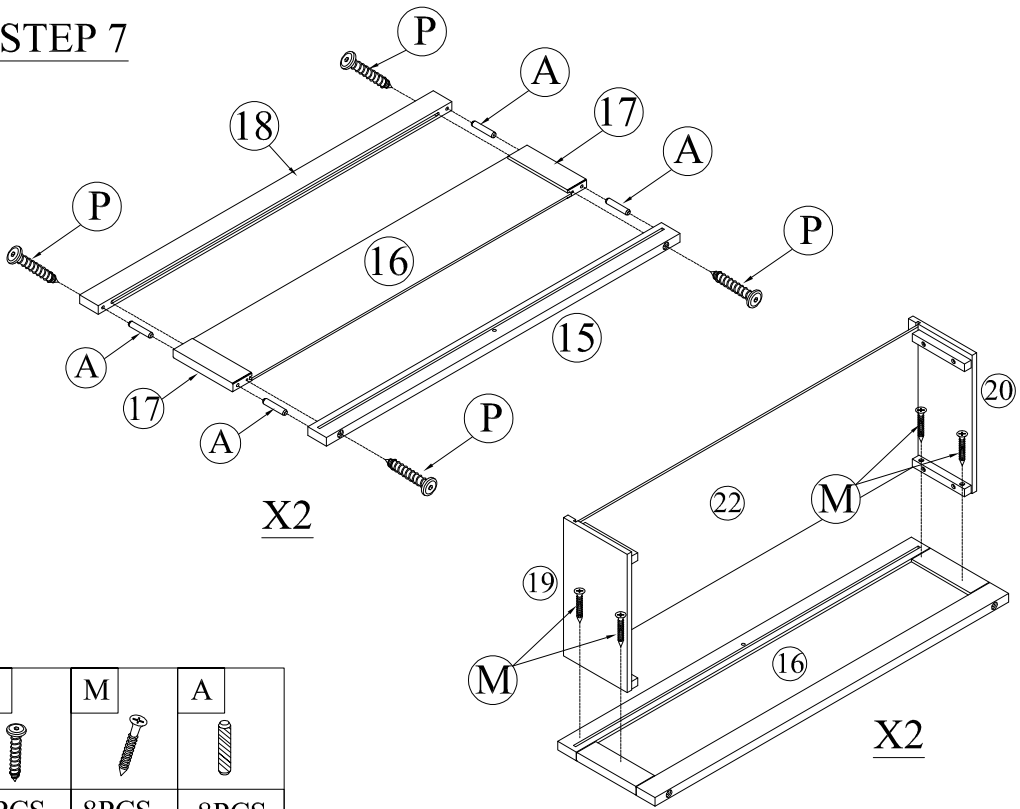
G

3PCS




STEP 6



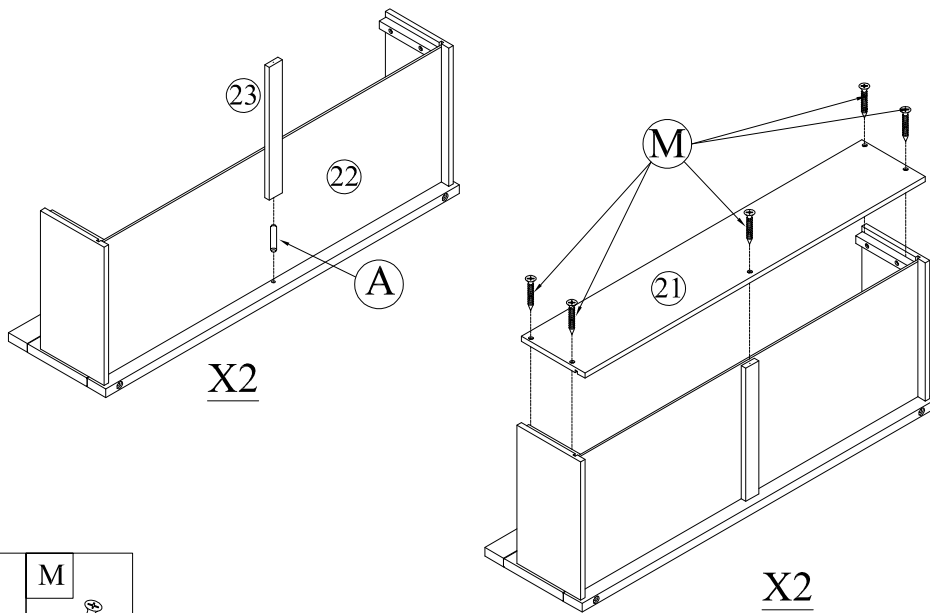
L

30PCS



STEP 7



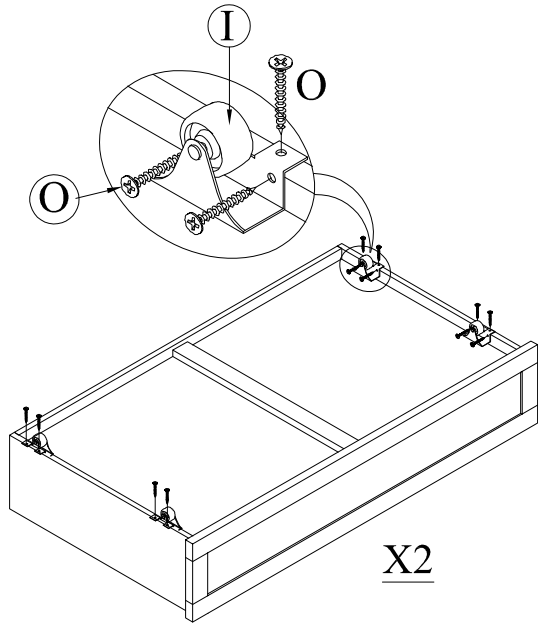
P	M	A
		
8PCS	8PCS	8PCS



STEP 8



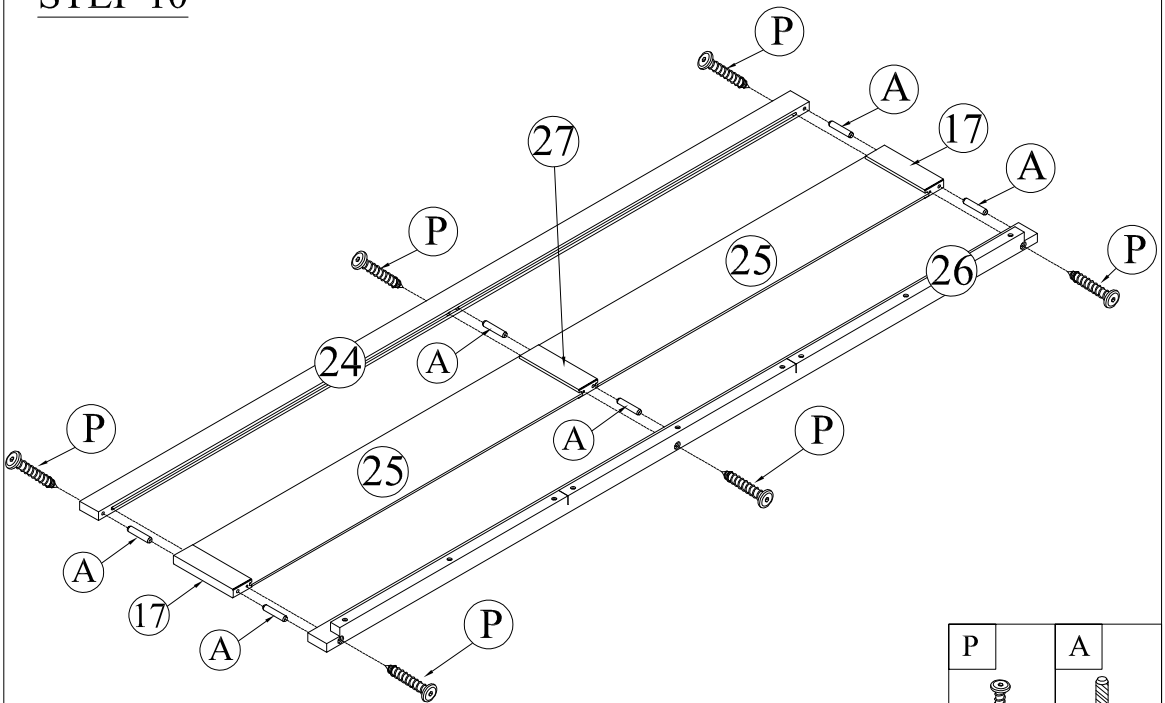
A	M
	
2PCS	10PCS



STEP 9



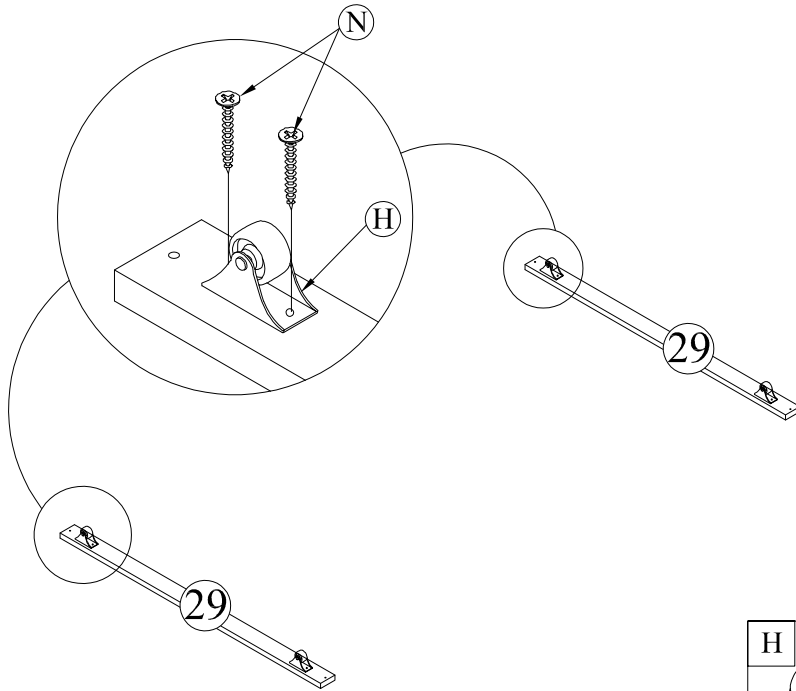
O	I
	
32PCS	8PCS

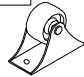

STEP 10



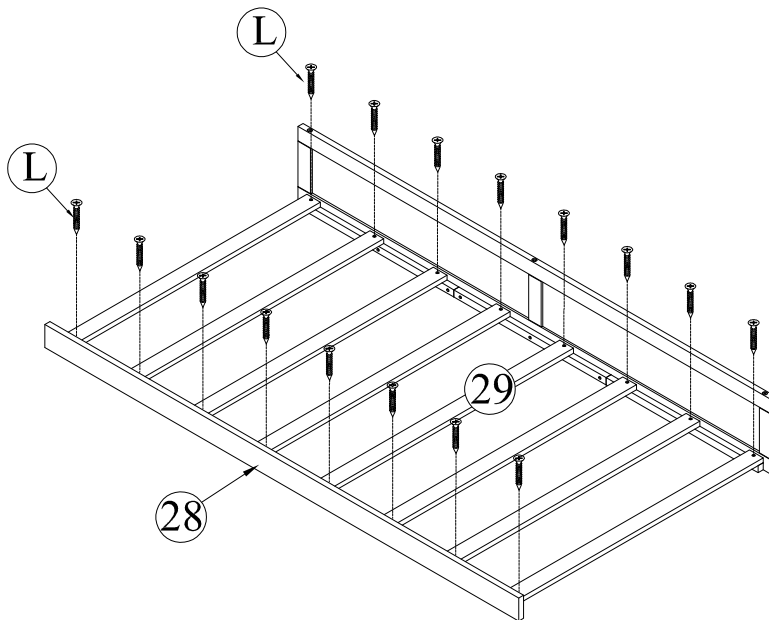
P	A
	
6PCS	6PCS


STEP 11



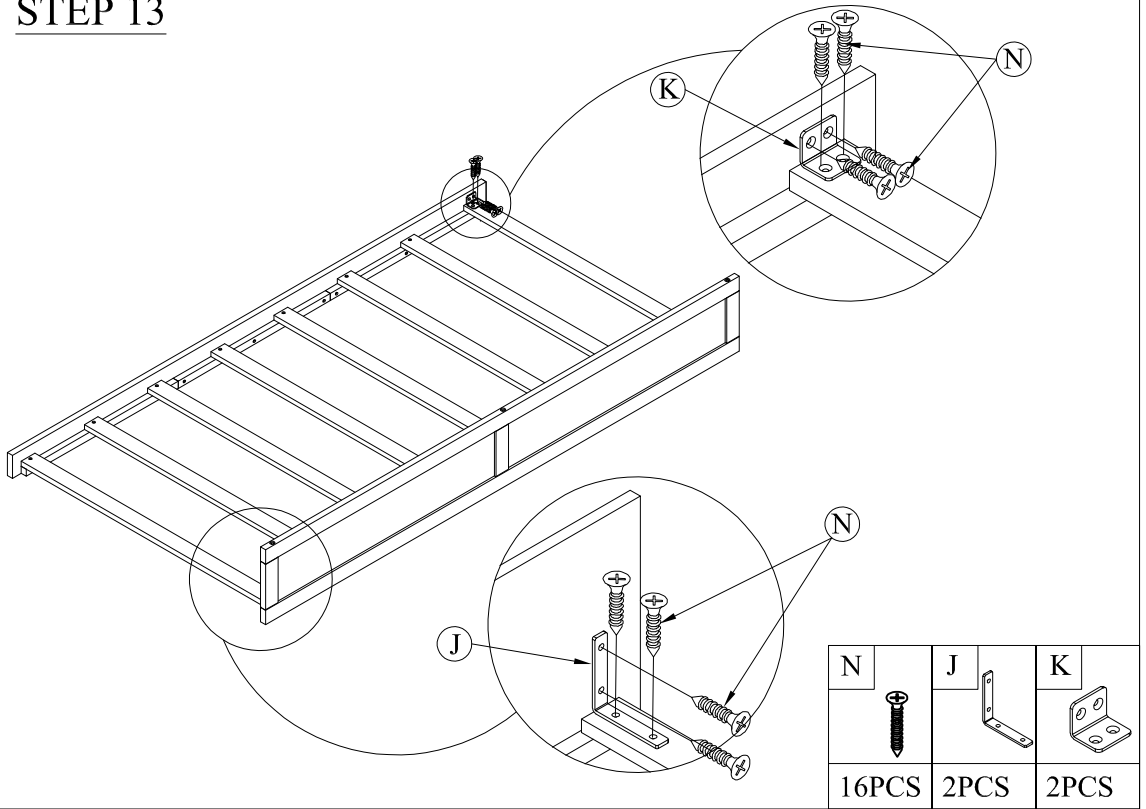
H	N
	
4PCS	8PCS

STEP 12

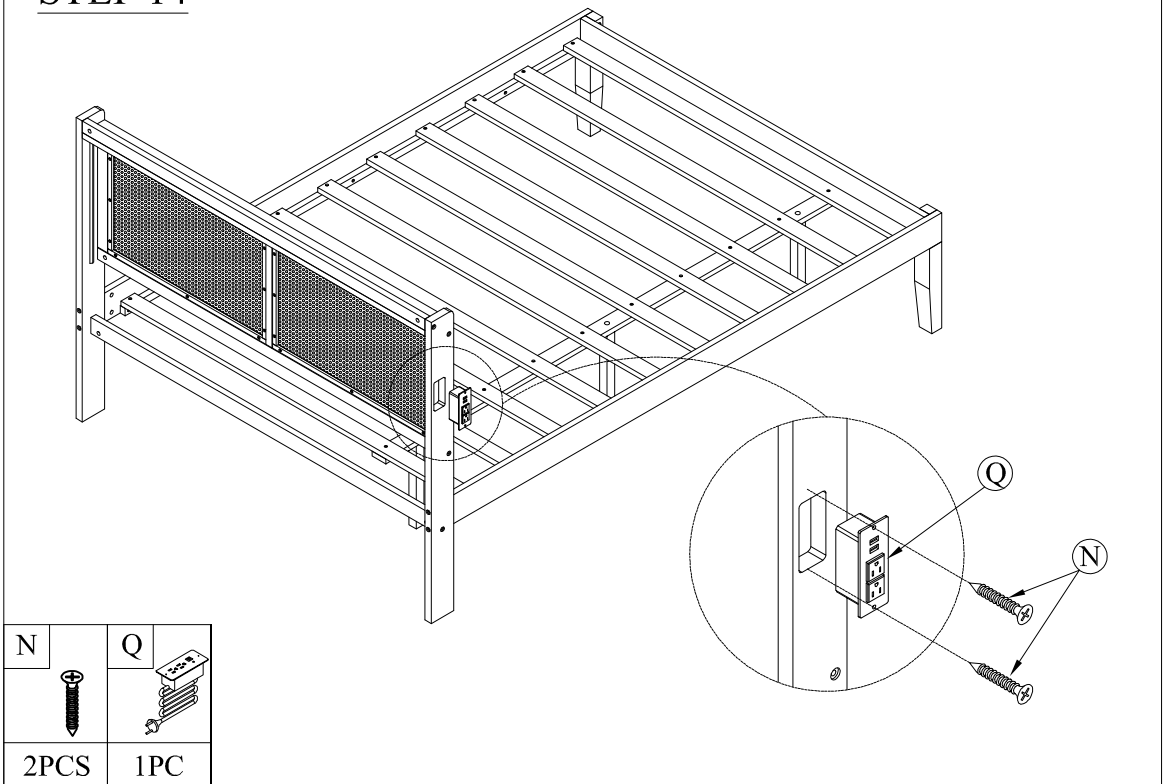


L

16PCS

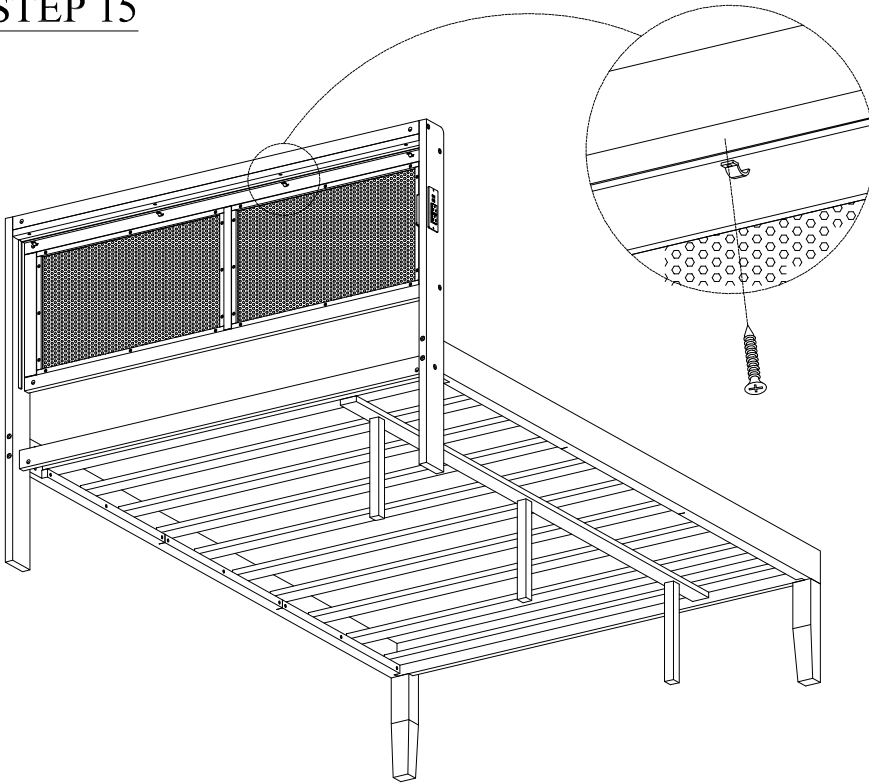
STEP 13

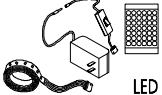


STEP 14



STEP 15



R
 LED
1PC

COMPLETE

