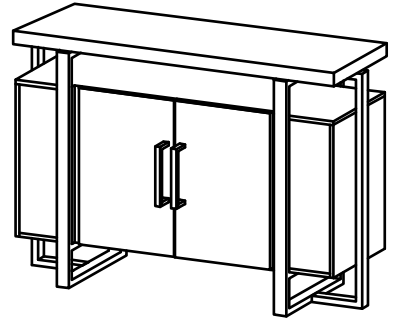


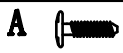
Parts List

NO	Components	QTY
01	cabinet	1
02	handle	2

Assembly Sheet



Hardware list



M6 x 35MM 4 PCS

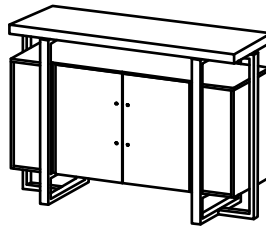


4 PCS



M6 adjustable leg 4 x 4MM 1 PCS

01



02



M6 x 35MM 4 PCS



4 PCS

M6 adjustable leg

01

