

## NOTICE

\*Please make sure that you have all parts indicated and they are in good condition before you begin assembly of this item. Refer to part list and hardware list below for guidance.

\*This item should be assembled on a soft surface to prevent scratching the finish during assembly.

\*This item may require periodic tightening.

\*If you are having difficulty, our friendly Customer Care team is always here to help.

## PREPARATION

\* Before beginning assembly of product, make sure all parts are present. Compare parts with part contents list and hardware contents list.

\* If any part is missing or damaged, do not attempt to assemble the product.

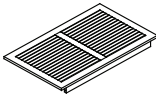
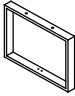


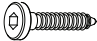

\* Estimated Assembly Time: 10 minutes.

\* **Tools Required for Assembly (included): Allen Key**

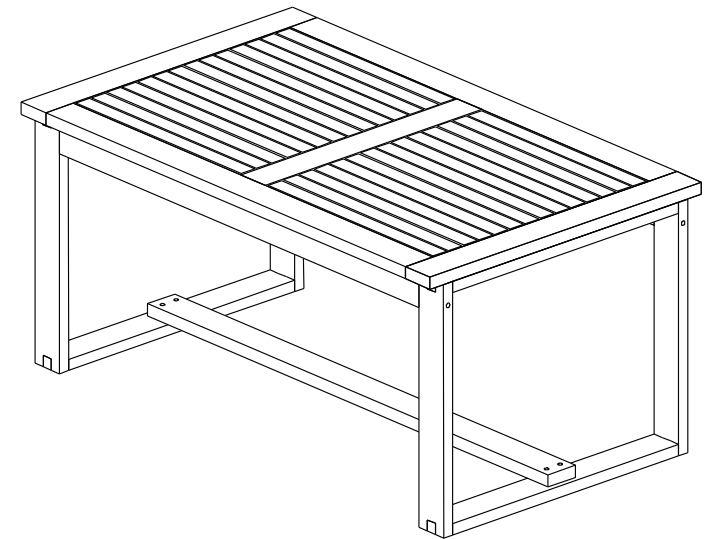
## CARE AND MAINTENANCE

Store outdoor furniture indoors or cover well when not in use. Dust regularly with small brush or vacuum. Spills should be taken care of immediately before they harden or stain with a slightly damp sponge.

### Part List and Hardware List

PIECE	DESCRIPTION	PICTURE	QUANTITY
A	Top table		1X
B	Frame leg		2X
C	Cross bar of leg		1X
HW1	Screw: M7 x0.5 x90 mm		4X
HW2	Screw: M6 x0.5 x30 mm		8X
HW3	Allen key 4		1X

Product Dimensions: 23.6" W x 39.4" D x 17.7" H



**WARNING**



**Weight Capacity : 40 lbs**

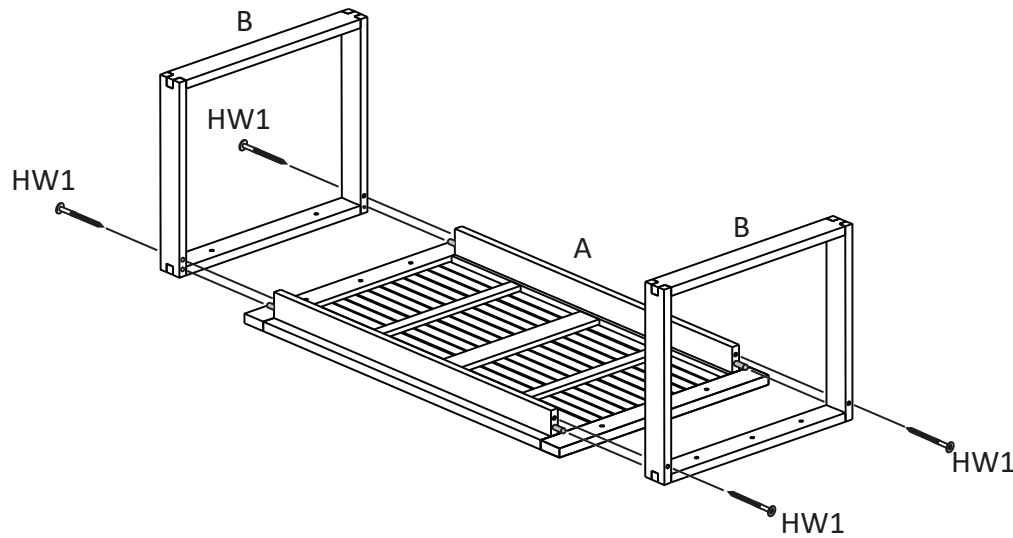
**Warning : Do not stand on table**

**Warning : Do not over torque bolts / screws**

# PREPARATION

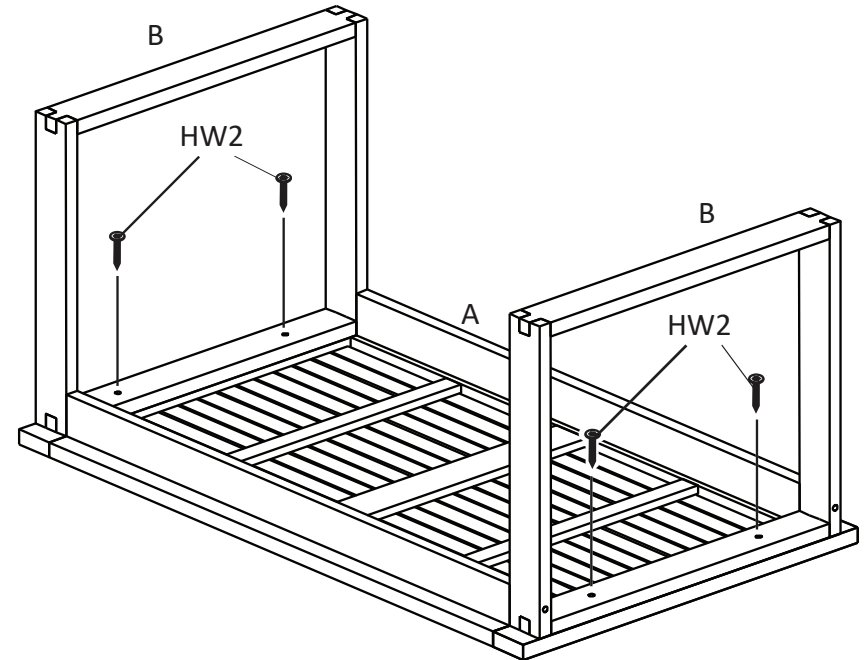
- \*Before beginning assembly of product, make sure all parts are present. Compare parts with package contents list and hardware contents list.
- \*If any part is missing or damaged, do not attempt to assemble the product.
- \* Estimated Assembly Time : 10 minutes.
- \* Tools Required for Assembly (included): Allen Key
- \* If you are having difficulty, our friendly Customer care team is always here to help.

1



Step 1  
Attach front leg (B) to bar (A), using Allen bolt (HW1), tighten with allen key (HW3)

2

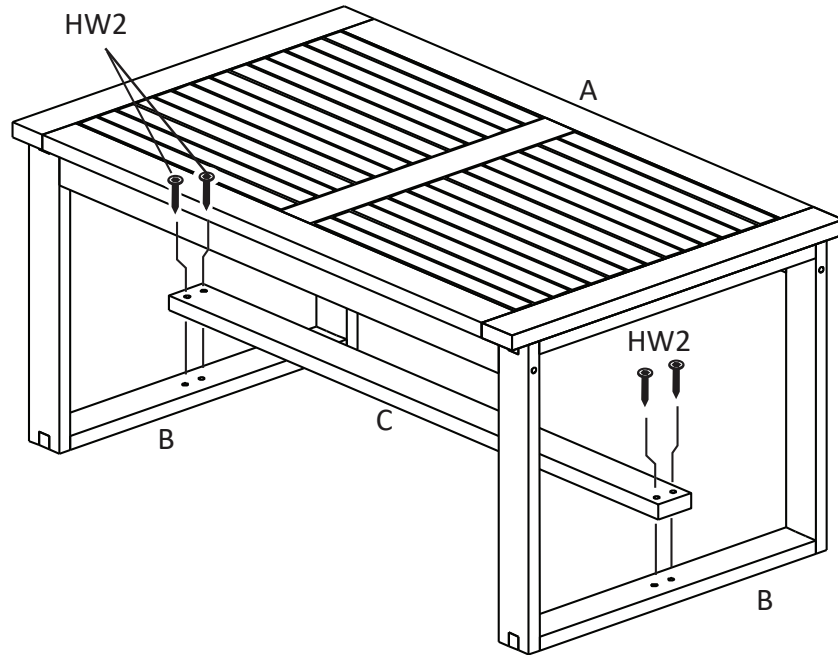


Step 2  
Using Screw (HW2) to attach to Table top then tighten by allen key (HW3)

# PREPARATION

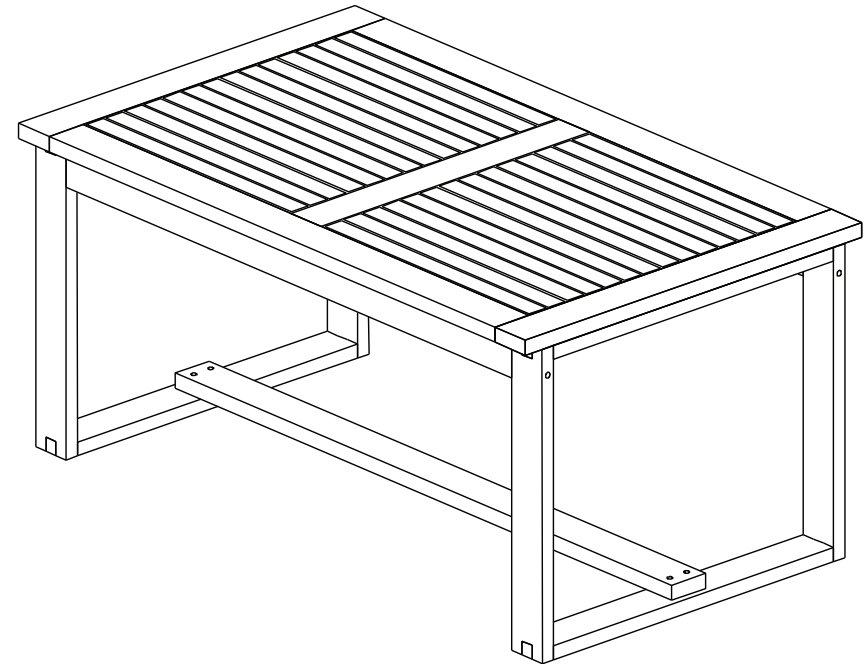
- \*Before beginning assembly of product, make sure all parts are present. Compare parts with package contents list and hardware contents list.
- \*If any part is missing or damaged, do not attempt to assemble the product.
- \* Estimated Assembly Time : 10 minutes.
- \* Tools Required for Assembly (included): Allen Key
- \* If you are having difficulty, our friendly Customer care team is always here to help.

1



**Step 3**  
Attach cross bar (C) to frame leg (B), using screw (HW2) to tighten by allen key (HW3).

2



**Step 4**

Caution: This Table can only be used on a flat, level surface.