





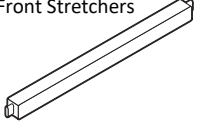

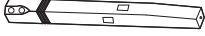
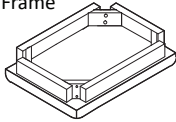
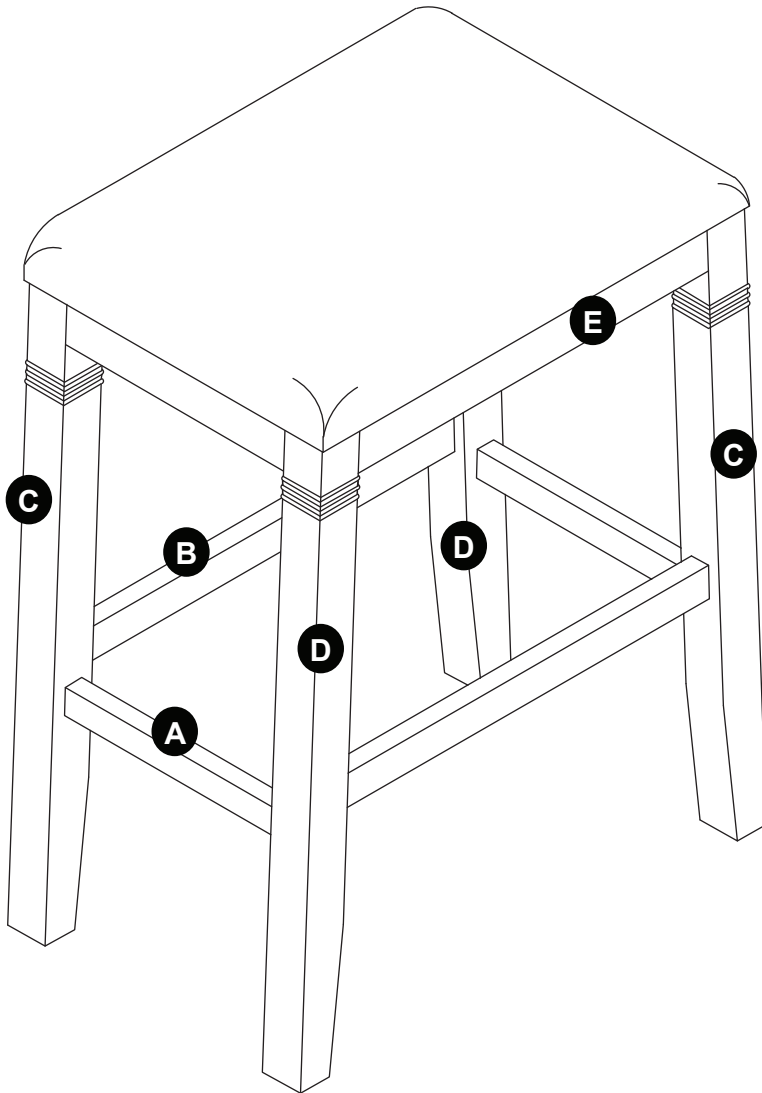


Examine all packaging material for small parts that may have come loose during shipment. Periodic checks are recommended to insure that all components are in proper position, tight and free from damage. Keep this assembly instruction for future reference. Adult assembly is required. This product is designed for residential use only.

CODE	QTY	HARDWARE
1	8	Ø1/4" 2-1/4" Allen Bolts 
2	8	Ø1/4" Spring Washers 
3	8	Ø1/4" Flat Washers 
4	8	Ø8*45mm Screws 
5	1	4mm Allen Wrench 

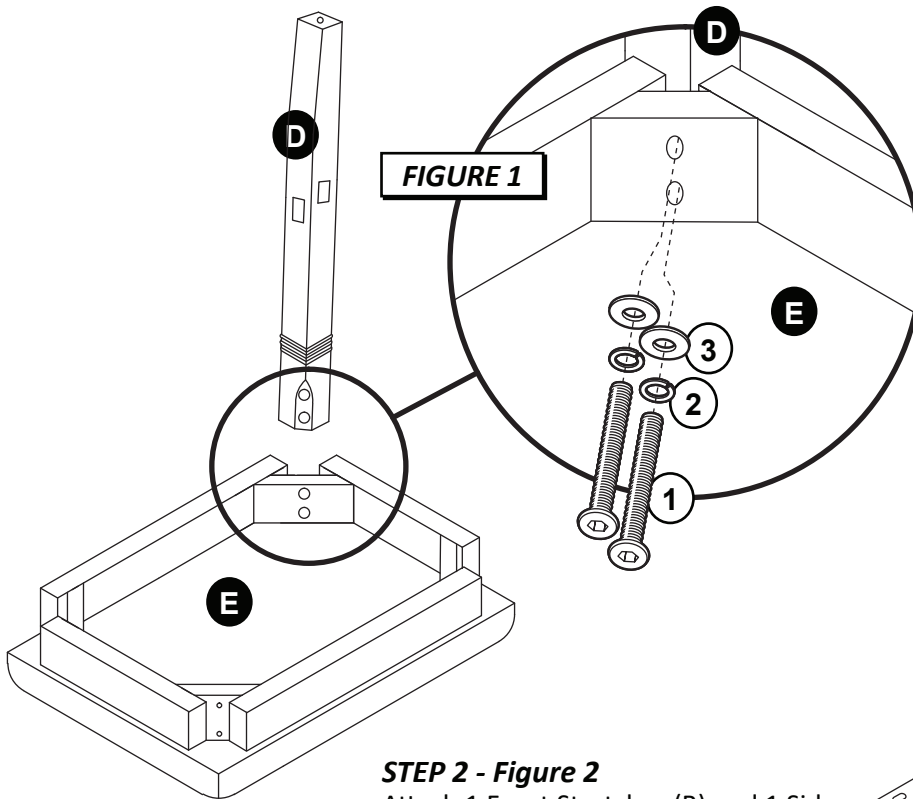
CODE	QTY	COMPONENTS	CODE	QTY	COMPONENTS
A	2	Side Stretchers 	B	2	Front Stretchers 
C	2	Right Legs 	D	2	Left Legs 
E	1	Seat Frame 			



## WARNING

- Do not let any sharp objects touch or rub the surface of the product.
- When assembling, do not let children play around the working area.
- Please confirm all parts are correct before starting the assembly process.
- Do not tighten all bolts and screws completely until the entire unit has been assembled and set up.
- Be careful if using power tools as they can over tighten screws and strip threads.

**CARE & MAINTENANCE:** The touch of a soft cloth is all the maintenance the finish will ever need. Please do not use harsh or abrasive cleaners for polishing, as they may cause damage to the finish. Periodic checks are recommended to make sure that all hardware is securely tightened.



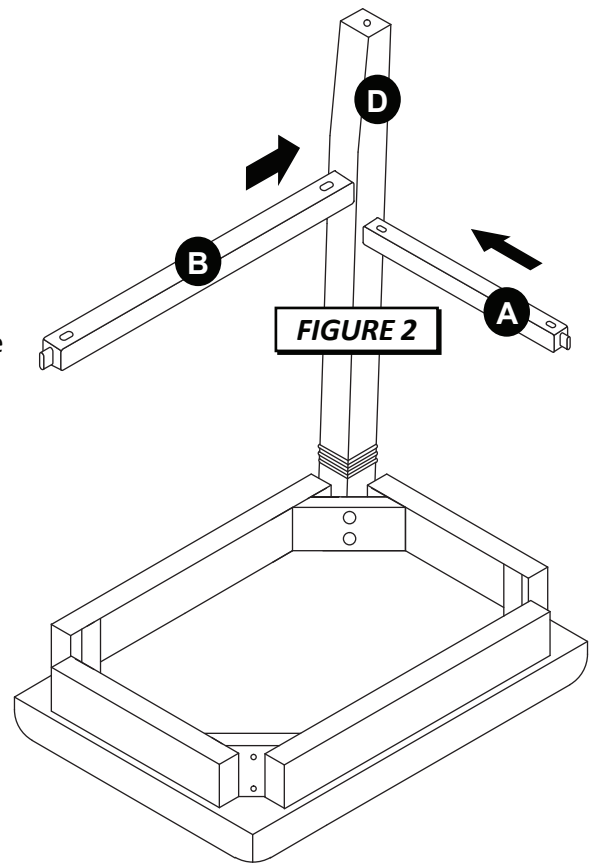
**FIGURE 1**

**STEP 1 - Figure 1**

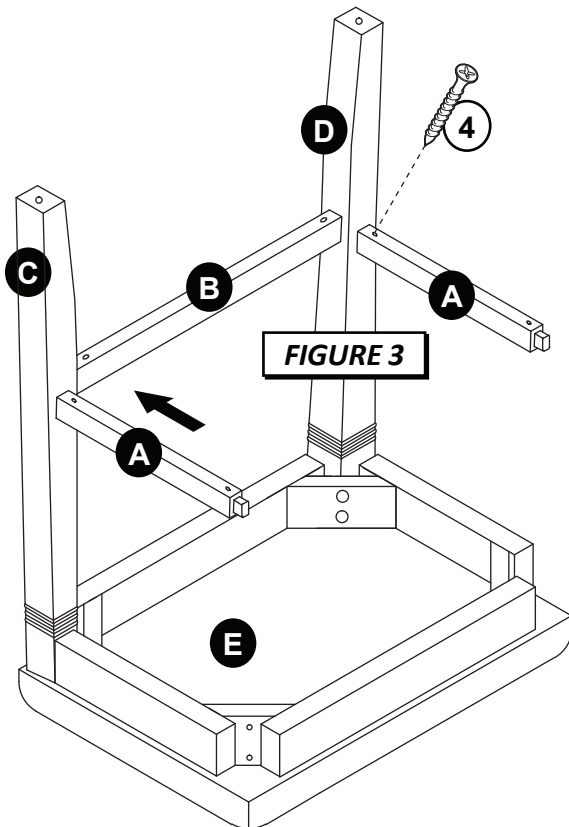
Begin assembly by attaching one Left Leg (D) to Seat Frame (E) using 2 Allen Bolts (1), 2 Spring Washers (2), and 2 Flat Washers (3).

**STEP 2 - Figure 2**

Attach 1 Front Stretcher (B) and 1 Side Stretcher (A) into Left Leg (D).



**FIGURE 2**



**FIGURE 3**

**STEP 3 - Figure 3**

Attach Right Leg (C) into Seat Frame (E) and onto Front Stretcher (B). Secure Right Leg (C) to Seat Frame (E) using 2 Allen Bolts (1), 2 Spring Washers (2), and 2 Flat Washers (3). Insert remaining Side Stretcher (A) into Right Leg (C). Secure stretchers with Screws (4).

**STEP 4**

Attach remaining Legs (C & D) and remaining Front Stretcher (B) to Seat Frame (E). Tighten all bolts with Allen Wrench (5) provided. The assembly is now complete.