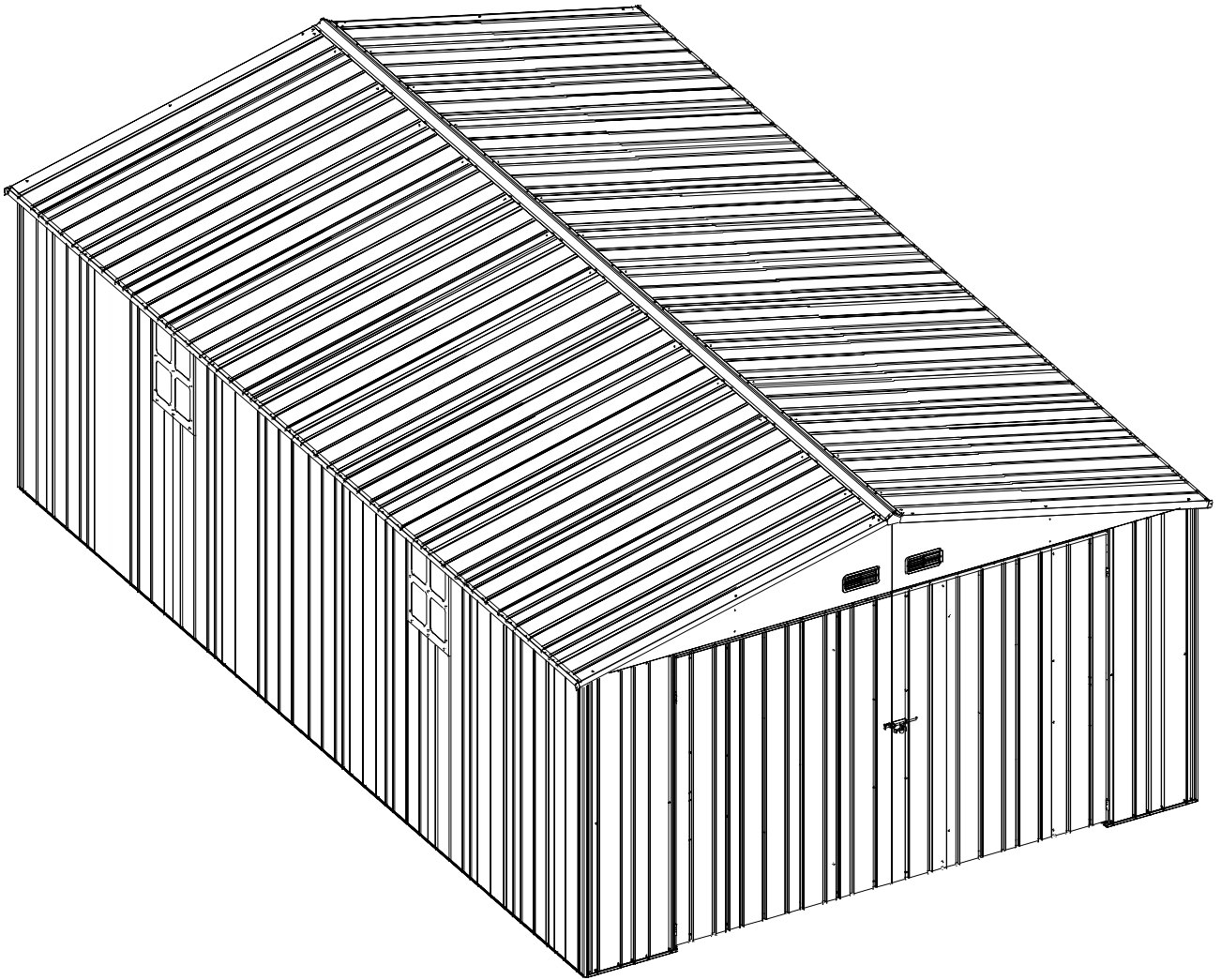


# Assembly Instructions



## Metal Shed 13.2X20.7FT Assembly Instruction

SKU:

YSS105-2A1A1(BOX1)

YSS105-2A1A2(BOX2)

YSS105-2A1A3(BOX3)

YSS105-2A1A4(BOX4)

YSS105-2A1A5(BOX5)

Arrive in 5 separate boxes and may not be part of the same shipment; Please install the product after receiving all the packages.

Email Address:[support@wepatio.com](mailto:support@wepatio.com)

Tel: 901-347-2181

Service Time: 8 am - 5 pm (central time) Monday-Friday.

If no one picks up, please call several more times

# Assembly Instructions

1. Assembly Advice .....	Page 1
2. Parts List .....	Page 2-3
3. Door panel installation .....	Page 4- 15
4. Frame installation .....	Page 16- 68

# Customer Service Guide

Thank you for choosing our product! If you encounter missing parts, damaged packaging, or product damage upon receiving all parcels, please follow the steps below to contact our service team. We are here to assist you.

## Missing Parts

Check the Parts

Compare with the included “Parts List” (refer to page [specific page/section] of the manual) and verify the missing item’s name, specification, and quantity.

Please provide a clear photo of the parts list, highlighting the missing part(s) and its details, e.g., “Missing 5 pcs of M6×30mm screws.”

Contact Us

Phone:

Call our customer service hotline at [901-347-2181] during working hours ([8 am - 5 pm central time]). Please provide order details (order number, purchase platform, purchase date) and a clear description of the missing parts.

Email:

Send an email to [[support@wepatio.com](mailto:support@wepatio.com)] with the subject “Missing Parts Issue.” Describe the missing part(s) in the email body and attach the parts list photo and order details.

## Damaged Product or Packaging

If it affects normal use

Steps:

1. Take photos or videos clearly showing the damaged part and the extent of the damage (multi-angle shots are recommended).
2. Send the photos/videos along with your order details to [[support@wepatio.com](mailto:support@wepatio.com)] with the subject “Damaged Product Issue.”

Resolution:

We will arrange for a replacement or refund after verifying the issue.

If it does not affect normal use

Steps:

Contact our customer service team (Phone: [901-347-2181] or Email: [[support@wepatio.com](mailto:support@wepatio.com)]) with a description of the damage and attach photos or videos.

Resolution:

We will provide repair guidance or appropriate compensation

Customer Service Email: [[support@wepatio.com](mailto:support@wepatio.com)]

Friendly Reminder

To ensure efficient processing of your issue, please prepare relevant details (e.g., order number, purchase platform, purchase date) and clear photos or videos.

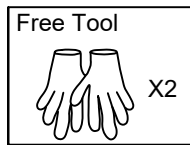
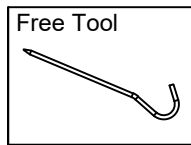
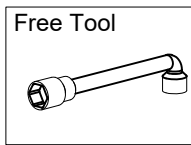
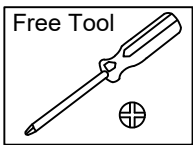
Regardless of the issue, our customer service team is dedicated to providing you with satisfactory solutions.

Thank you for your trust and support, and enjoy your product!

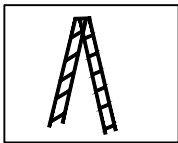
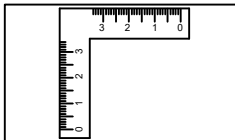
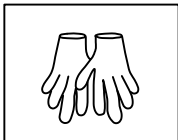
# Assembly and Maintenance Advice

1. For safety purposes, we strongly recommend that this product is assembled by at least Four people.
2. Some components have sharp metal edges. Please be careful when handling metal components. Please wear gloves, shoes and safety goggles during assembly.
3. Lay all of the components on a soft carpet or blanket to avoid any scratches or damages.
4. DO NOT climb or stand on the roof. Heavy articles should not be leaned against the Storage Shed.
5. Keep the roof and gutter clear of snow, dirt & leaves. Allowing snow to build up on the roof may damage the product.
6. Unlike steel, if the paint finish is scratched this will not harm the aluminium underneath.
7. When your product needs cleaning, use a mild detergent solution and rinse with cold clean water. Do not use acetone, abrasive cleaners or strong detergents to clean the panels.

## Tools Provided:




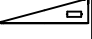
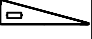
## Tools Required when Assembly (Not Provided)

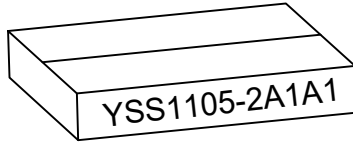


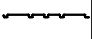


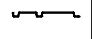

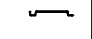
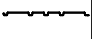
Assembly at least by two Persons



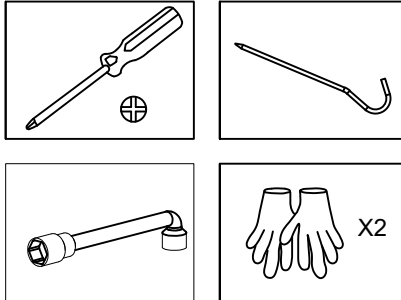
PART	NO	QTY
	1A004	20




PART	NO	QTY
	3A011	2
	3A012	2

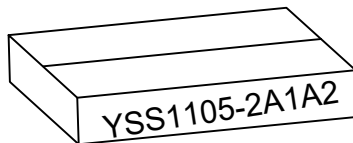



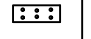



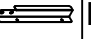














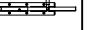
PART	NO	QTY
	1A004	10
	1G018	2
	1G017	2
	1C013	2
	1G003	1
	1D004	1
	1B004	4


Tools Provided:

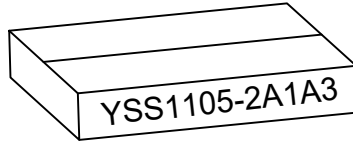




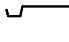











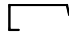
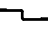



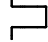

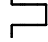
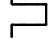
PART	NO	QTY
	D358	4
	D359	4
	Y1	4

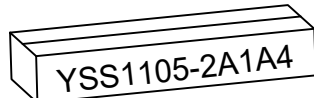



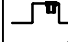

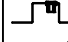














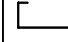

PART	NO	QTY
	D353	2
	D354	18
	D355	14
	D356	2
	D384L	2
	D384R	2
	D438	4
	D490	2
	H170	9
	H127	210
	H145	2
	H147	1
	S63 M4X12	30
	S74 M4X8	1049
	M08 M5	1
	M25 M4	1099
	S75 M4X10	54
	J156	43
	Z40 M5X40	43
	J211	4
	H164	2





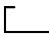
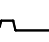
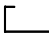



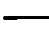
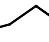
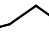
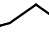

PART	NO	QTY
	1E006	26

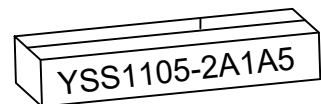


	PART	NO	QTY
1		2A003	3
		2A010	3
		3G011	2
2		2B004	4
		2D010	2
		2D011	2
		2H002	1
		2L013	2
		2M010	2
		2M011	1
		3J008	2
3		2C023	1
		2C024	1
		2C015	1
		3G012	2
		4C004	1
		5G015	2
4		2S004	1
5		5A010	1
		5H004	4
6		4A033	1
7		5J006	2
		5K006	4

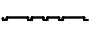

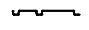
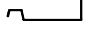
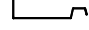
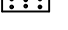


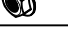




	PART	NO	QTY
1		2A007	2
		4B001	2
2		2A009	2
		4B003	2
3		2A014	1
		4B004	1
4		2A015	1
		4B005	1
5		2L006	2
		2L007	2
		2L012	2
6		2M009	2
		2M014	4
		2R003	2
		2R011	4
		2M018	1
		2M019	1
		2M032	1
		4A008	2
7		5E004	2

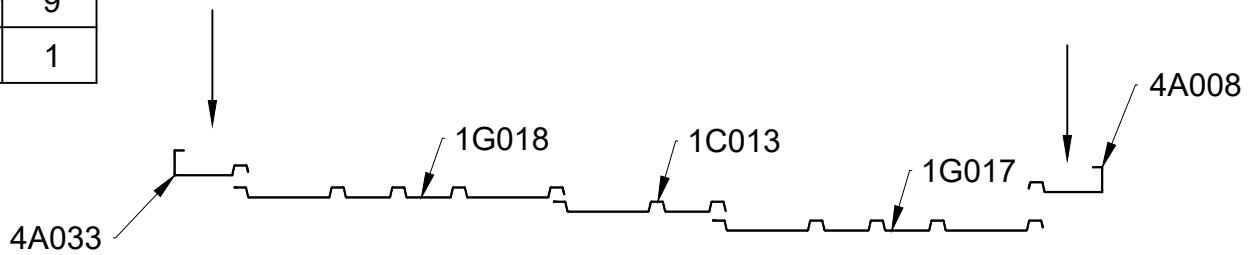
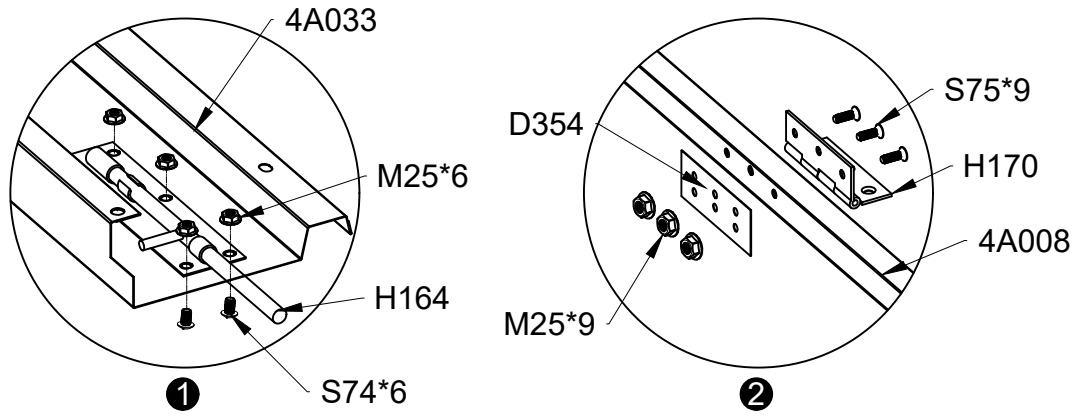
	PART	NO	QTY
8		5A005	2
		5B008	2
9		3J007	2
		3J012	4
		4A007	1
		4A032	1
10		4A008	1
11		5F008	2
		5F014	2
		5G009	2
		6A001	2
12		3H004	1
13		3H005	5
14		3H006	1
15		6A003	1



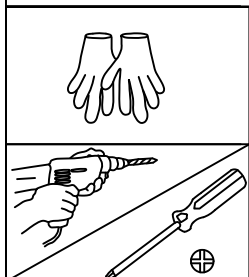
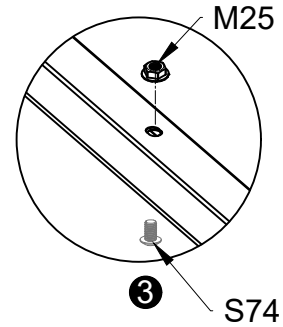
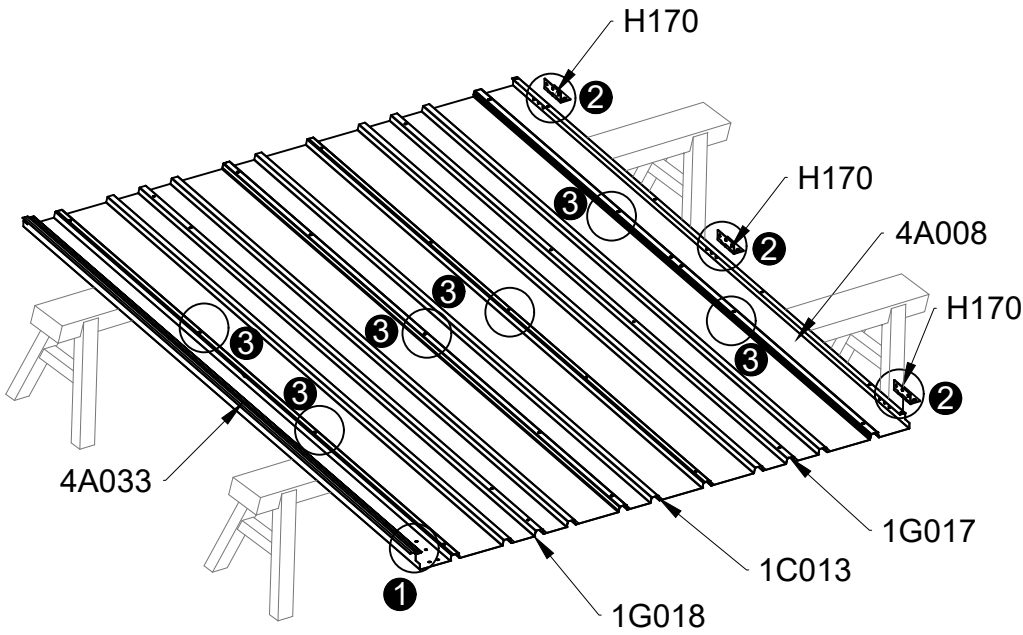
Box No. 5

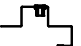
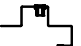


PART	NO	QTY
	1G018	1
	1G017	1
	1C013	1
	4A008	1
	4A033	1
	D354	3
	H170	3
	S74 M4X8	12
	M25 M4	21
	S75 M4X10	9
	H164	1

# Left Door

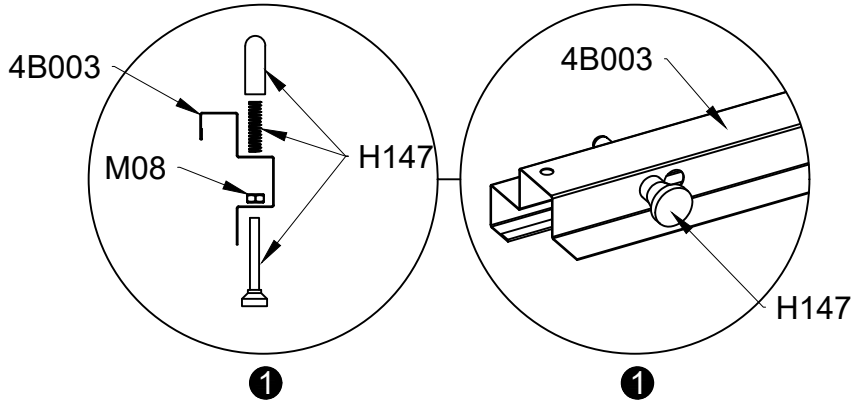


Please stack the door frames of the door panels according to the instructions above.

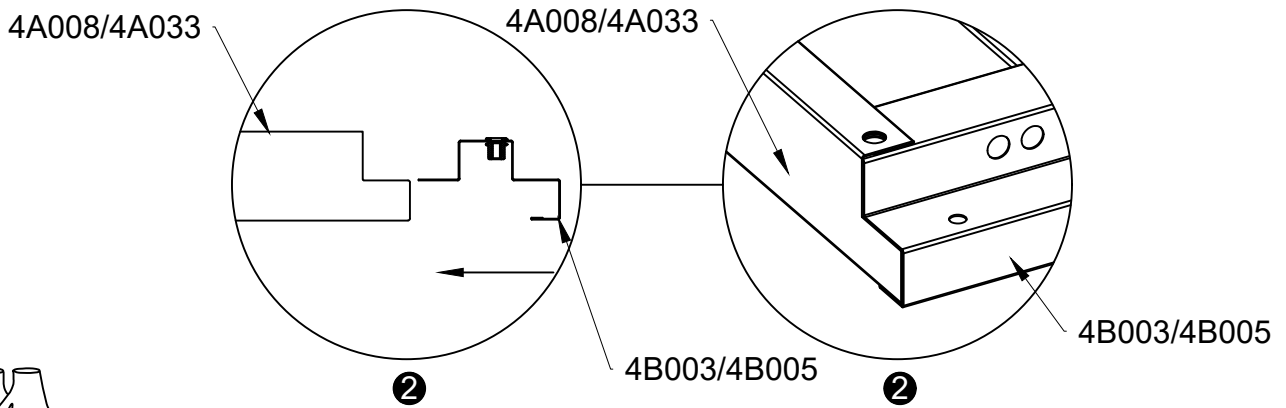
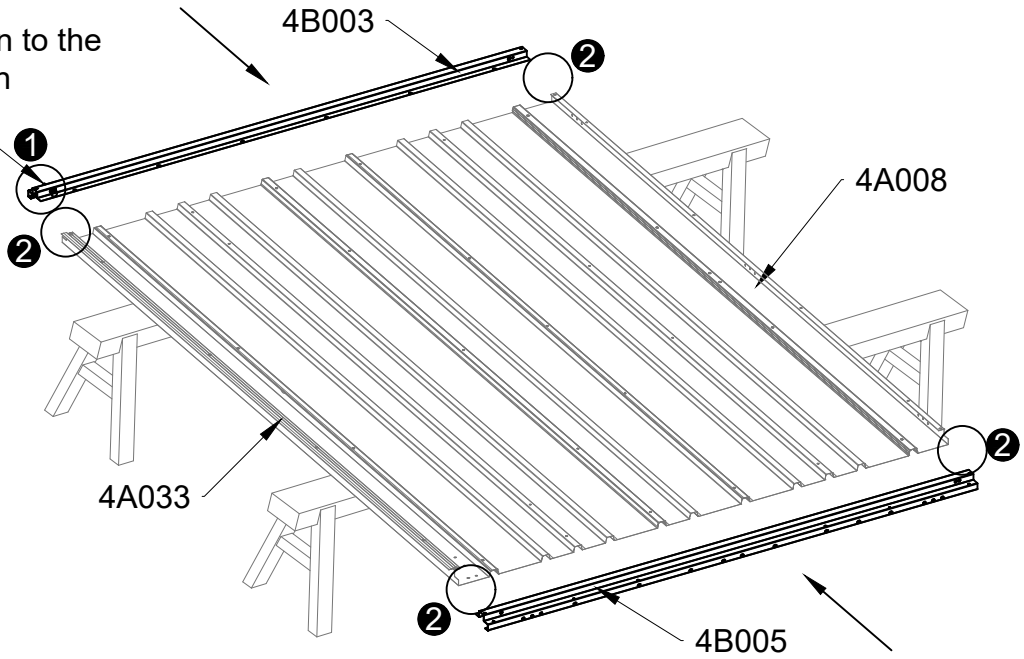


PART	NO	QTY
	4B003	1
	4B005	1
	H147	1
	M08	1
	M5	

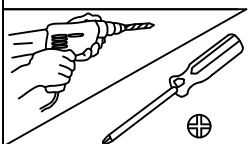
# Left Door






Please pay attention to the direction of the latch

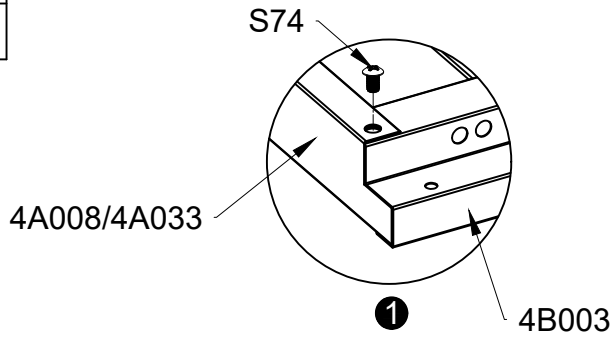


Pay attention to the connection method between 4A008/4A033 and 4B003/4B005.

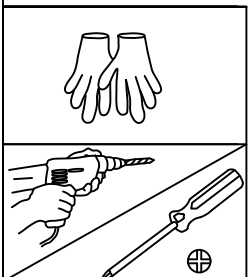
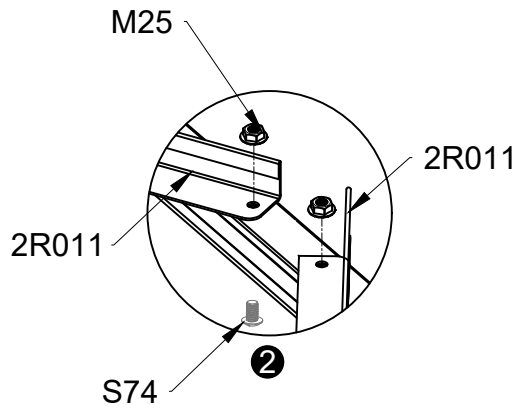
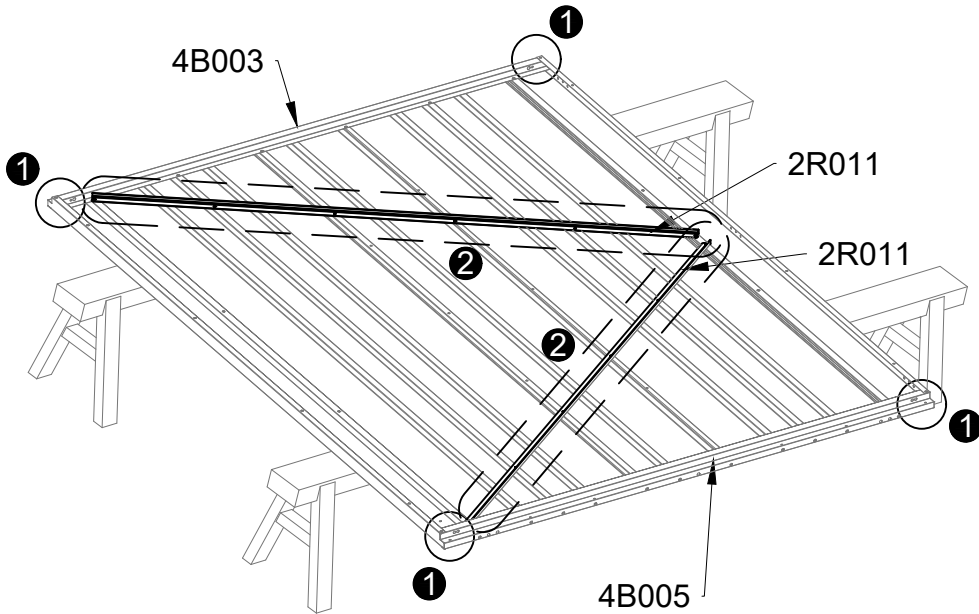




PART	NO	QTY
	2R011	2
	S74 M4X8	16
	M25 M4	12

# Left Door

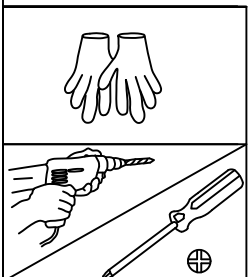
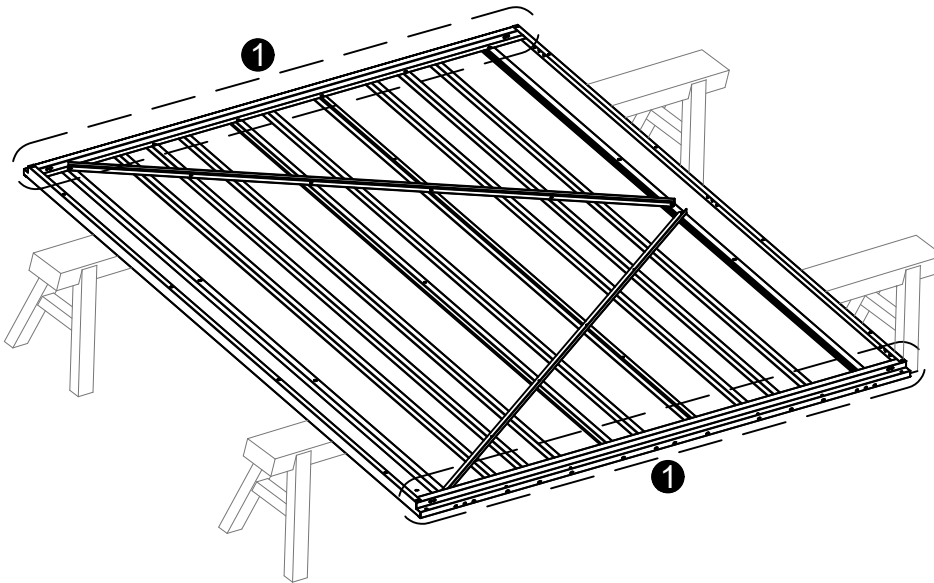
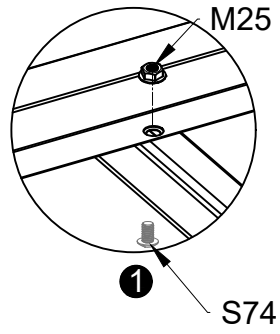





Make sure to fully insert the door panel before tightening the screws.



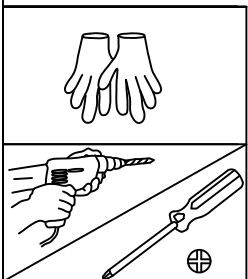
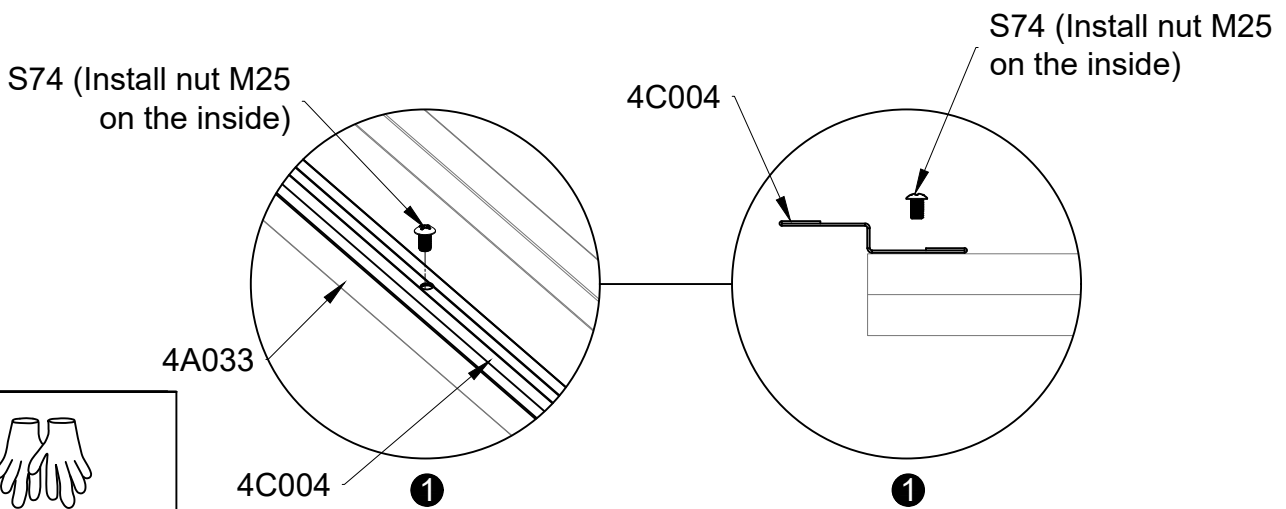
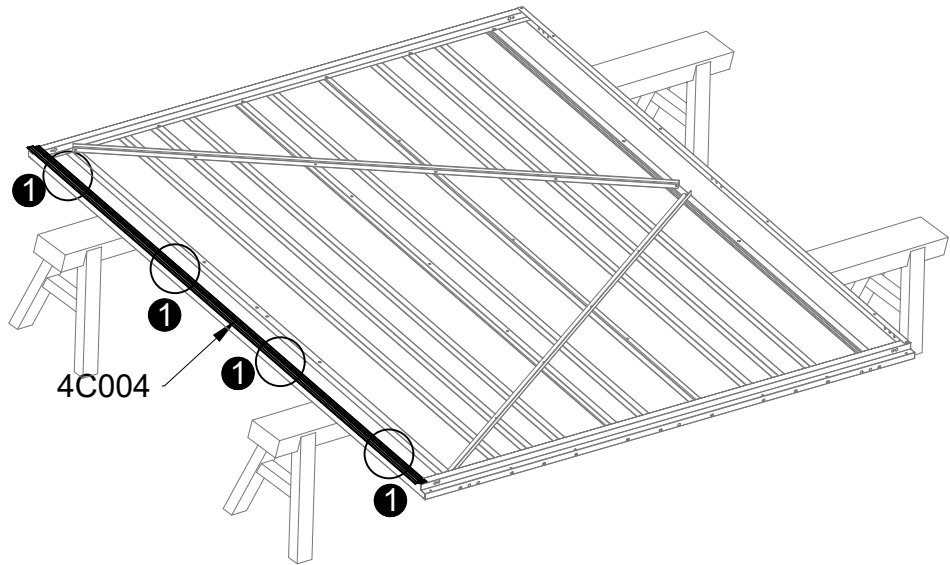
PART	NO	QTY
	S74	14
	M4X8	
	M25	14
	M4	



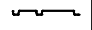
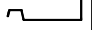
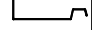






# Left Door



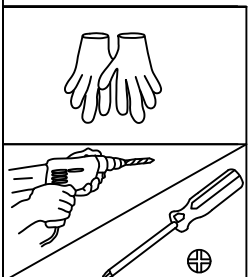
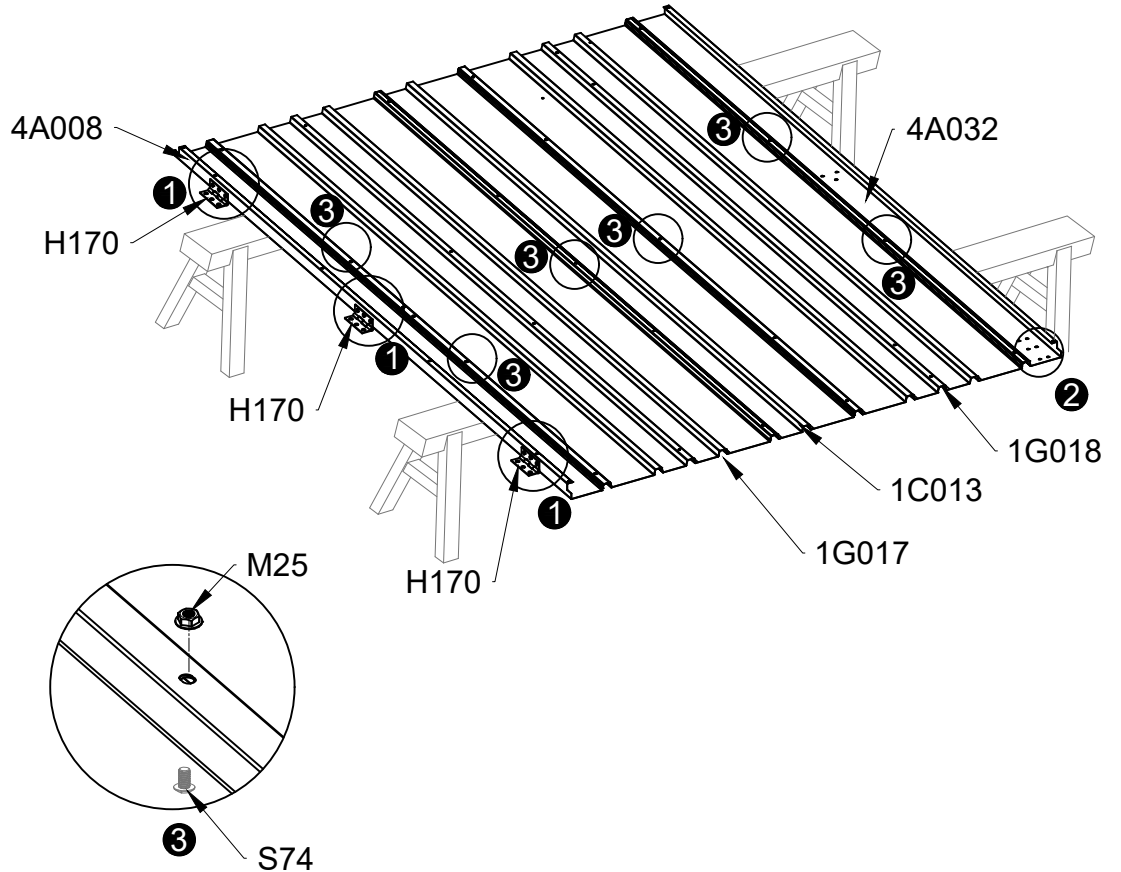
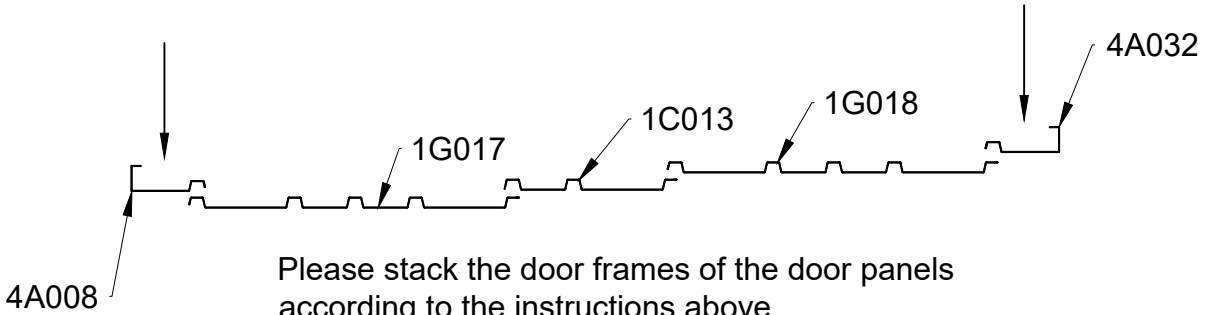
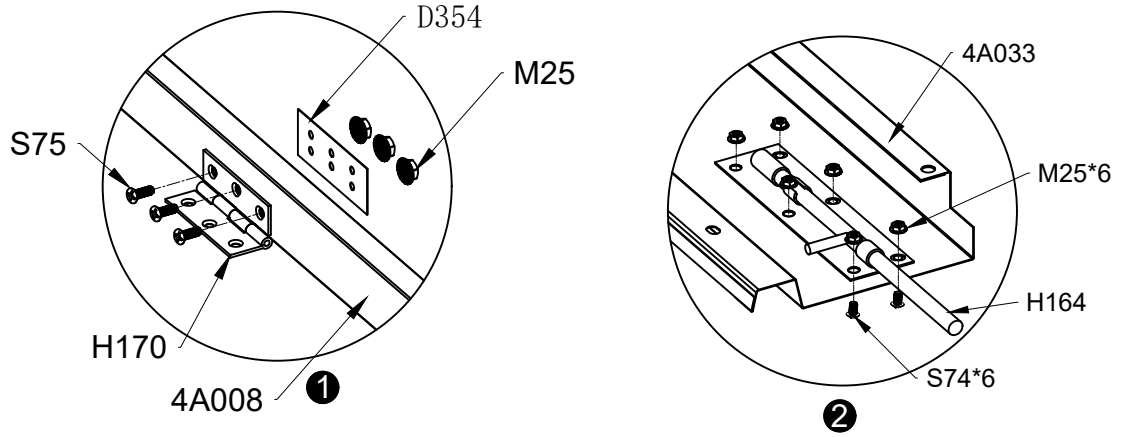
PART	NO	QTY
	4C004	1
	S74 M4X8	4
	M25 M4	4

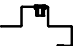
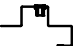
# Left Door



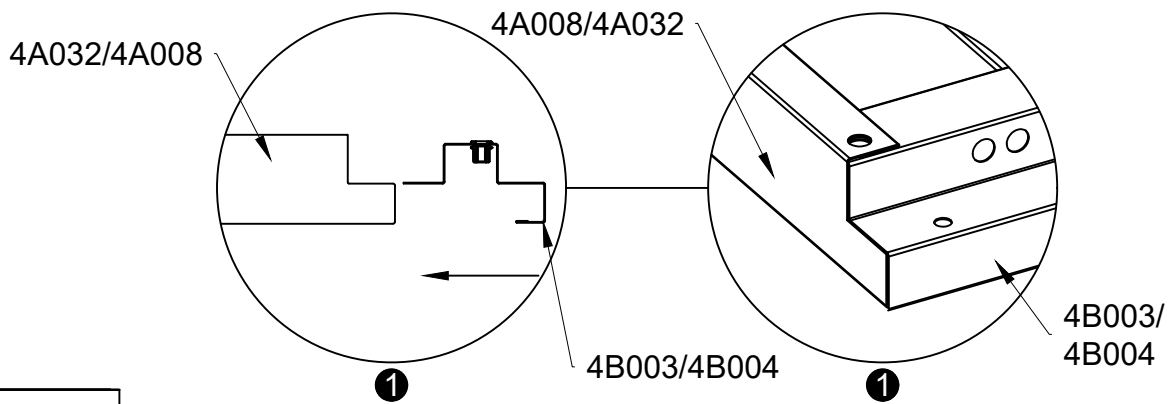
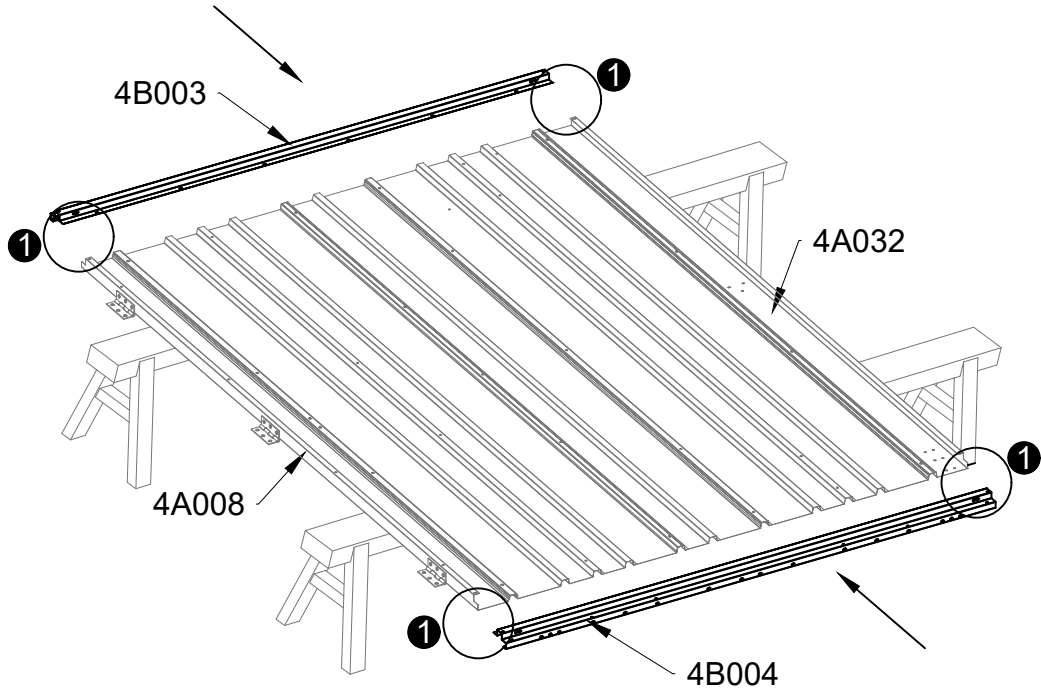
PART	NO	QTY
	1G018	1
	1G017	1
	1C013	1
	4A032	1
	4A008	1
	D354	3
	H170	3
	S74 M4X8	12
	M25 M4	21
	S75 M4X10	9
	H164	1

# Right Door

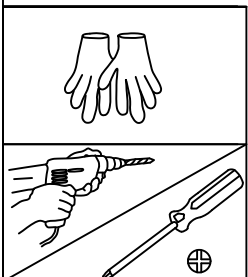





PART	NO	QTY
	4B003	1
	4B004	1

# Right Door

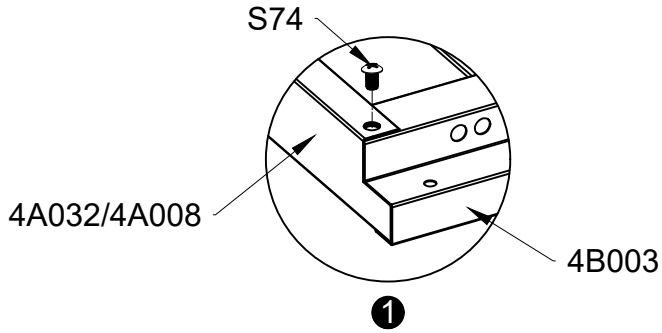


Pay attention to the connection method between 4A032/4A008 and 4B003/4B004.

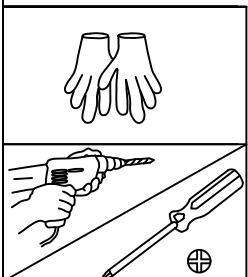
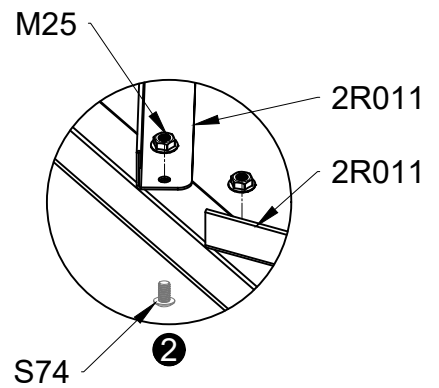
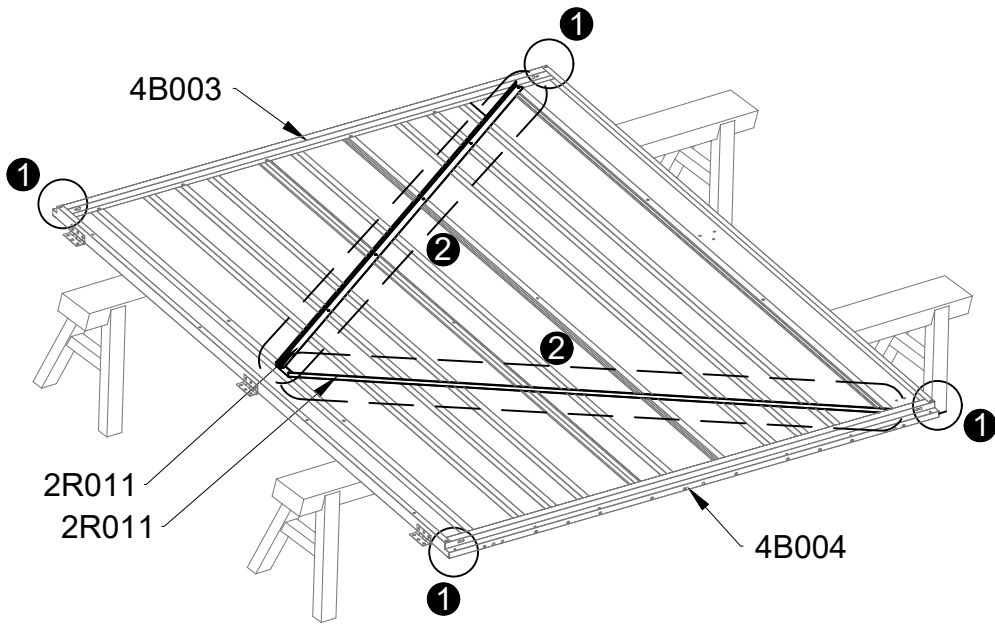




PART	NO	QTY
	2R011	2
	S74 M4X8	16
	M25 M4	12

# Right Door

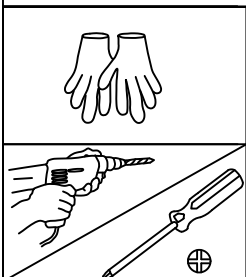
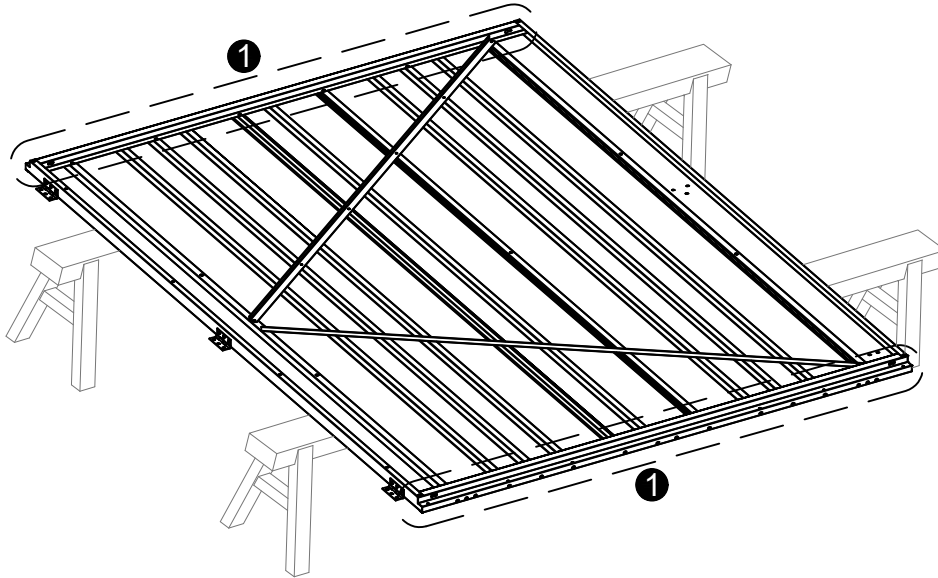
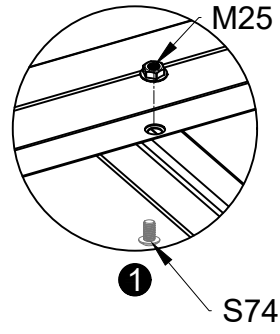


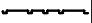



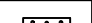

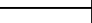
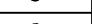
Make sure to fully insert the door panel before tightening the screws.



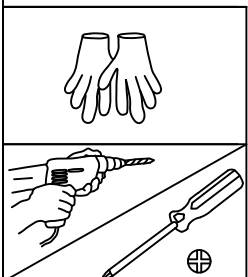
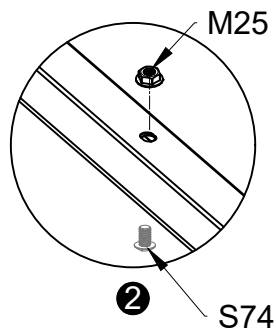
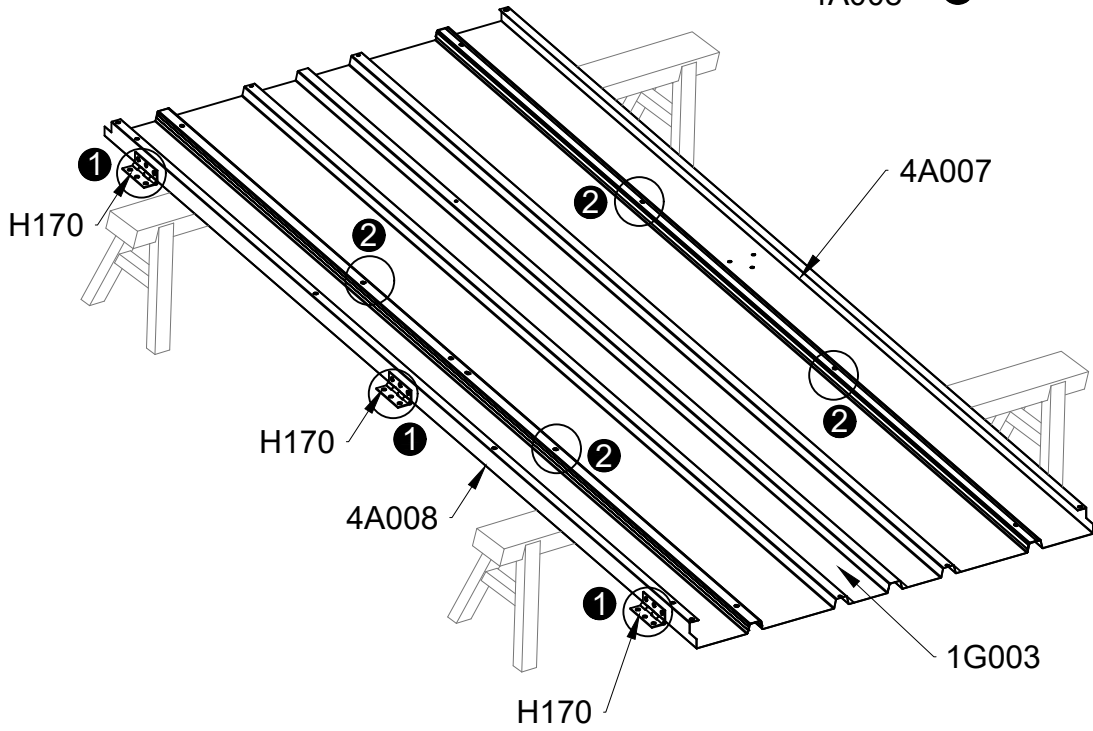
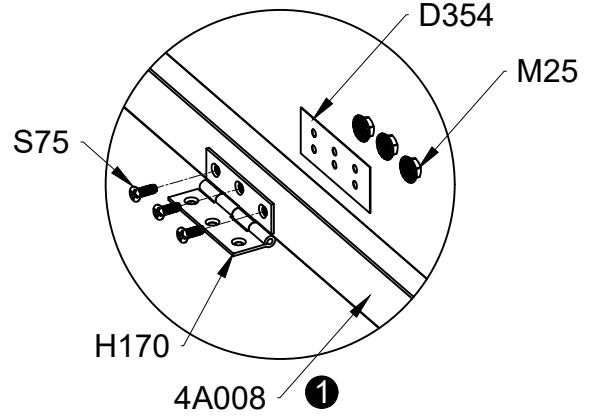
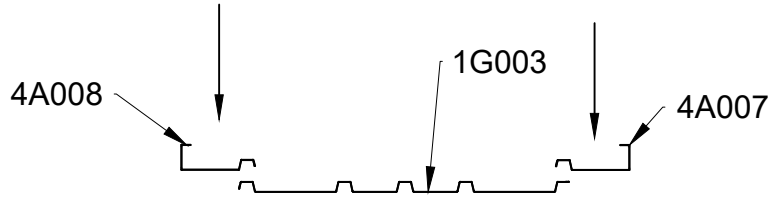
PART	NO	QTY
	S74	14
	M4X8	
	M25	14
	M4	

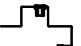

# Right Door



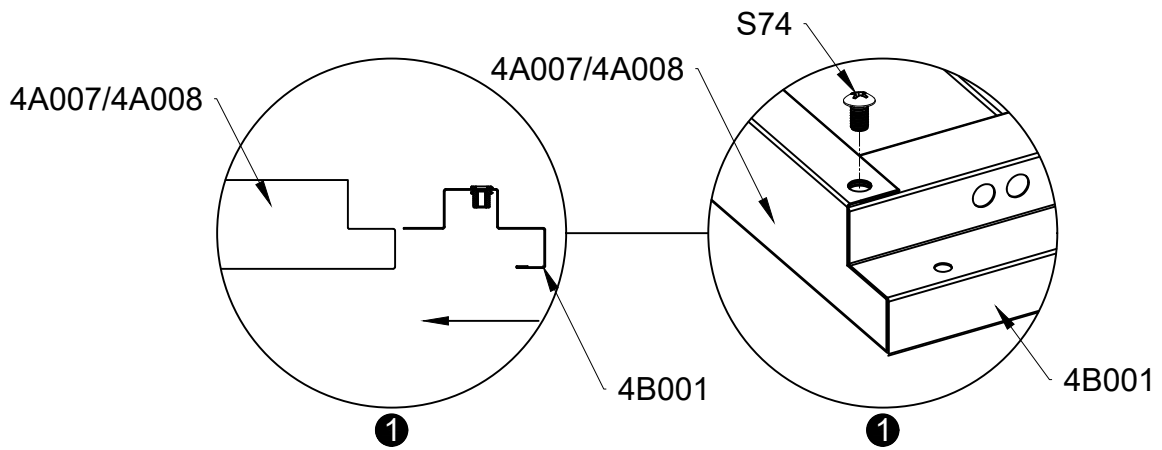
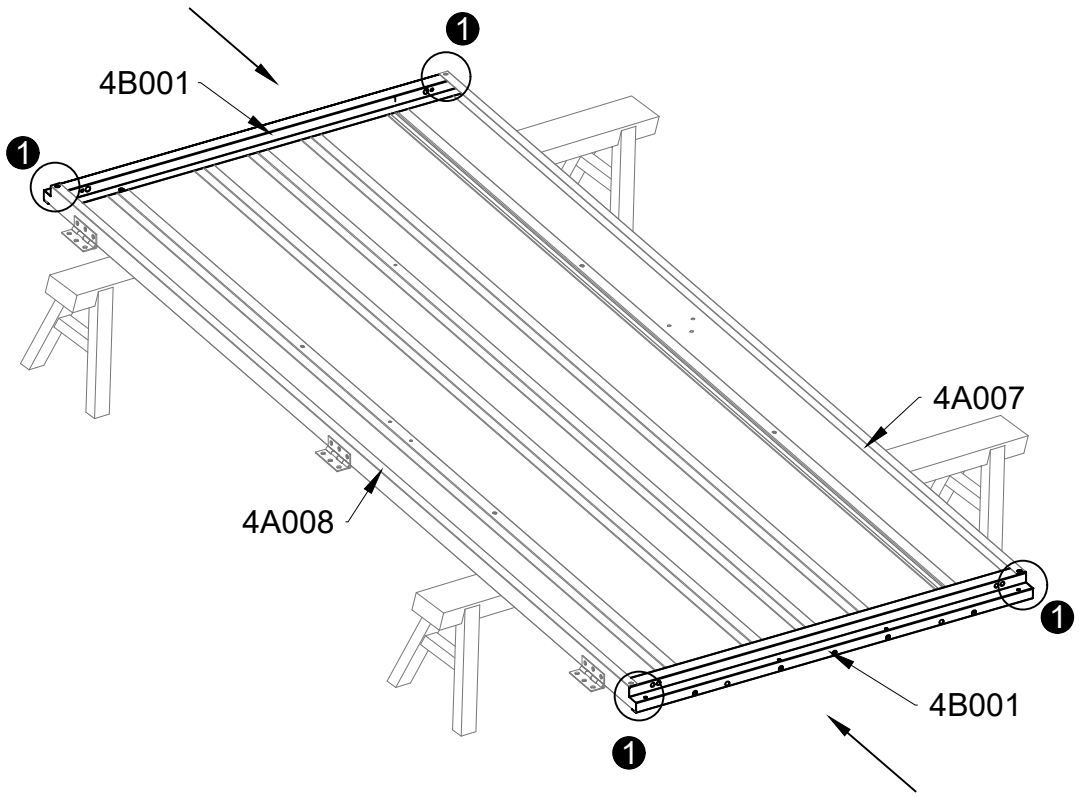
PART	NO	QTY
	1G003	1
	4A007	1
	4A008	1
	H170	3
	D354	3
	S74	4
	M4X8	
	S75	9
	M4X10	
	M25	13
	M4	

# back door

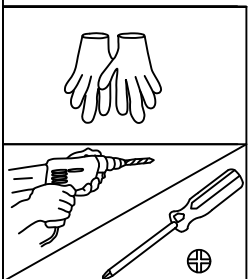





PART	NO	QTY
	4B001	2
	S74	4
	M4X8	

# back door

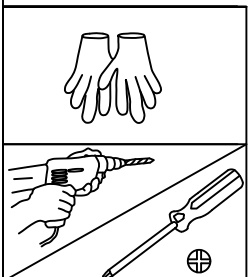
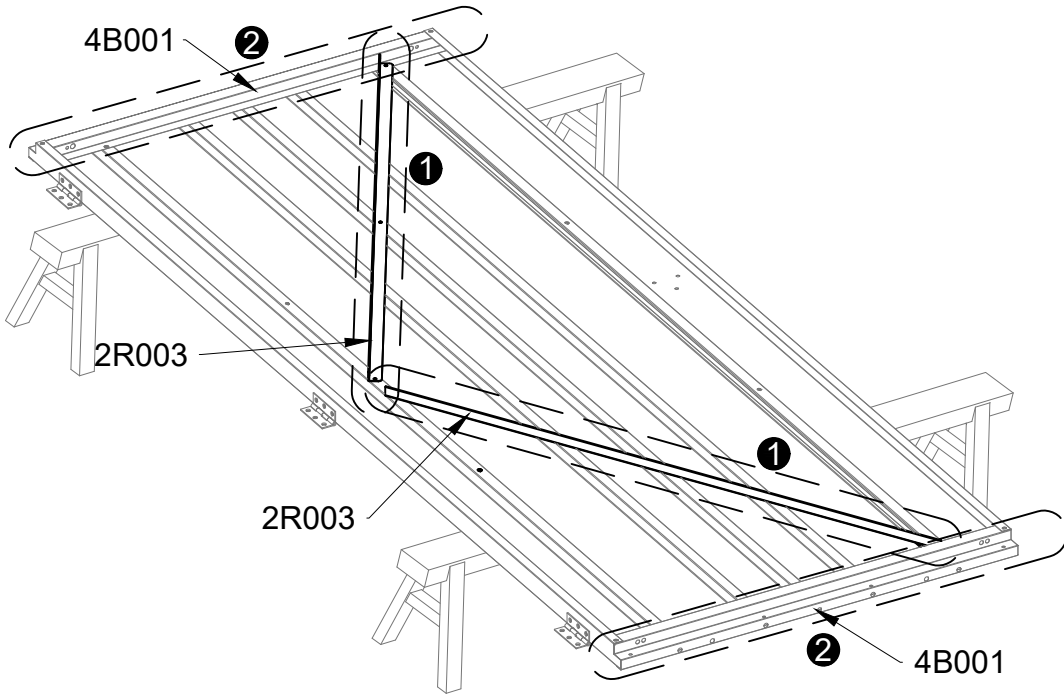
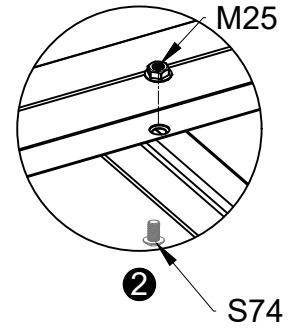
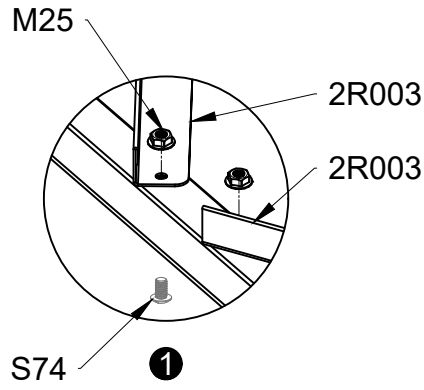


Pay attention to the connection method between 4A007/4A008 and 4B001.



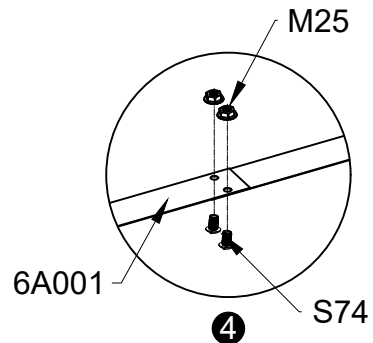
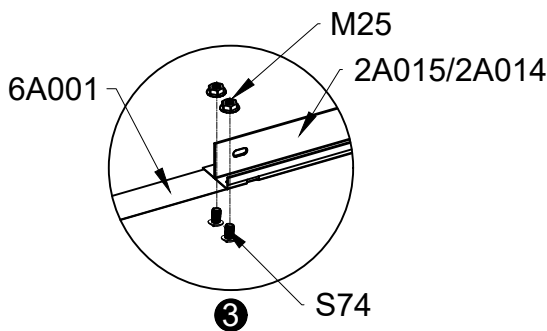
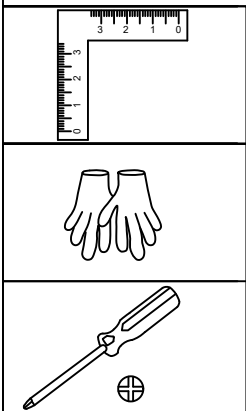
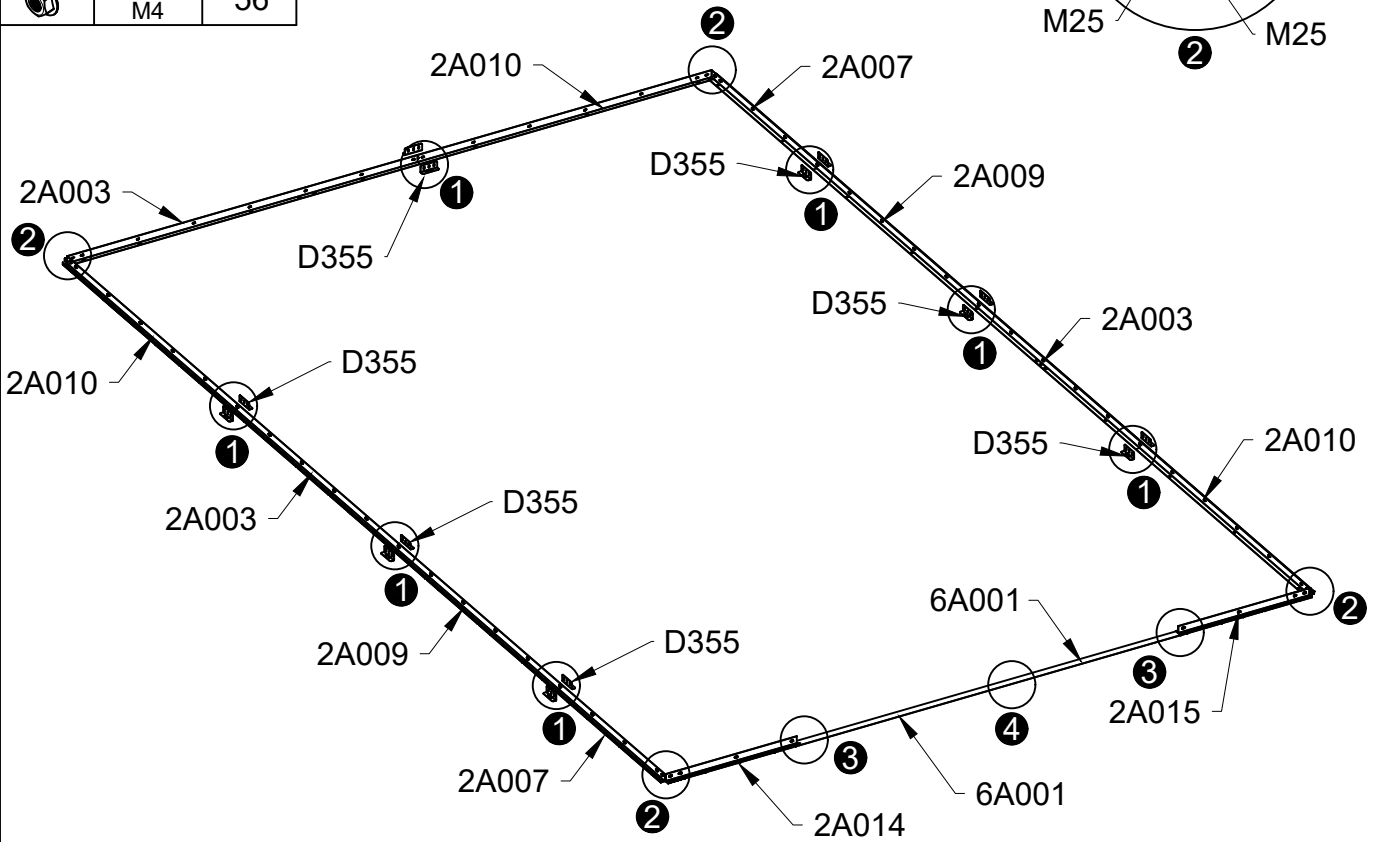
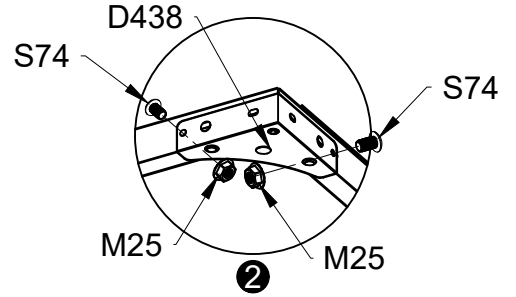
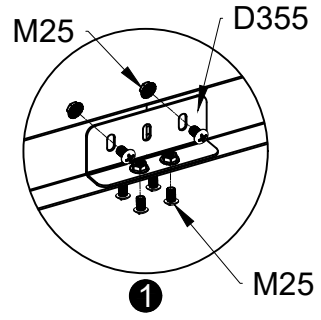
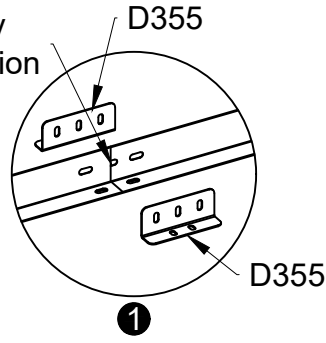
PART	NO	QTY
	2R003	2
	S74 M4X8	12
	M25 M4	12



# back door

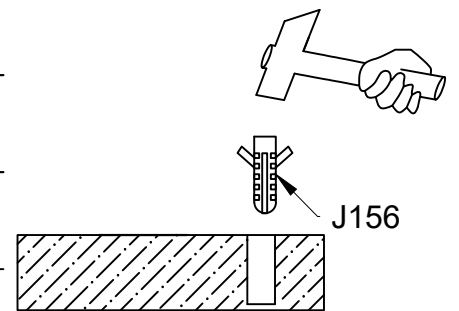
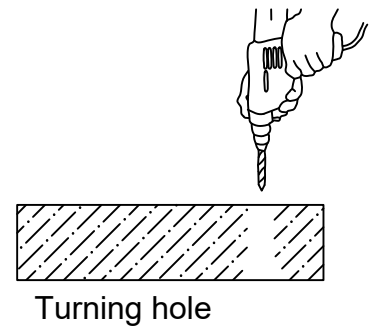
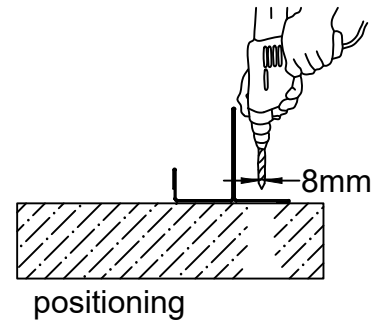
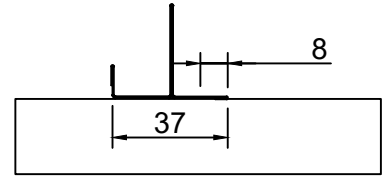
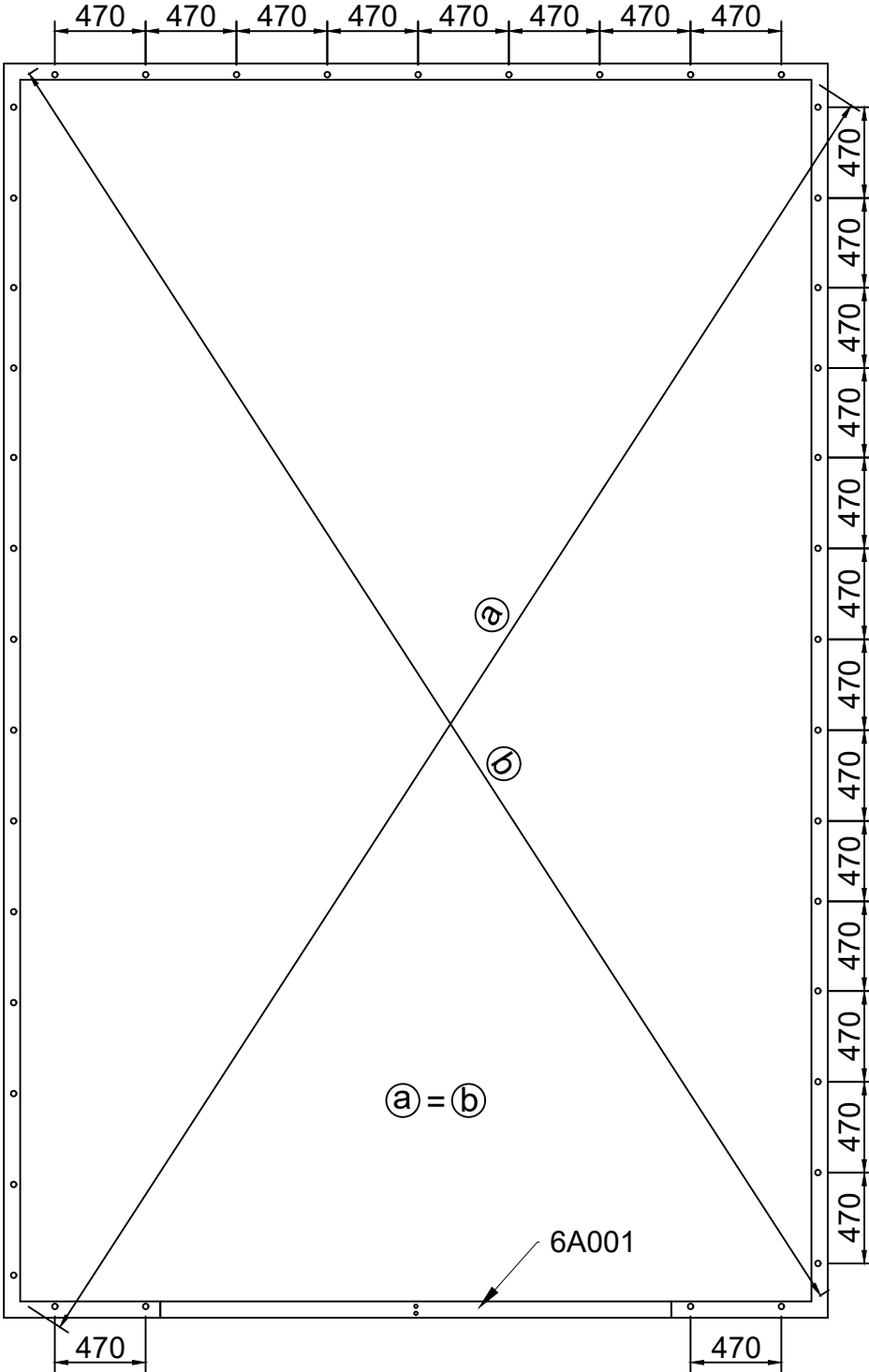


PART	NO	QTY
	2A003	3
	2A007	2
	2A009	2
	2A010	3
	2A014	1
	2A015	1
	D355	14
	D438	4
	6A001	2
	S74 M4X8	56
	M25 M4	56

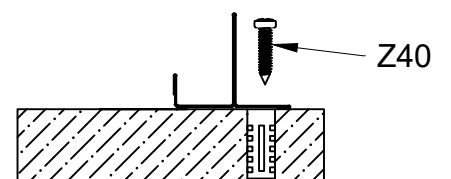
There is a semicircle mark here, please pay attention to the direction with the notch






PART	NO	QTY
	J156	43
	Z40 M5X40	43

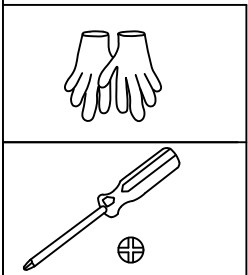
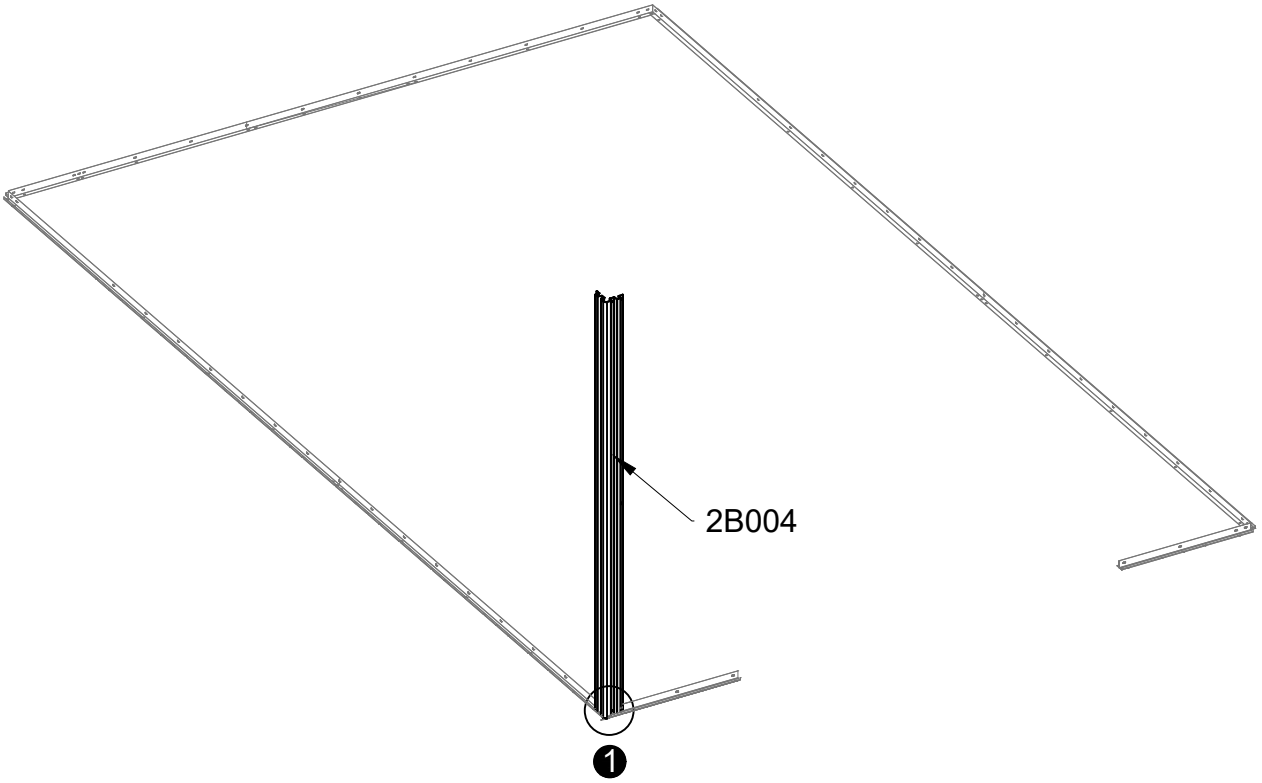
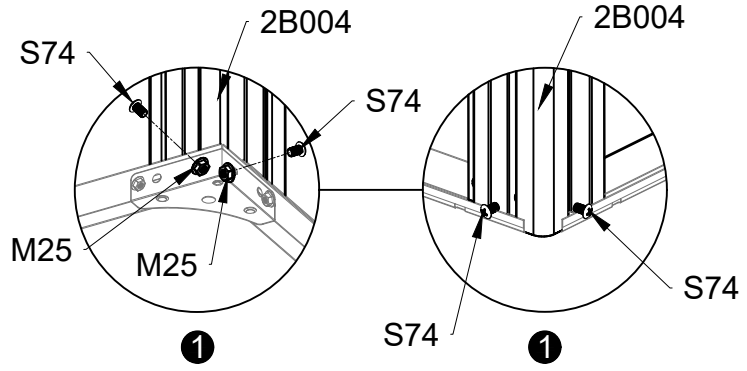


Expansion bolt installior

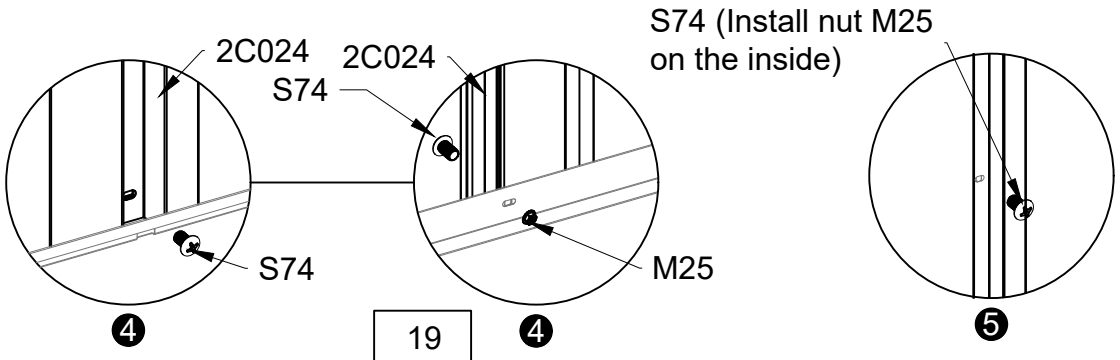
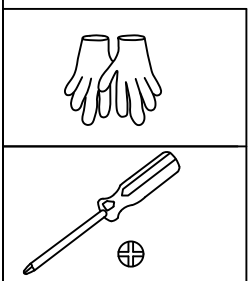
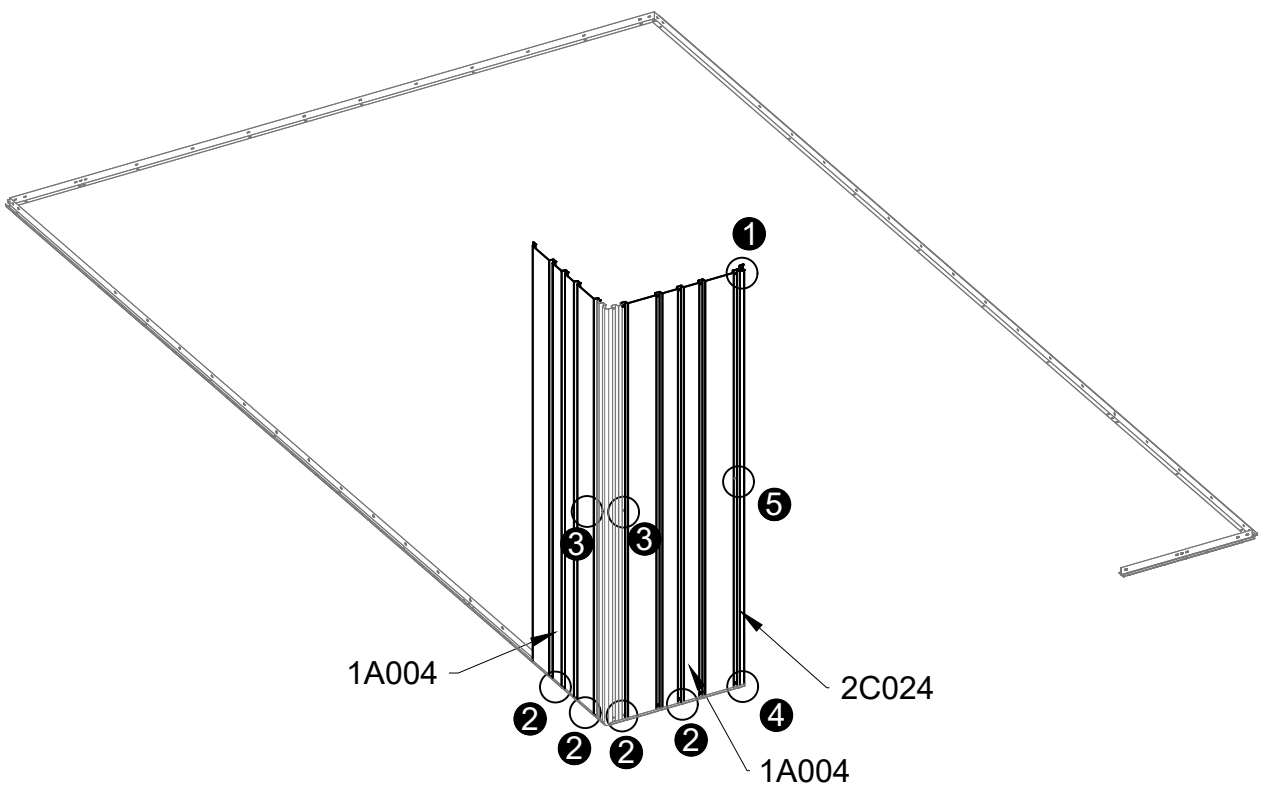
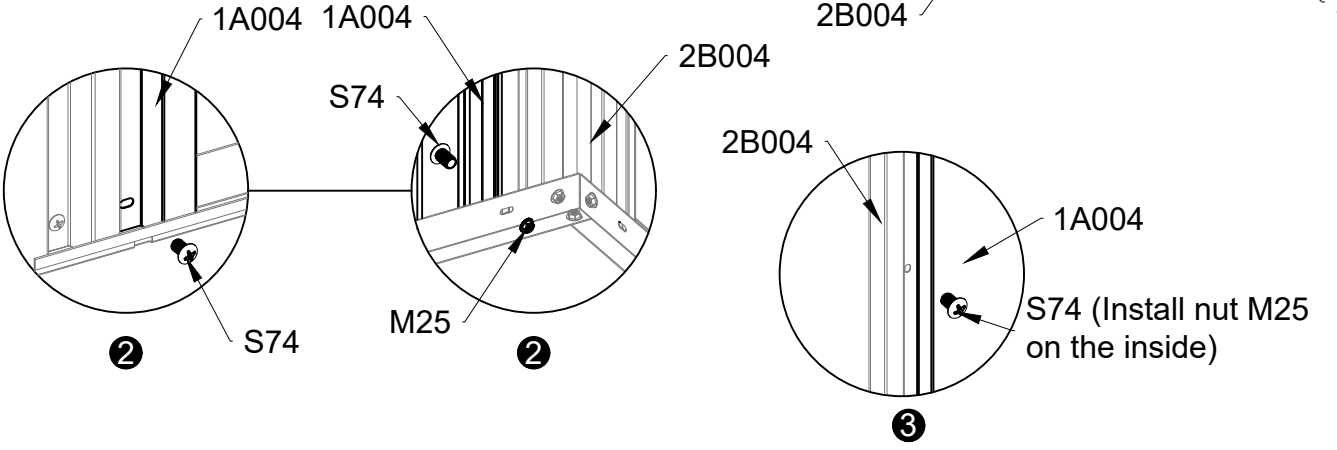
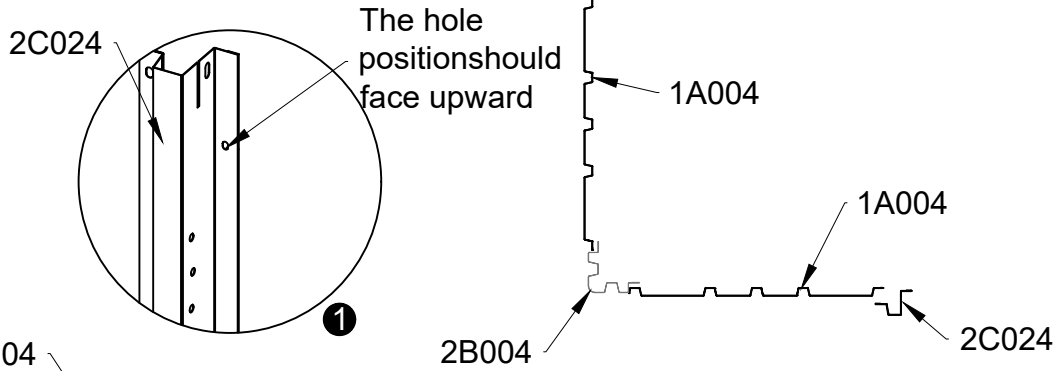





( Profile 6A001 is used for positioning.After securing the foundation withexpansion screws, you can choosewhether to remove it, as it will not affectthe product's use.)

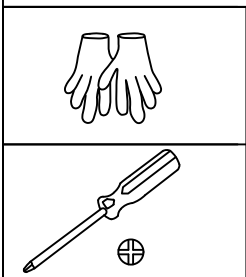
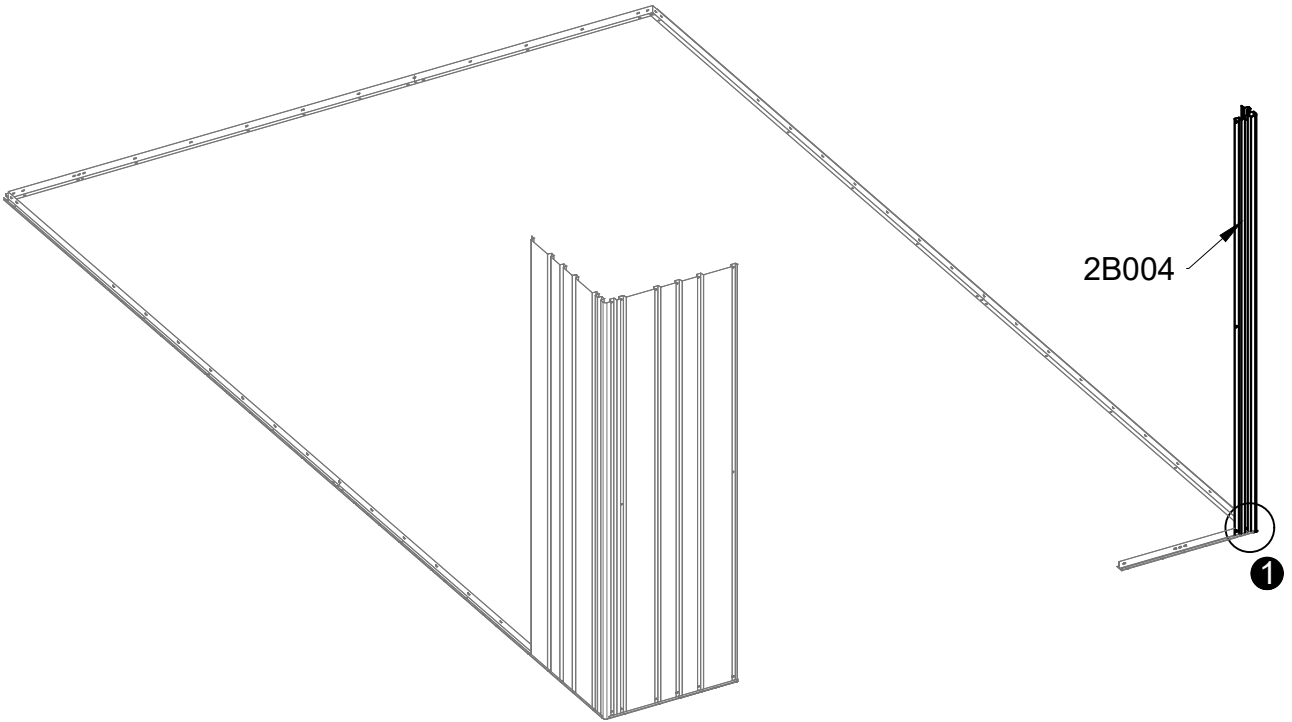
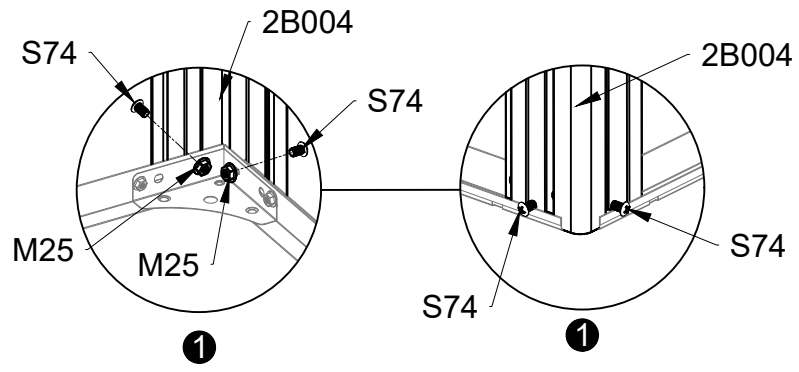
PART	NO	QTY
	2B004	1
	S74 M4X8	2
	M25 M4	2







PART	NO	QTY
	1A004	2
	2C024	1
	S74	8
	M4X8	
	M25	8
	M4	

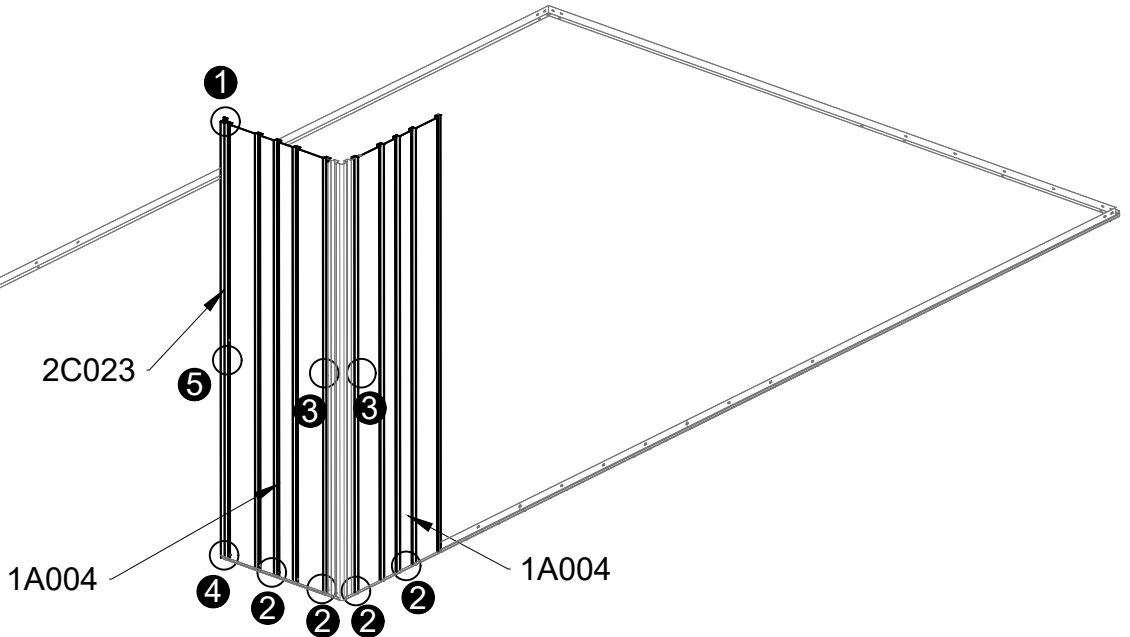
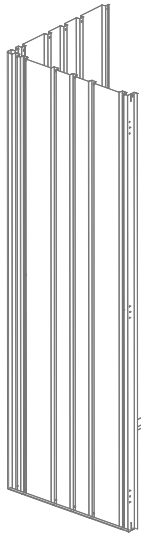
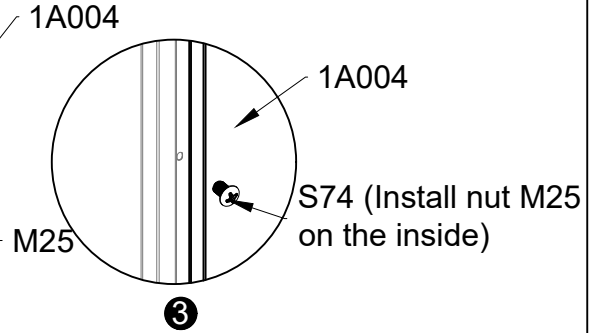
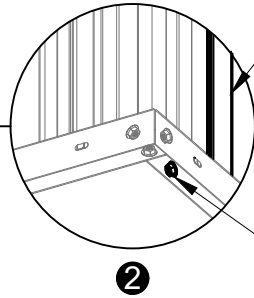
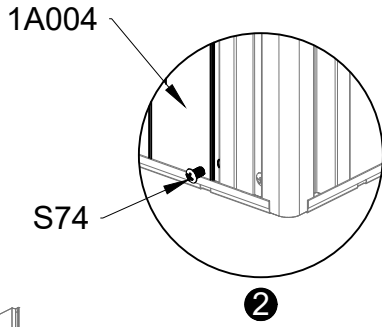
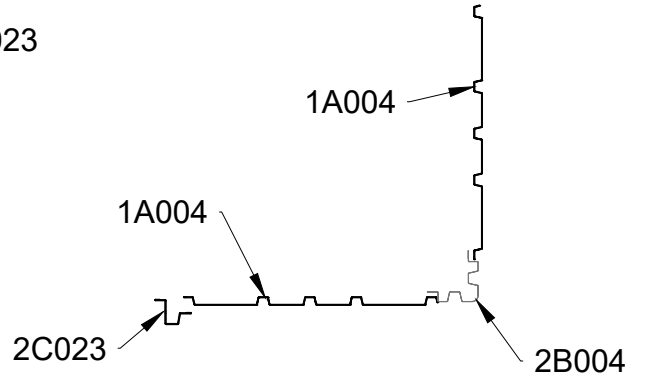
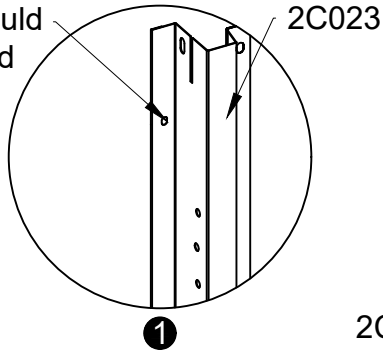


PART	NO	QTY
	2B004	1
	S74 M4X8	2
	M25 M4	2

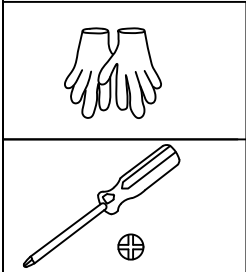
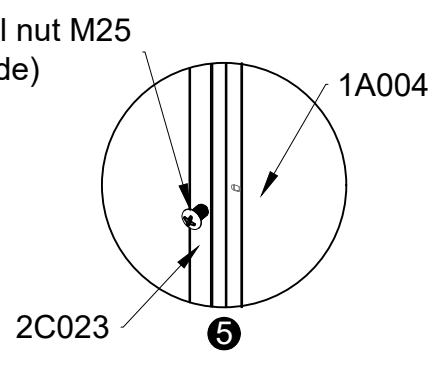
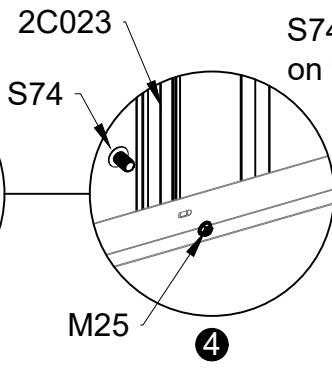
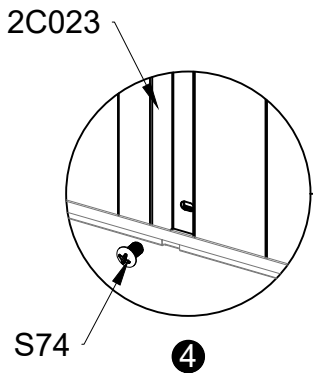





PART	NO	QTY
	1A004	2
	2C023	1
	S74 M4X8	8
	M25 M4	8

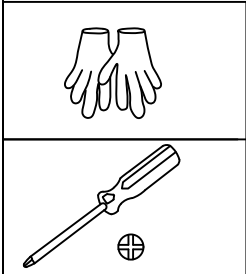
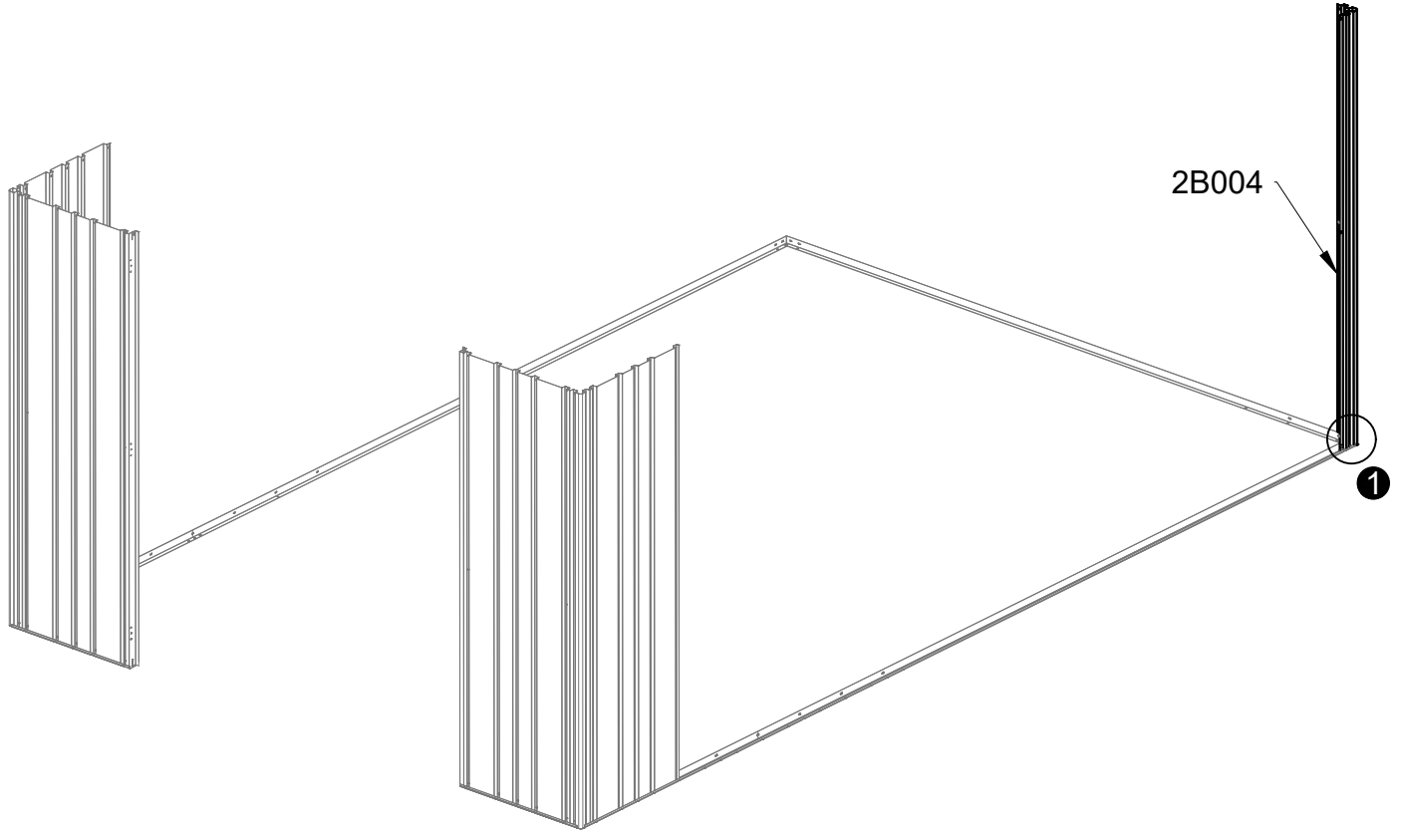
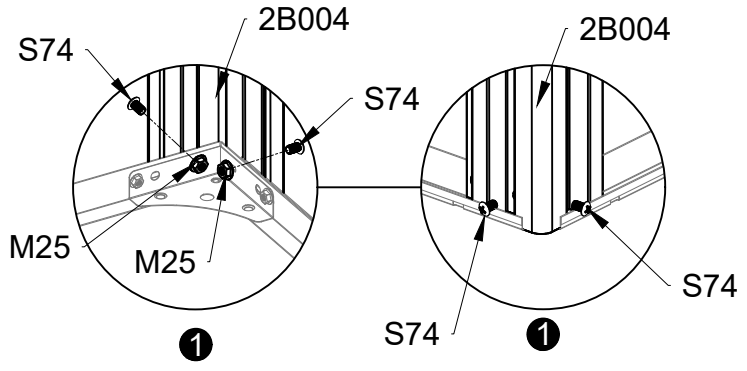
The hole positions should face upward






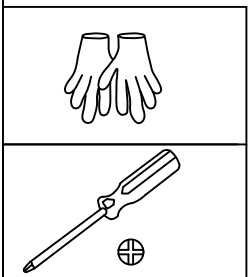
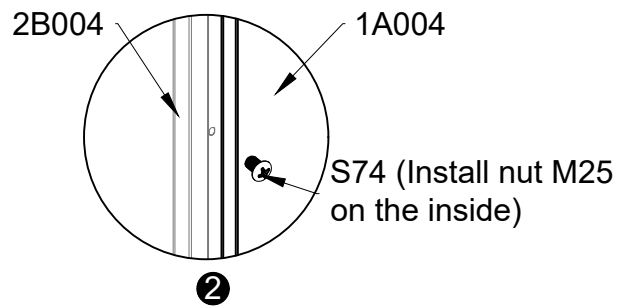
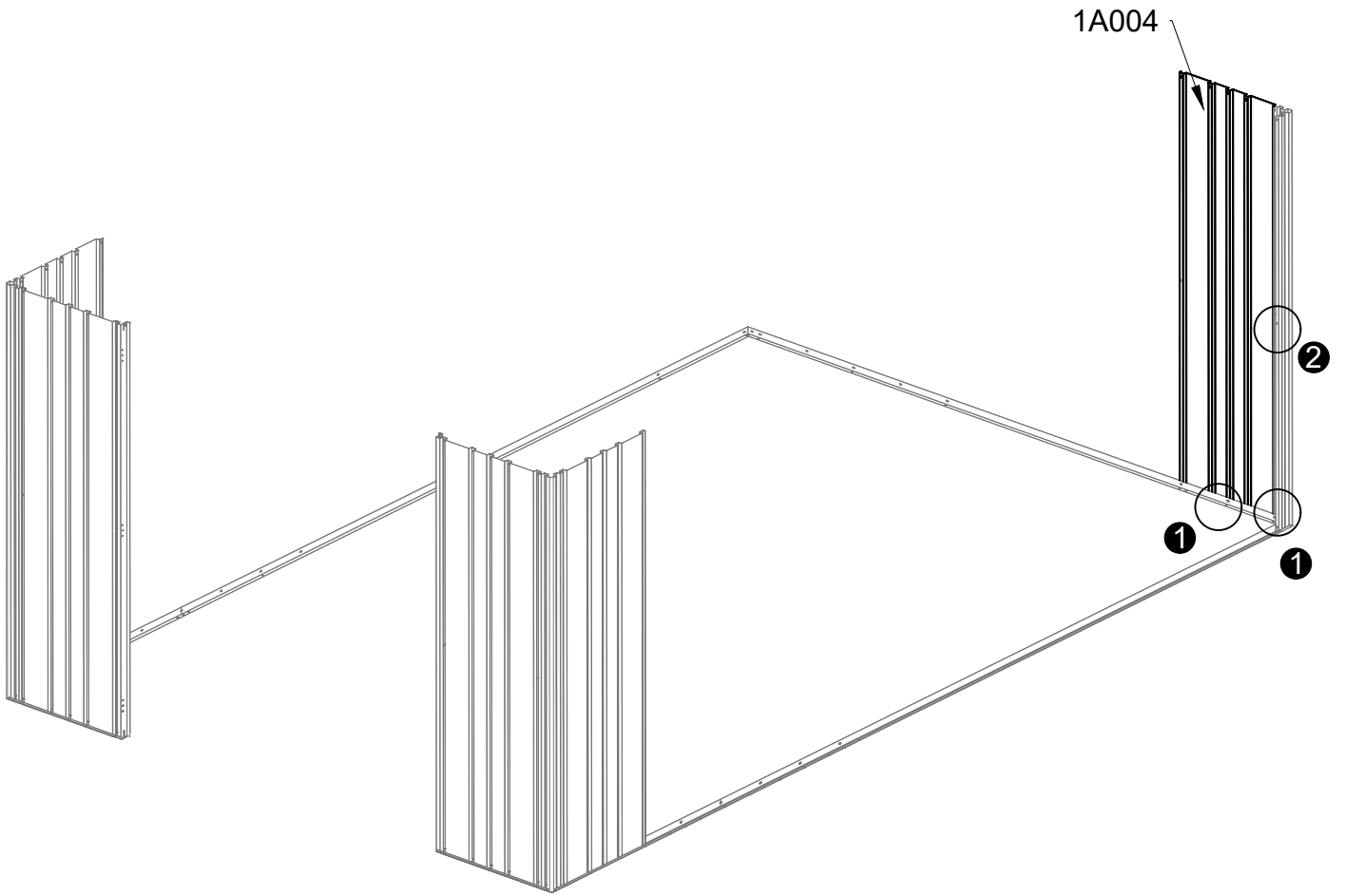
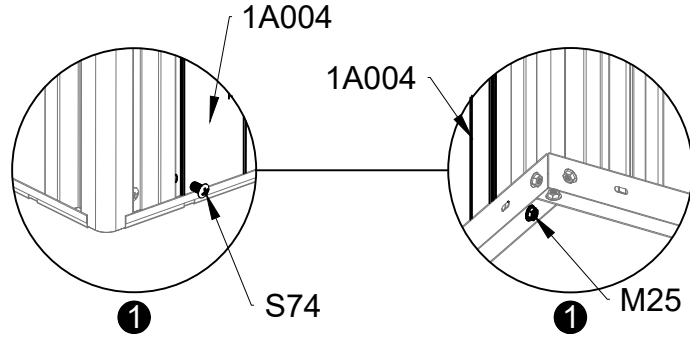
To facilitate installation, adjust the orientation of the view.






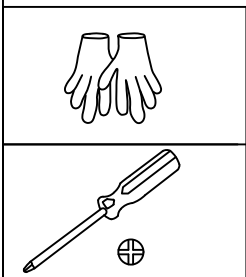
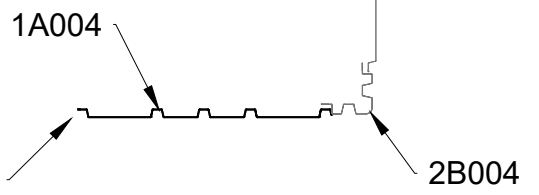
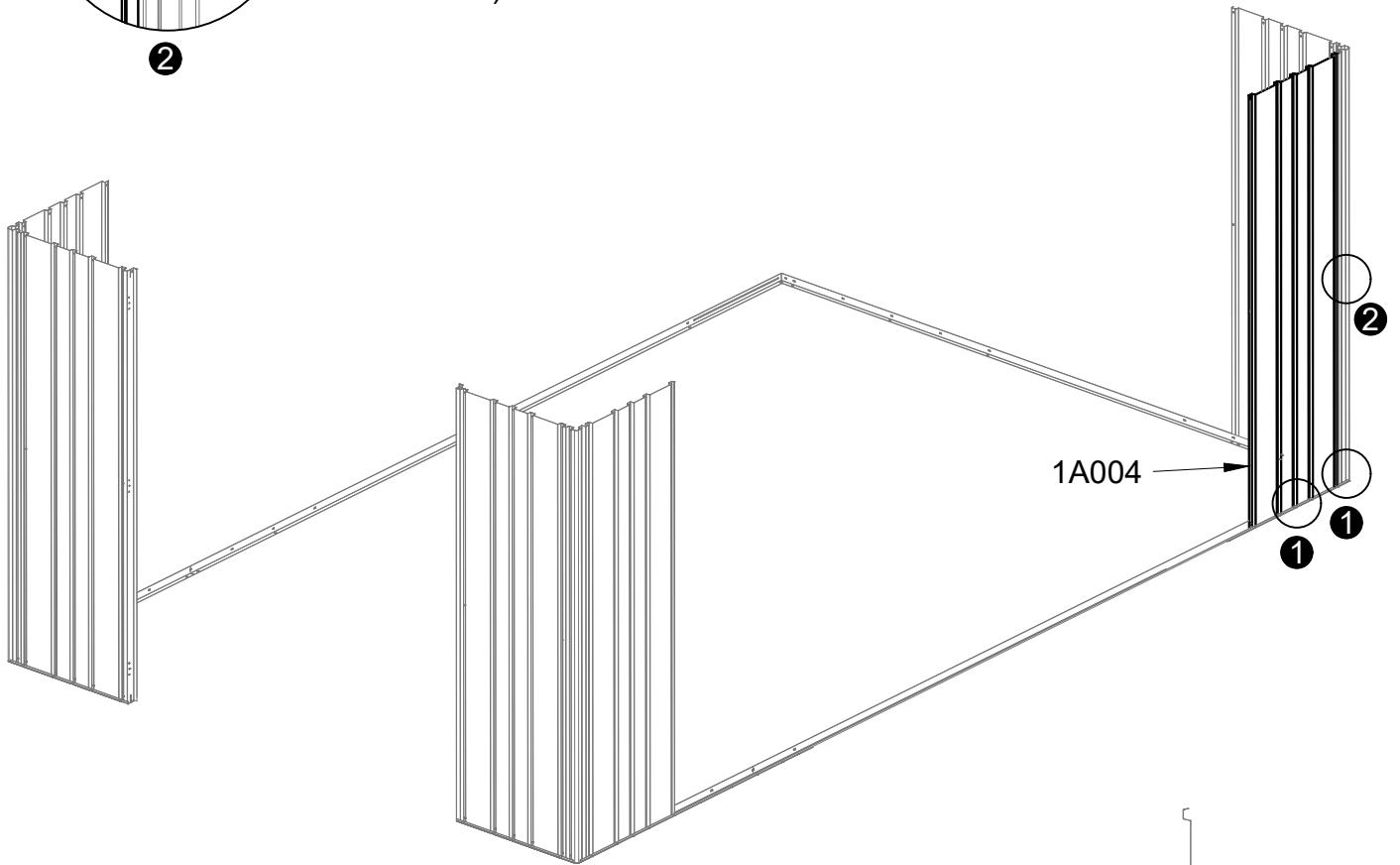
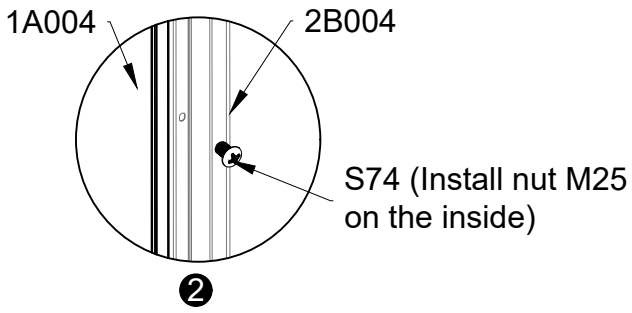
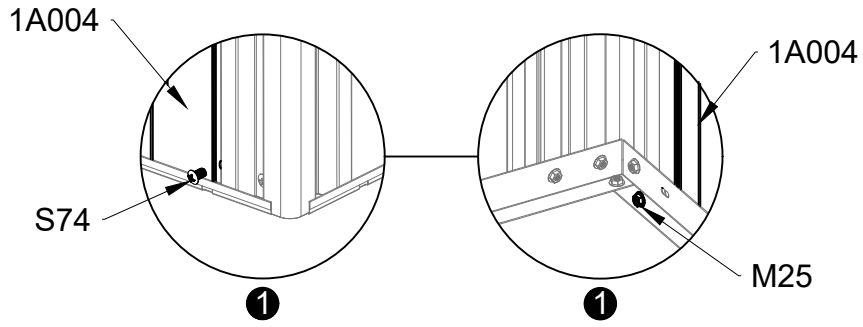
PART	NO	QTY
	2B004	1
	S74 M4X8	2
	M25 M4	2






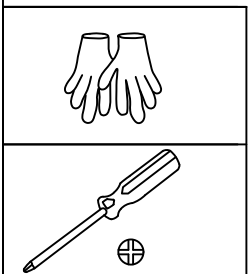
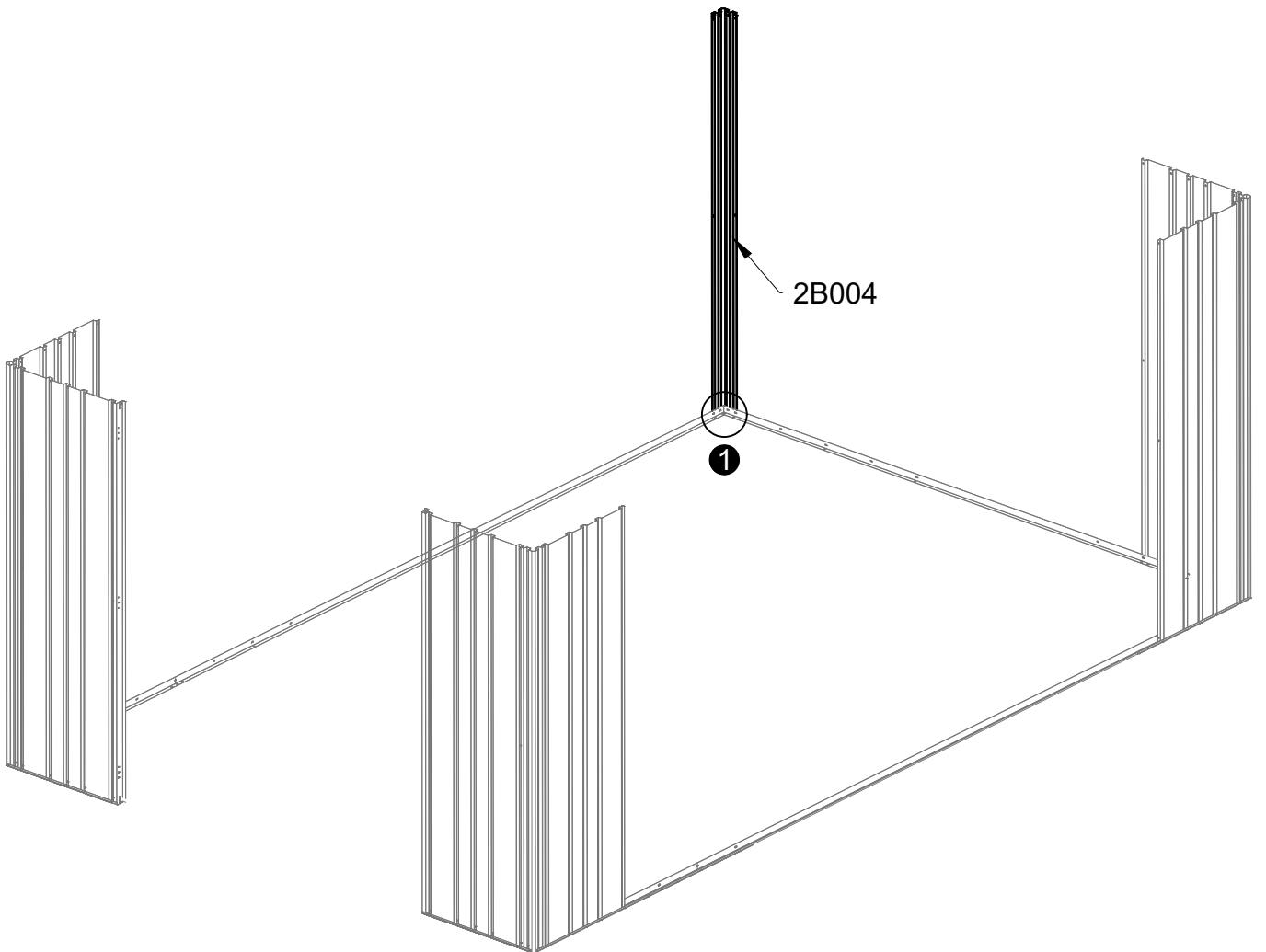
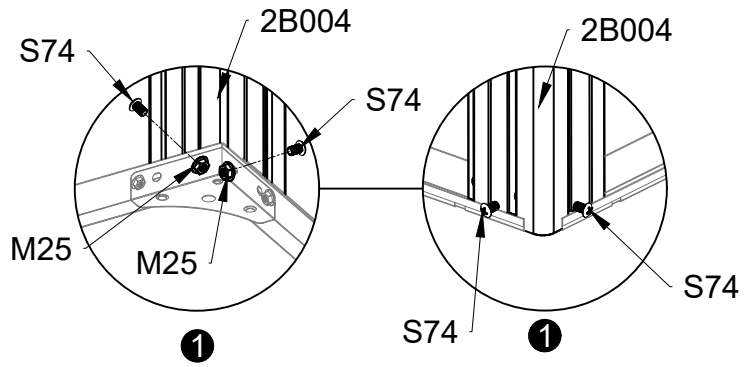
PART	NO	QTY
	1A004	1
	S74	3
	M4X8	
	M25	3
	M4	






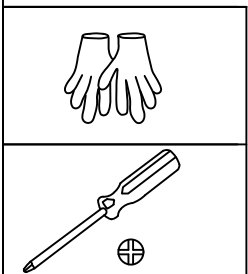
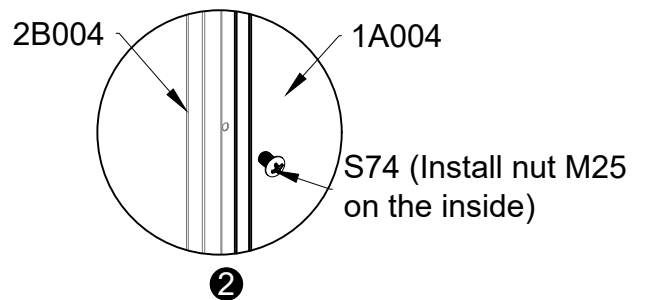
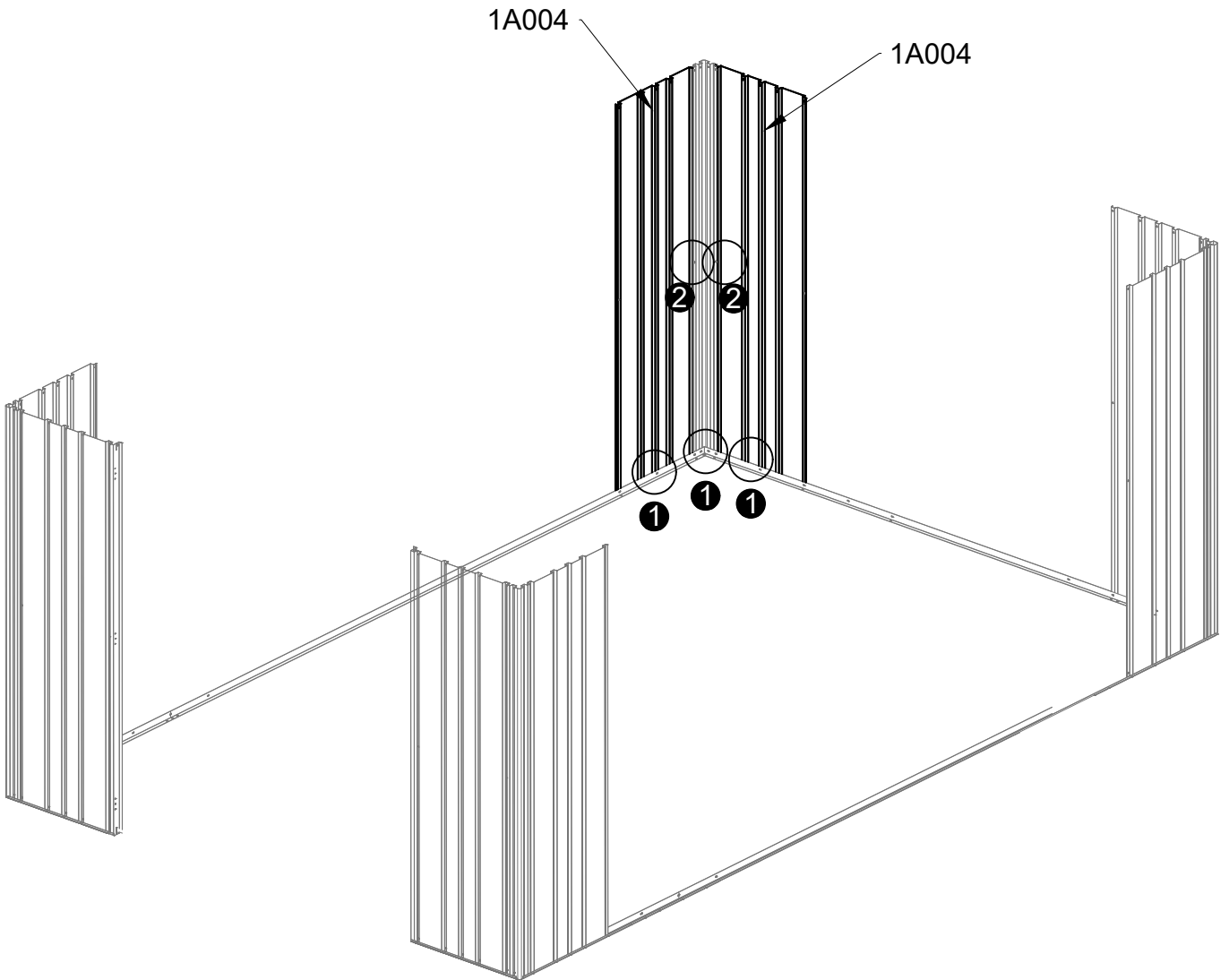
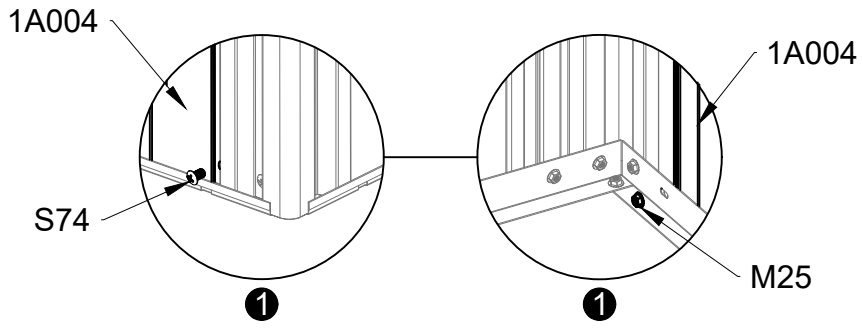
PART	NO	QTY
	1A004	1
	S74	3
	M4X8	
	M25	3
	M4	







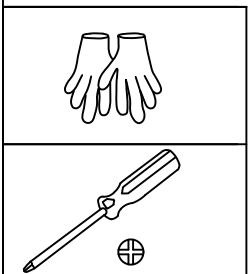
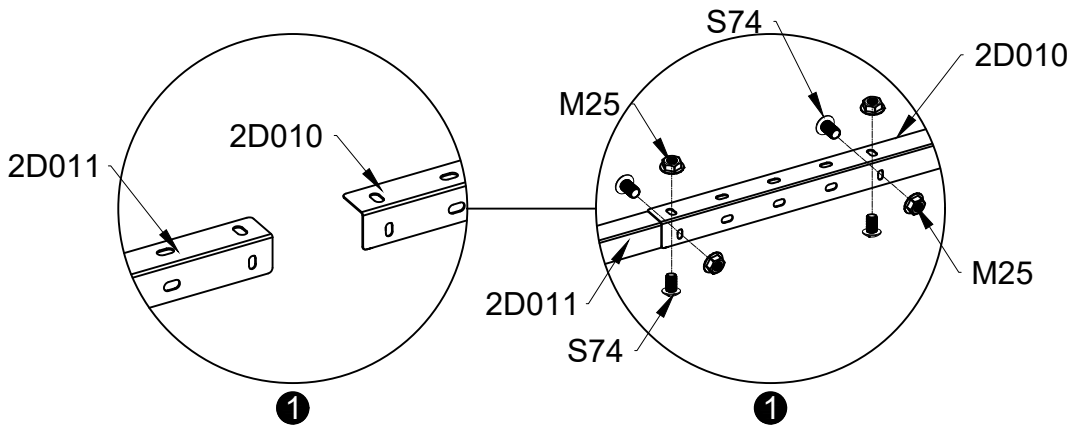
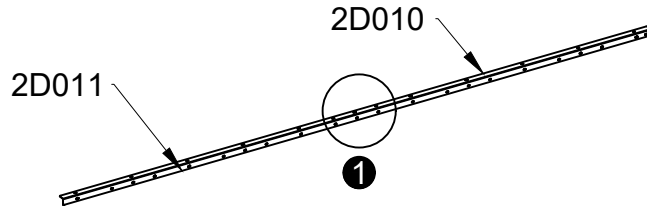
PART	NO	QTY
	2B004	1
	S74	2
	M4X8	
	M25	2
	M4	





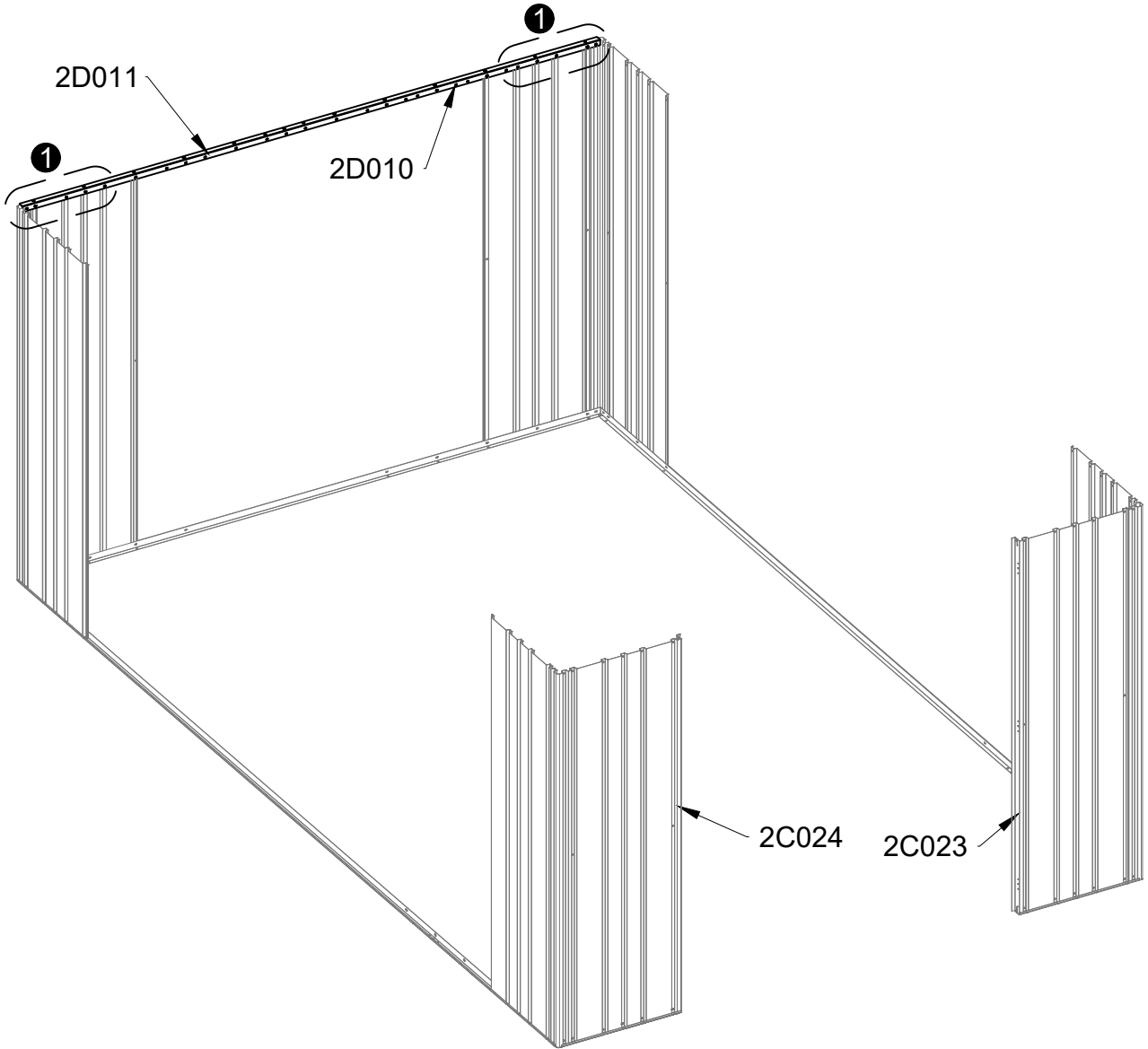
PART	NO	QTY
	1A004	2
	S74	6
	M4X8	
	M25	6
	M4	



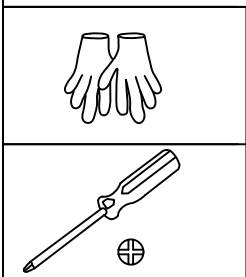
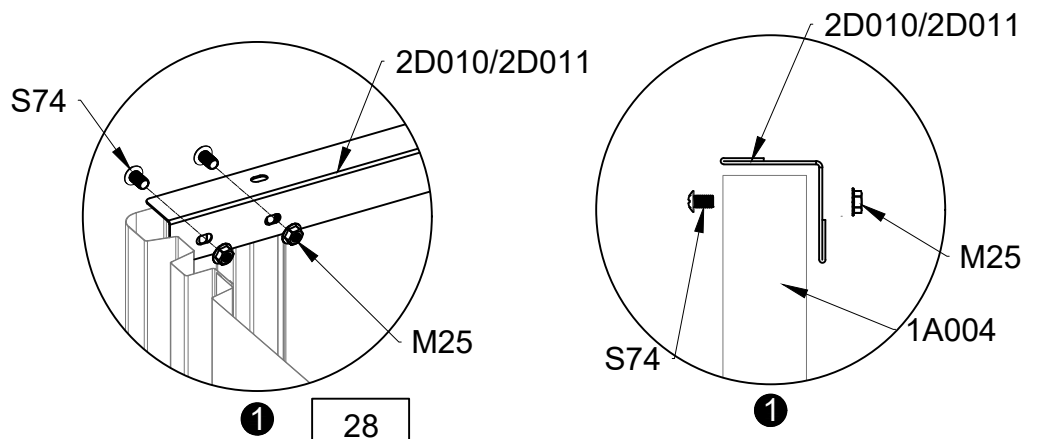
PART	NO	QTY
	2D010	1
	2D011	1
	S74	4
	M4X8	
	M25	4
	M4	



PART	NO	QTY
	S74	6
	M4X8	
	M25	6
	M4	








To facilitate installation, adjust the orientation of the view.

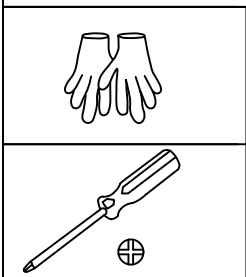
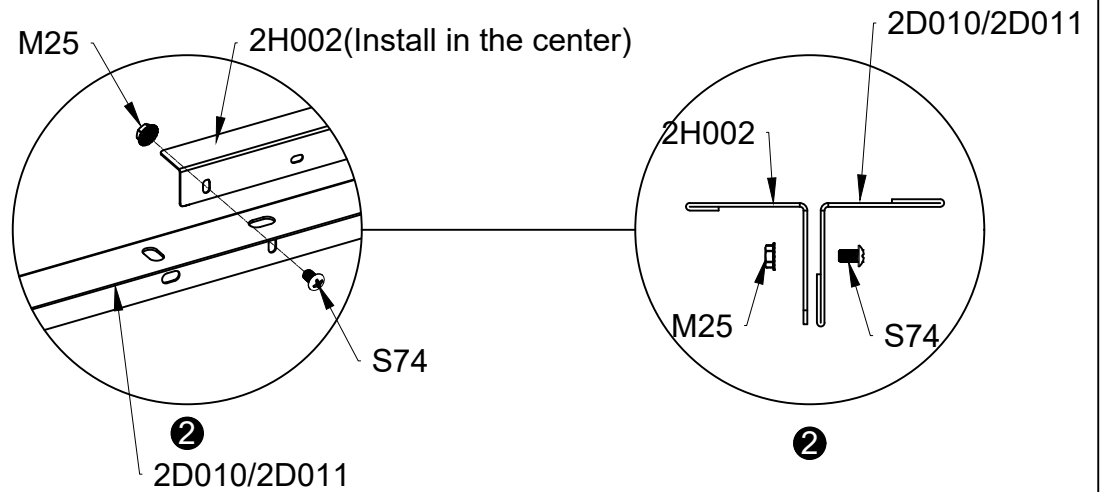
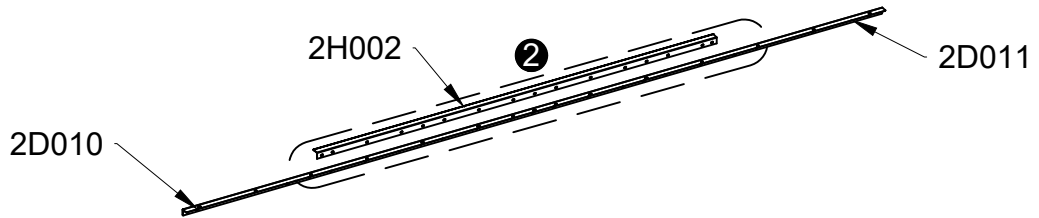
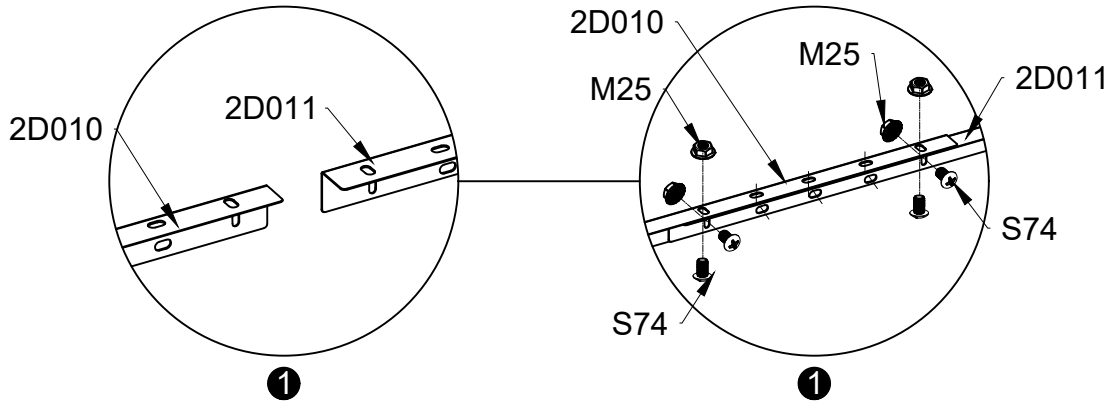
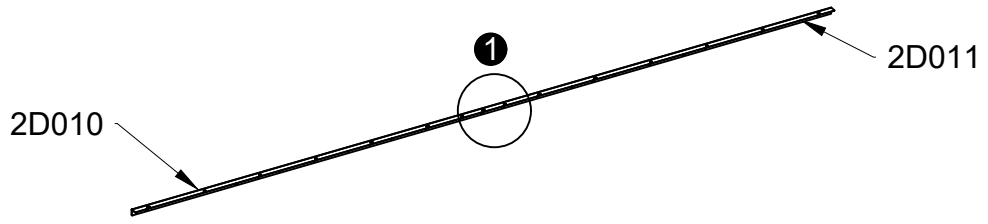




1

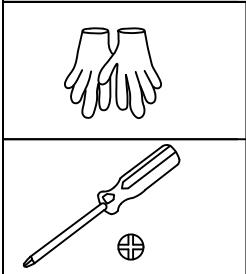
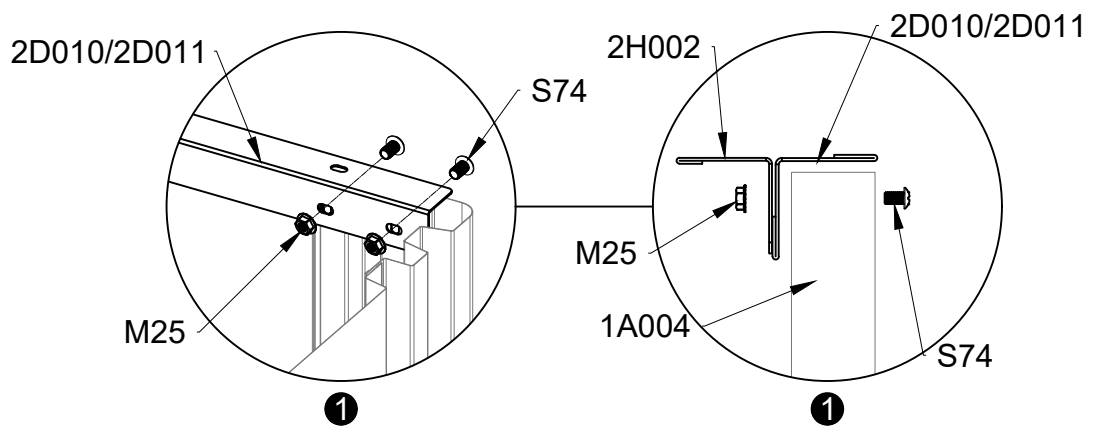
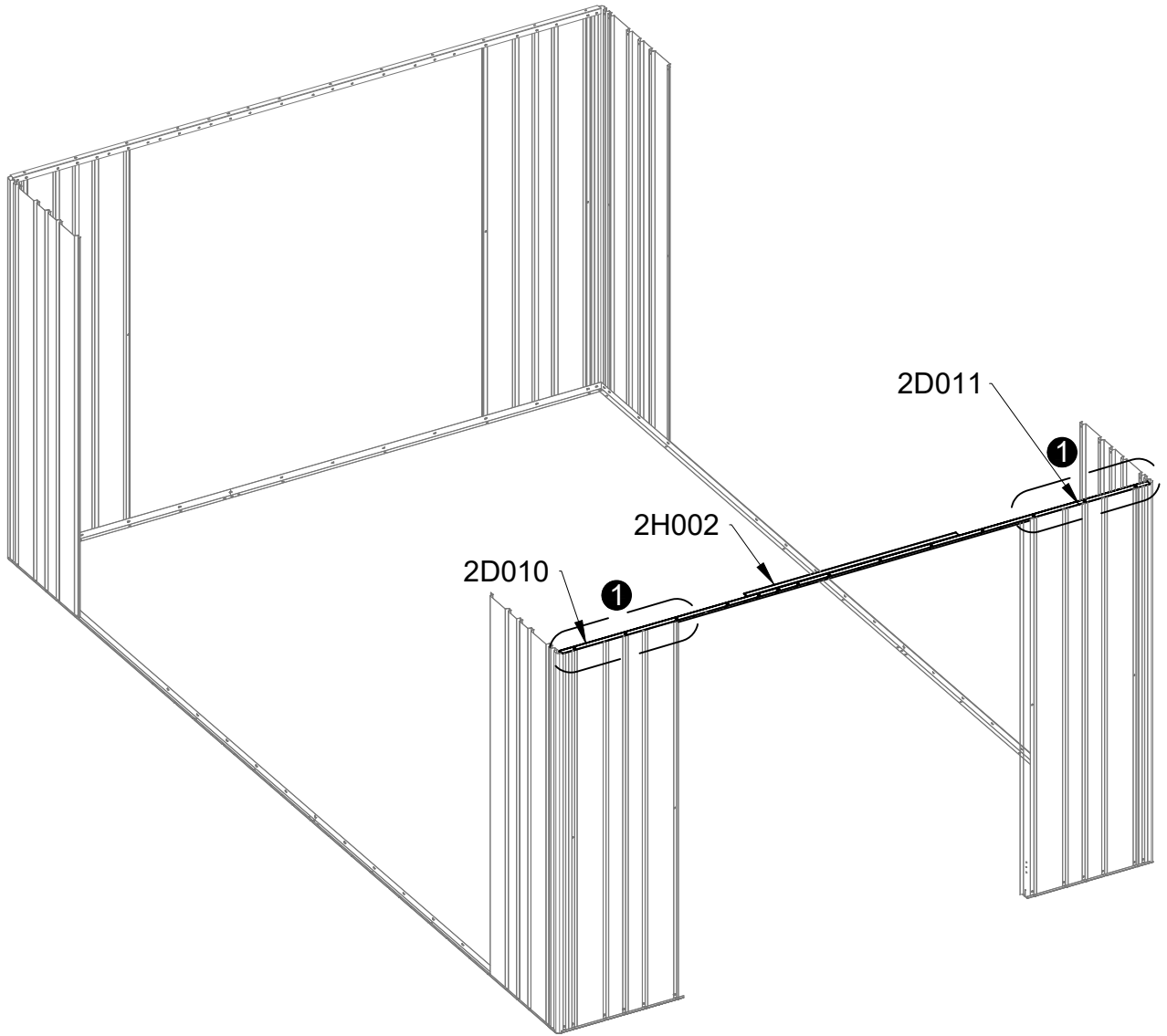
28







1

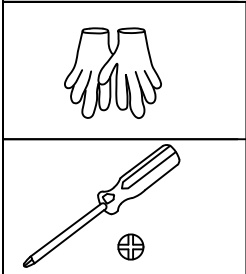
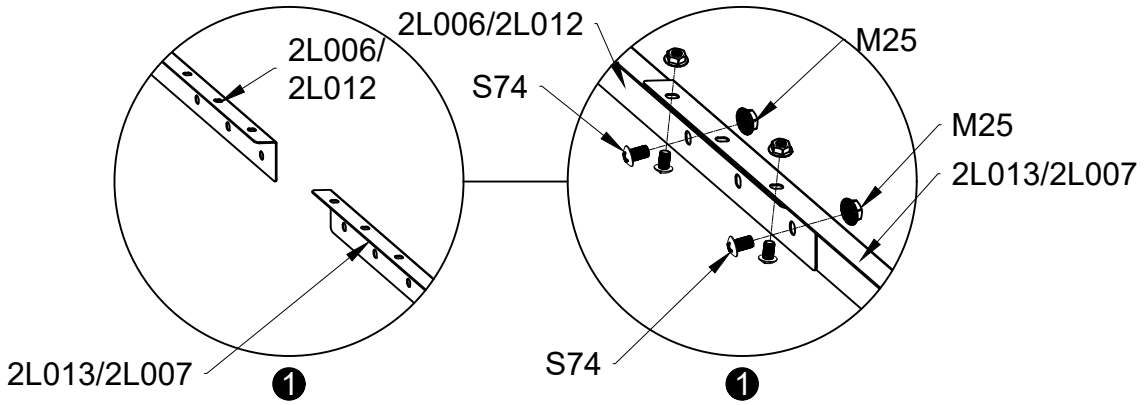
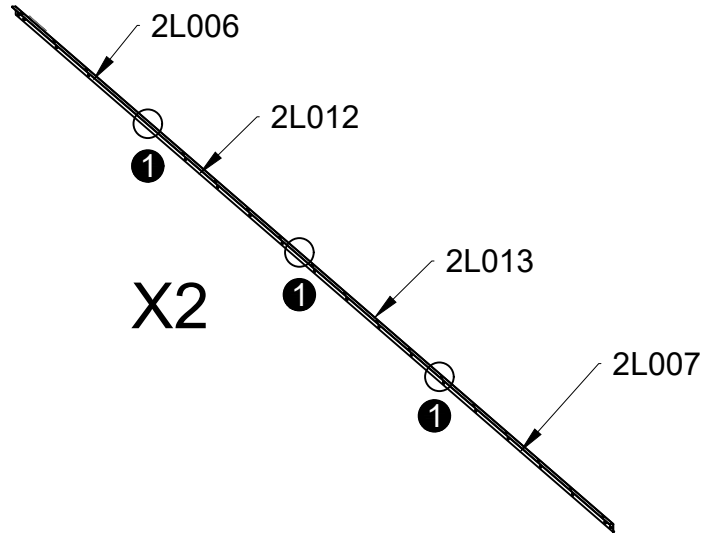
PART	NO	QTY
	2D010	1
	2D011	1
	2H002	1
	S74	9
	M4X8	
	M25	9
	M4	





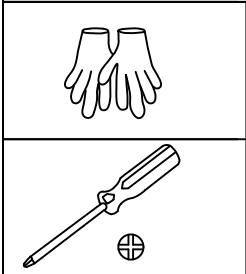
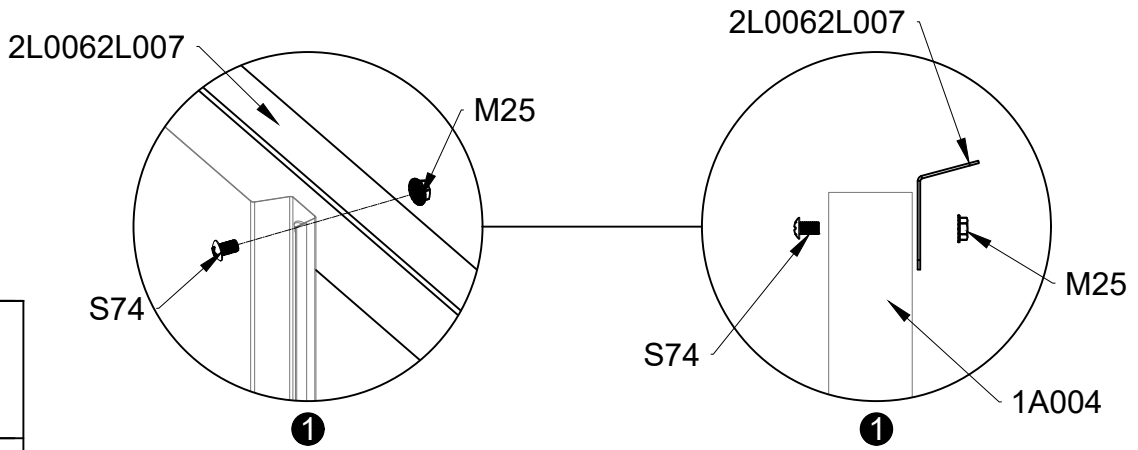
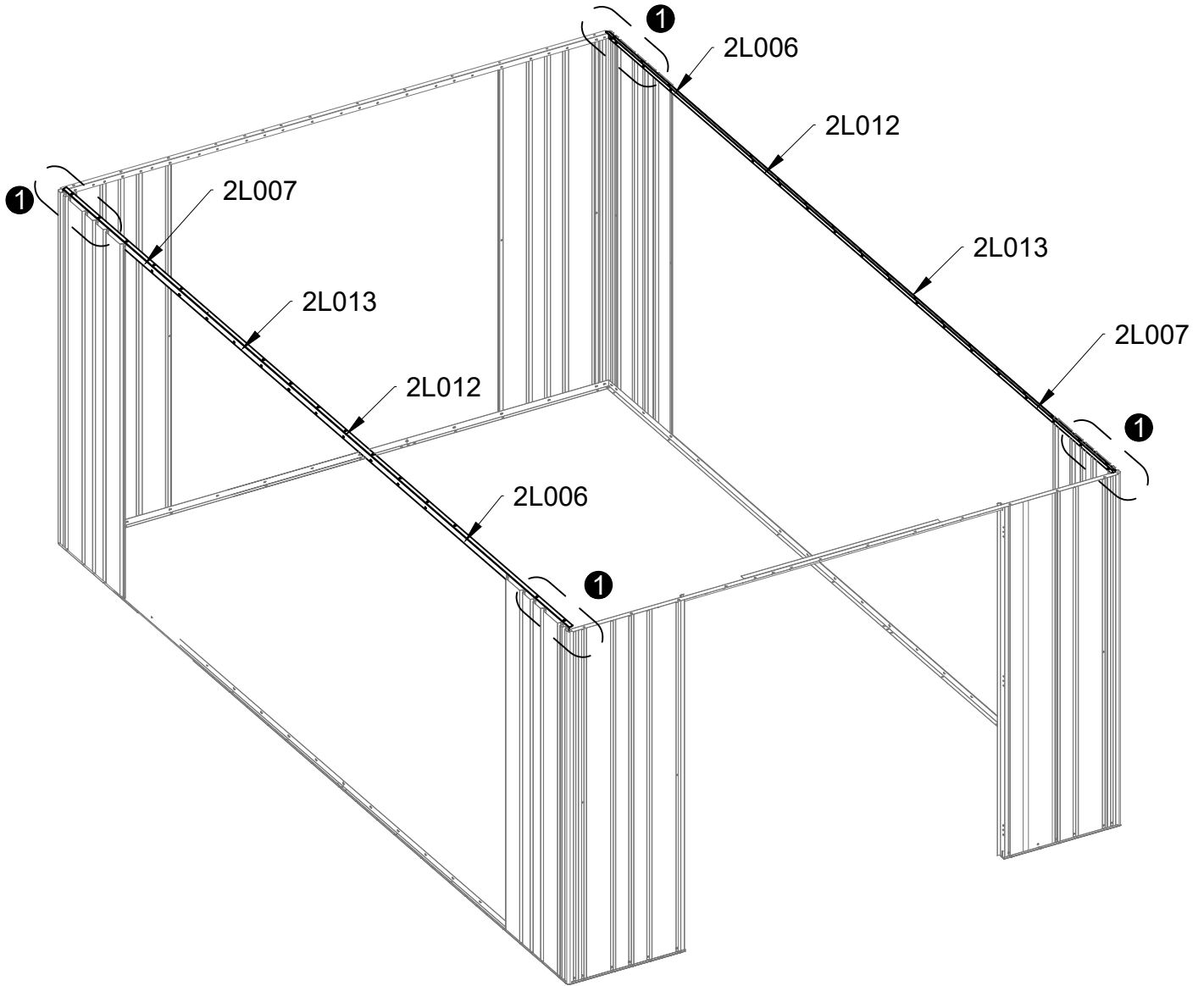
PART	NO	QTY
	S74	8
	M4X8	
	M25	8
	M4	







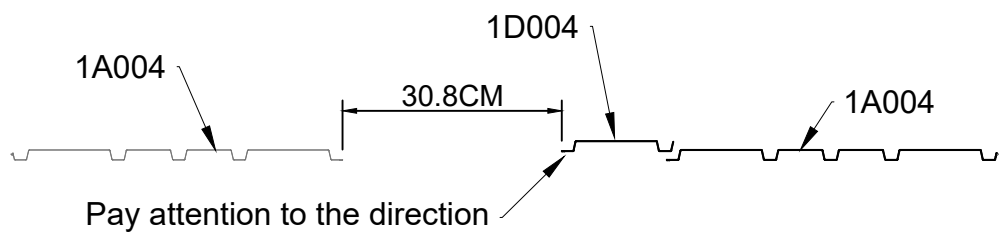
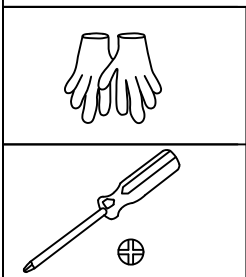
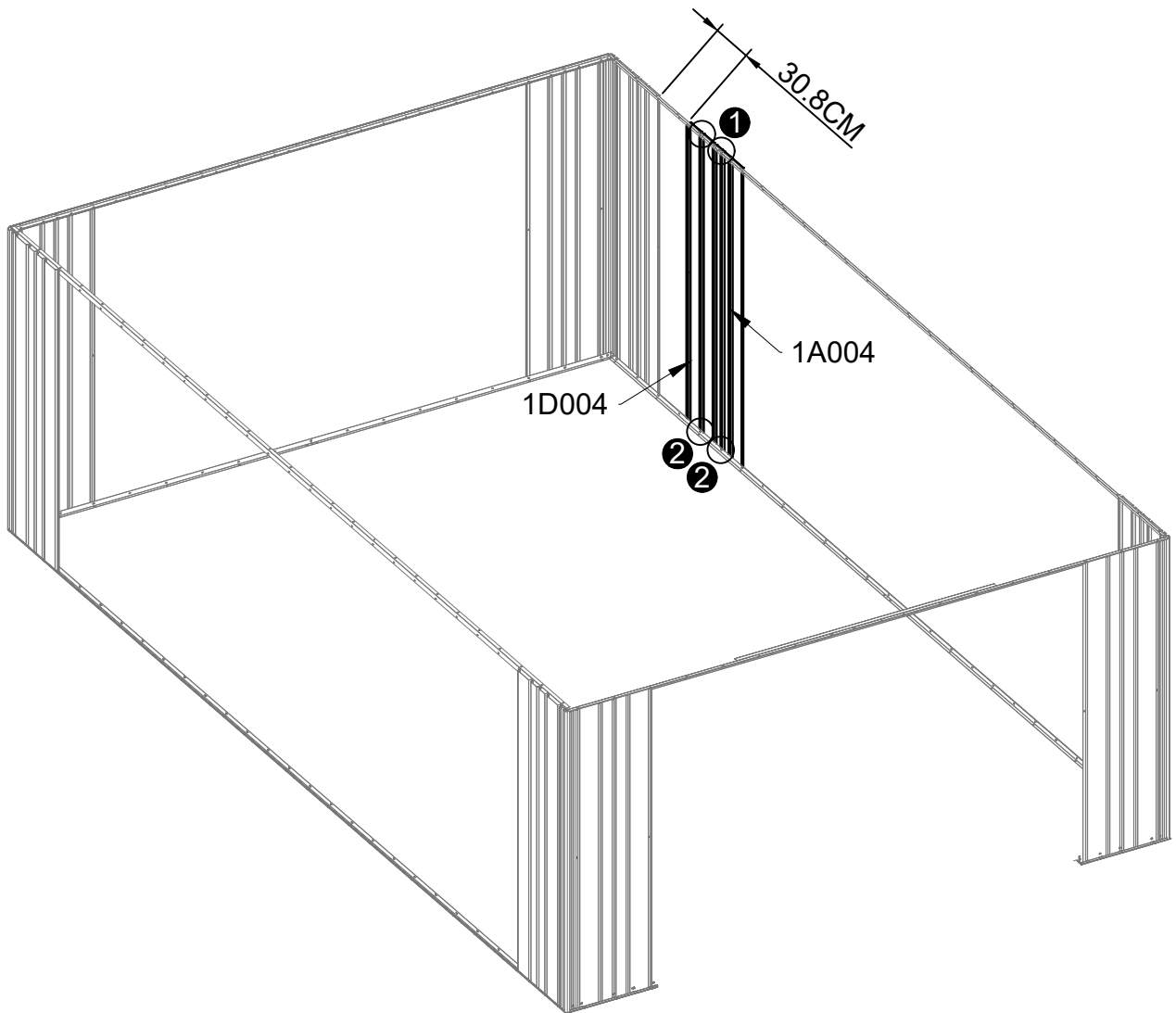
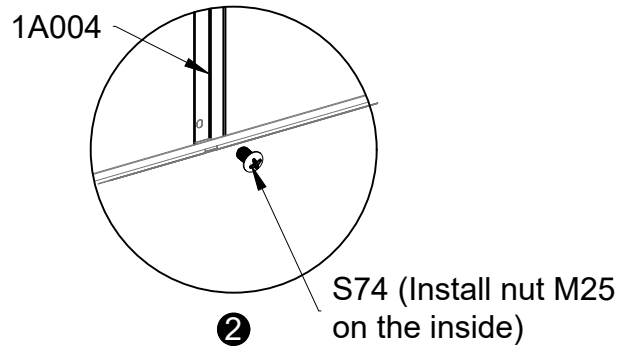
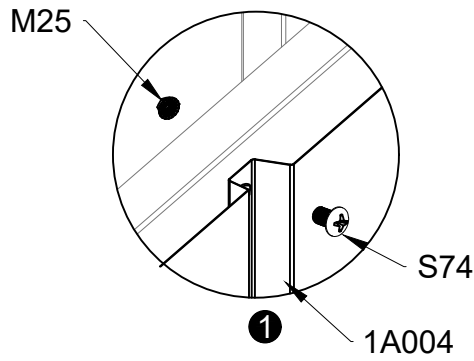
PART	NO	QTY
	2L006	2
	2L007	2
	2L012	2
	2L013	2
	S74	24
	M4X8	
	M25	24
	M4	







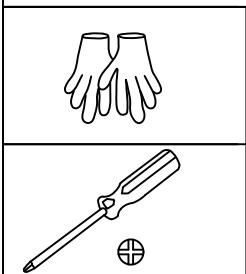
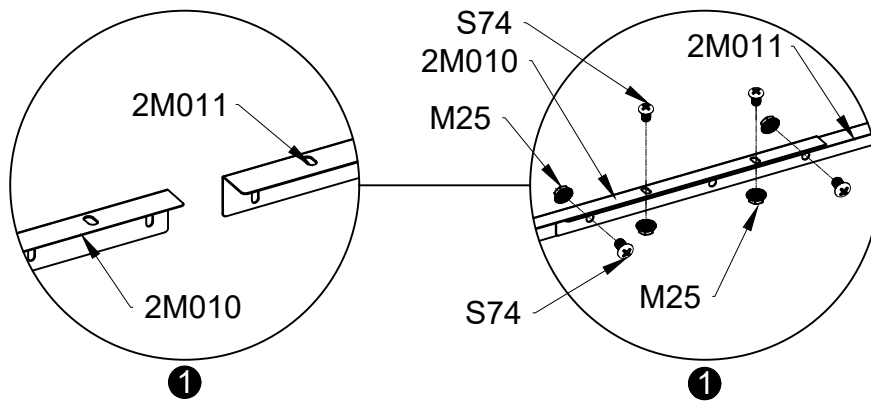
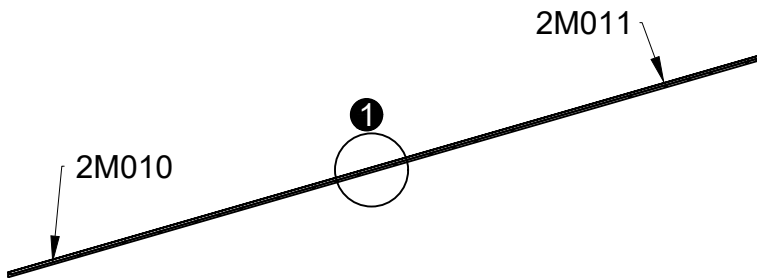
PART	NO	QTY
	S74	12
	M4X8	
	M25	12
	M4	





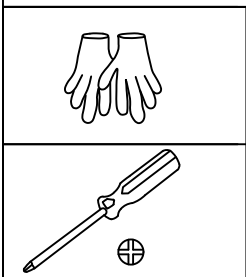
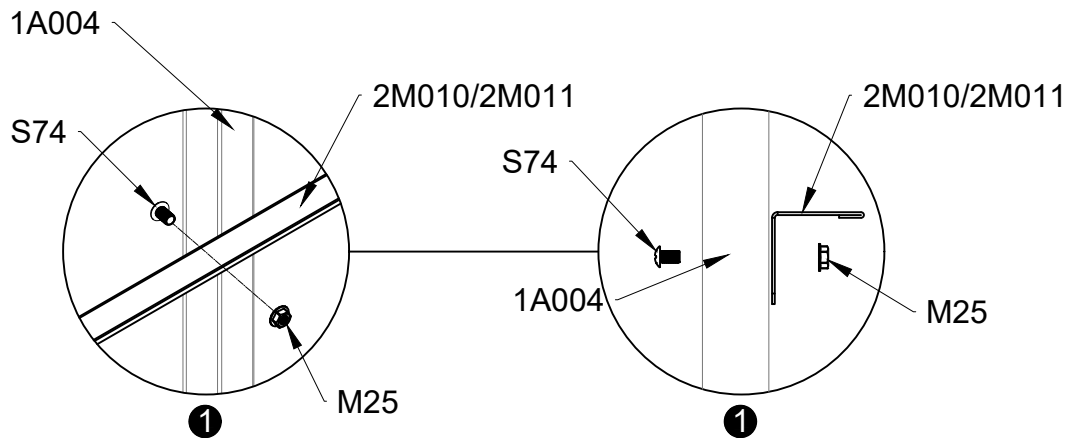
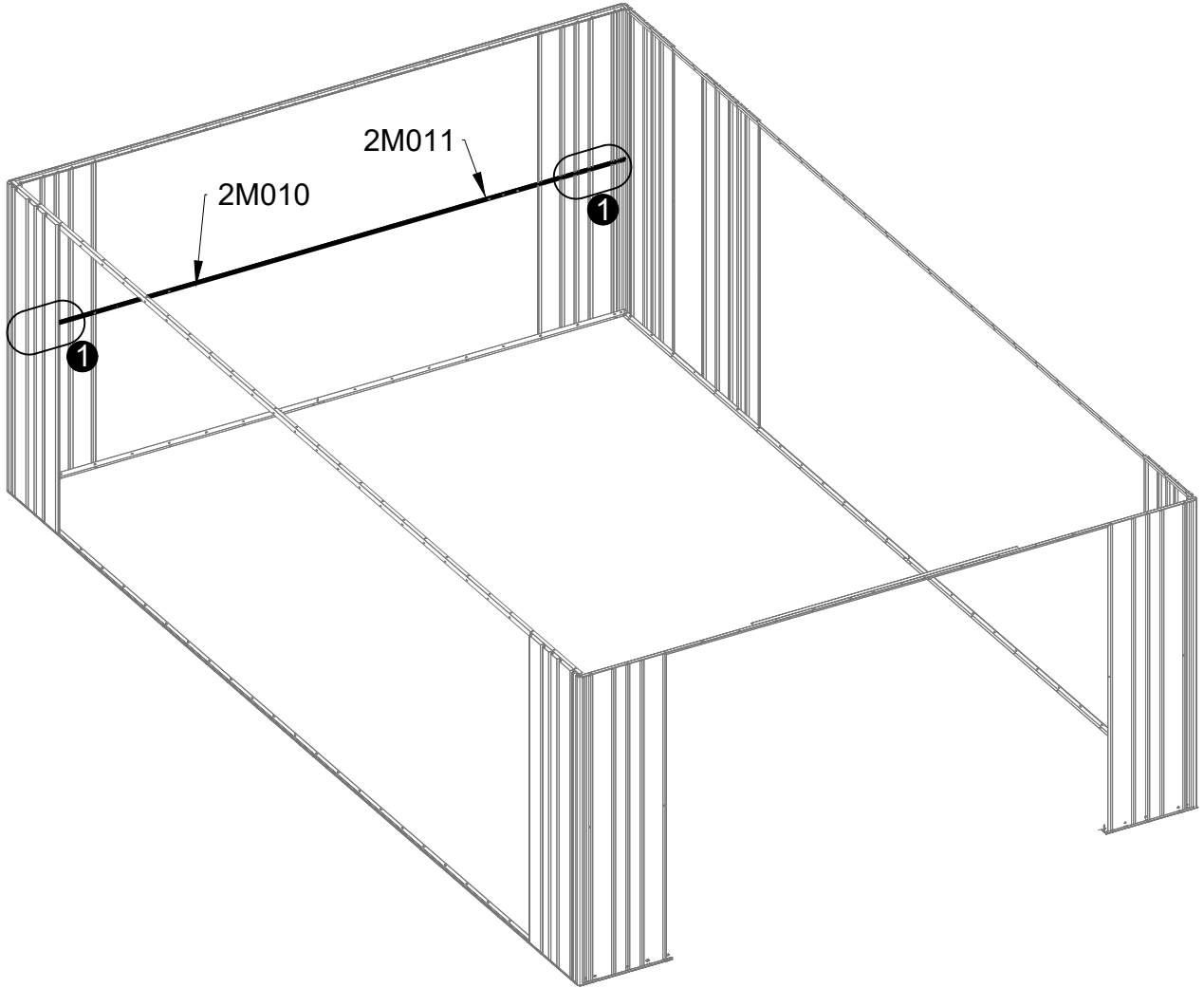
PART	NO	QTY
	1A004	1
	1D004	1
	S74	4
	M4X8	
	M25	4
	M4	









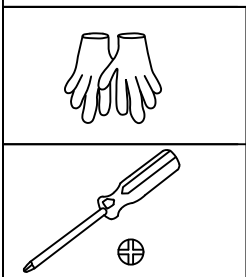
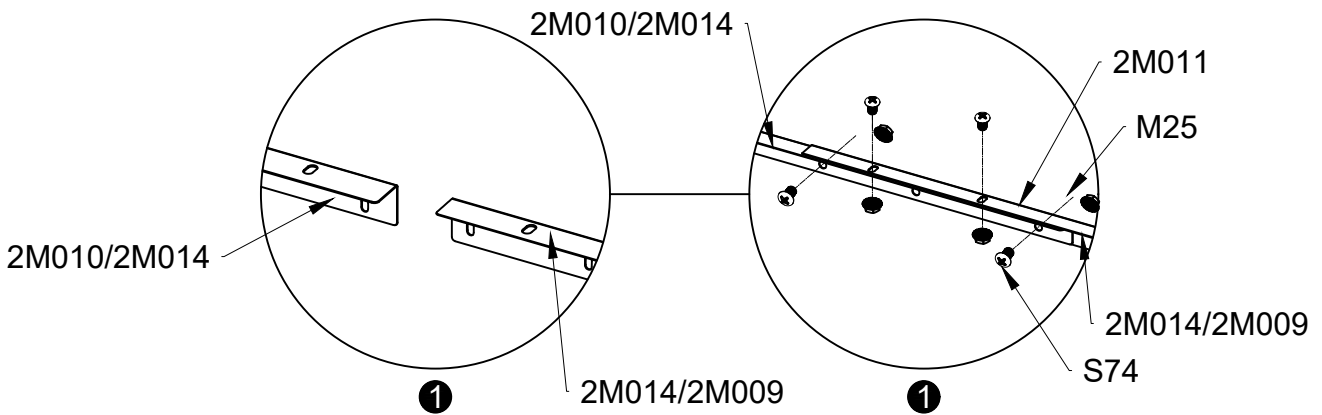
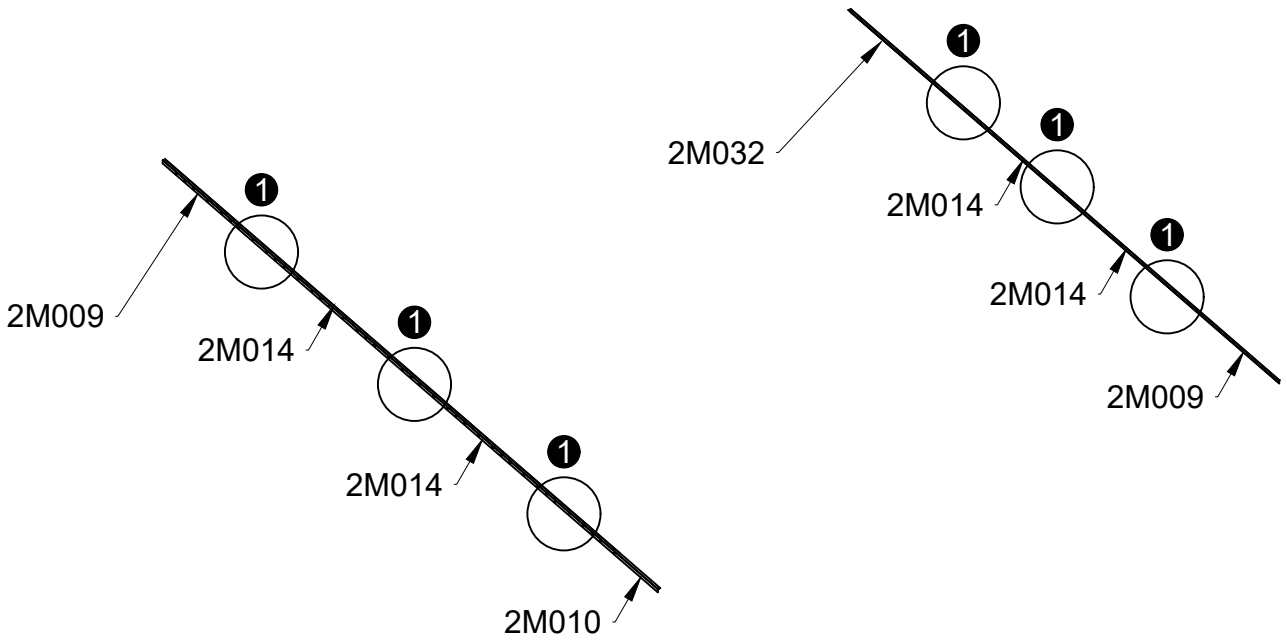
PART	NO	QTY
	2M010	1
	2M011	1
	S74	4
	M4X8	
	M25	4
	M4	





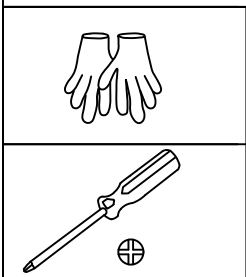
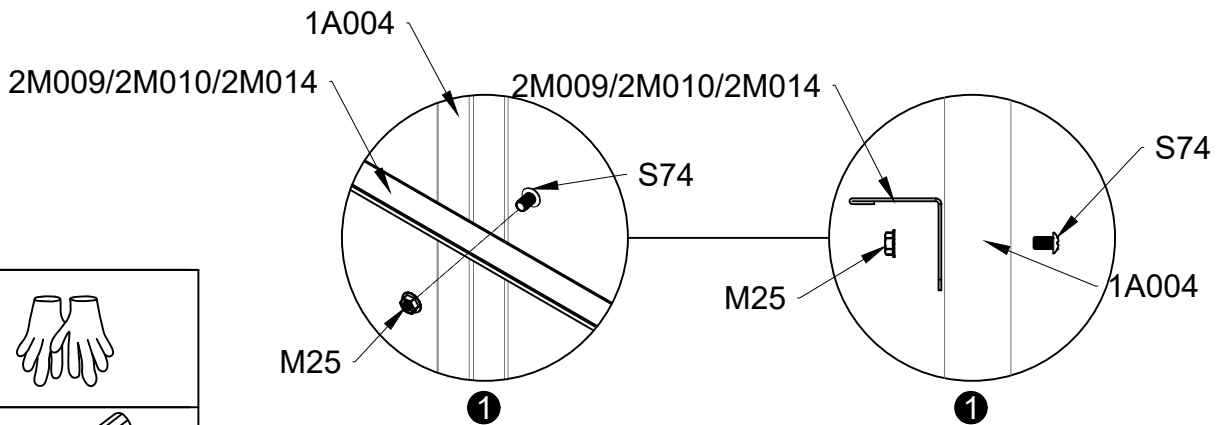
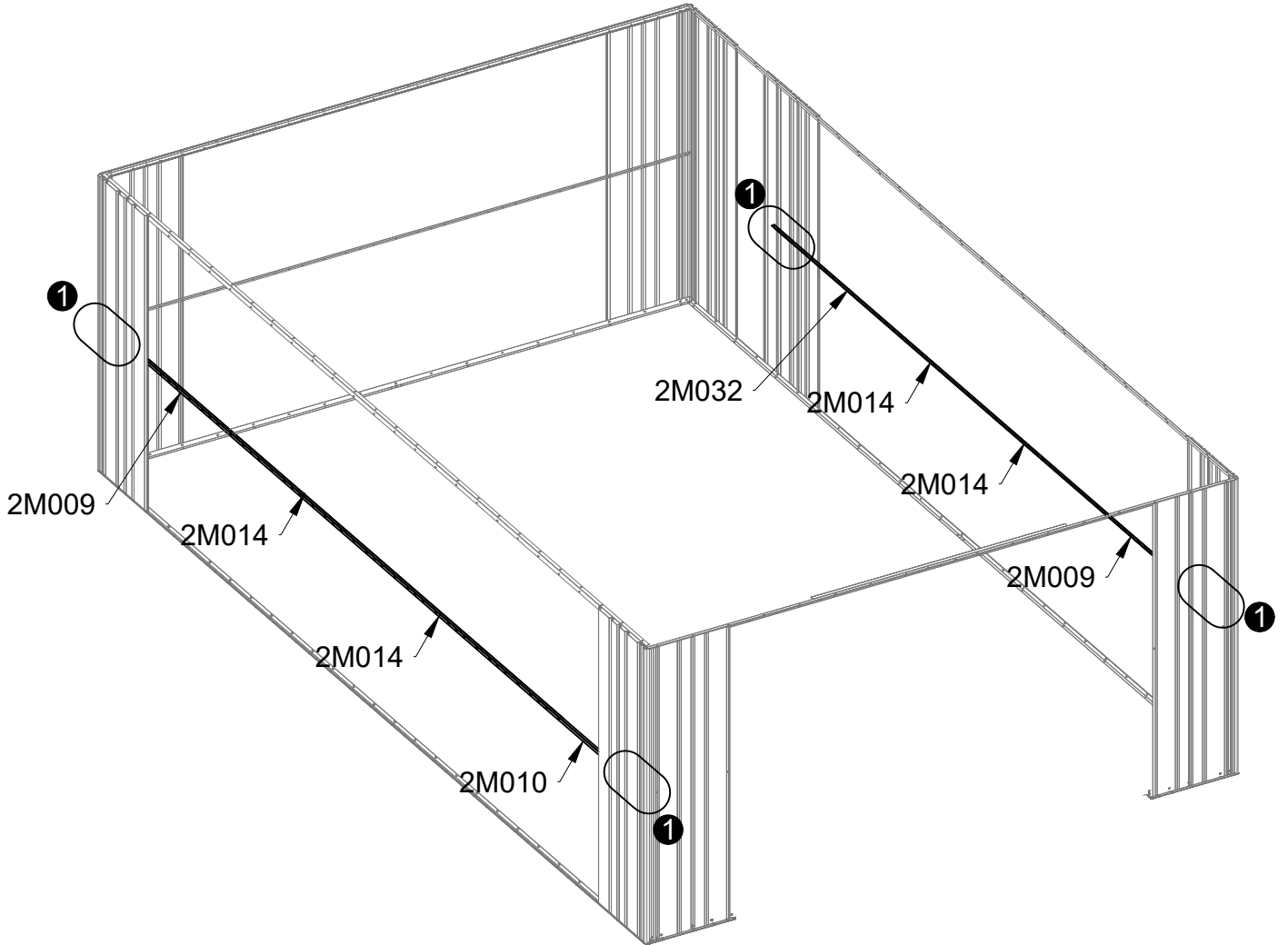
PART	NO	QTY
	S74	4
	M4X8	
	M25	4
	M4	



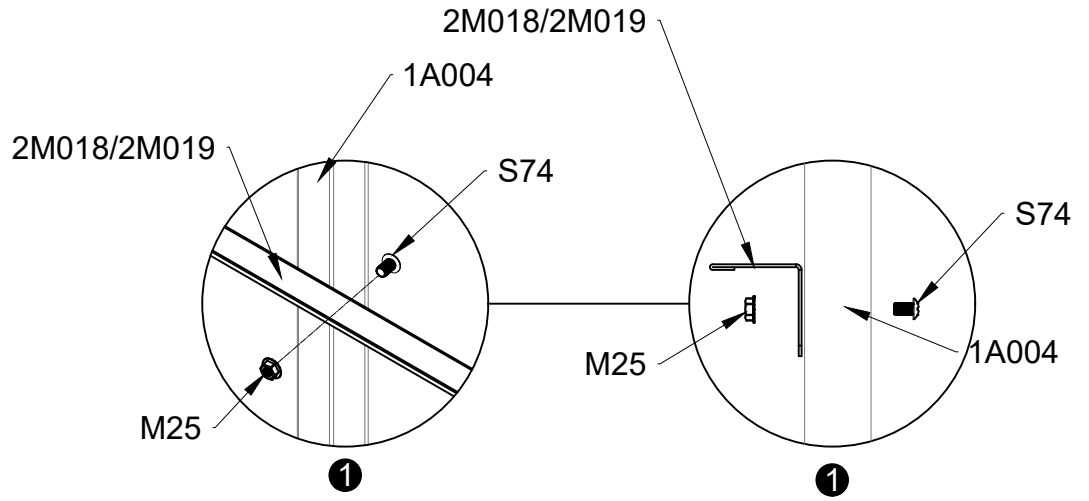
PART	NO	QTY
	2M009	2
	2M010	1
	2M014	4
	2M032	1
	S74	24
	M4X8	
	M25	24
	M4	



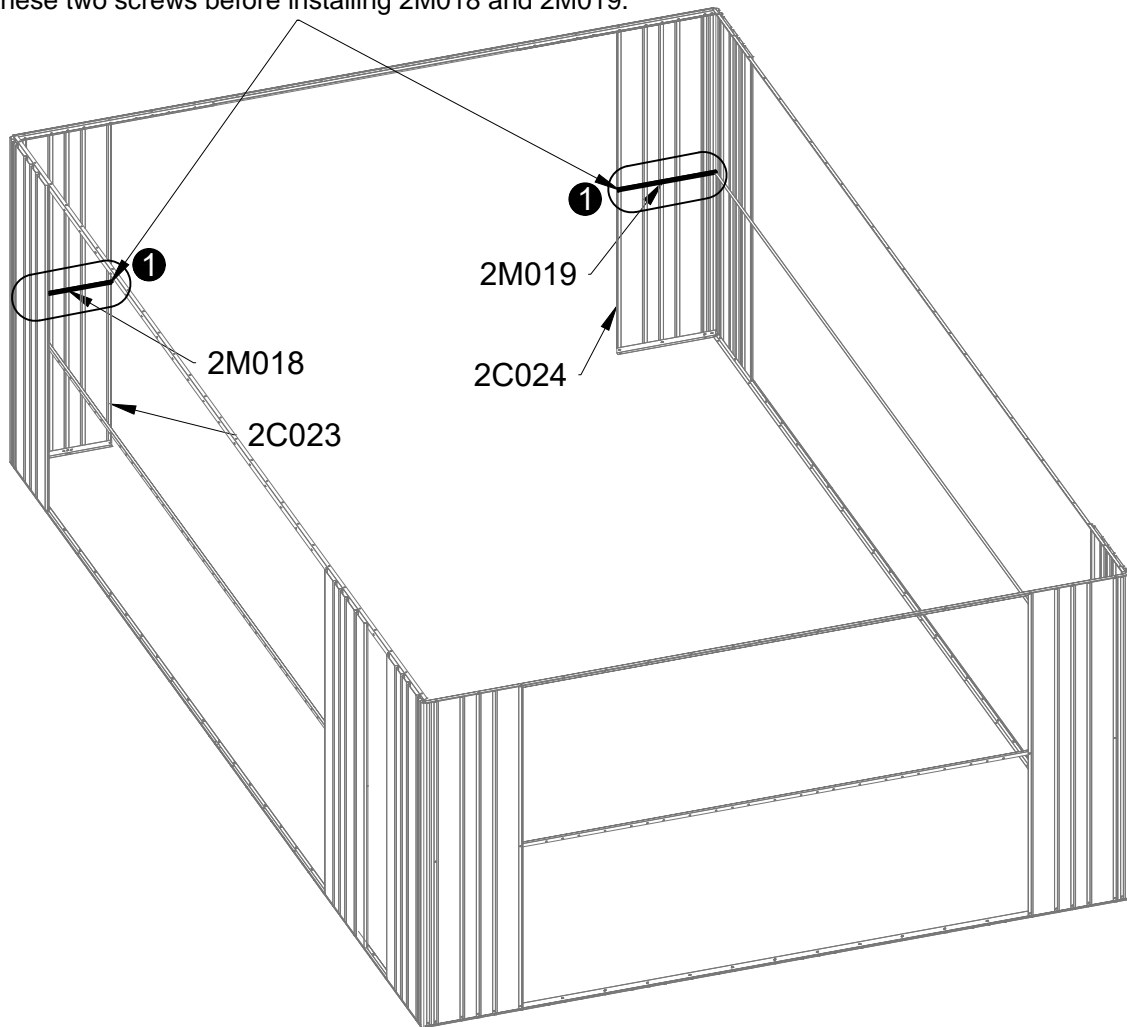
PART	NO	QTY
	S74	8
	M4X8	
	M25	8
	M4	



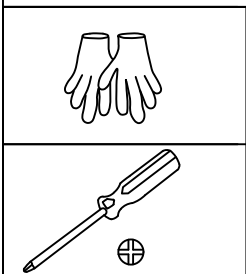
PART	NO	QTY
	2M018	1
	2M019	1
	S74 M4X8	6
	M25 M4	6

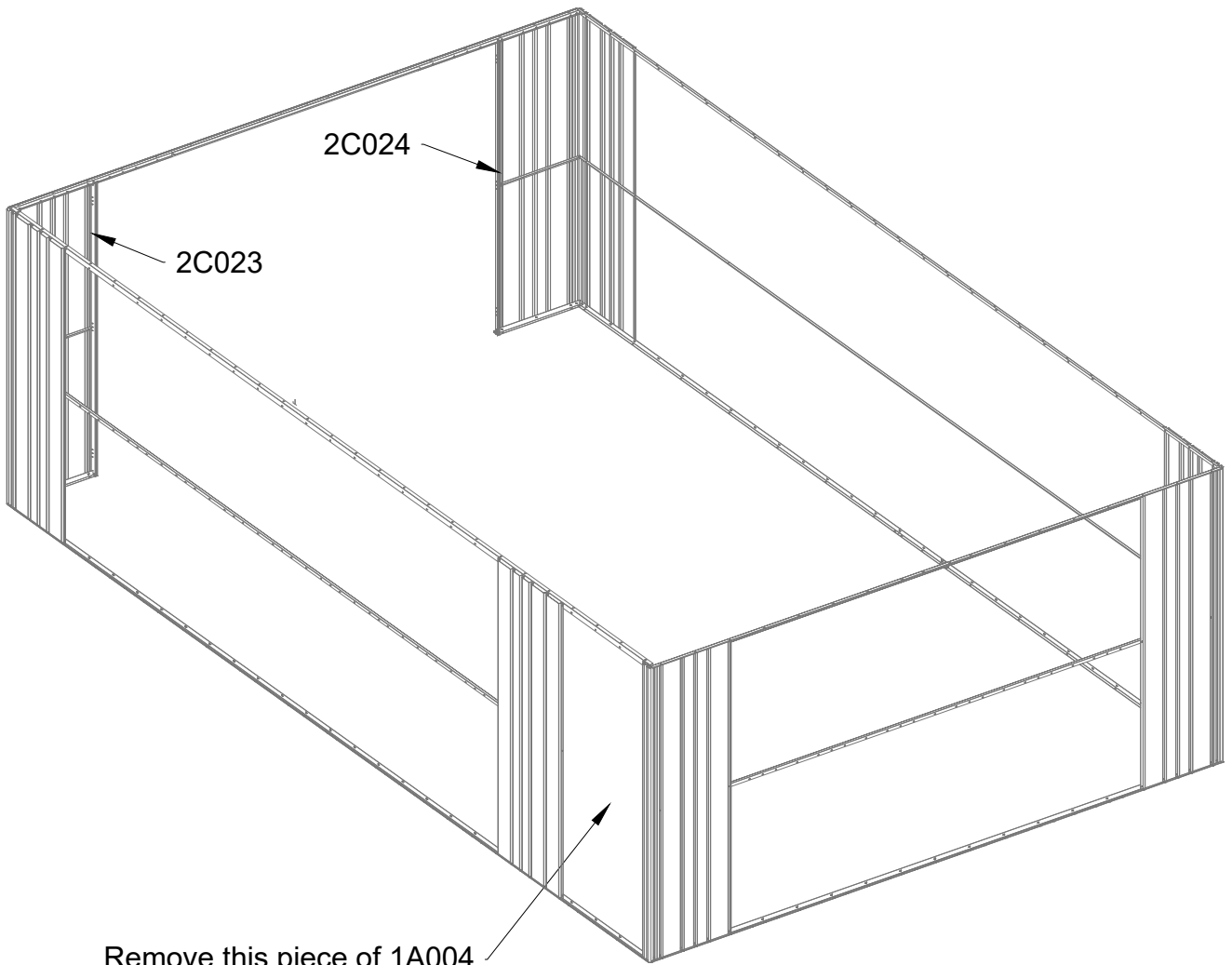


Remove these two screws before installing 2M018 and 2M019.



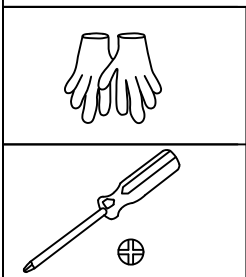
To facilitate installation, adjust the orientation of the view.







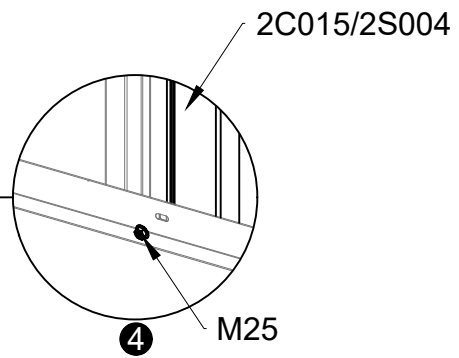
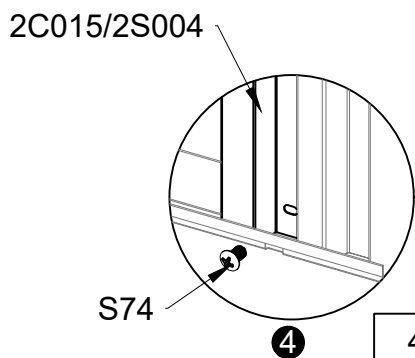
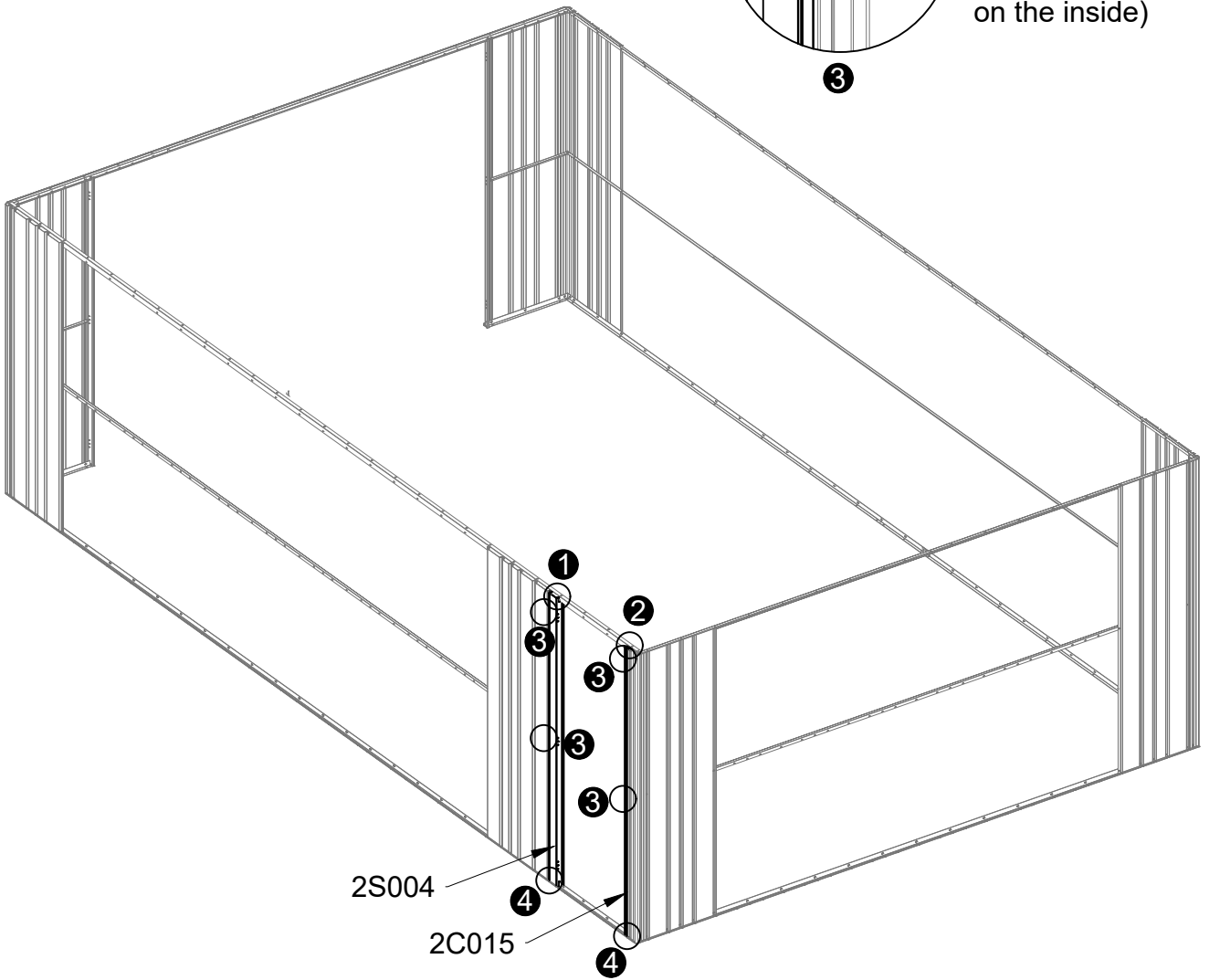
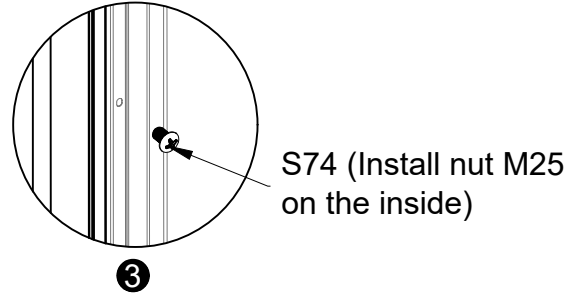
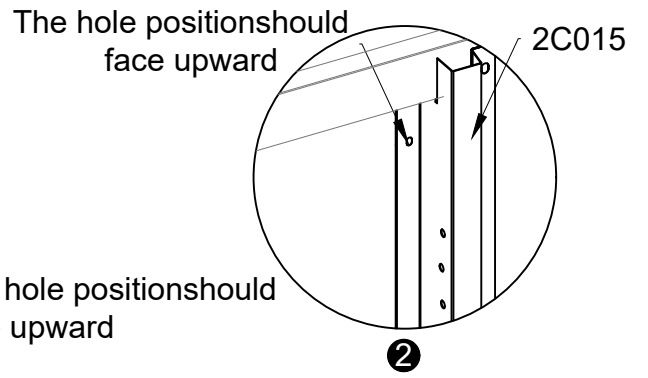
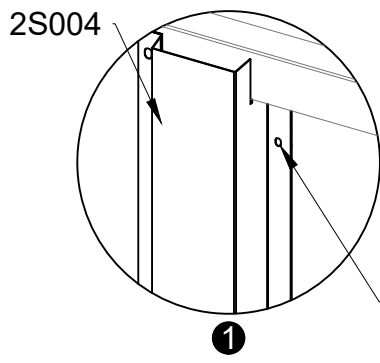


Remove this piece of 1A004

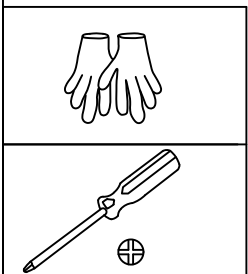
To facilitate installation, adjust the orientation of the view.

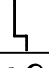




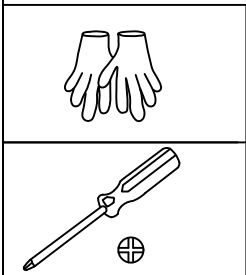
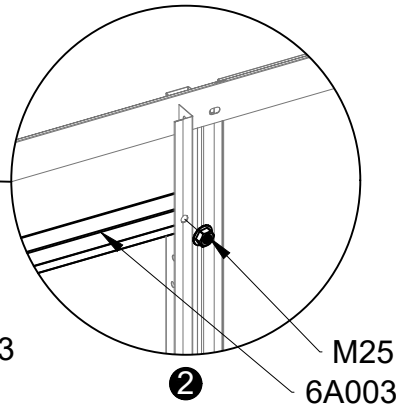
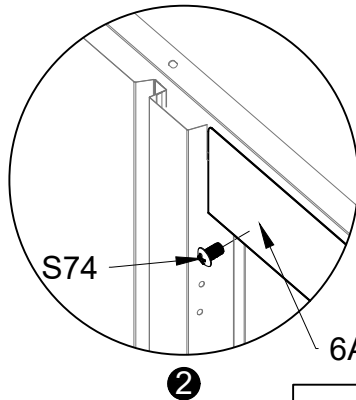
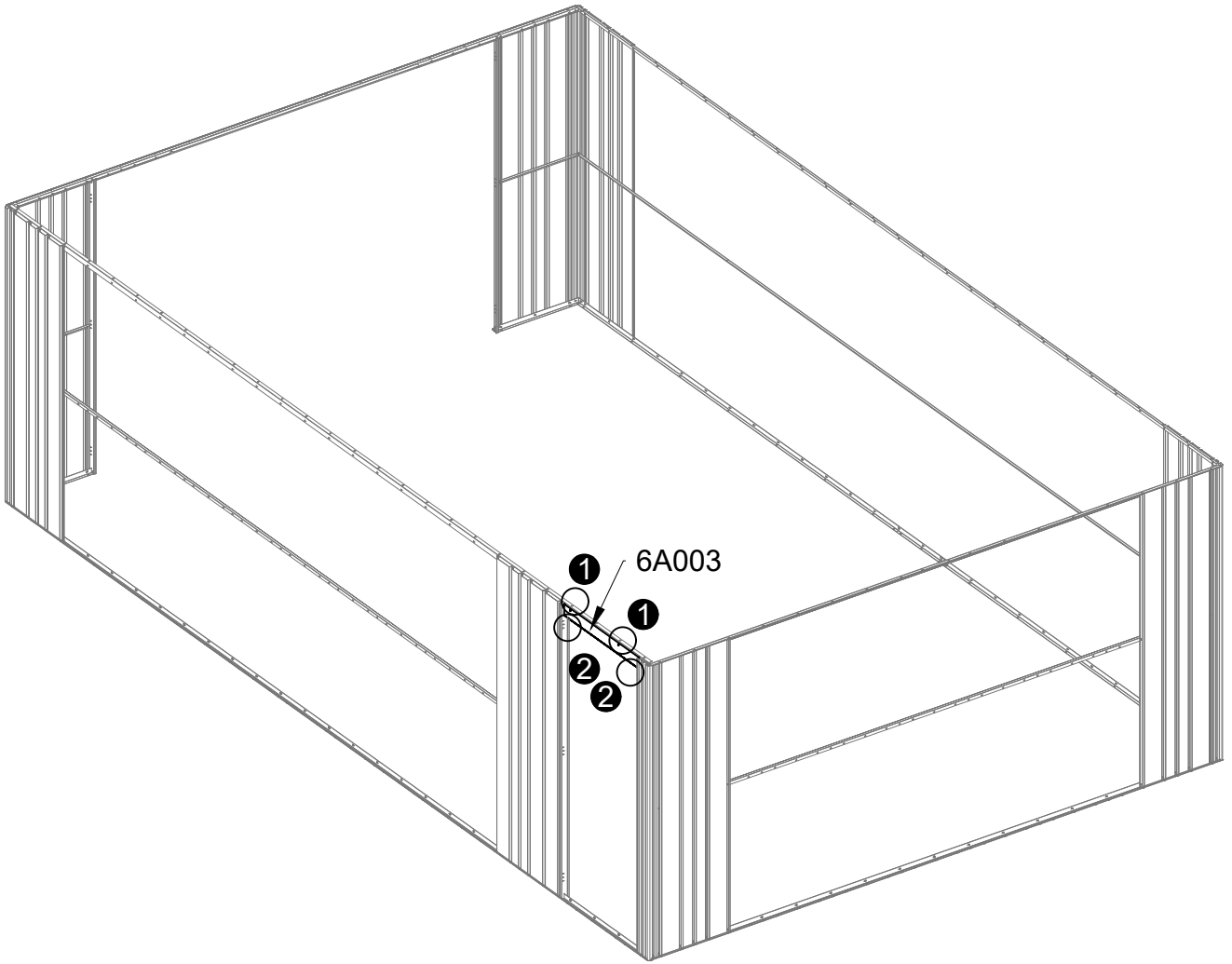
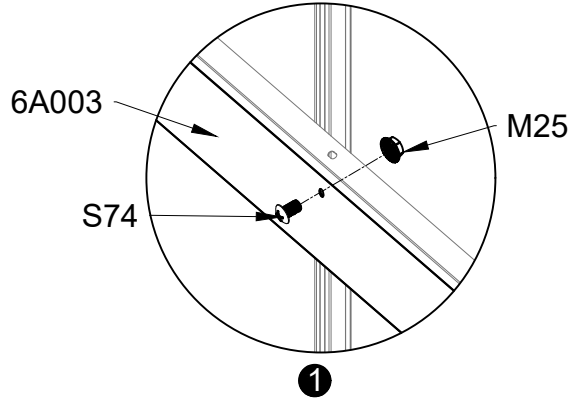
PART	NO	QTY
	2C015	1
	2S004	1
	S74	6
	M4X8	
	M25	6
	M4	









40

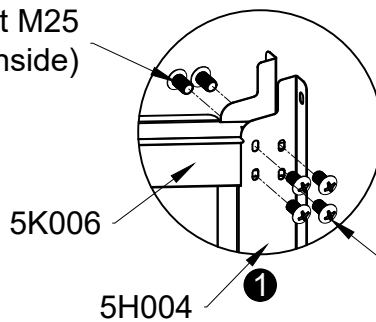


PART	NO	QTY
	6A003	1
	S74 M4X8	4
	M25 M4	4



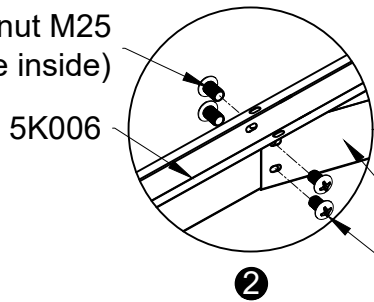
PART	NO	QTY
	5H004	4
	5J006	2
	D490	2
	5K006	4
	S74 M4X8	64
	M25 M4	64

S74 (Install nut M25 on the inside)

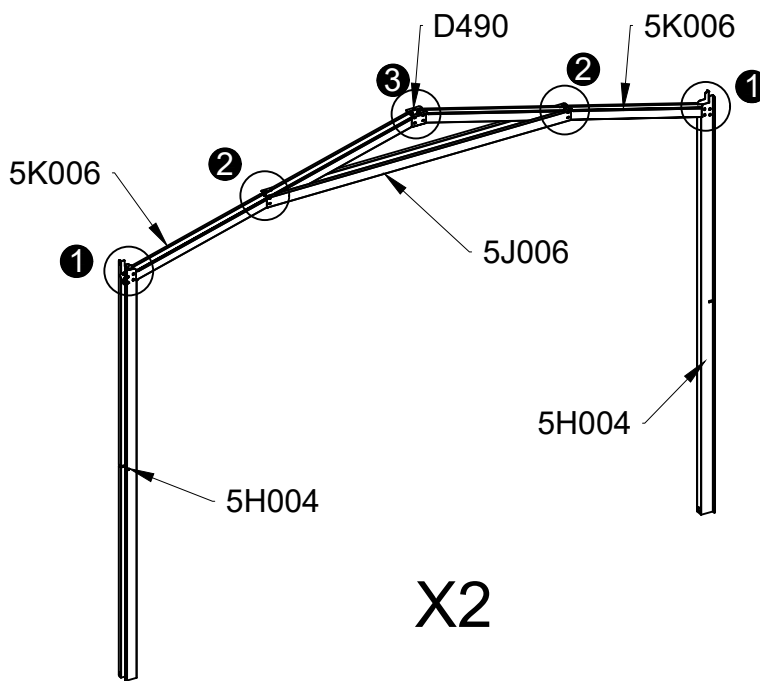


S74 (Install nut M25 on the inside)

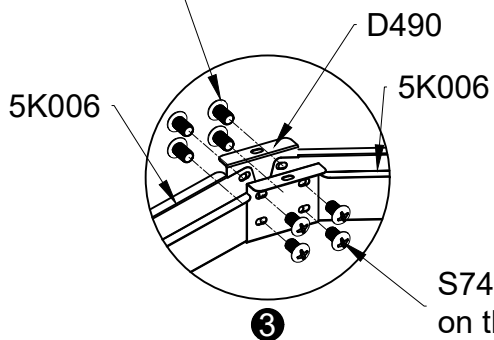
S74 (Install nut M25 on the inside)



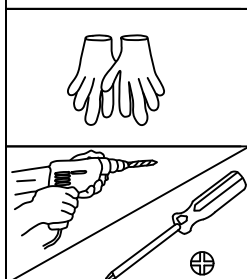
S74 (Install nut M25 on the inside)





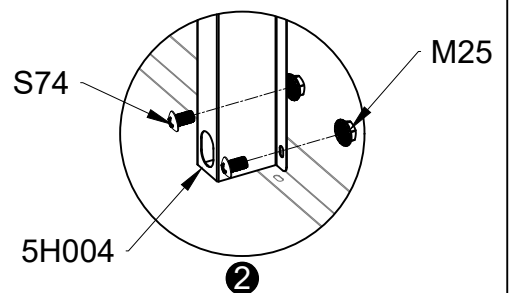
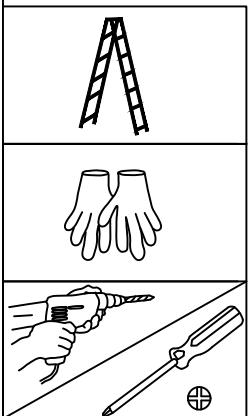
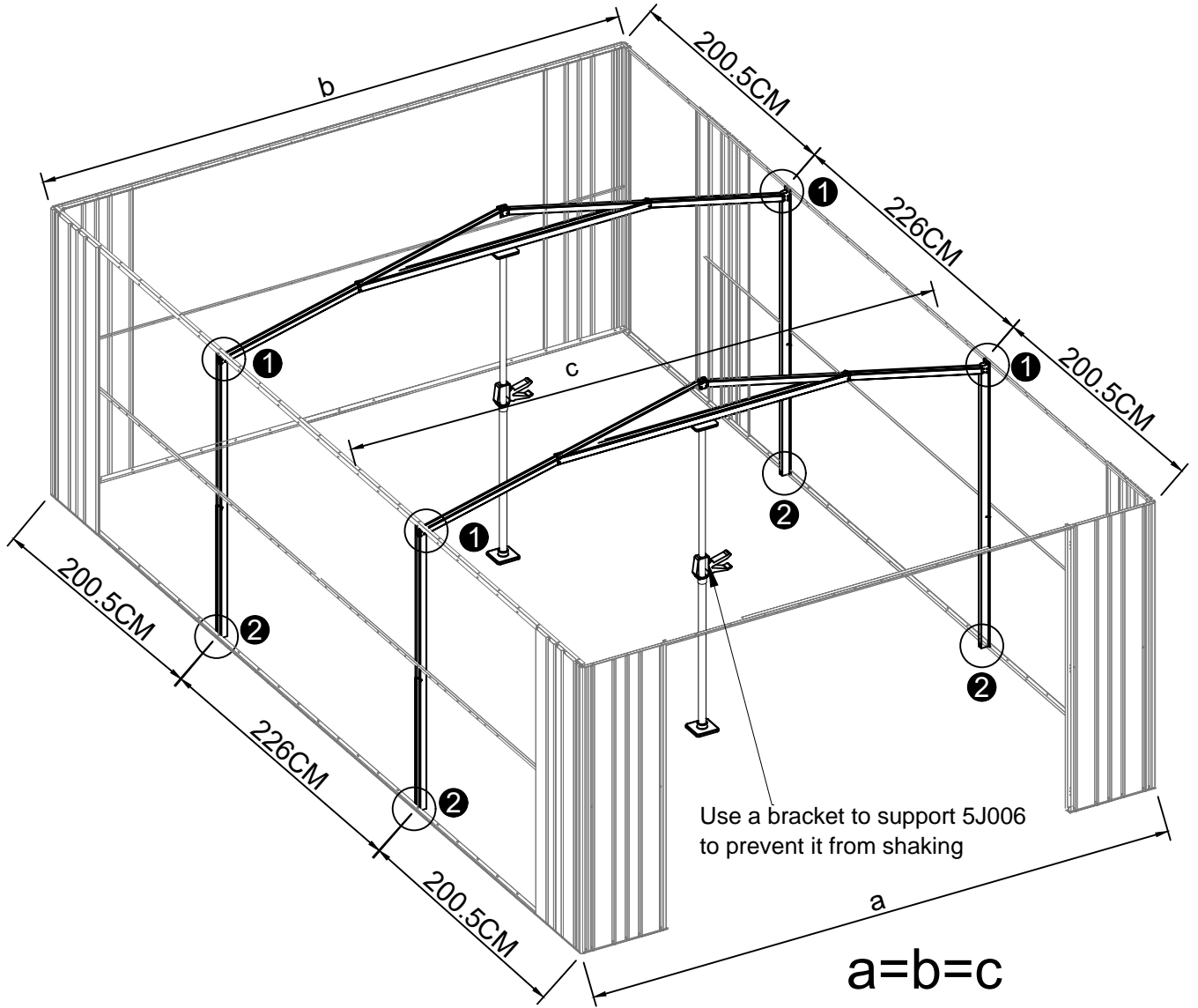
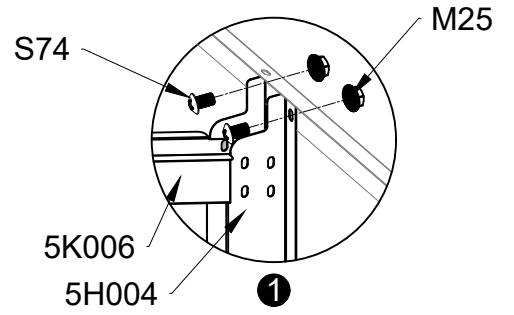
S74 (Install nut M25 on the inside)







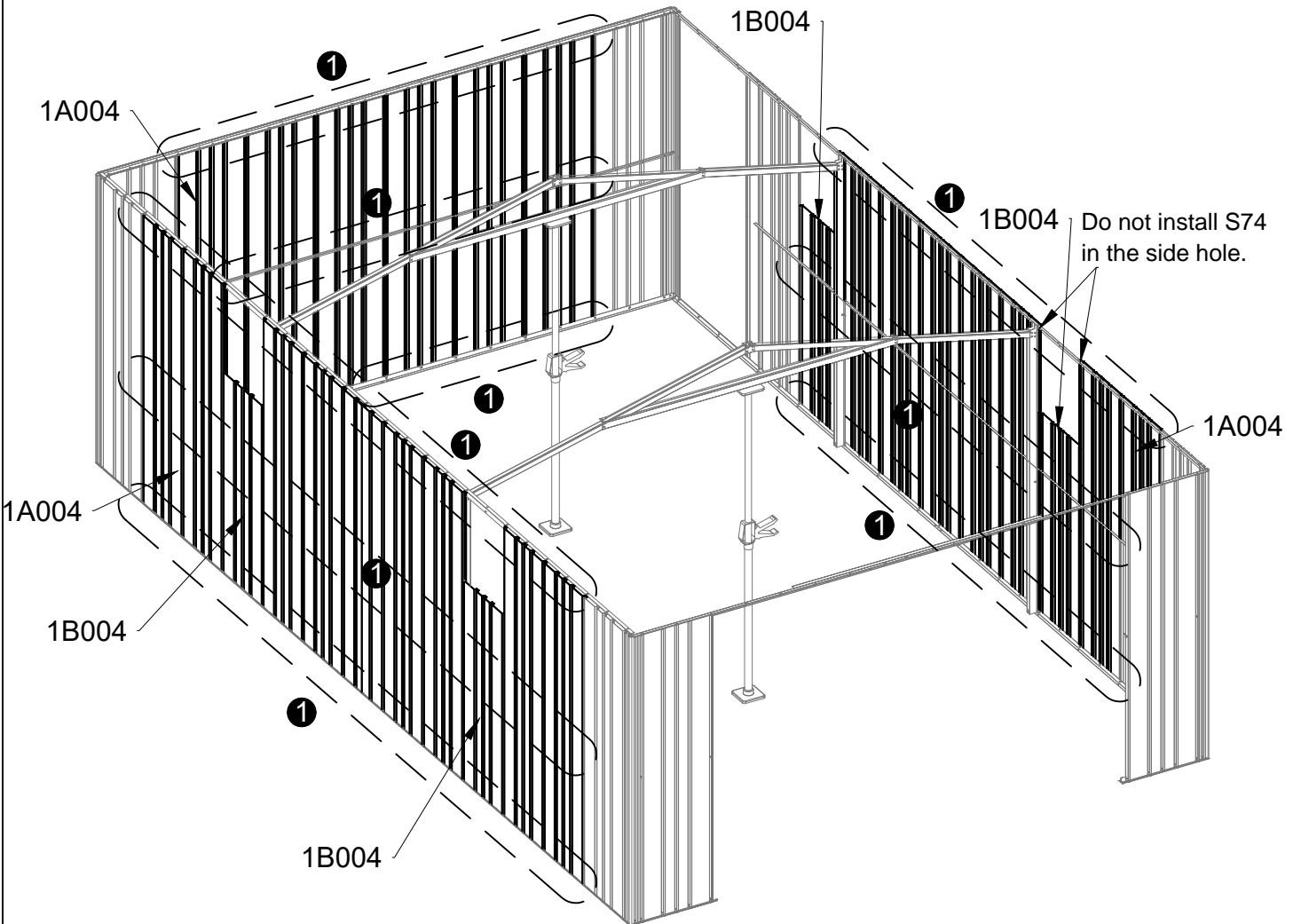
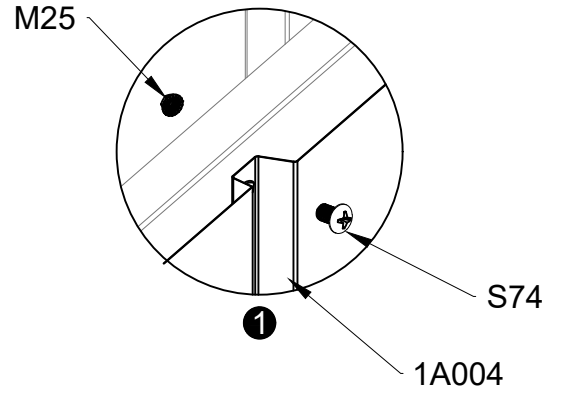
S74 (Install nut M25 on the inside)



PART	NO	QTY
	S74	16
	M4X8	
	M25	16
	M4	

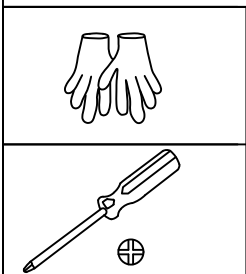




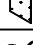




PART	NO	QTY
	1A004	22
	1B004	4
	S74 M4X8	157
	M25 M4	157

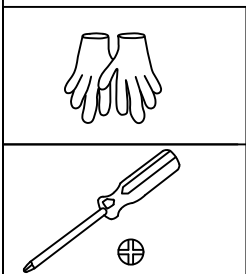
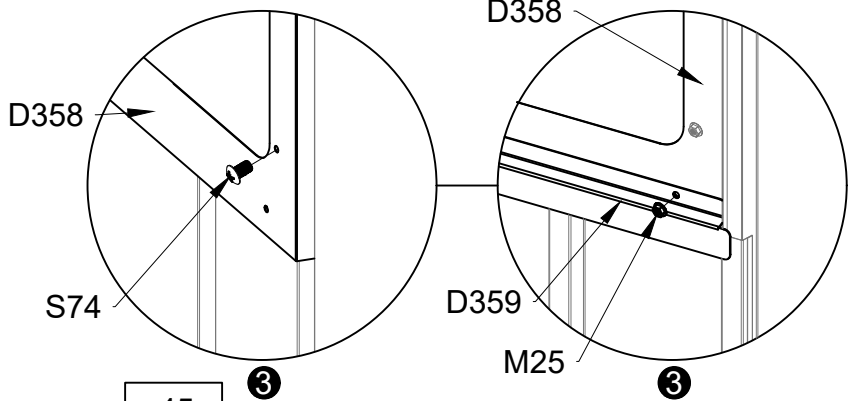
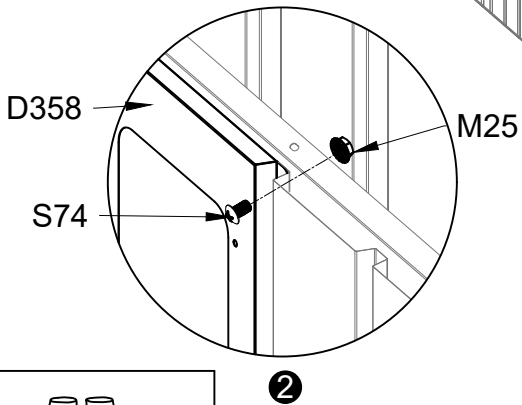
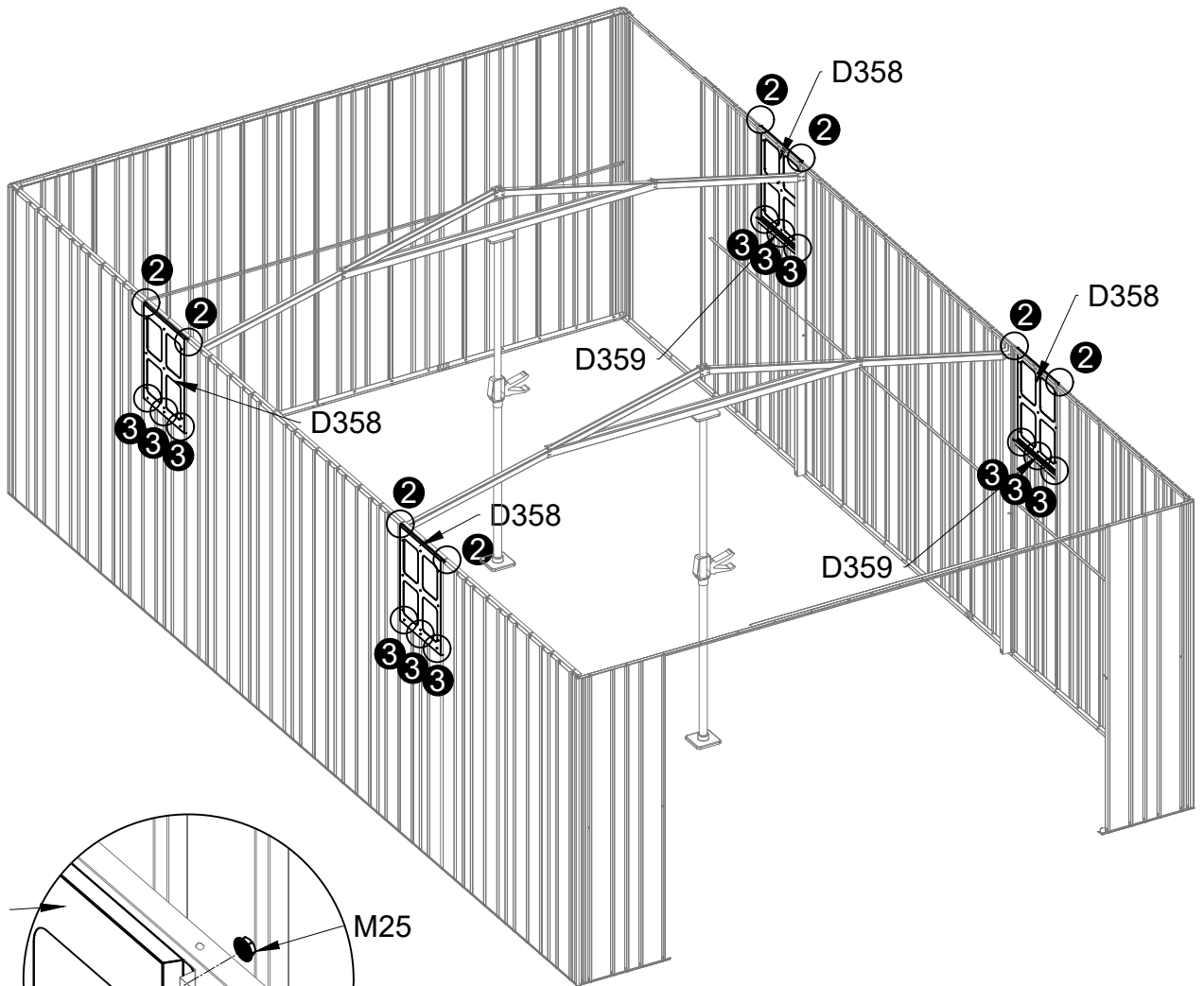
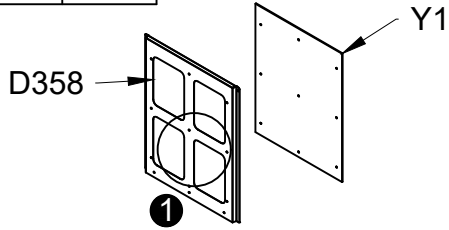
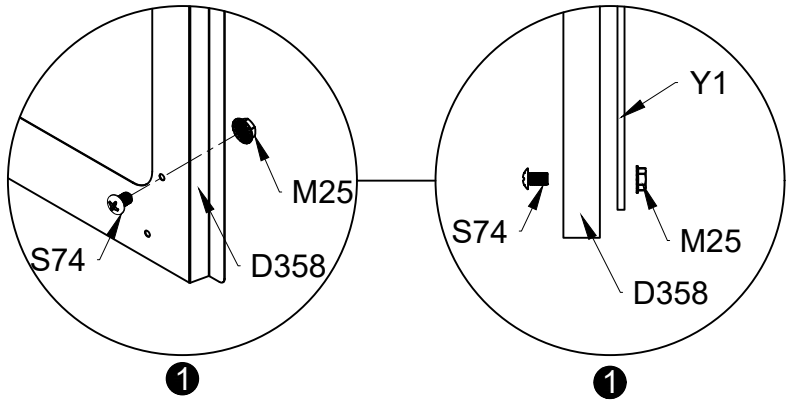


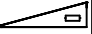
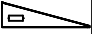







1B004 above is the installation of the window position can be adjusted according to the actual situation of the individual position

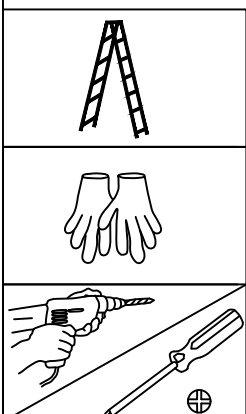
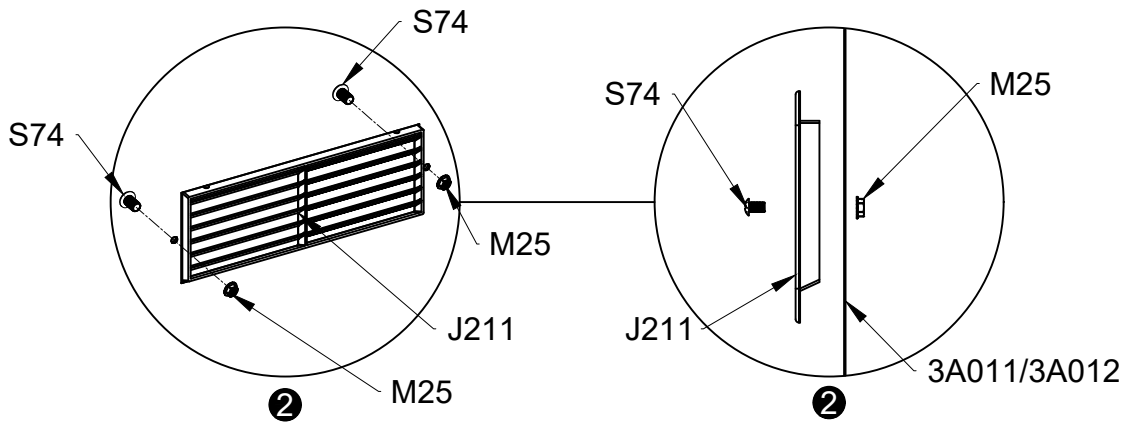
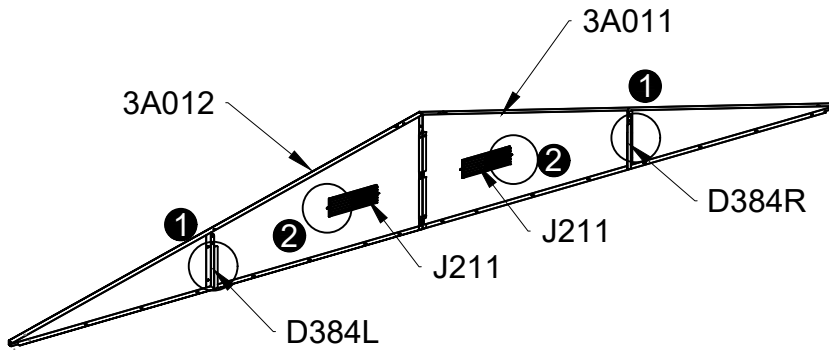
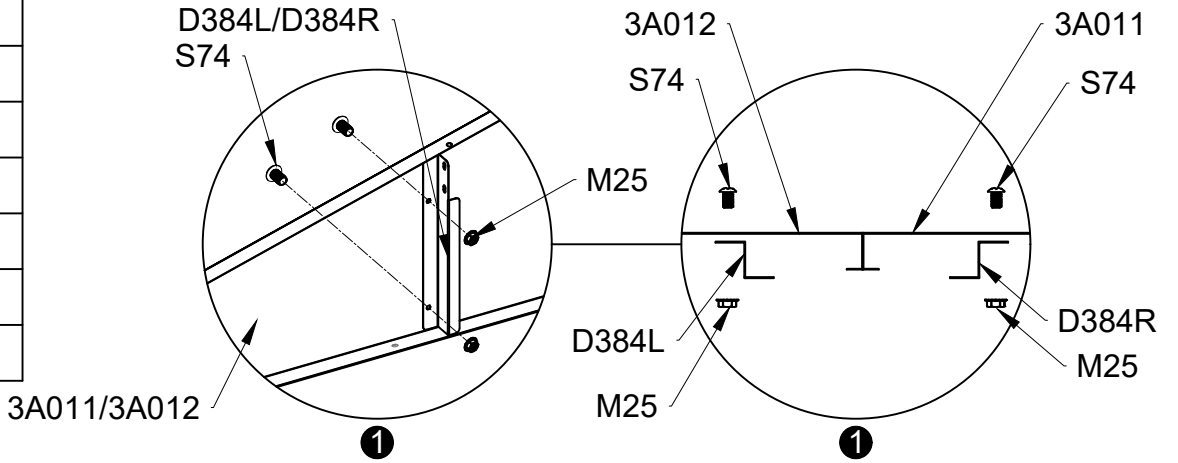
Do not install S74 at the top of 1A004 near the window (1B004) for now.





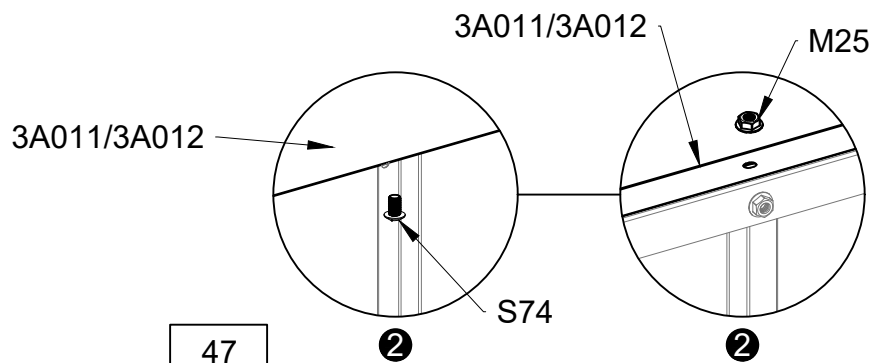
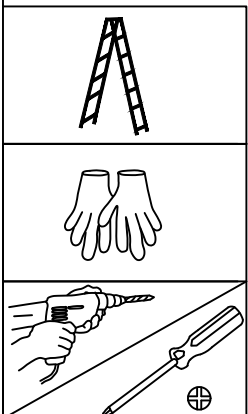
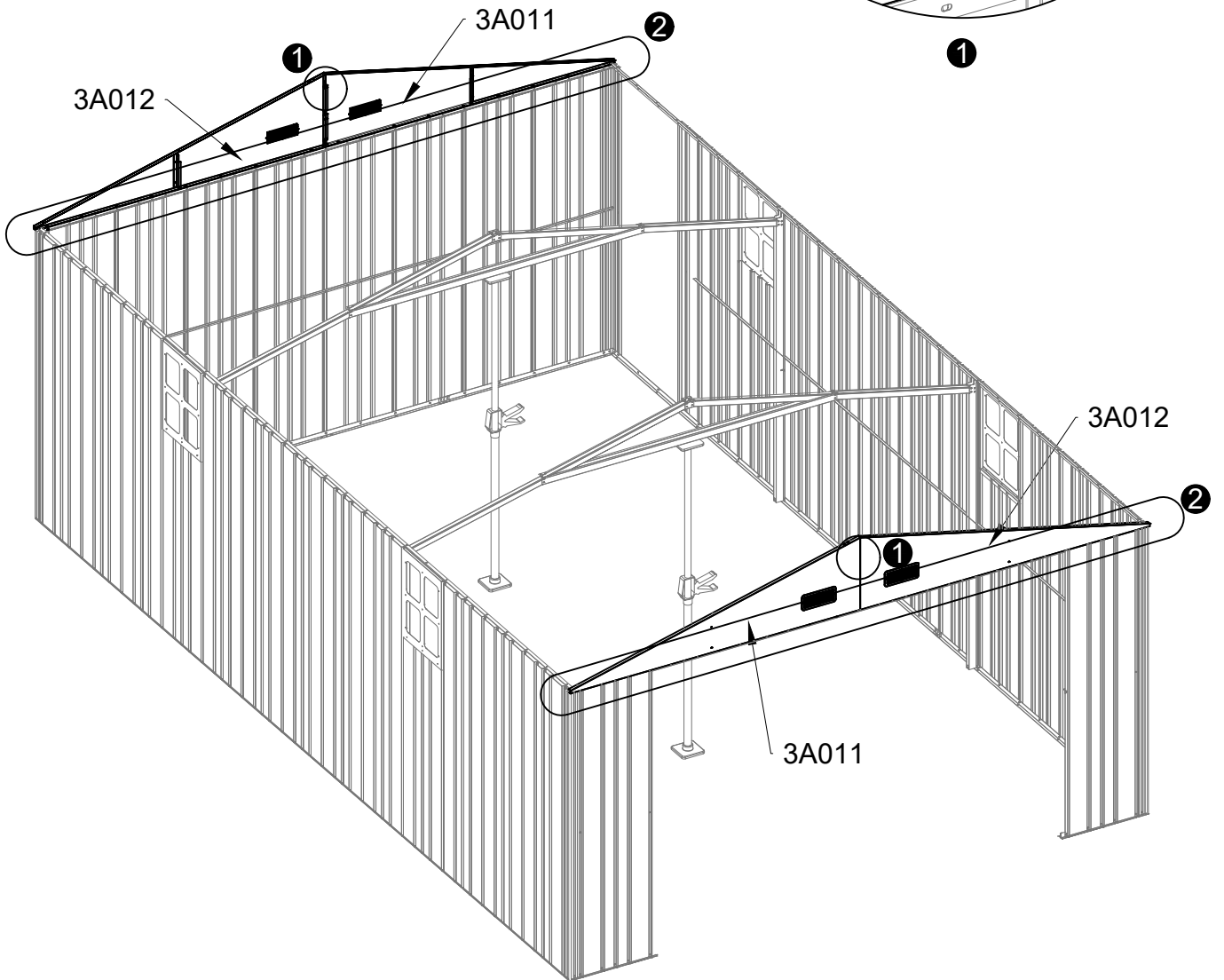
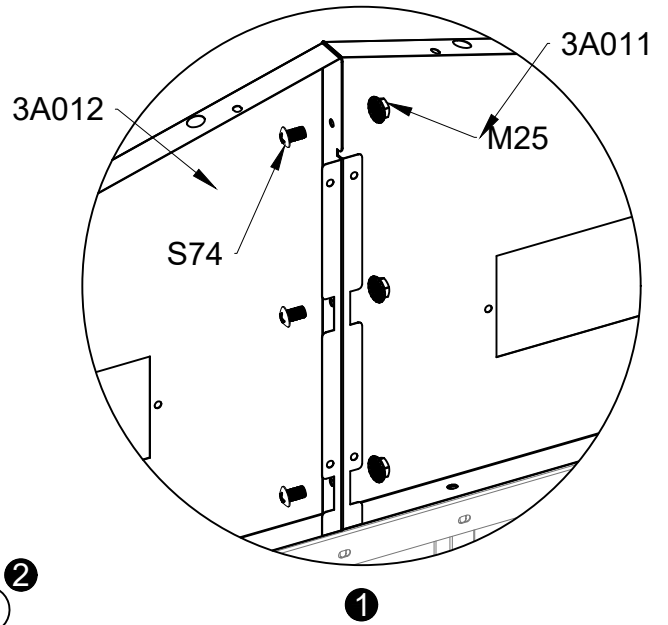
PART	NO	QTY
	D358	4
	D359	4
	Y1	4
	S74	60
	M4X8	
	M25	60
	M4	





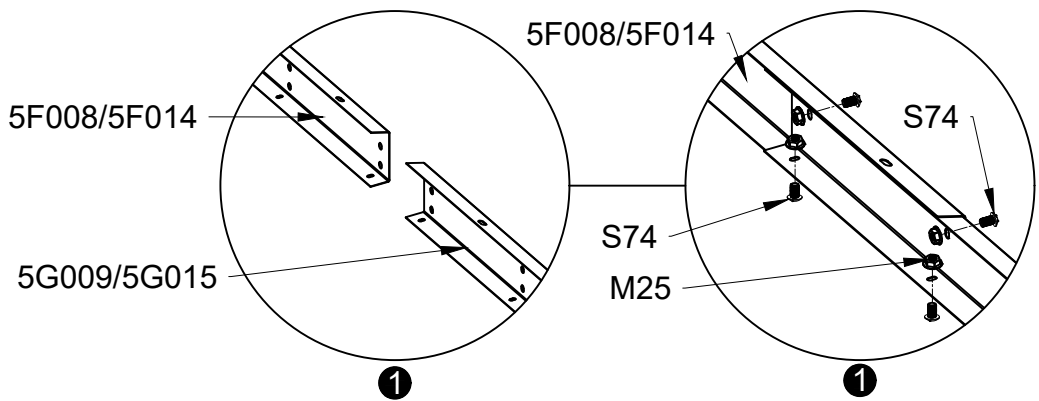
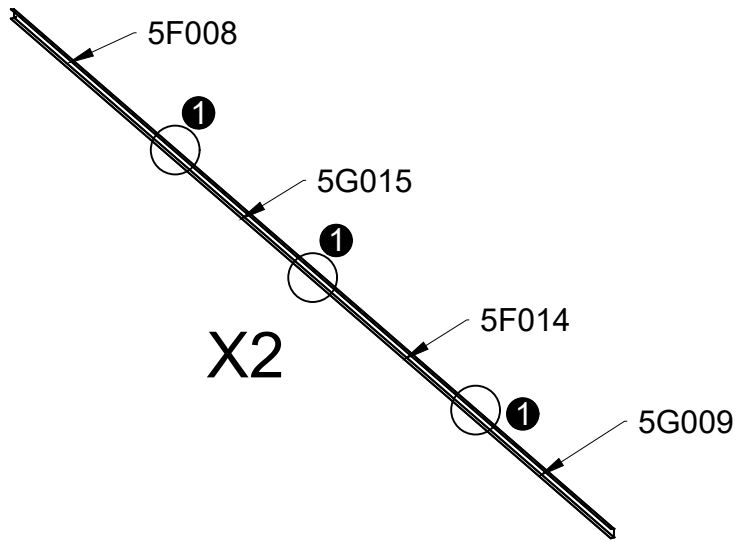
PART	NO	QTY
	3A011	2
	3A012	2
	D384L	2
	D384R	2
	J211	4
	S74	16
	M4X8	
	M25	
	M4	16



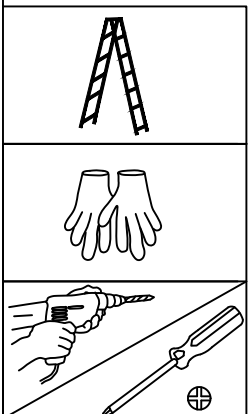
PART	NO	QTY
	S74	42
	M4X8	
	M25	42
	M4	





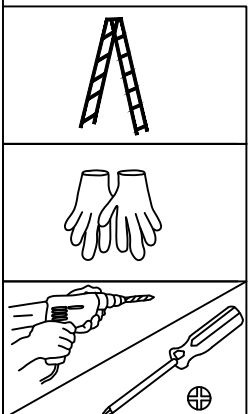
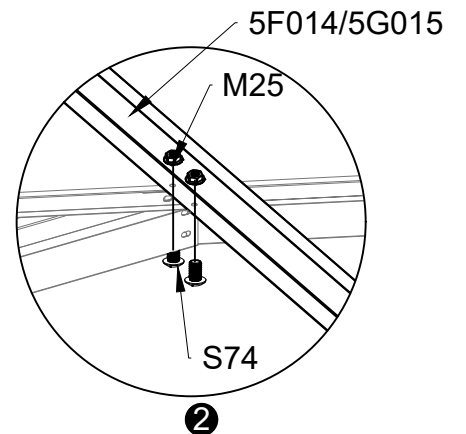
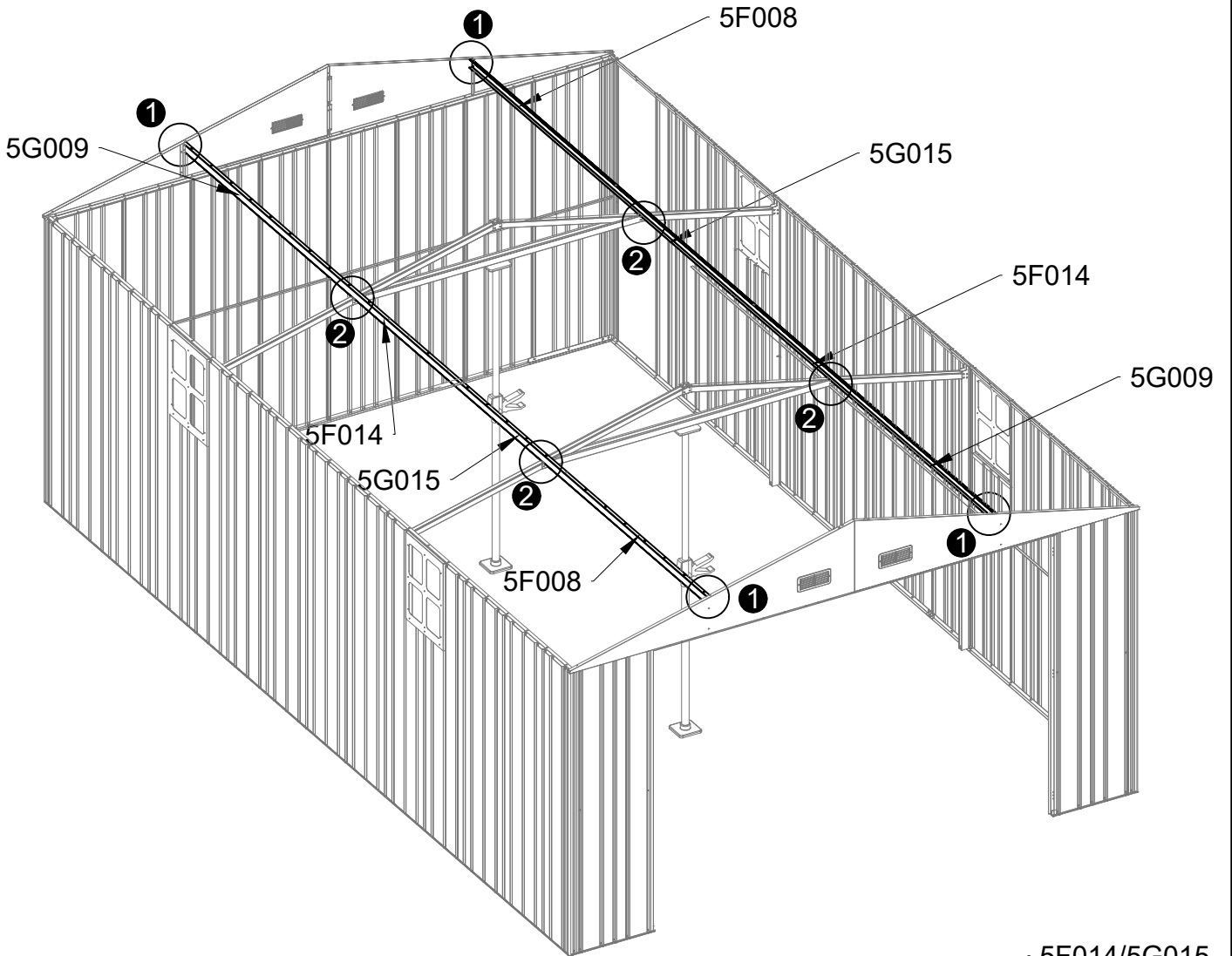
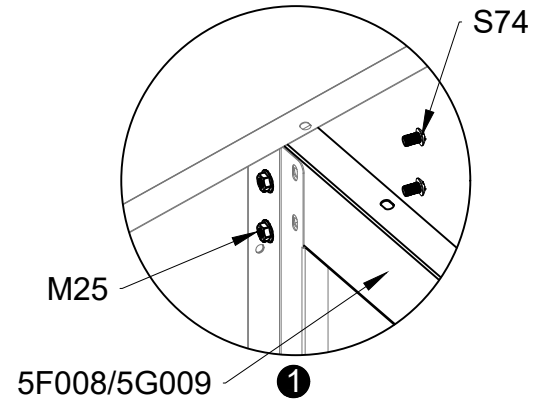
PART	NO	QTY
[	5F008	2
[	5F014	2
[	5G009	2
[	5G015	2
	S74	24
	M4X8	
	M25	24
	M4	






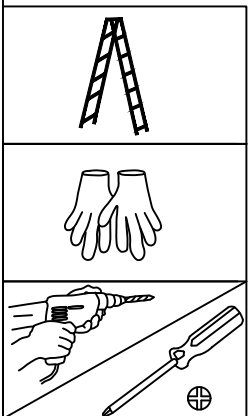
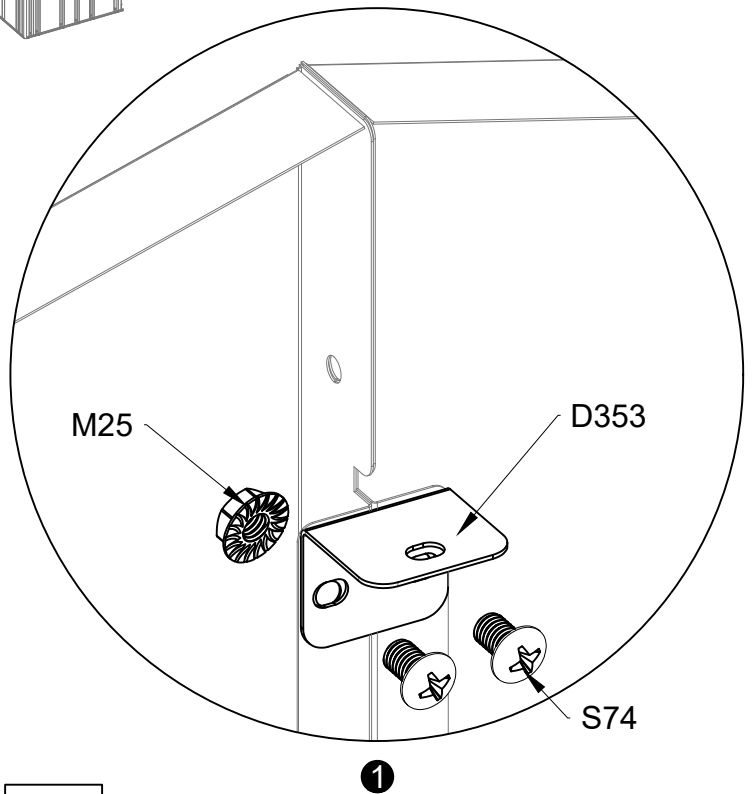
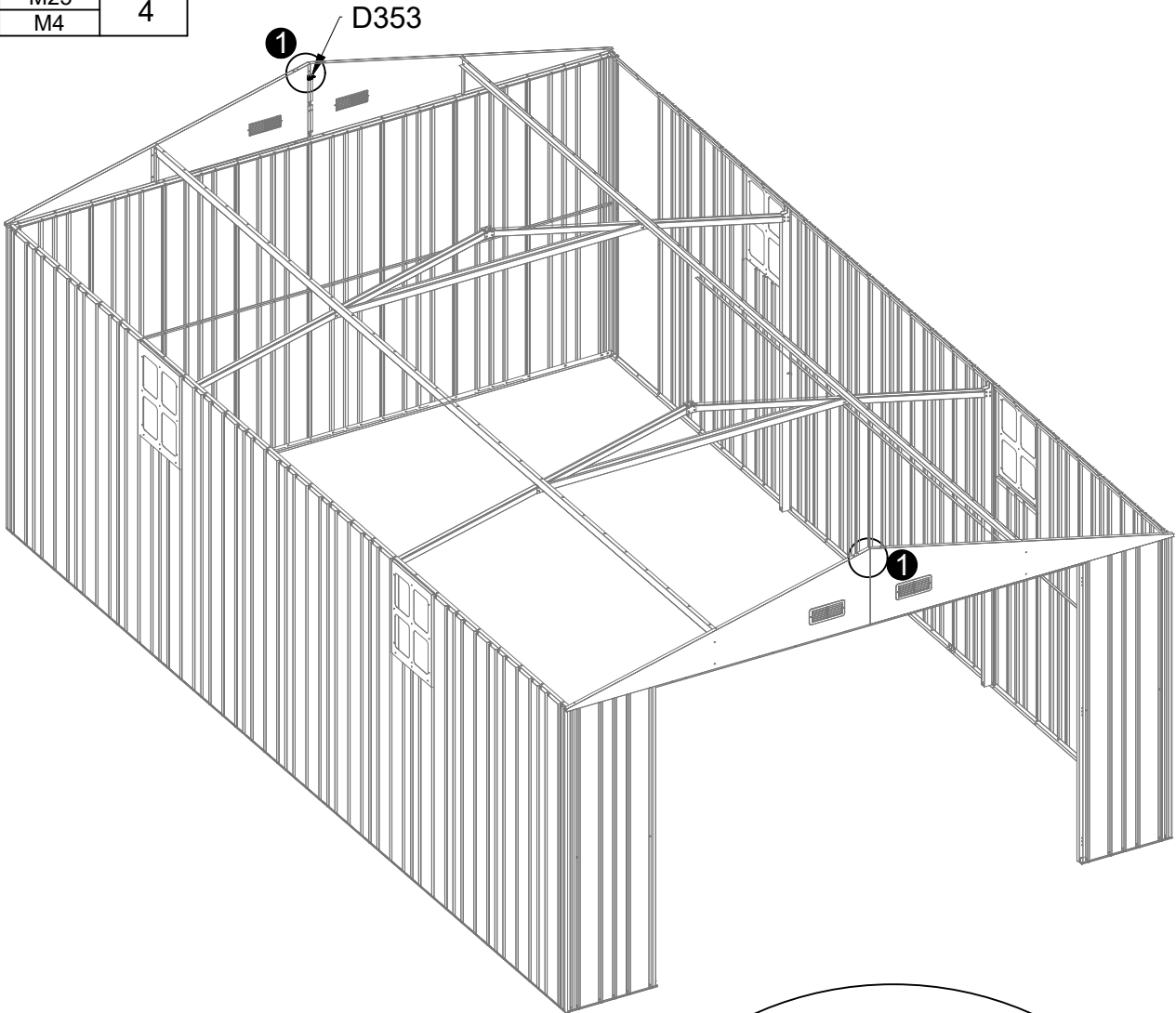
5F008 and 5F014 enclose 5G015








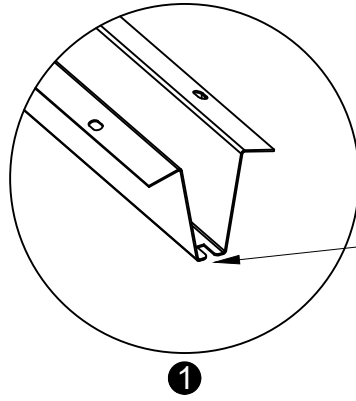
PART	NO	QTY
	S74	16
	M4X8	
	M25	16
	M4	



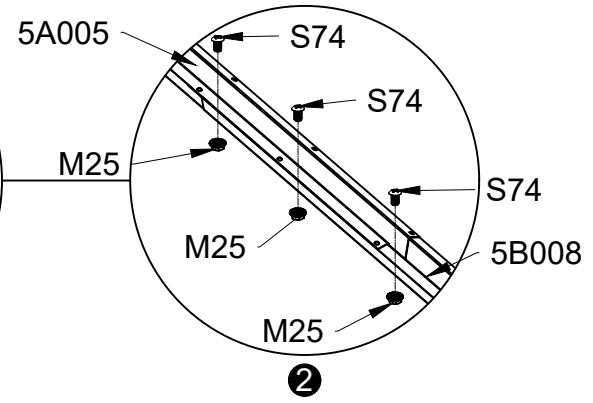
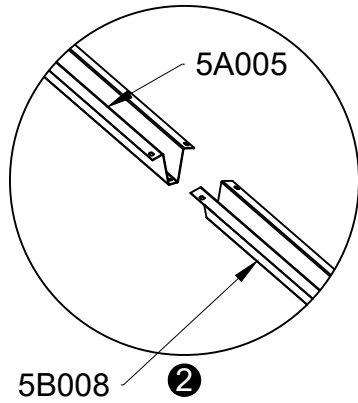
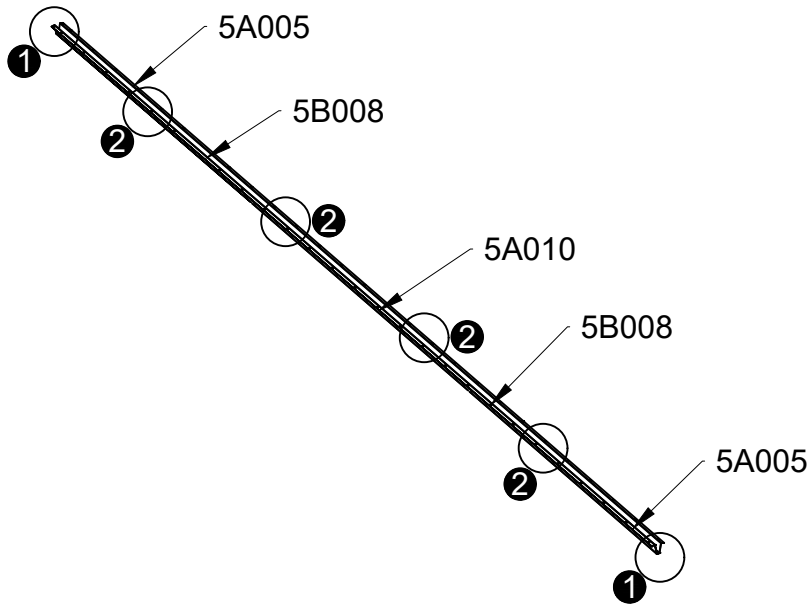
PART	NO	QTY
	D353	2
	S74	4
	M4X8	
	M25	4
	M4	



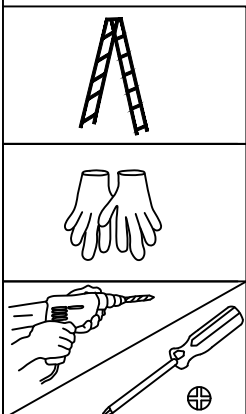
PART	NO	QTY
	5A005	2
	5B008	2
	5A010	1
	S74 M4X8	12
	M25 M4	12





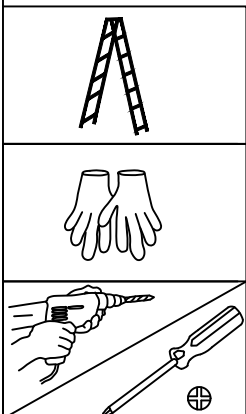
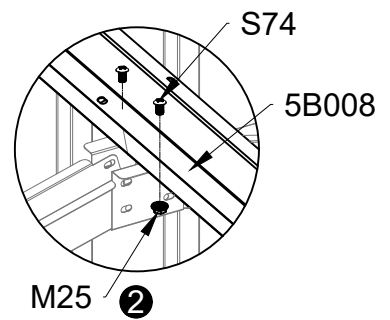
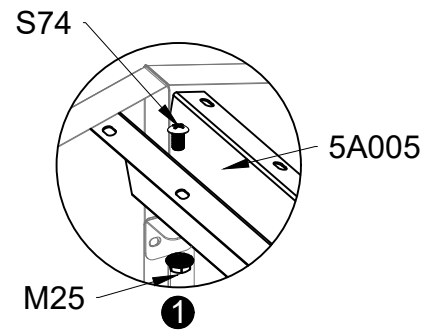
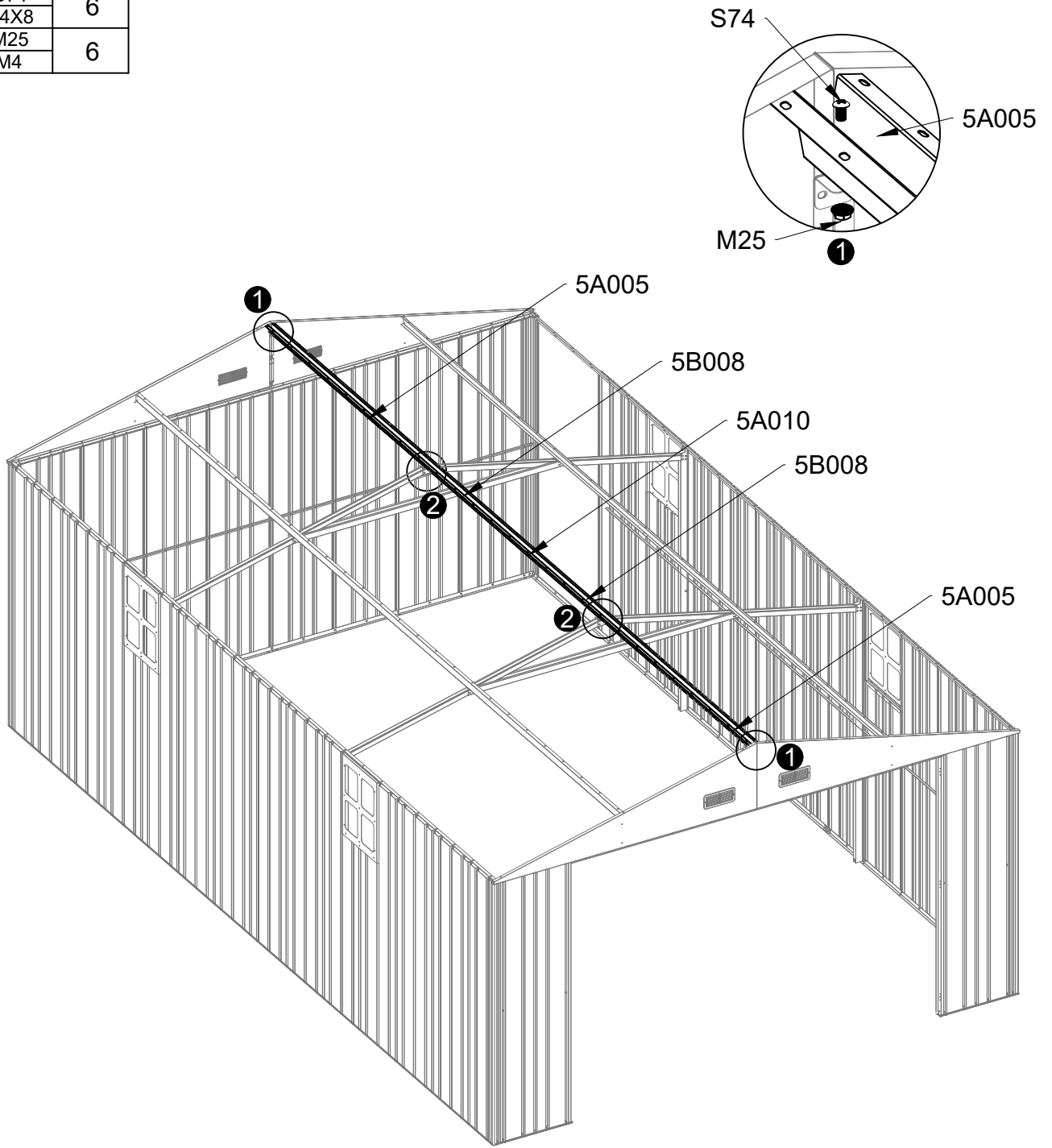
There are slots at both ends; there are no slots at the connection




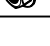



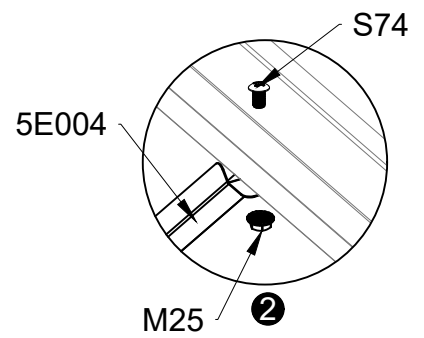
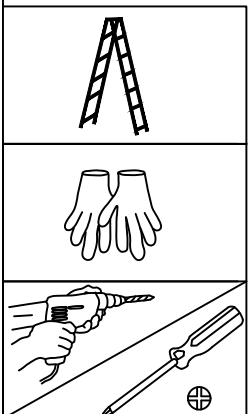
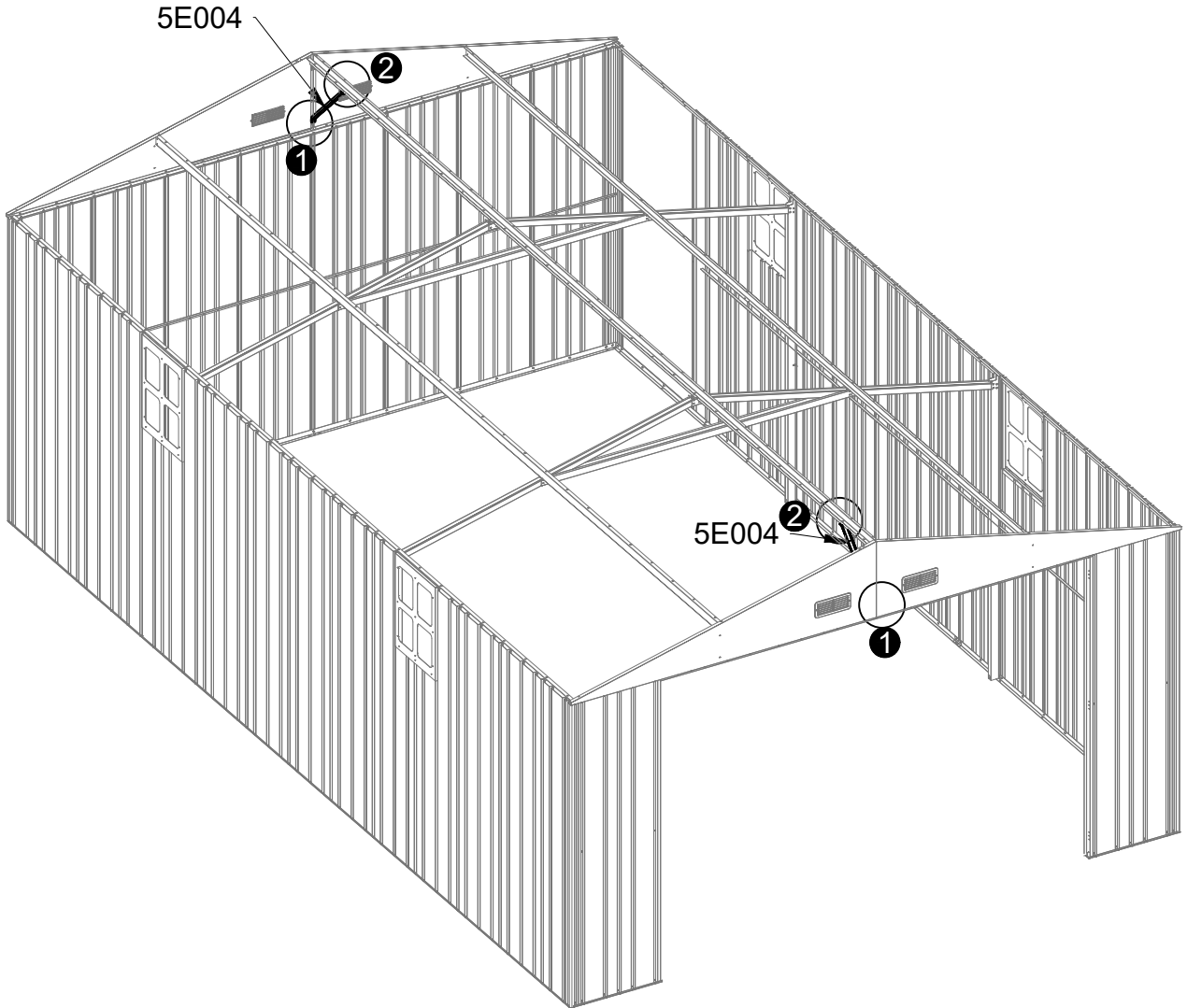
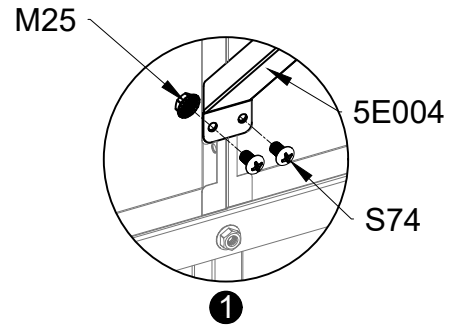
5B008 enclose 5A005 and 5A010



PART	NO	QTY
	S74	6
	M4X8	
	M25	6
	M4	

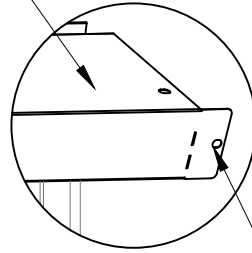


PART	NO	QTY
	5E004	2
	S74	6
	M4X8	
	M25	6
	M4	



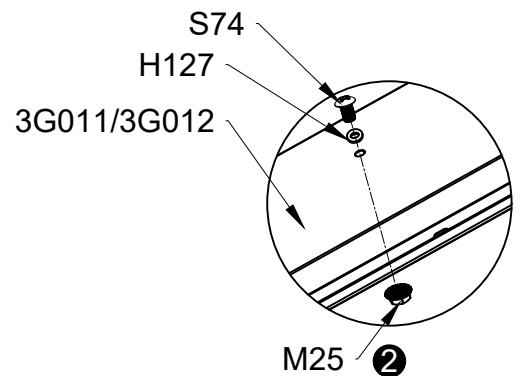
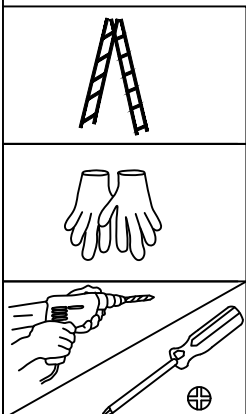
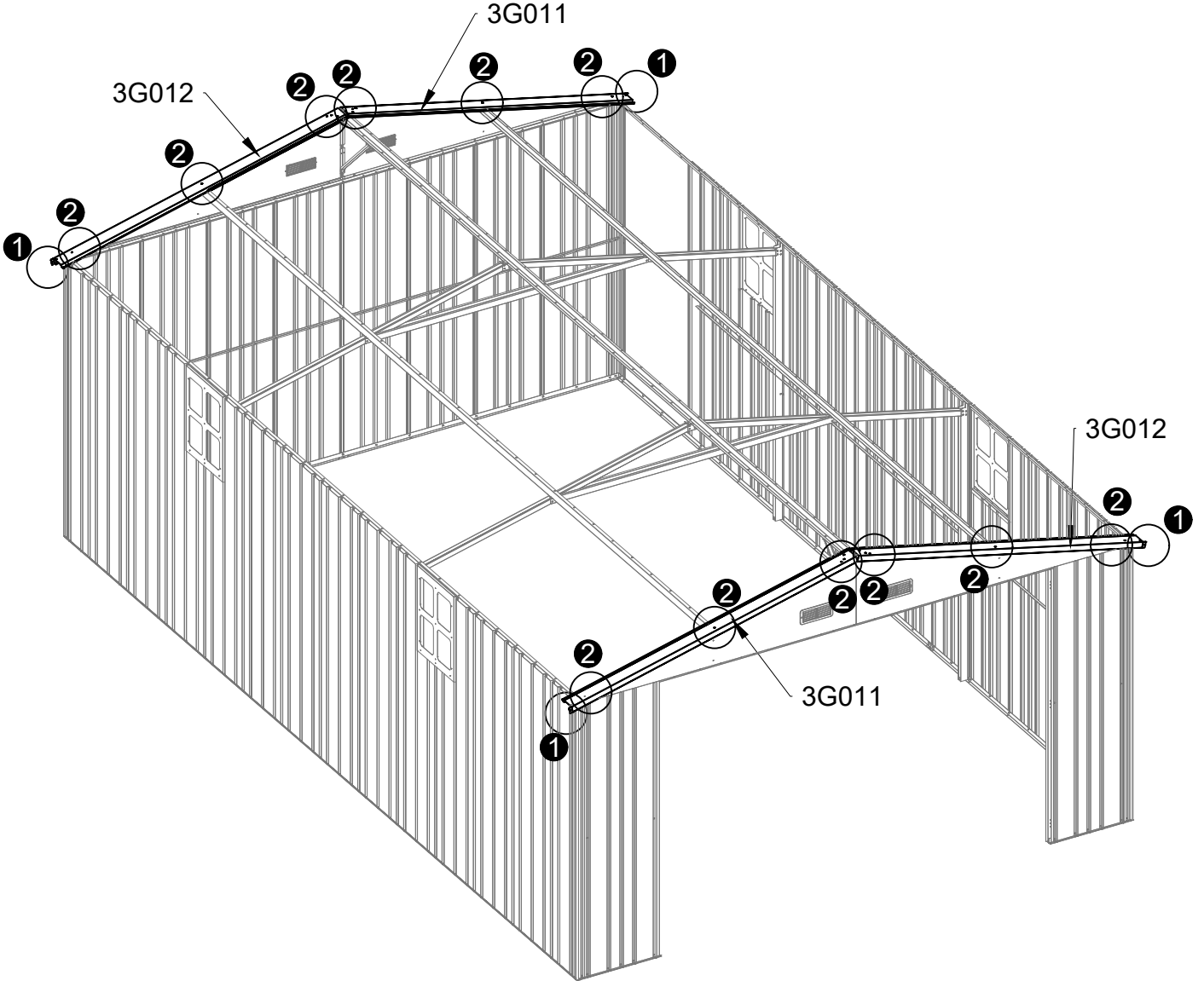
PART	NO	QTY
	3G011	2
	3G012	2
	S74 M4X8	12
	M25 M4	12
	H127	12

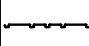



3G011/3G012

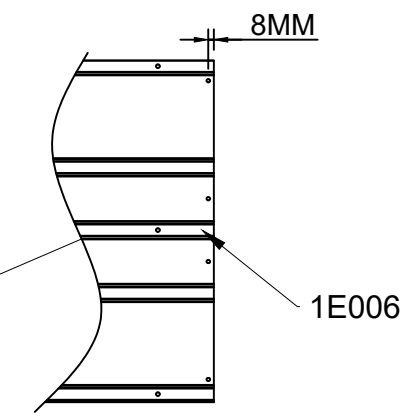
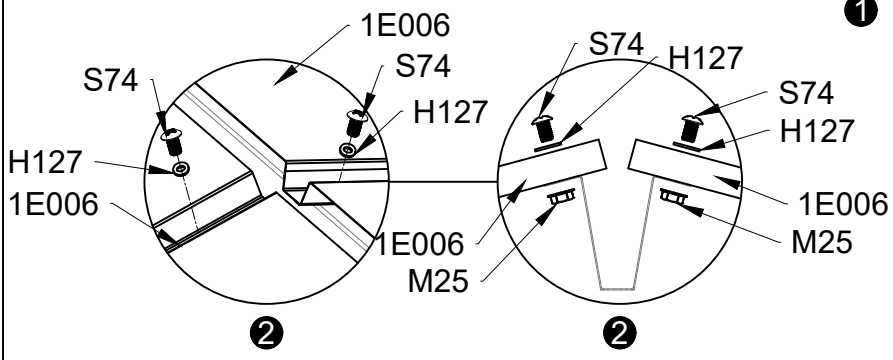
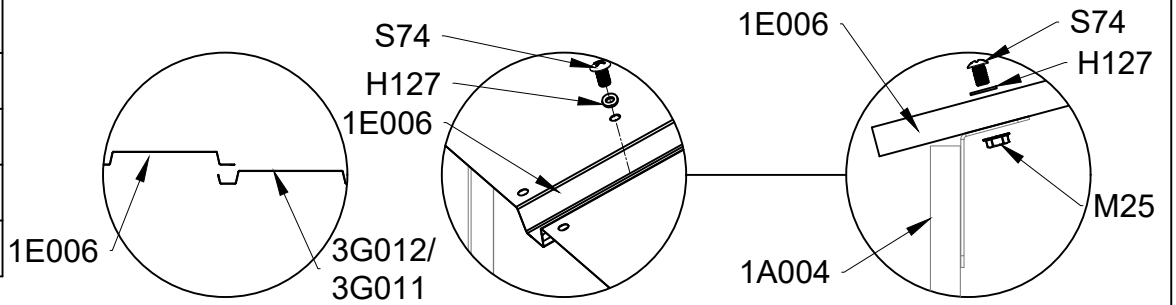


This protrusion should face outward

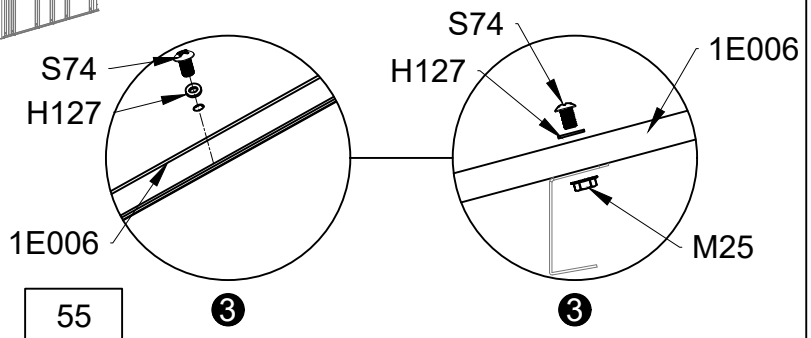
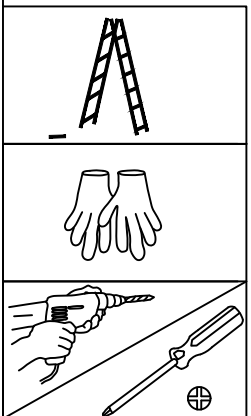
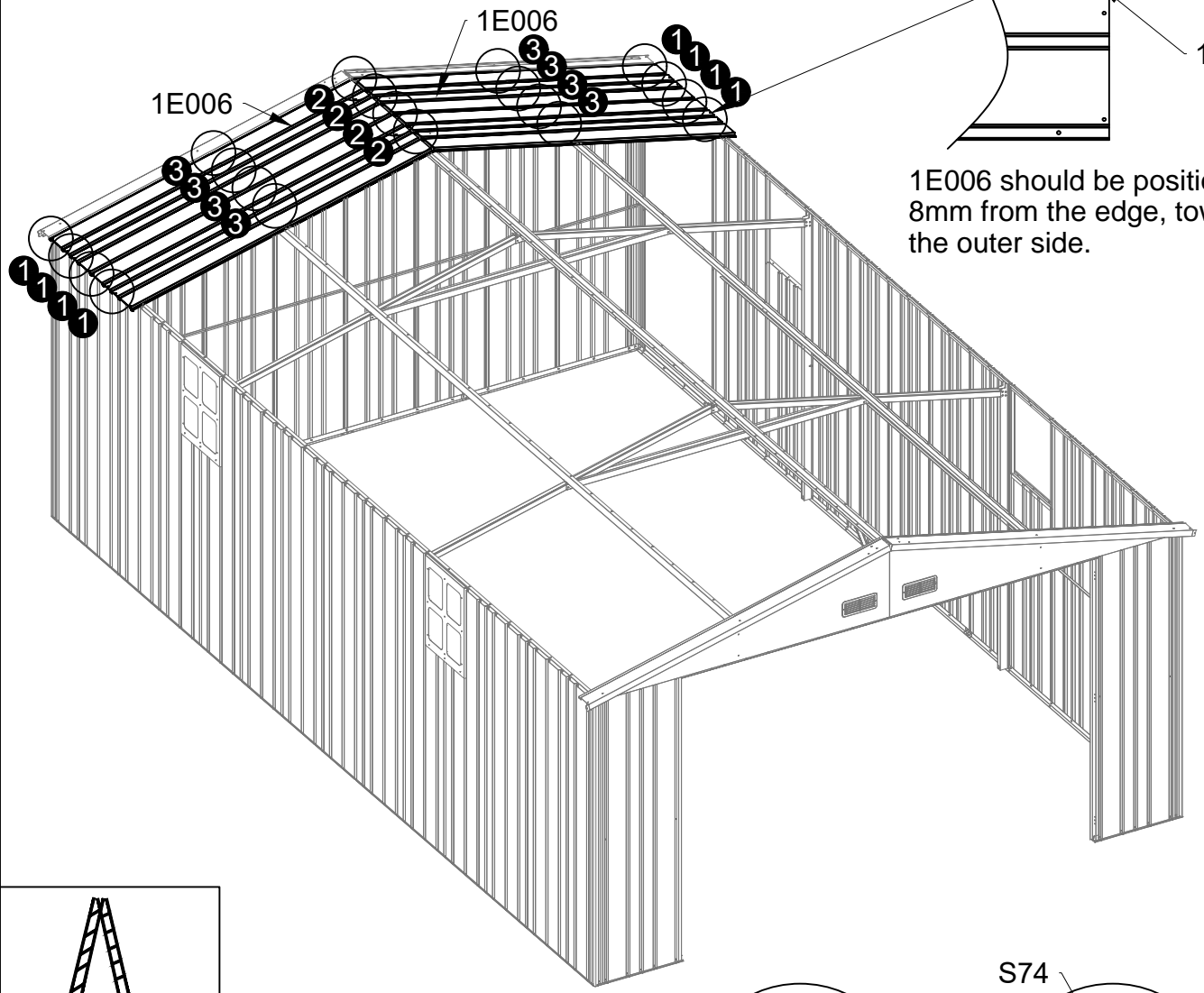
1

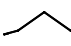






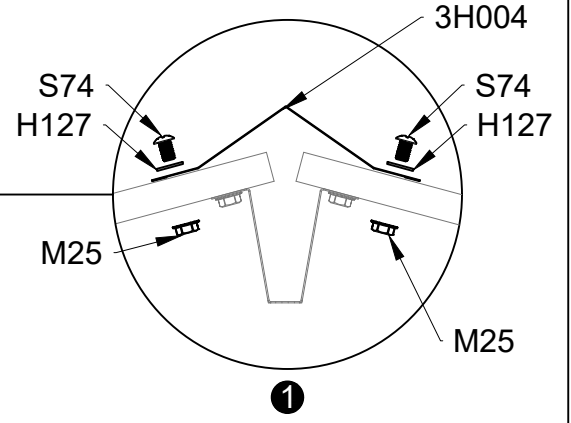
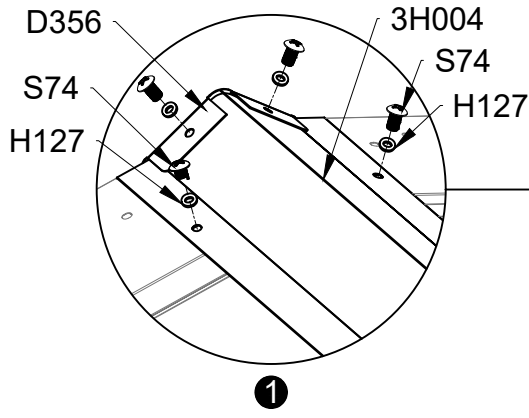
PART	NO	QTY
	1E006	4
	S74	24
	M4X8	
	M25	24
	M4	
	H127	24



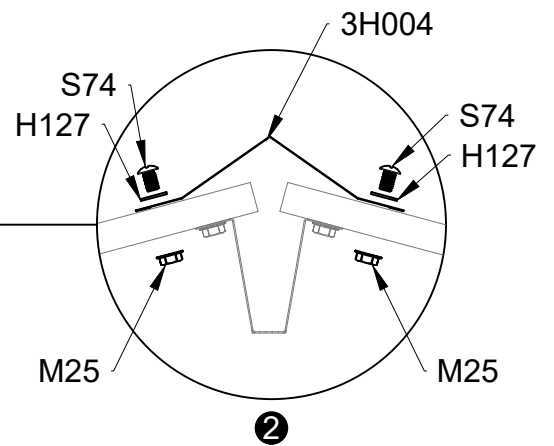
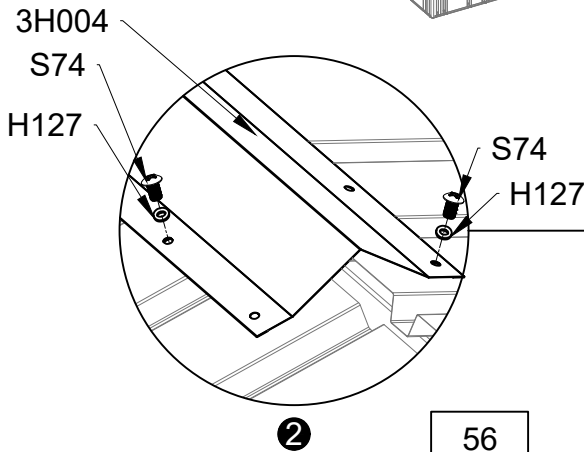
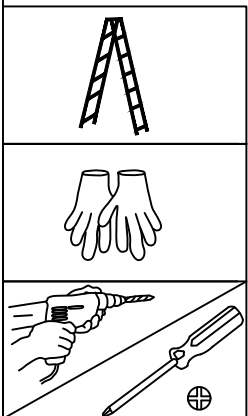
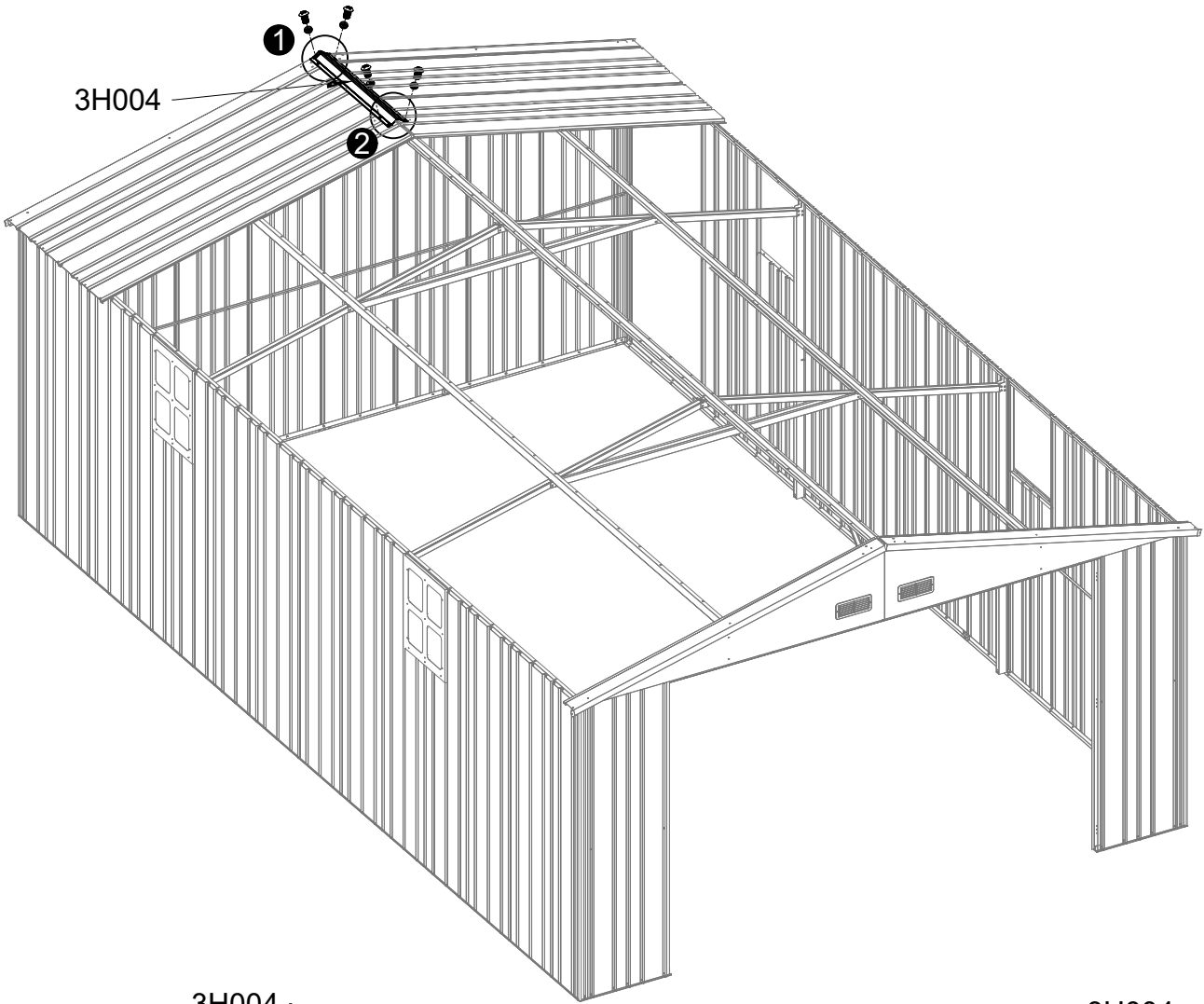
1E006 should be positioned 8mm from the edge, towards the outer side.

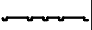







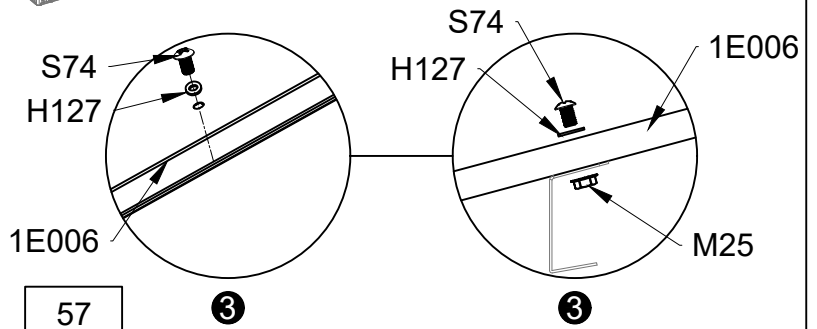
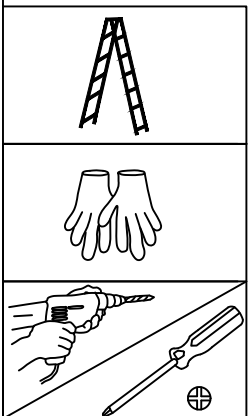
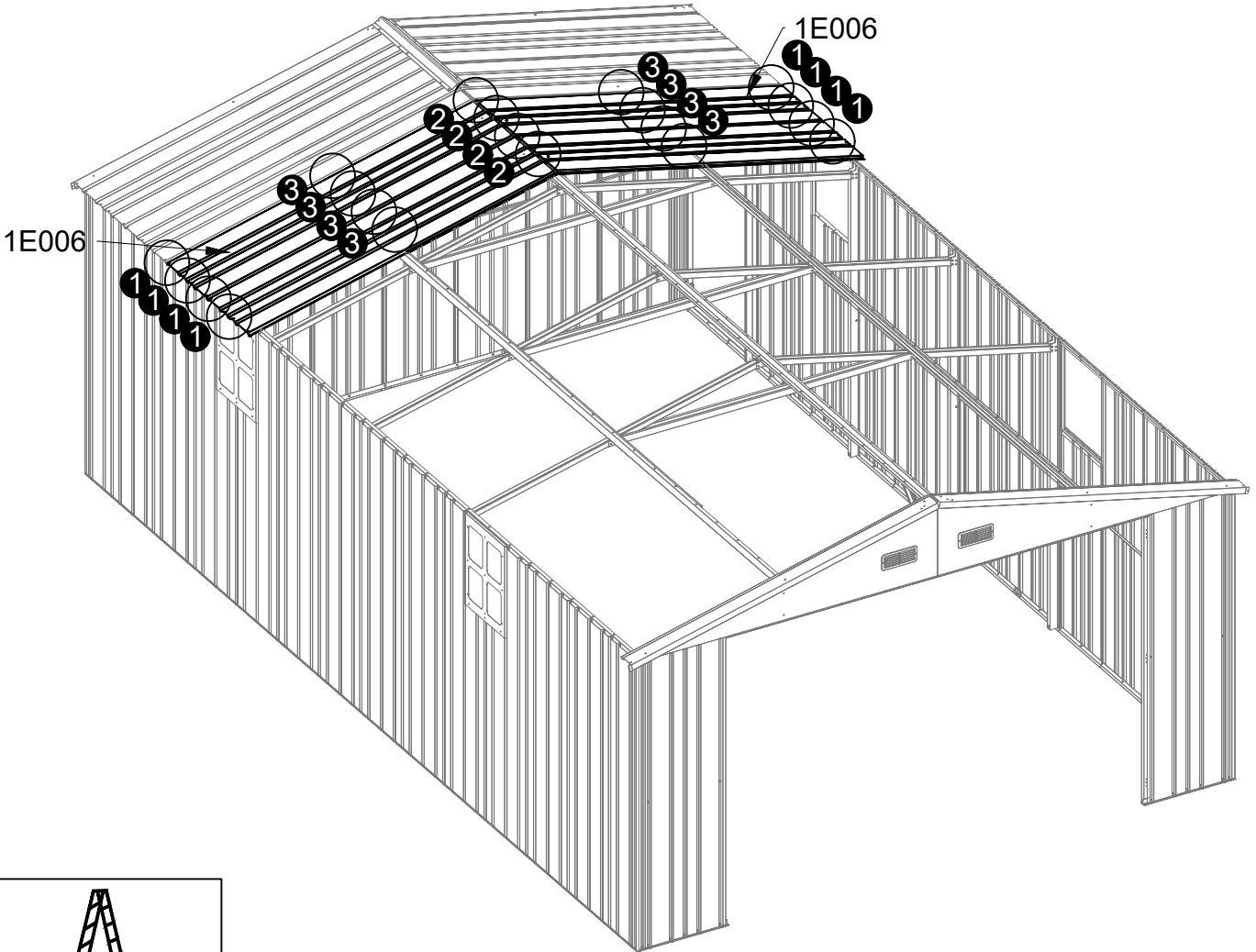
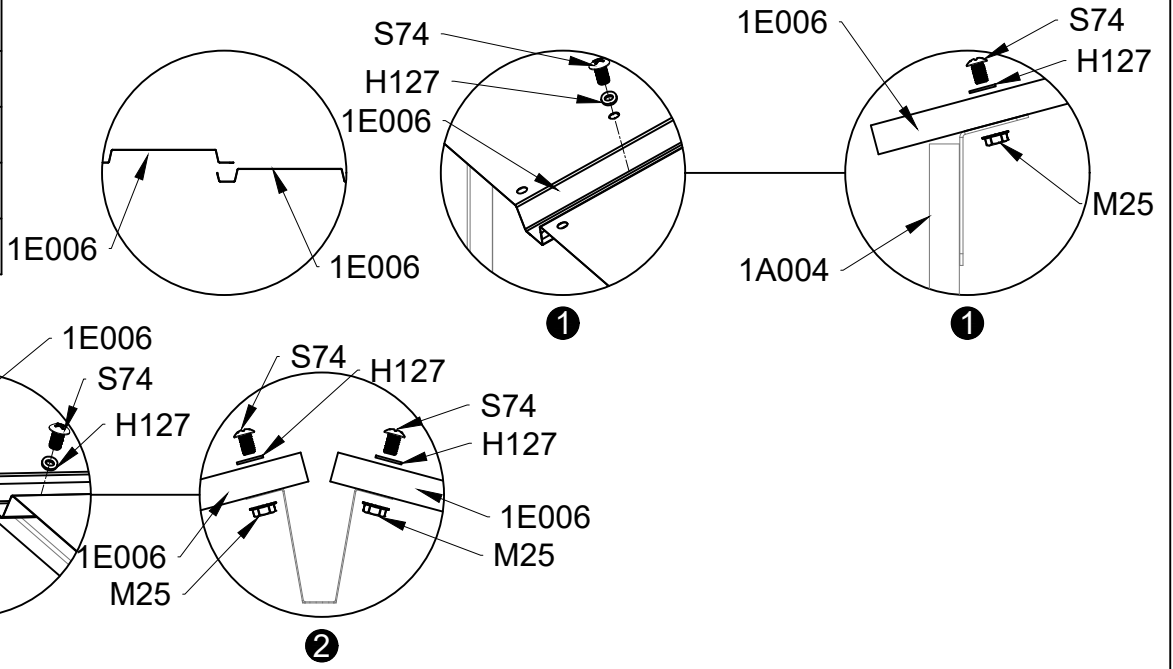
PART	NO	QTY
	3H004	1
	D356	1
	S74 M4X8	6
	M25 M4	6
	H127	6

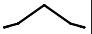





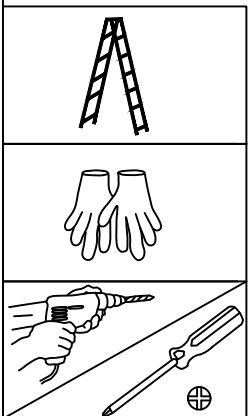
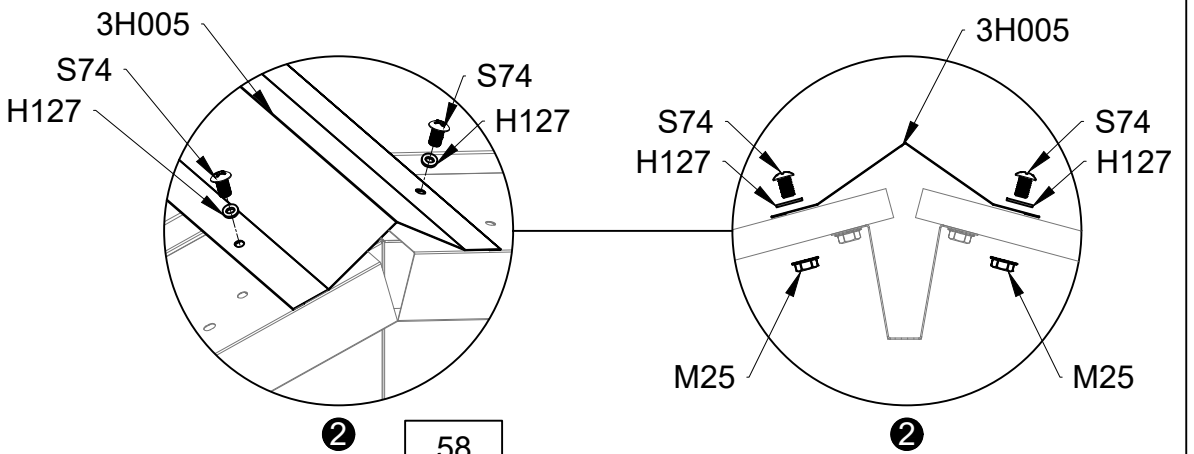
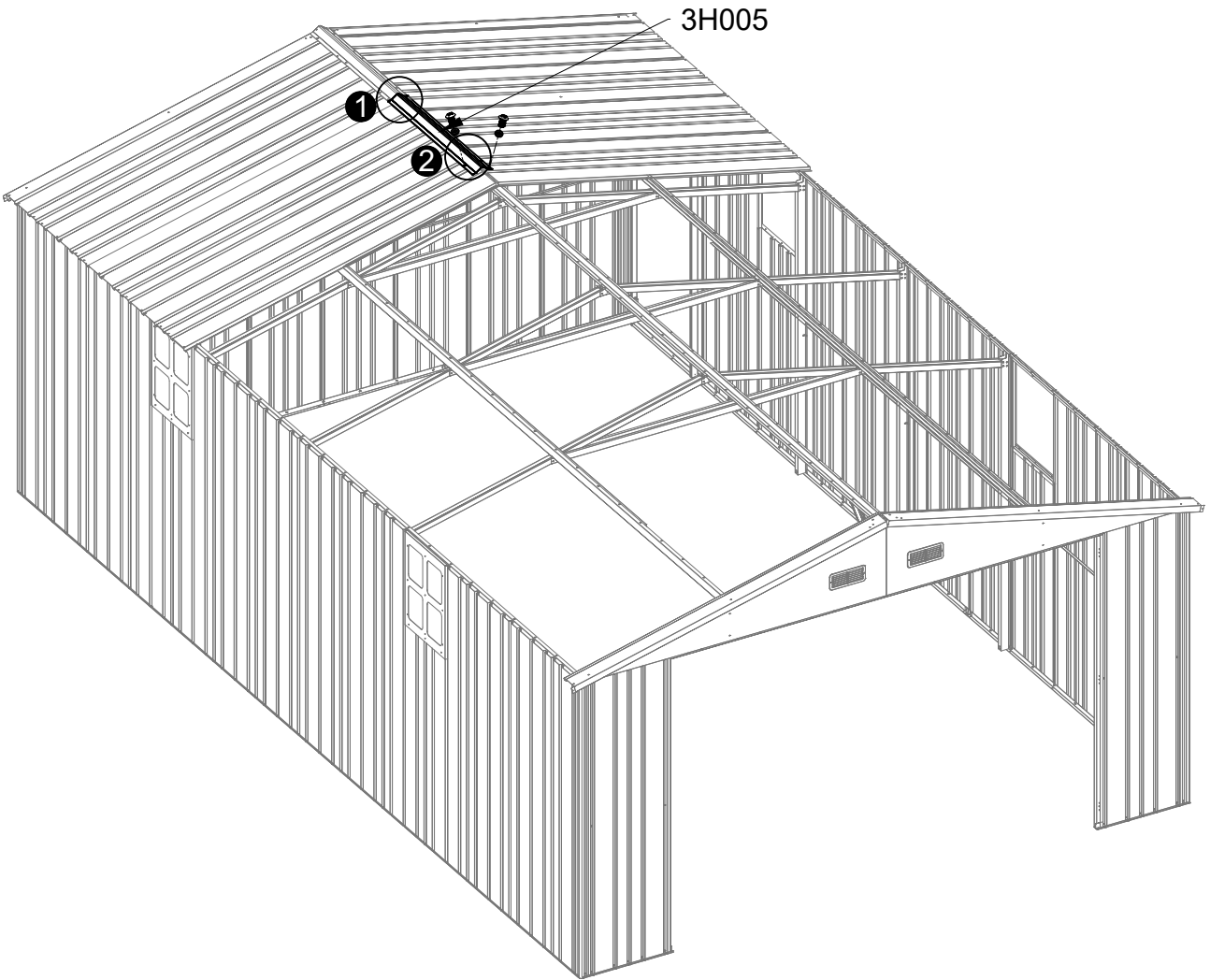
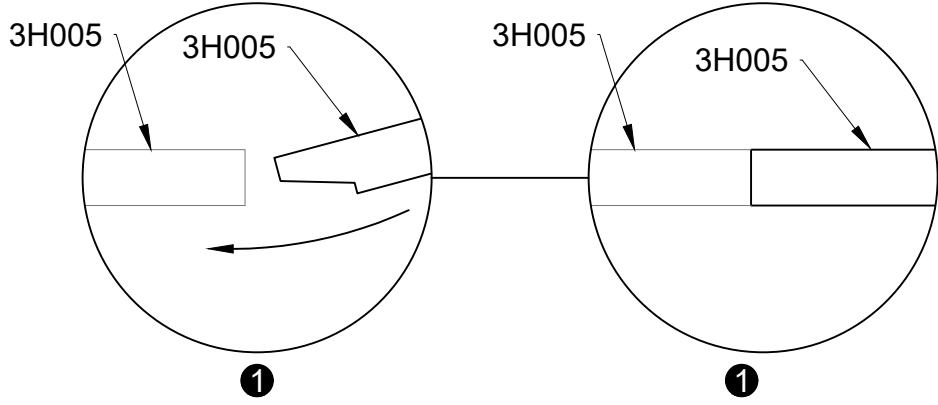
First install D356 on 3H004, then install 3H004

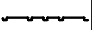







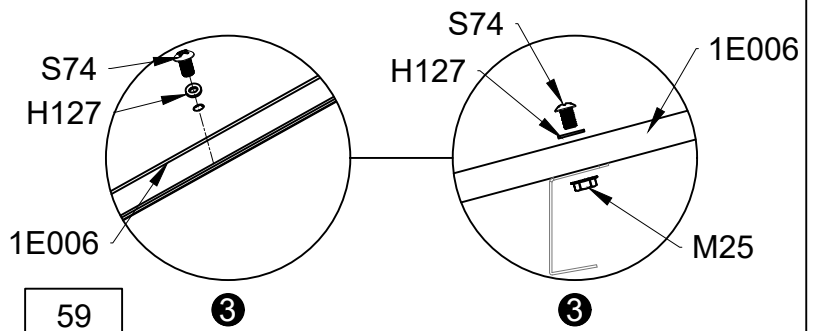
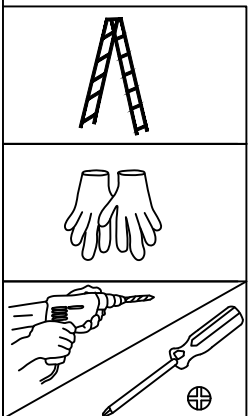
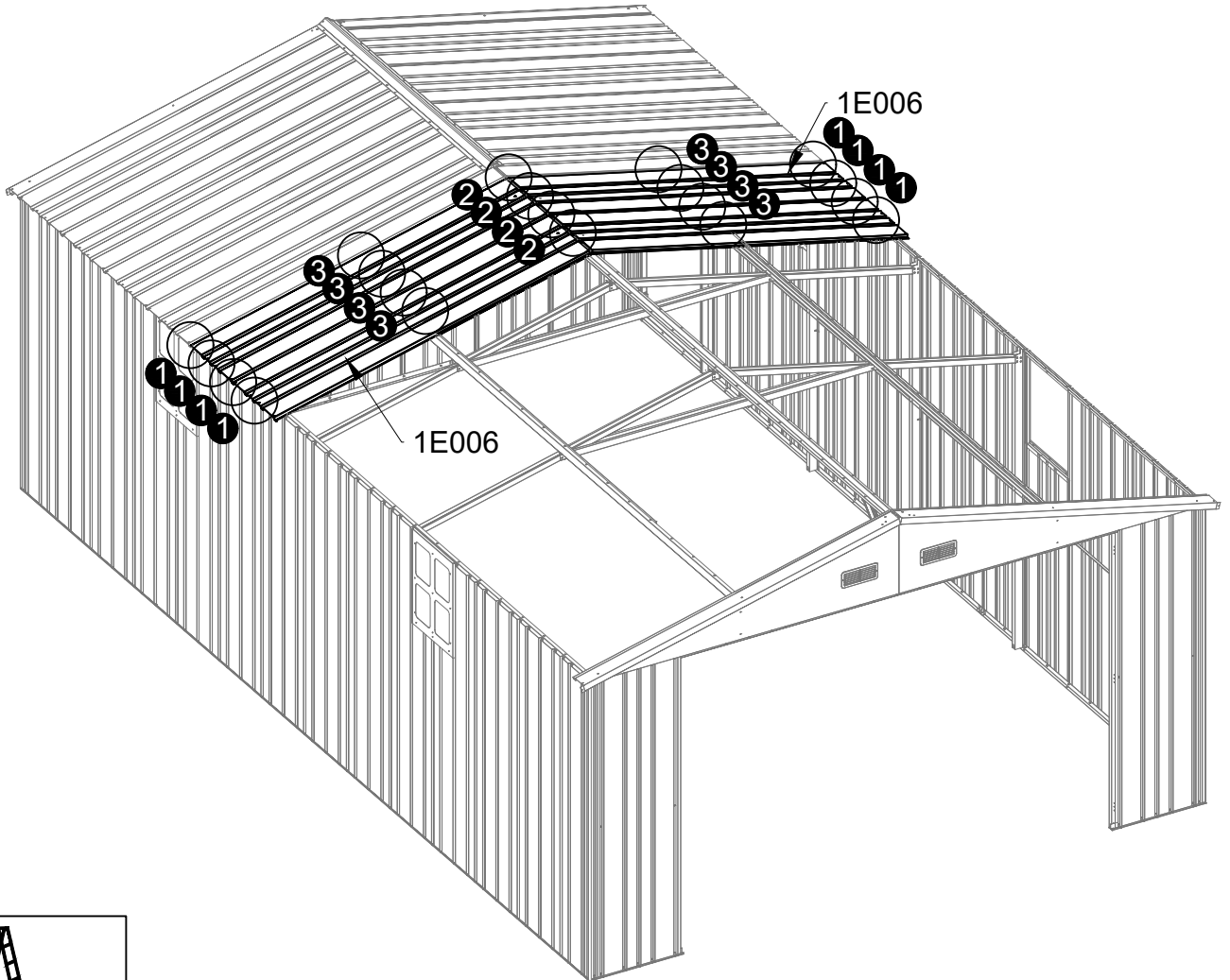
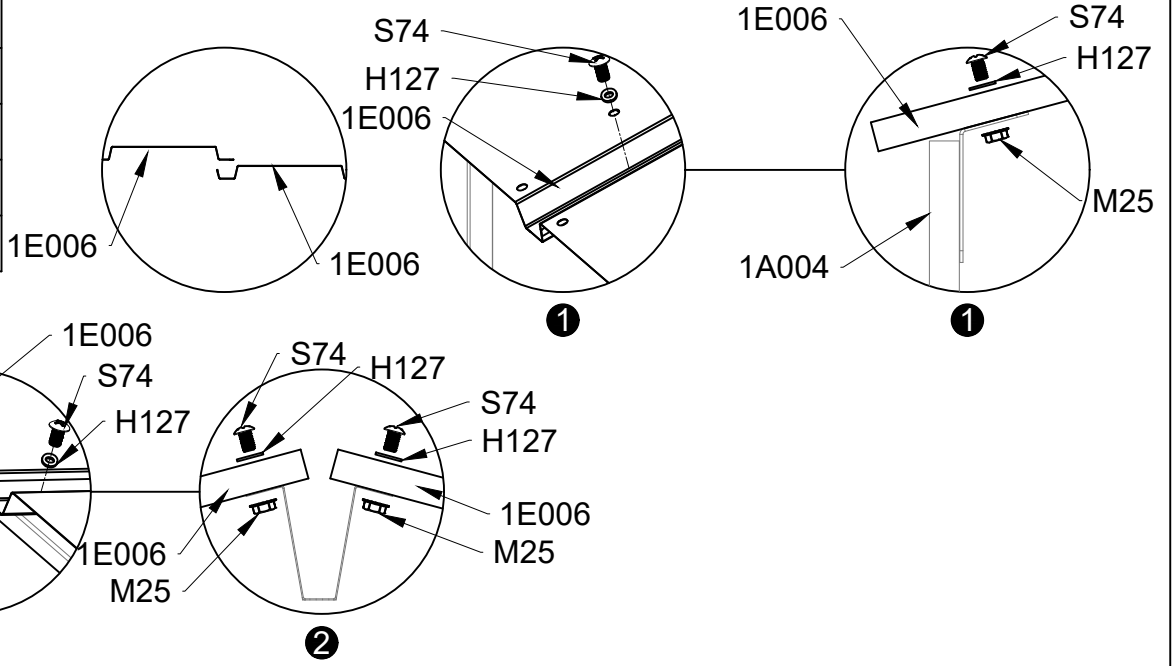
PART	NO	QTY
	1E006	4
	S74	24
	M4X8	
	M25	24
	M4	
	H127	24

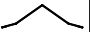





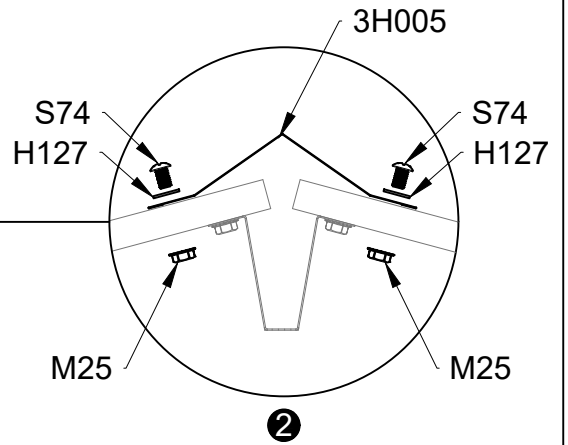
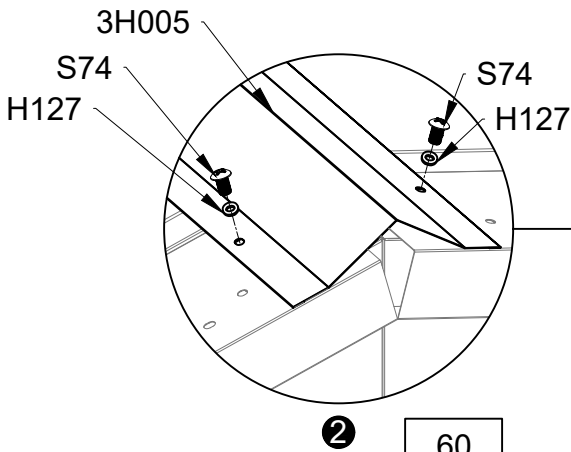
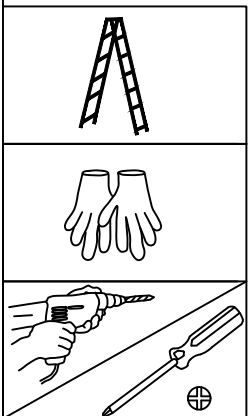
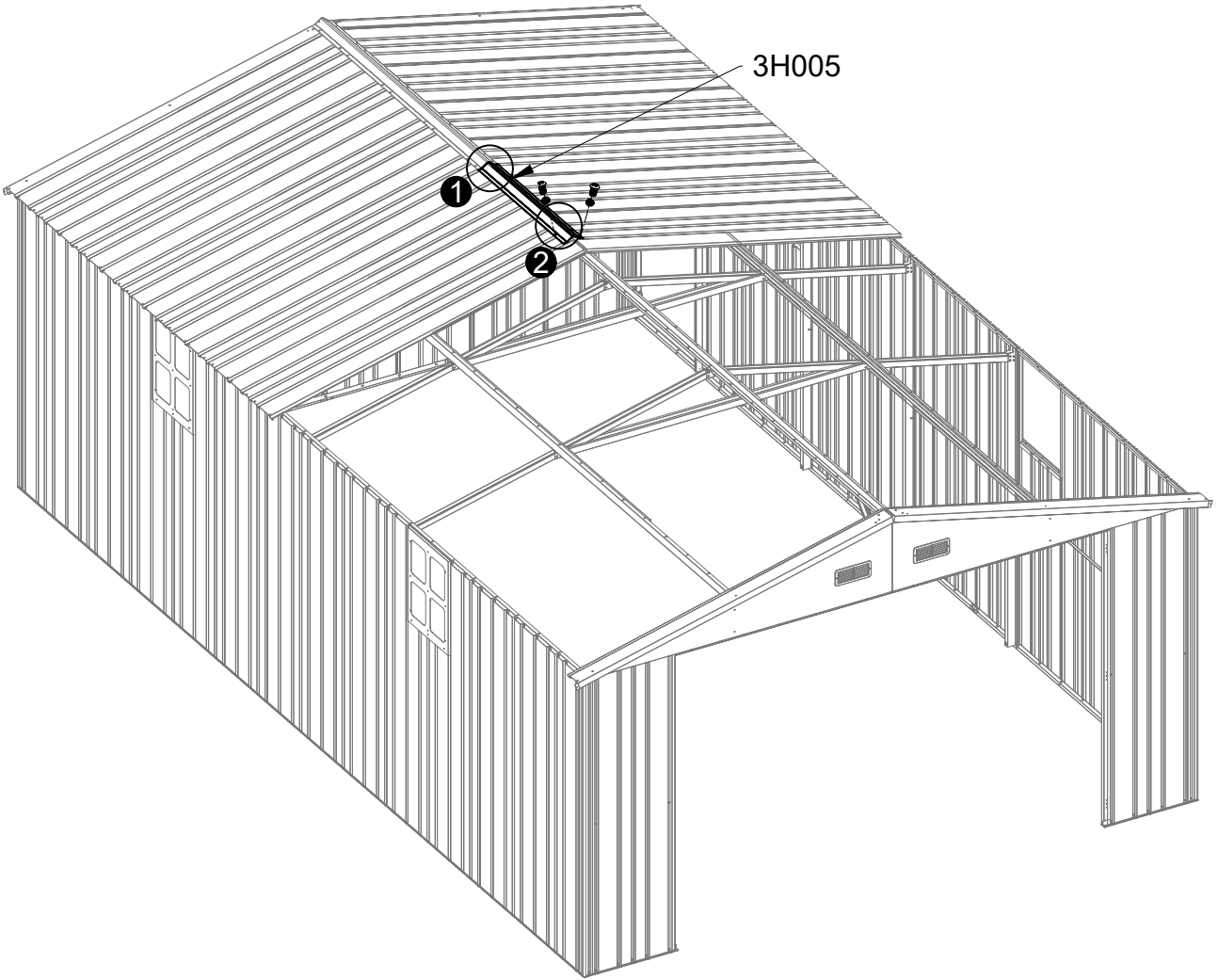
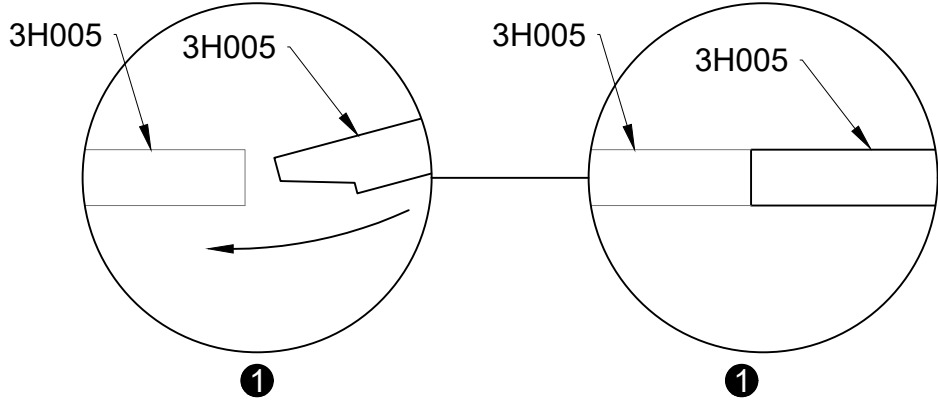
PART	NO	QTY
	3H005	1
	S74	2
	M4X8	
	M25	2
	M4	
	H127	2

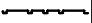





PART	NO	QTY
	1E006	4
	S74	24
	M4X8	
	M25	24
	M4	
	H127	24

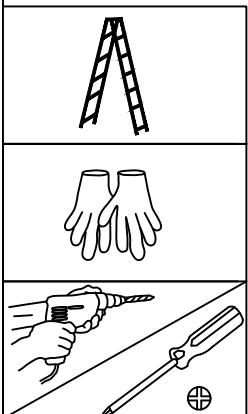
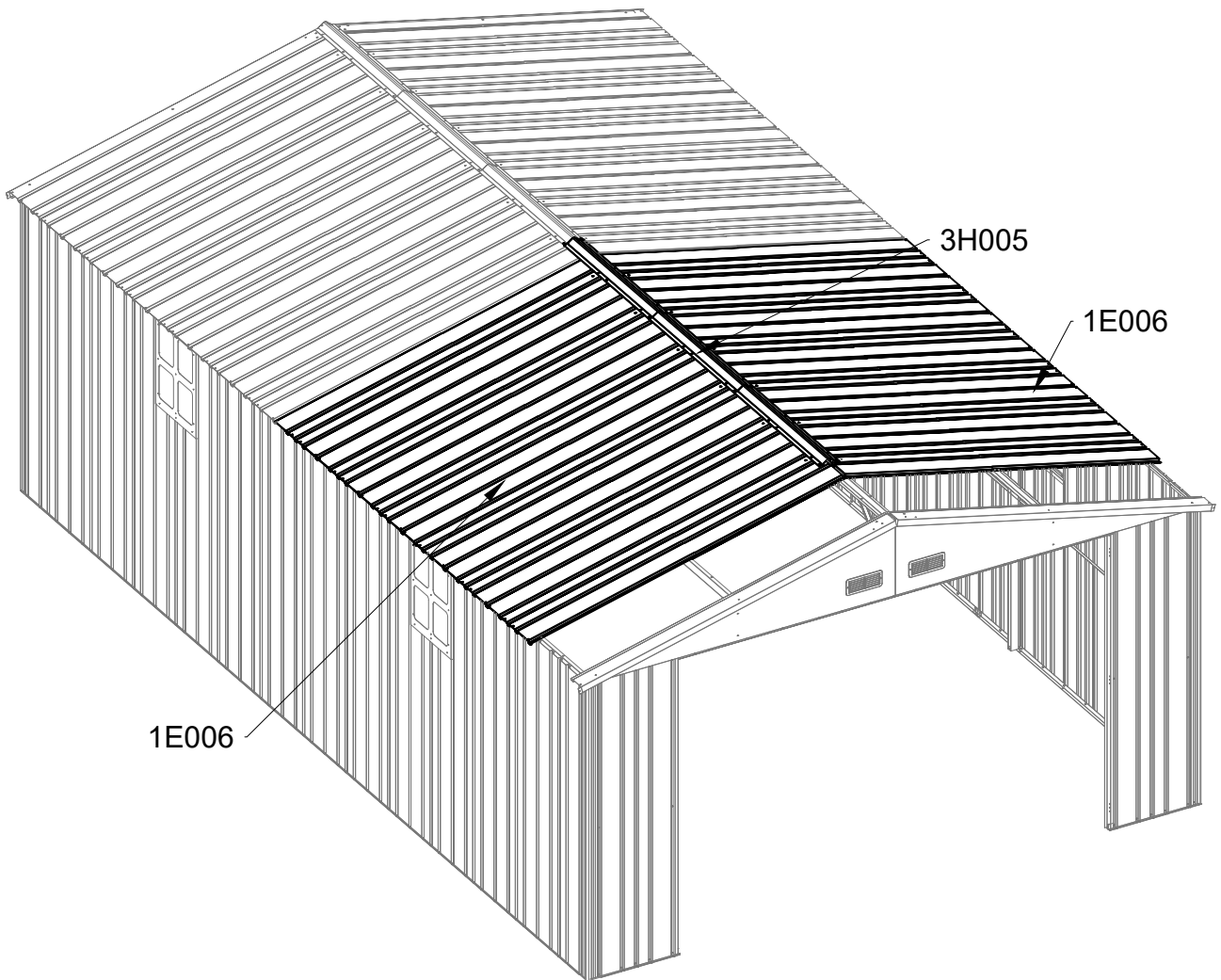


PART	NO	QTY
	3H005	1
	S74 M4X8	2
	M25 M4	2
	H127	2

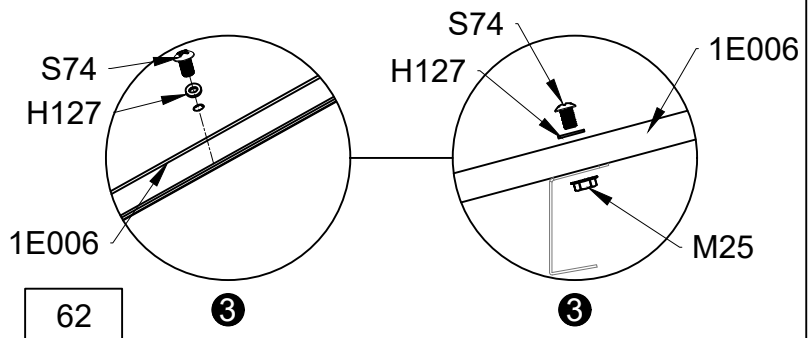
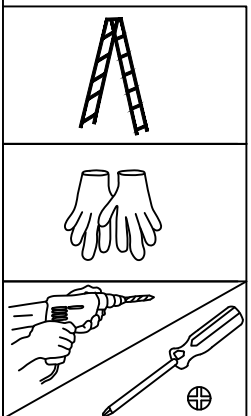
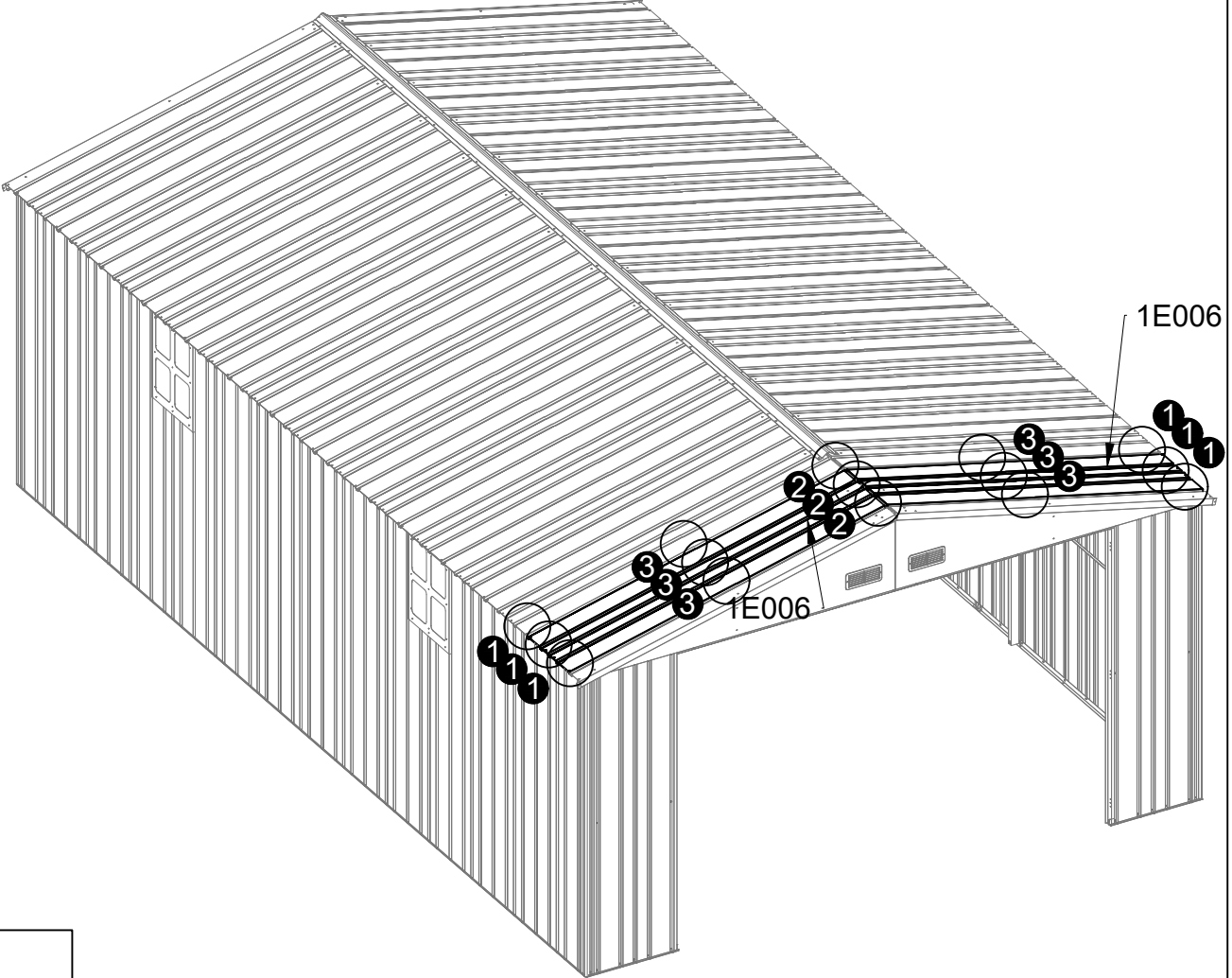
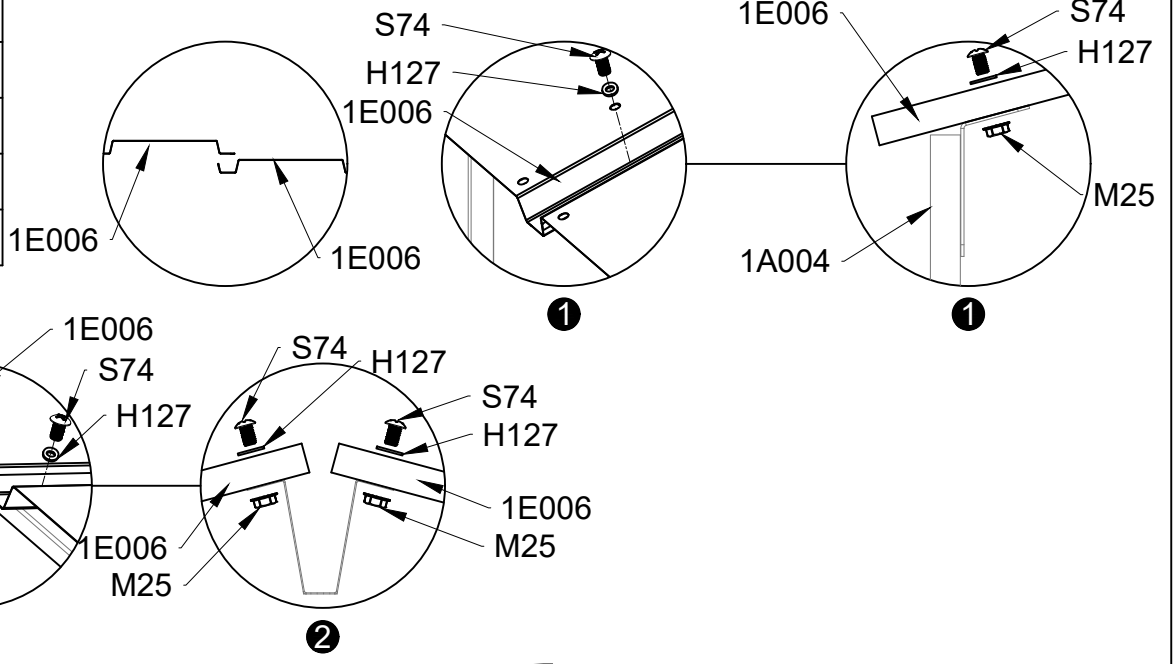


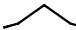




PART	NO	QTY
	1E006	12
	3H005	3
	S74 M4X8	78
	M25 M4	
	H127	78

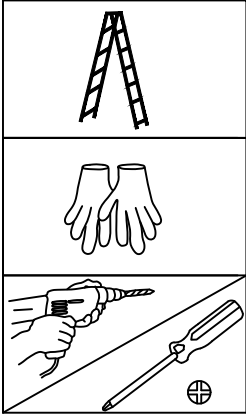
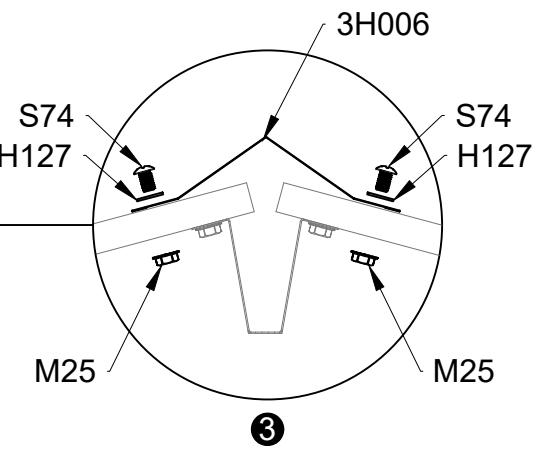
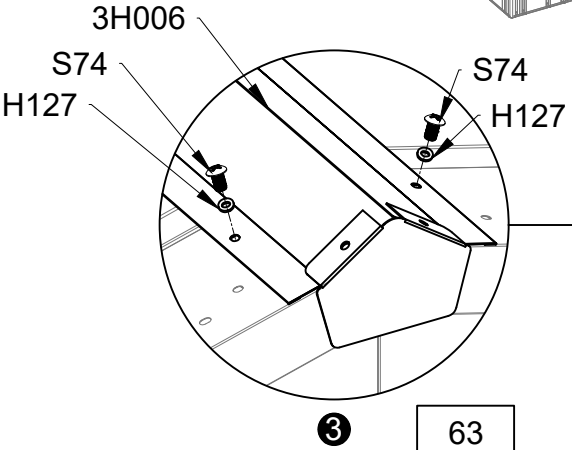
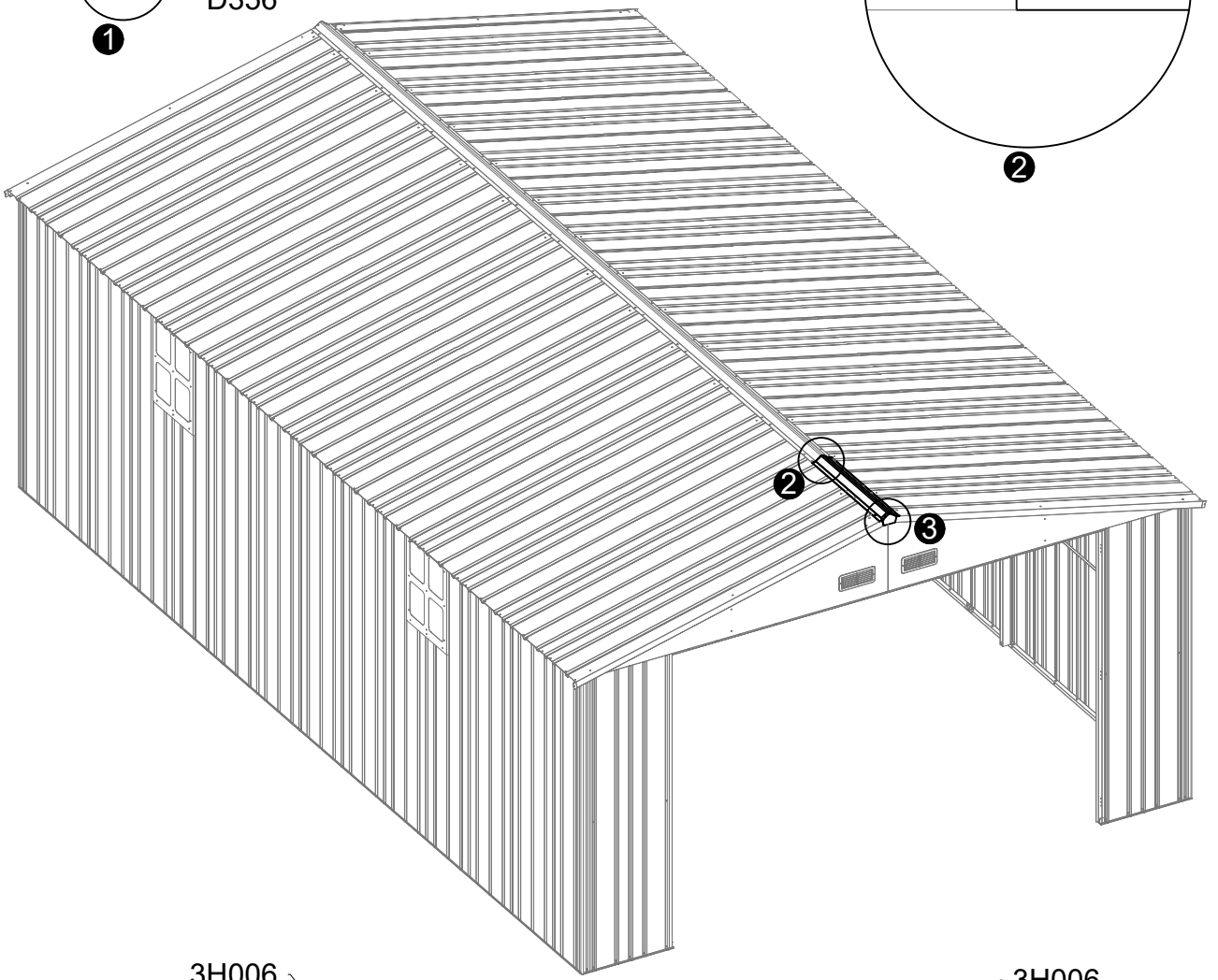
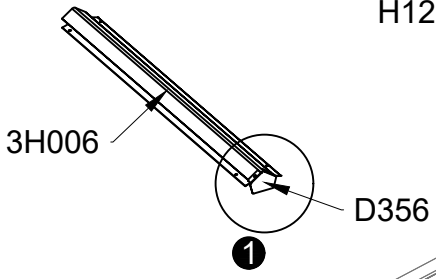
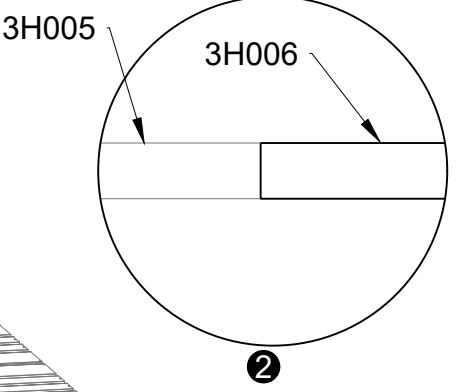
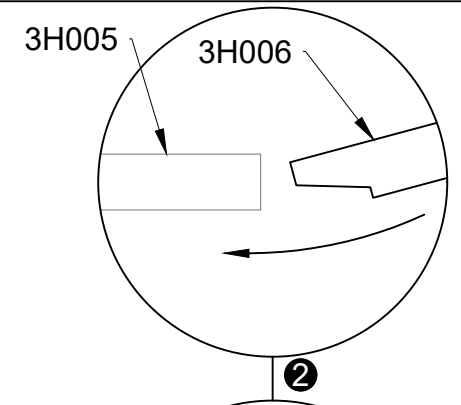
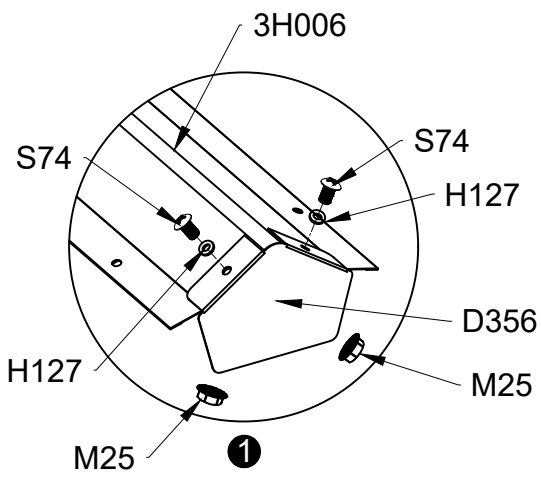
Refer to the previous two pages for installing 12 pieces of 1E006 and 3 pieces of 3H005.



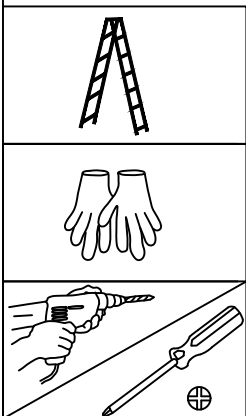
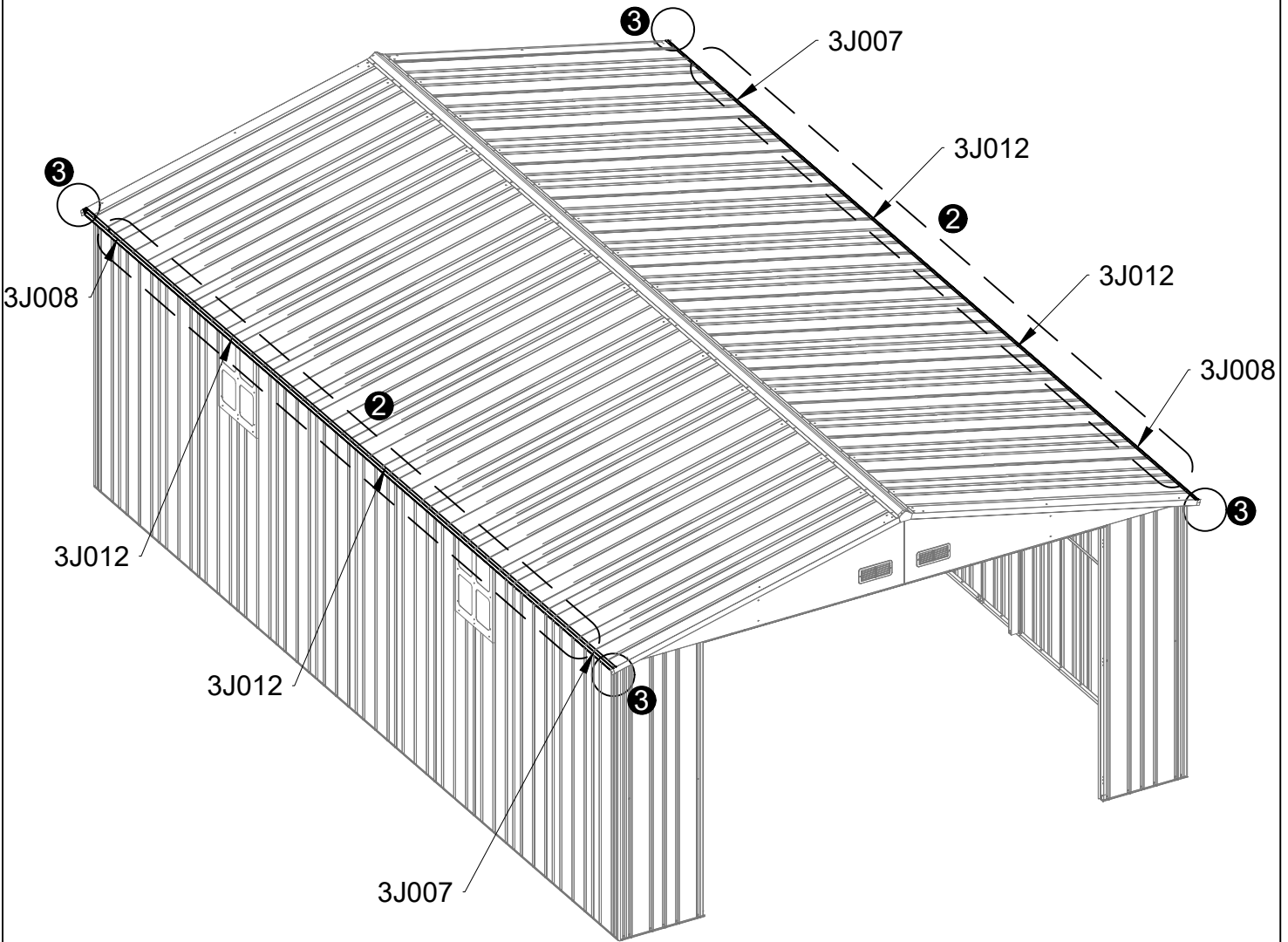
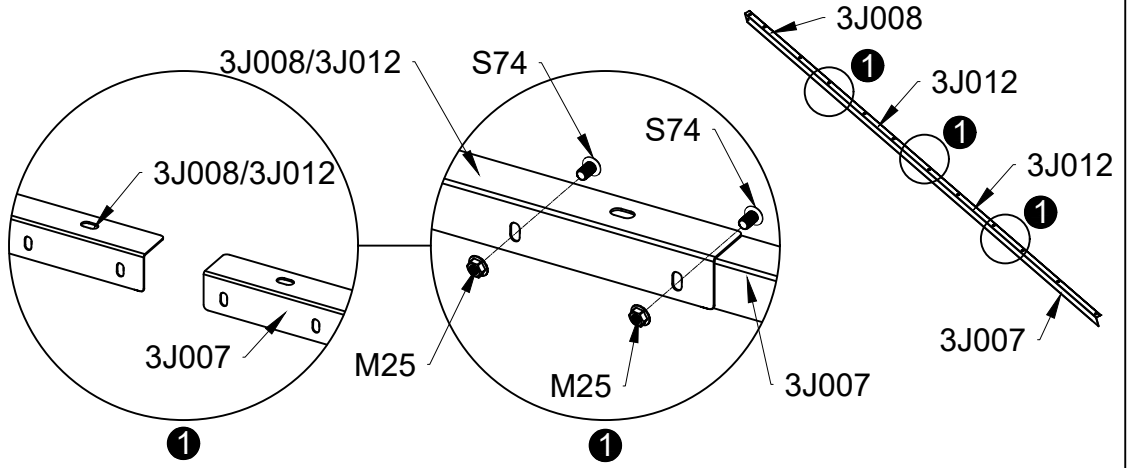
PART	NO	QTY
	1E006	2
	S74	18
	M4X8	
	M25	18
	M4	
	H127	18



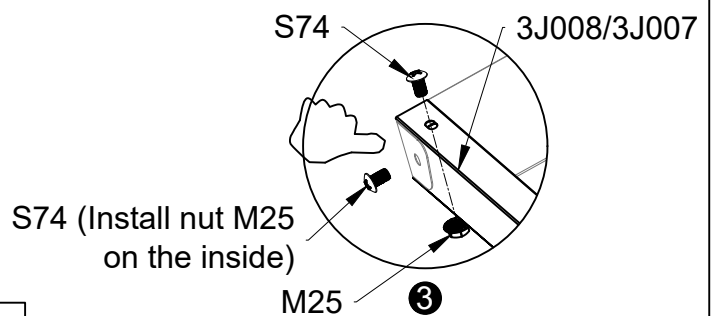
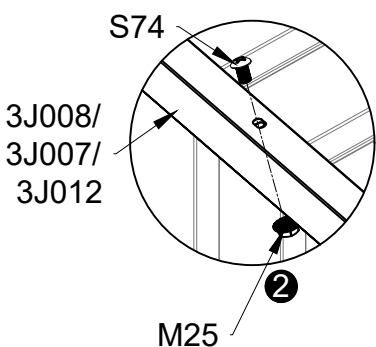
PART	NO	QTY
	3H006	1
	D356	1
	S74 M4X8	4
	M25 M4	4
	H127	4






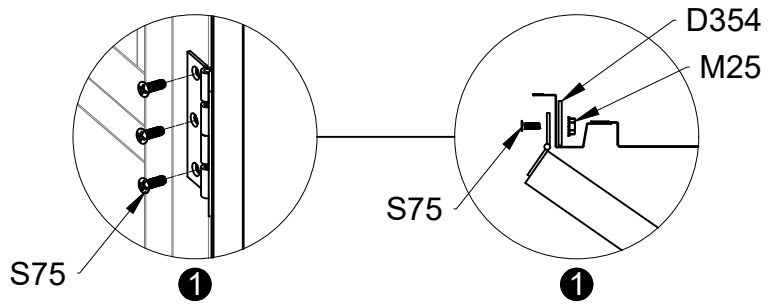
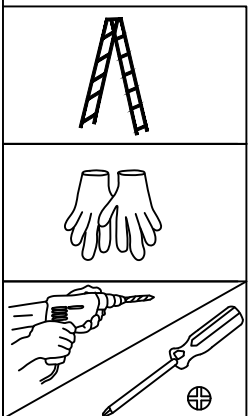
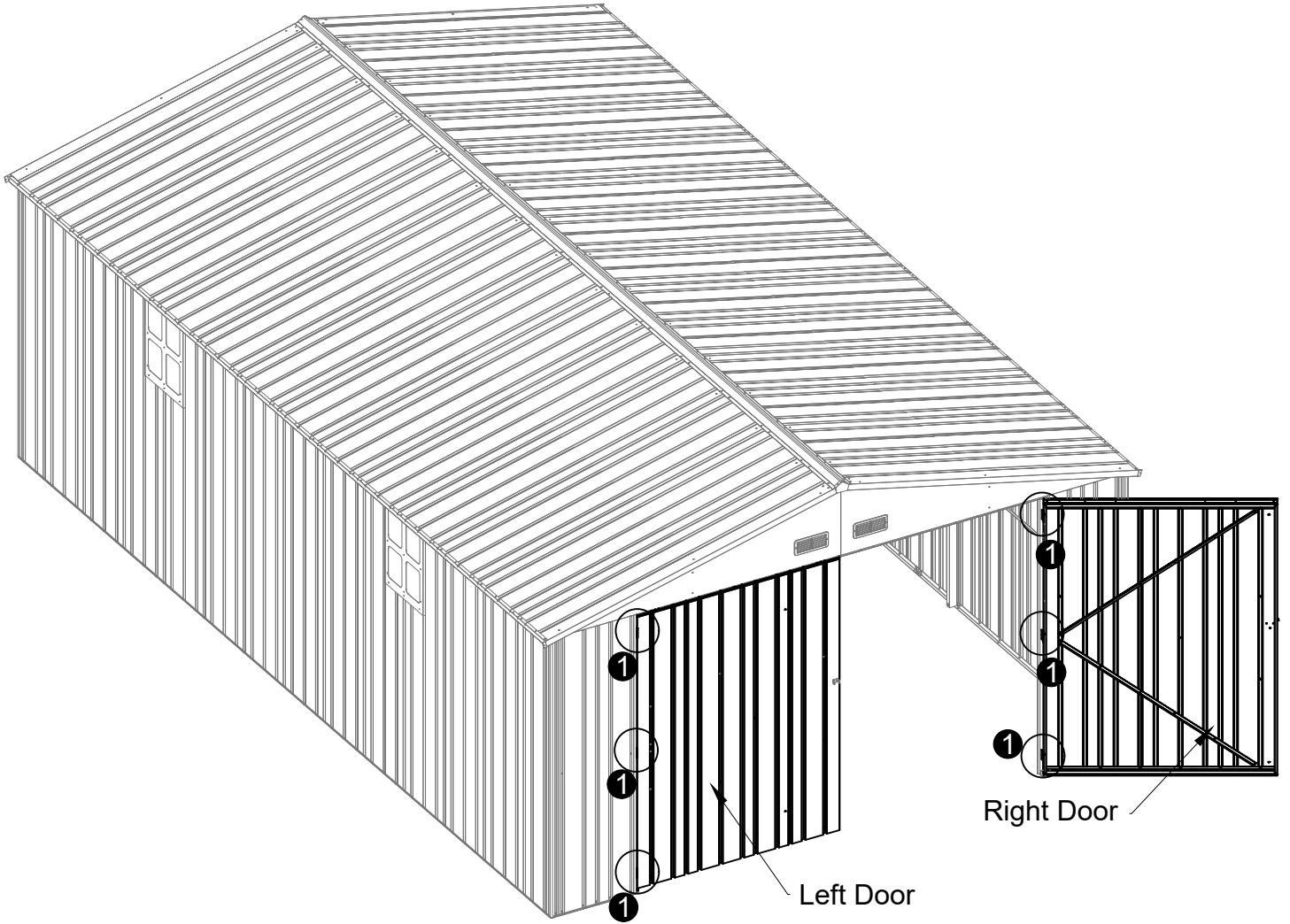
PART	NO	QTY
	3J008	2
	3J007	2
	3J012	4
	S74	76
	M4X8	
	M25	76
	M4	






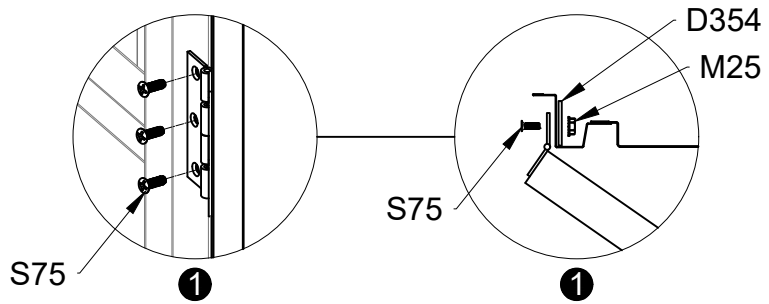
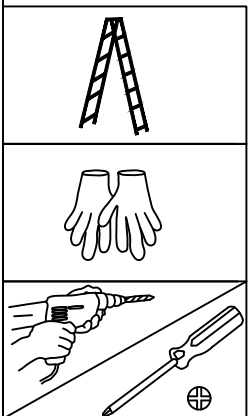
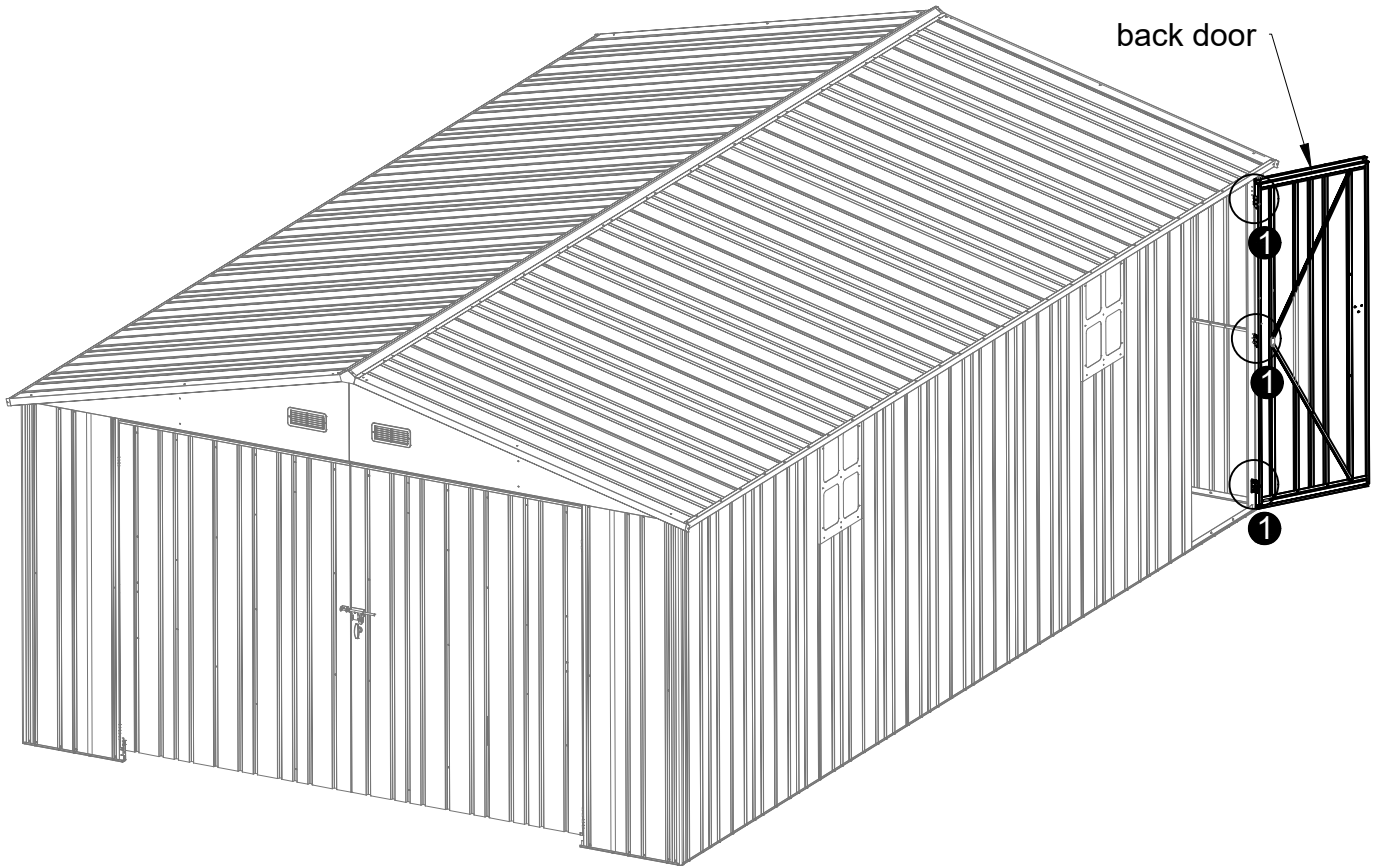
Fold the edges of 3G011/3G012 over and wrap them around 3J008/3J007






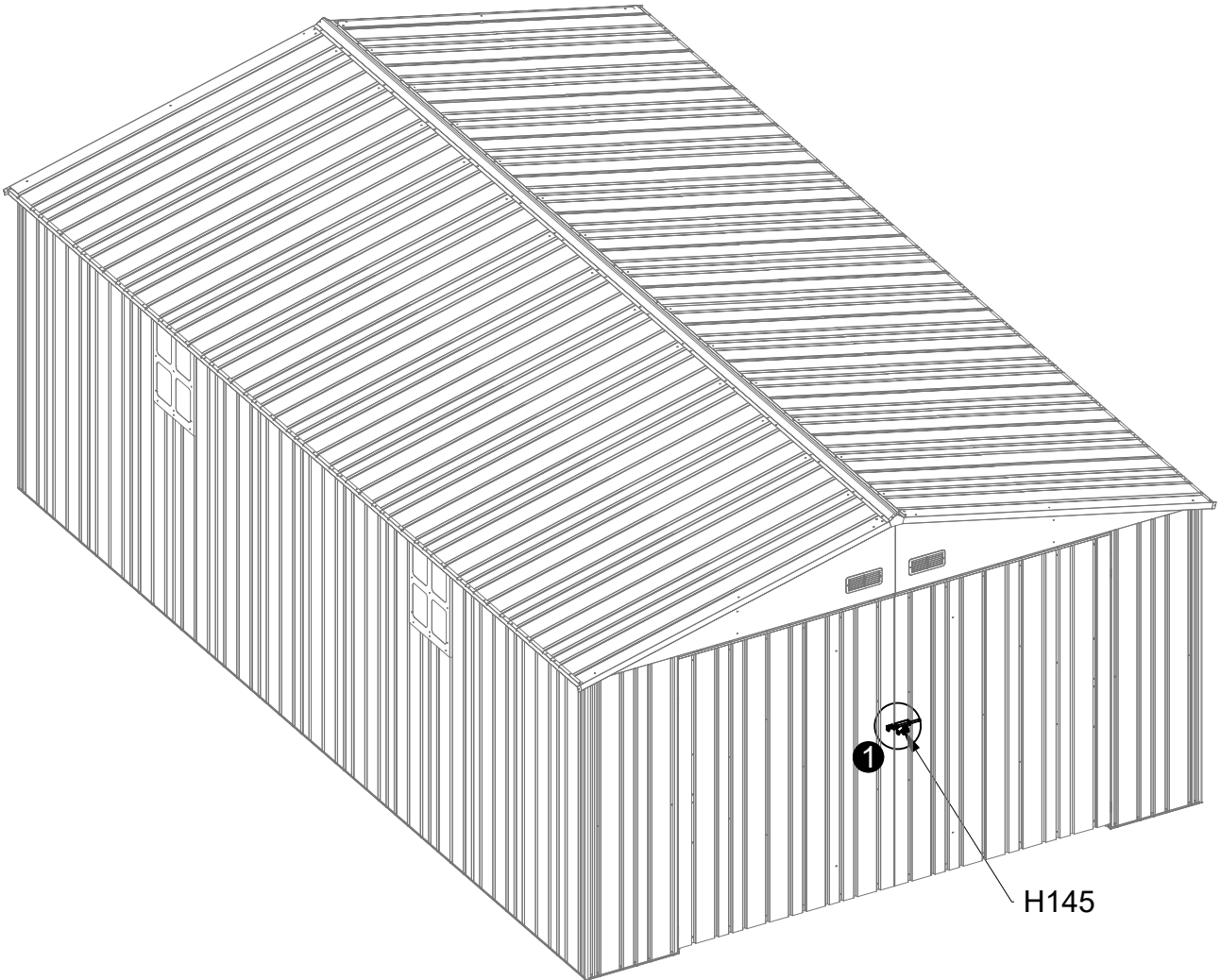
PART	NO	QTY
	D354	6
	S75	18
	M4X10	
	M25	18
	M4	



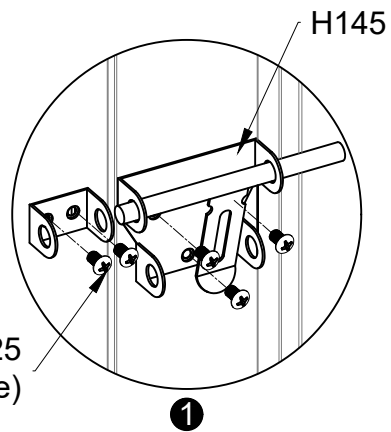
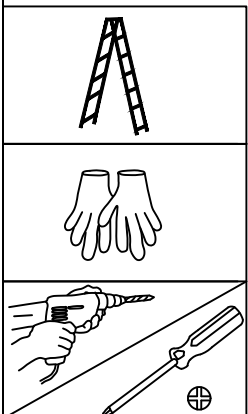
PART	NO	QTY
	D354	3
	S75	9
	M4X10	
	M25	9
	M4	



PART	NO	QTY
	H145	2
	S74	10
	M4X8	
	M25	10
	M4	

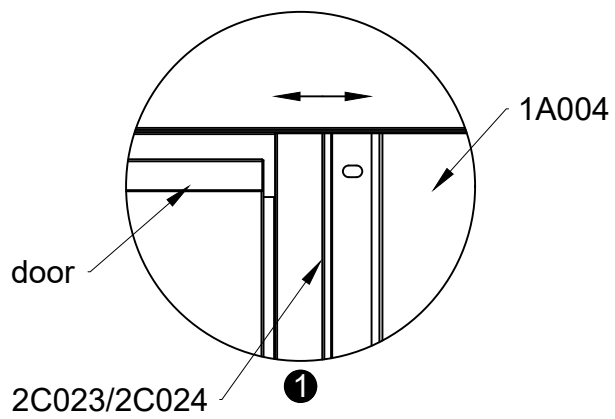
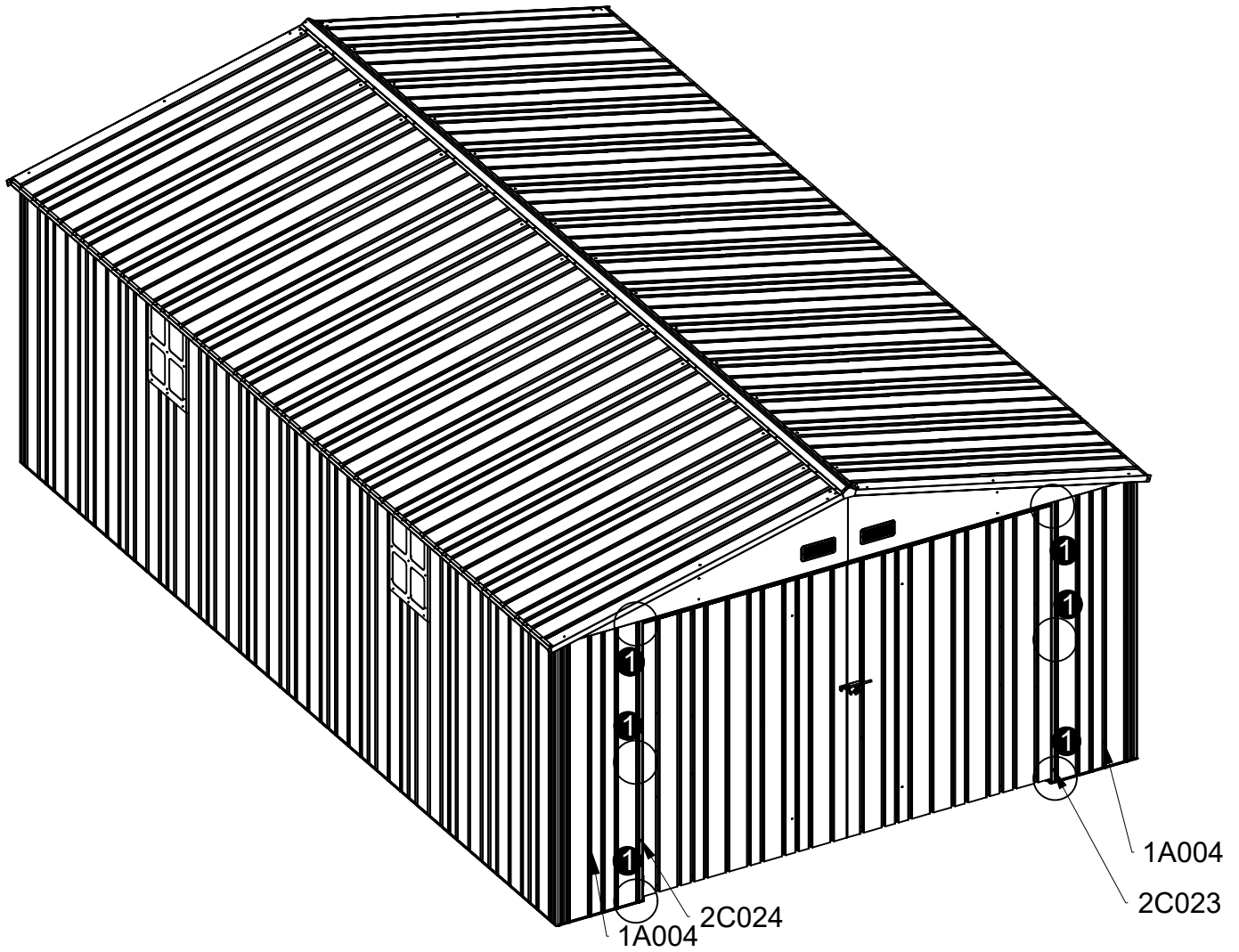


H145



S74 (Install nut M25  
on the inside)

The rear door is installed using the same  
method.



You can adjust the parallelism of the door by moving 2C023/2C024 left or right using these six screws.

