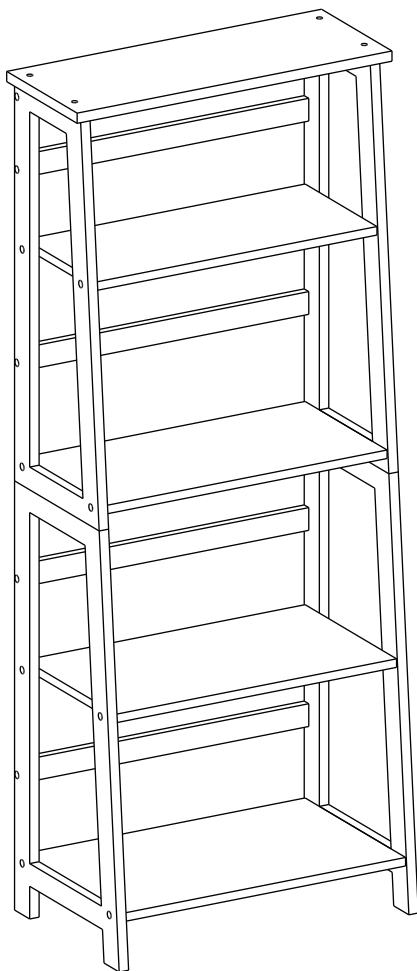


---

---

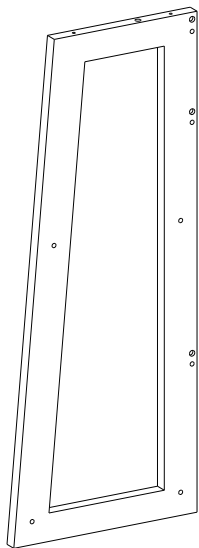
# ASSEMBLY INSTRUCTIONS

<<Before assembling, read all instructions>>



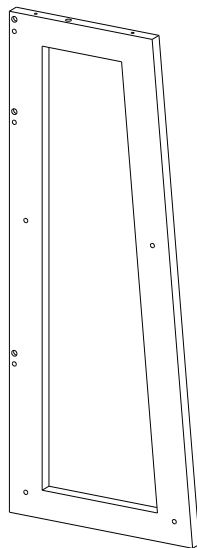
**A**

× 1



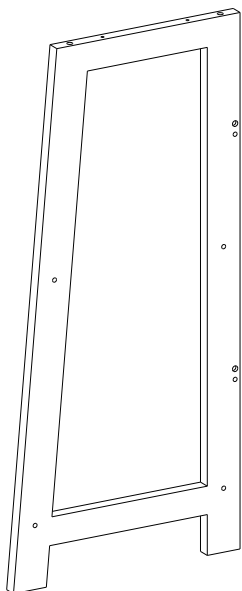
**B**

× 1



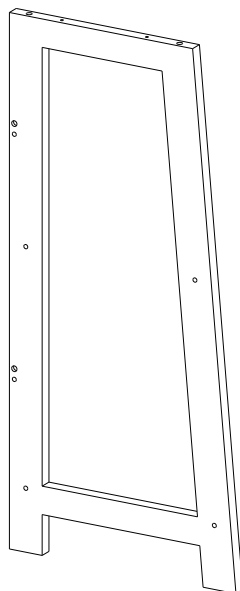
**C**

× 1



**D**

× 1



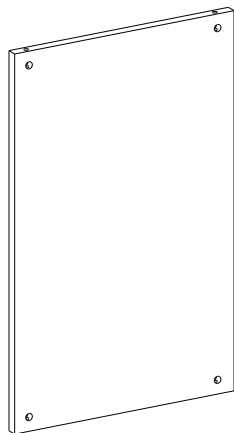
**E**

× 1



**F**

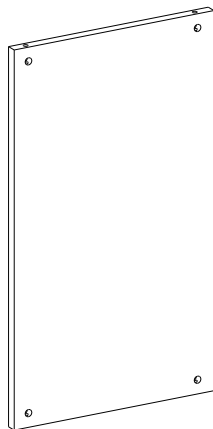
× 1



535 × 335mm

**G**

× 1



535 × 305mm

**H**

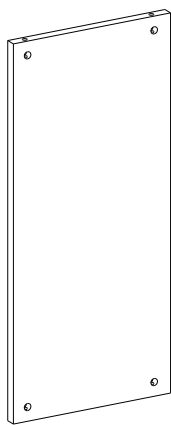
× 1



535 × 275mm

**I**

× 1



535 × 245mm

**J**

× 1



**K**

× 4

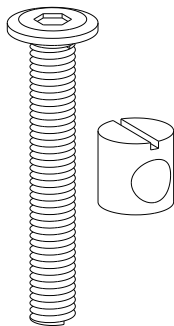


**L**

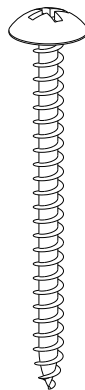
16+2

**M**

26+1

**N**

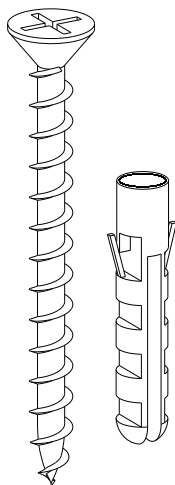
× 8

**O**

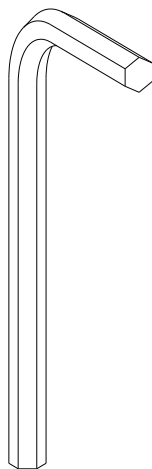
32+2

**P**

× 2

**Q**

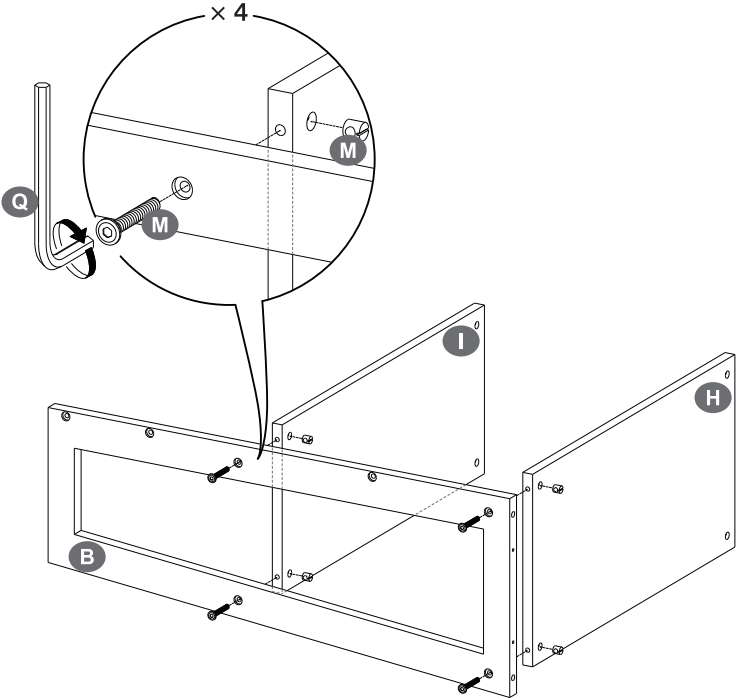
× 1



---

---

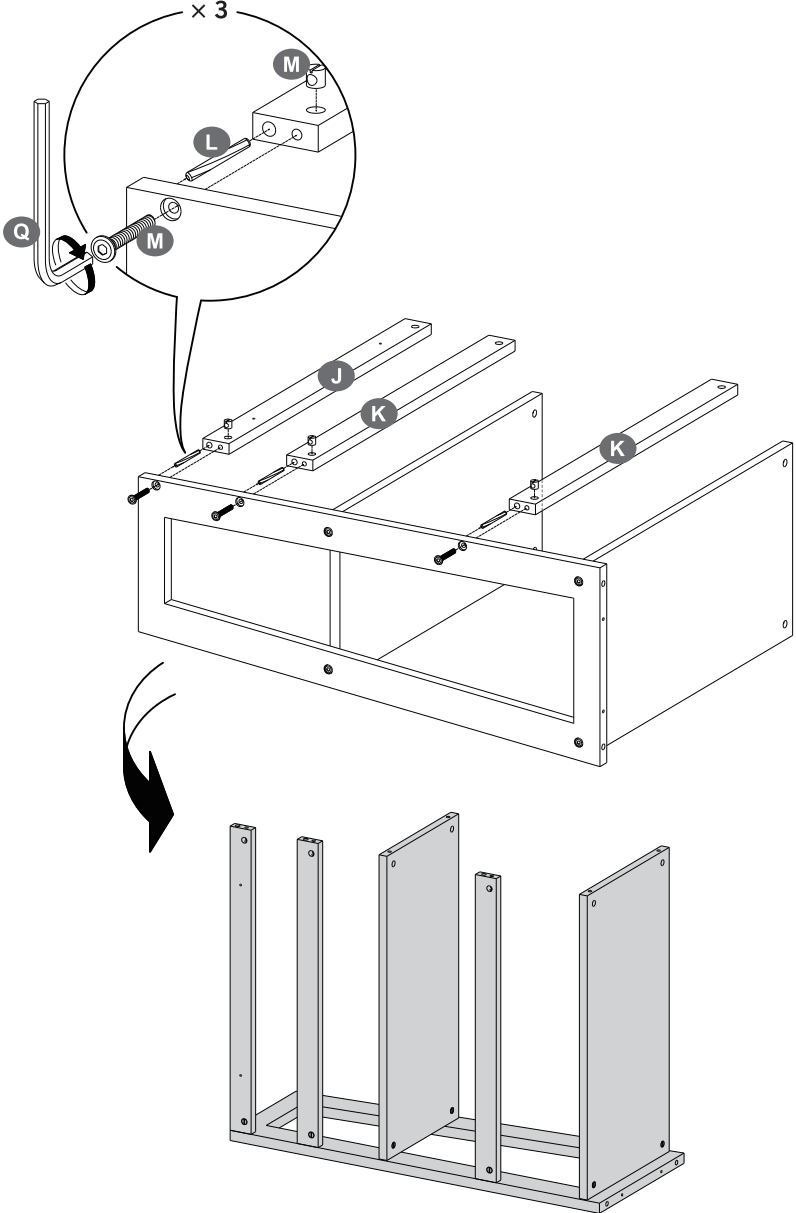
# Step 1



---

---

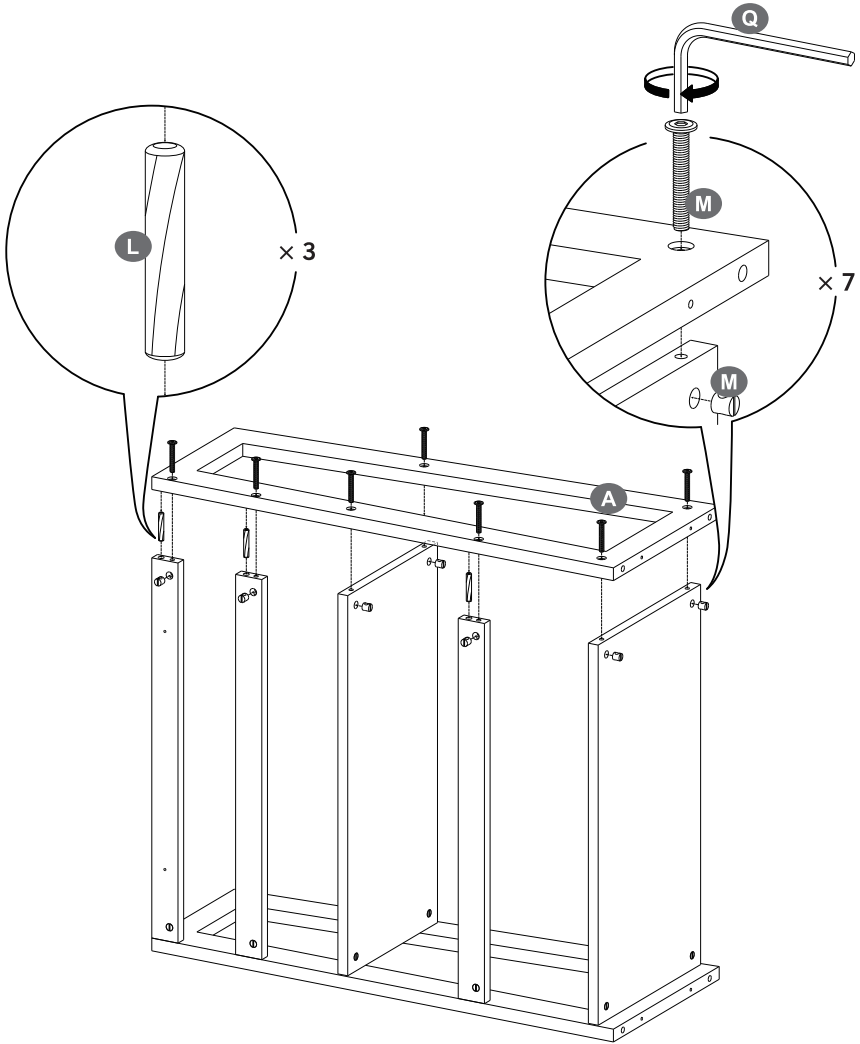
*Step 2*



---

---

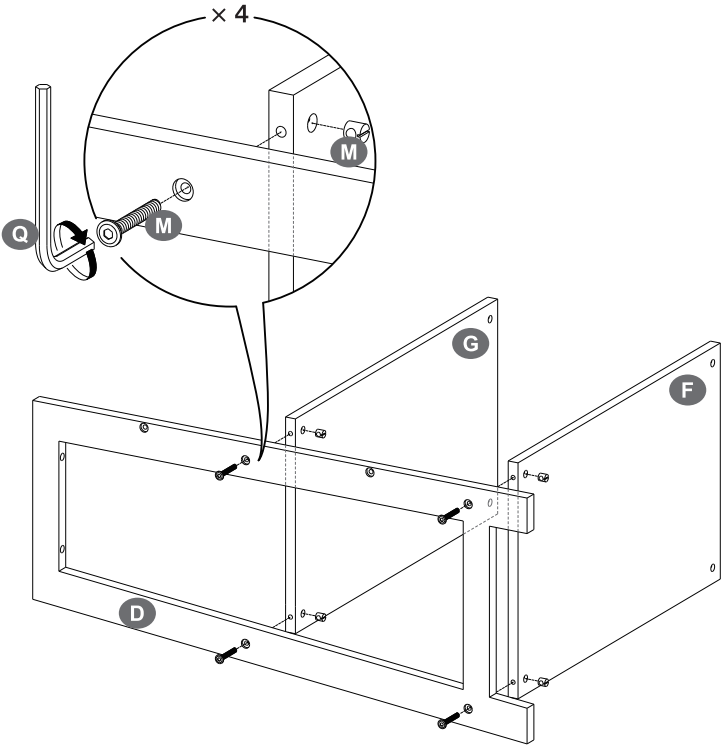
# Step 3



---

---

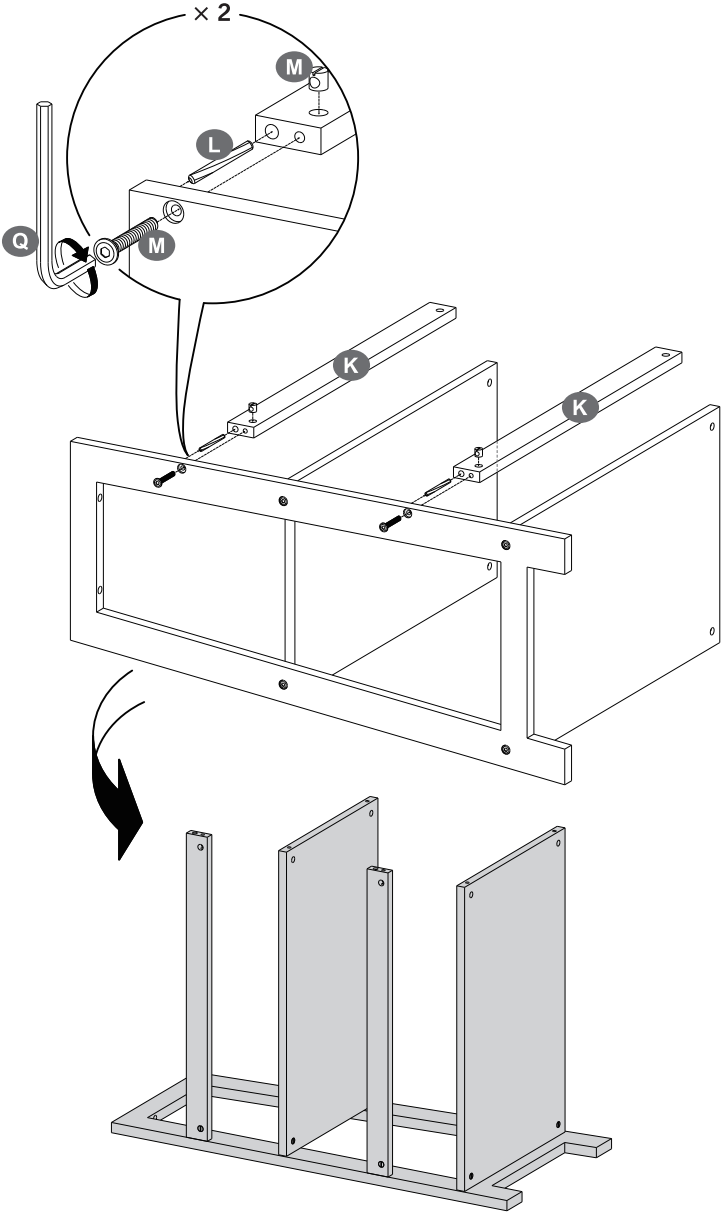
# Step 4



---

---

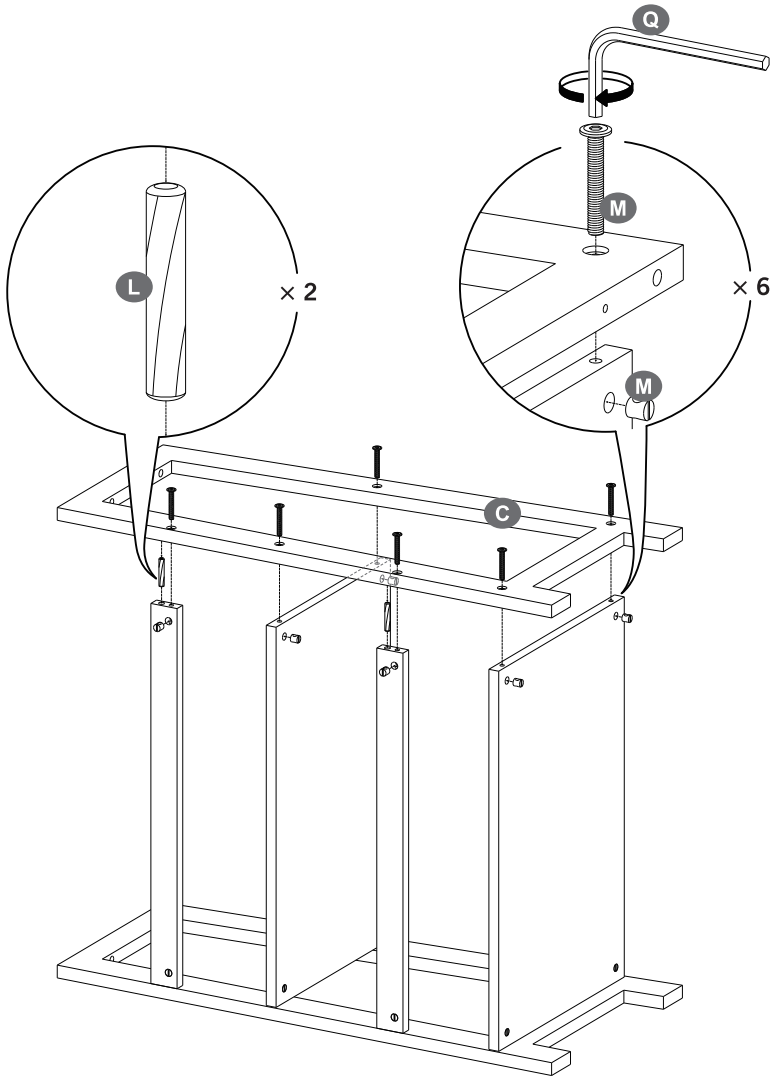
# Step 5



---

---

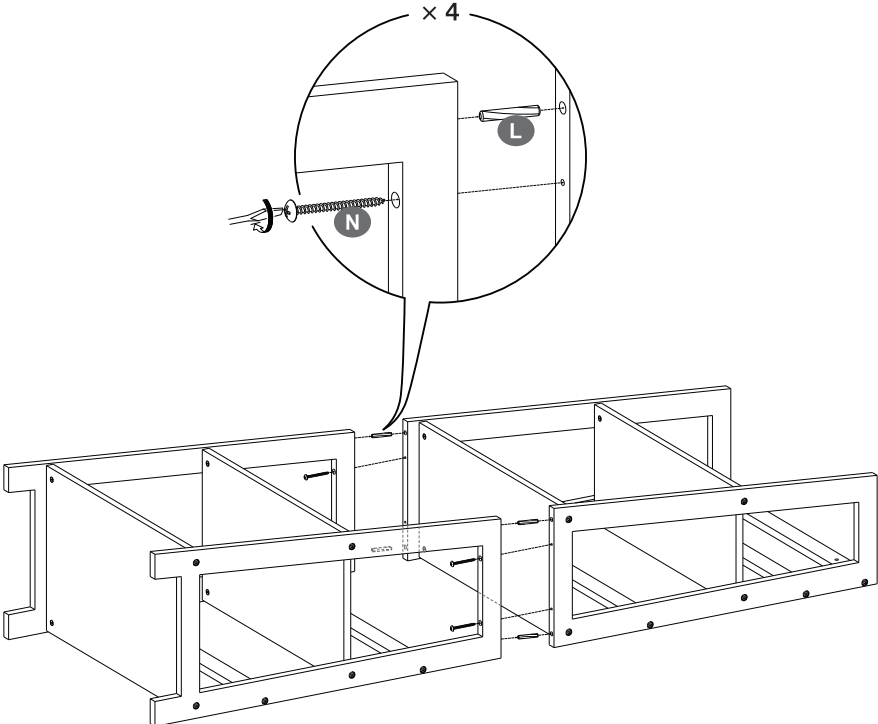
# Step 6



---

---

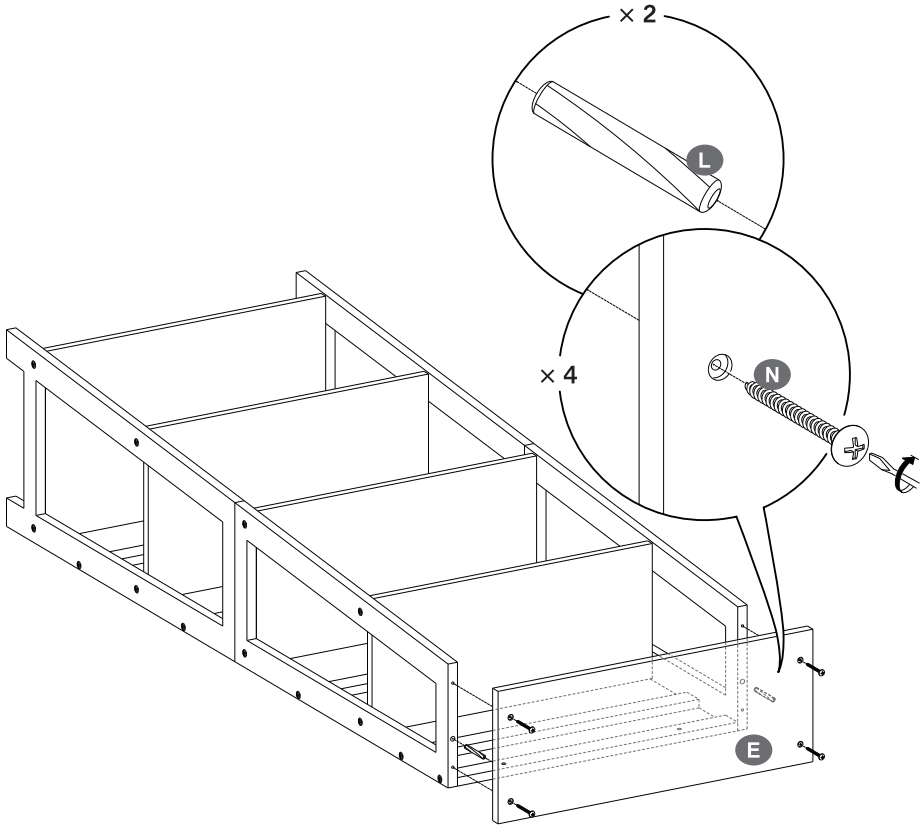
# Step 7



---

---

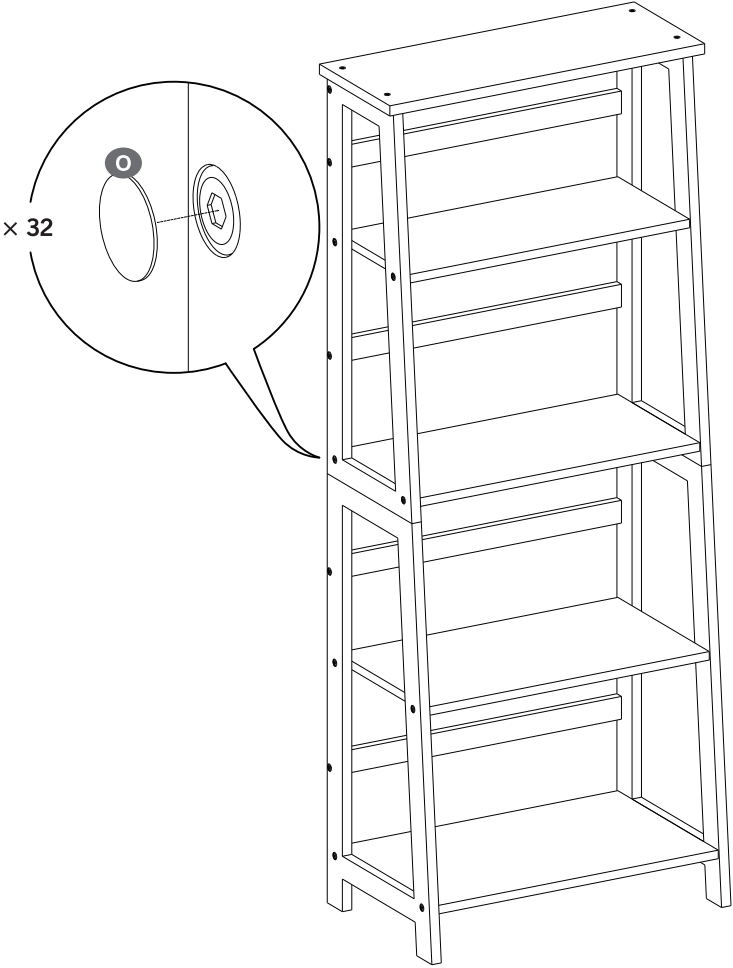
# Step 8



---

---

*Step 9*



---

---

# Step 10

