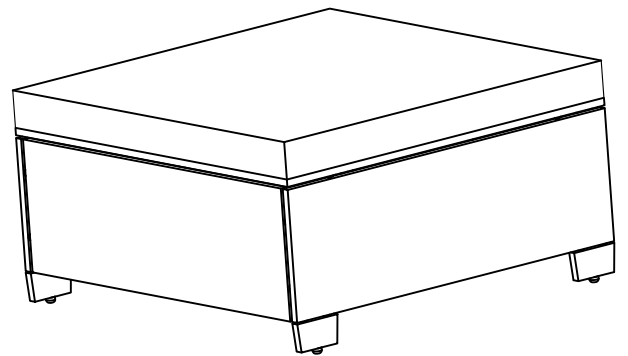
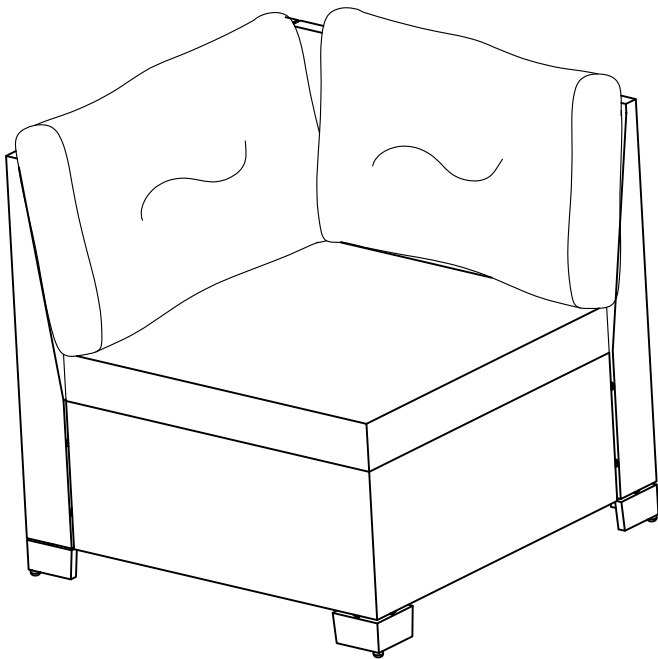


SOOHOW

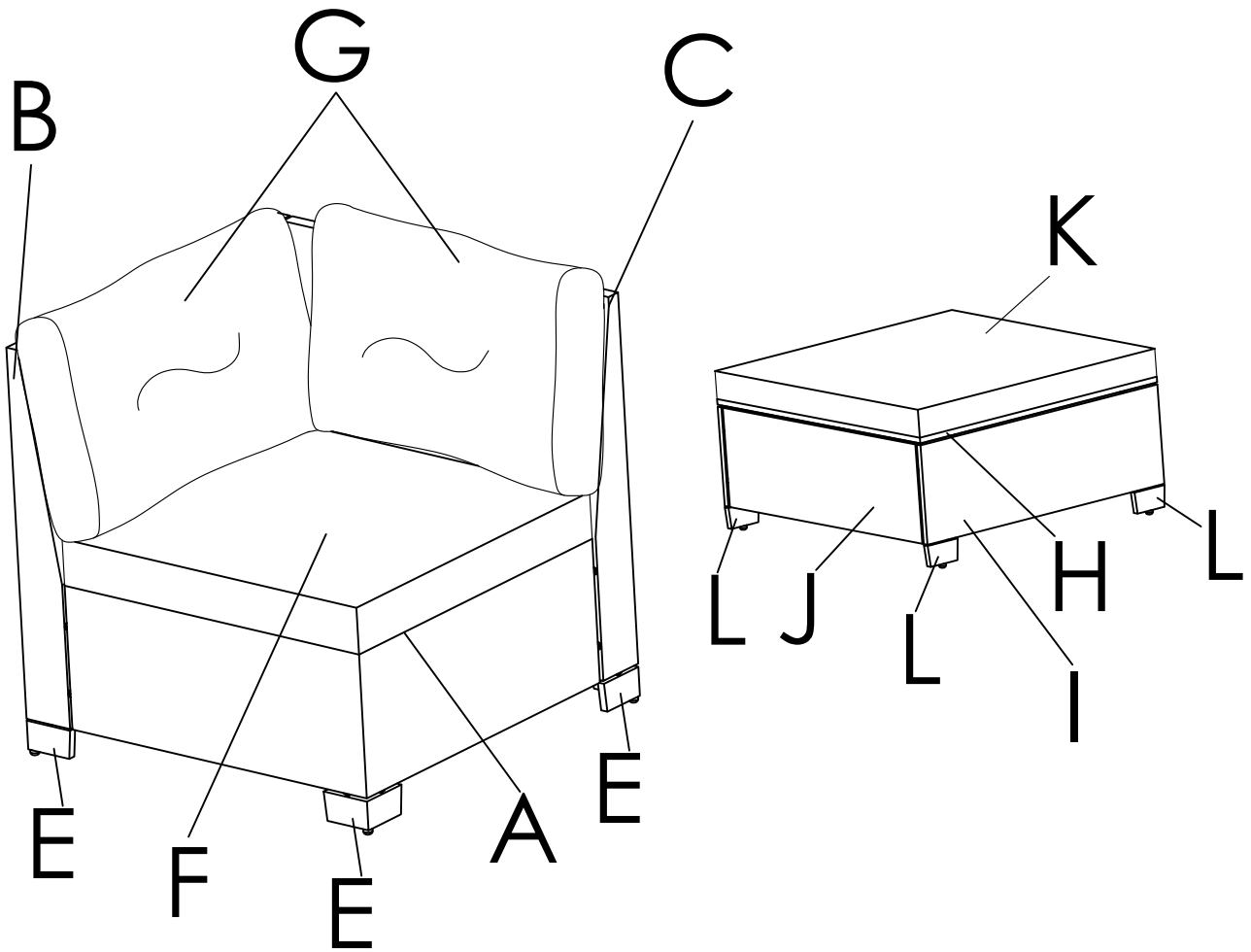
Assembly Manual Corner SOFA & Ottoman CS004



Please read this manual carefully before any operation and keep it properly for future use.

If any problems on our product, please feel free to contact us at ecservice@isunon.com.

Exploded View



Components List

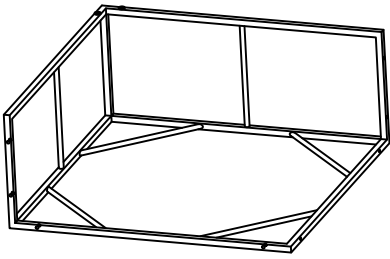
30min

Assemble Time



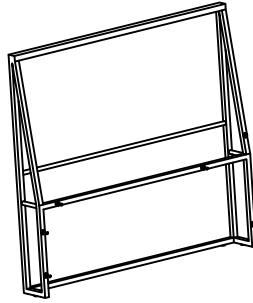
One People

A



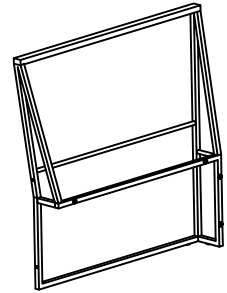
Seat (X1)

B



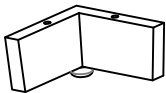
Armrest (X1)

C



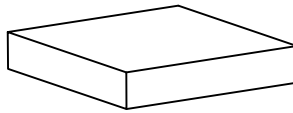
Back (X1)

E



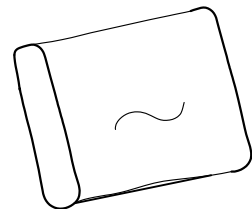
Plastic foot (X4)

F



Seat Cushion (X1)

G



Back Cushion (X2)

Components List

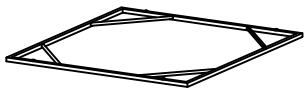
30min

Assemble Time



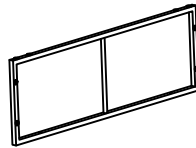
One People

H



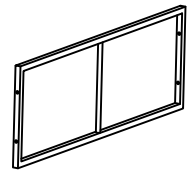
Surface (X1)

I



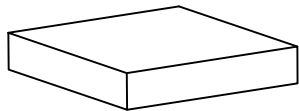
Foot (X2)

J



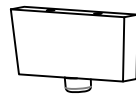
Connector (X2)

K




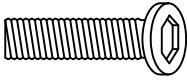


Seat Cushion (X1)

L



Plastic foot (X4)

Components list

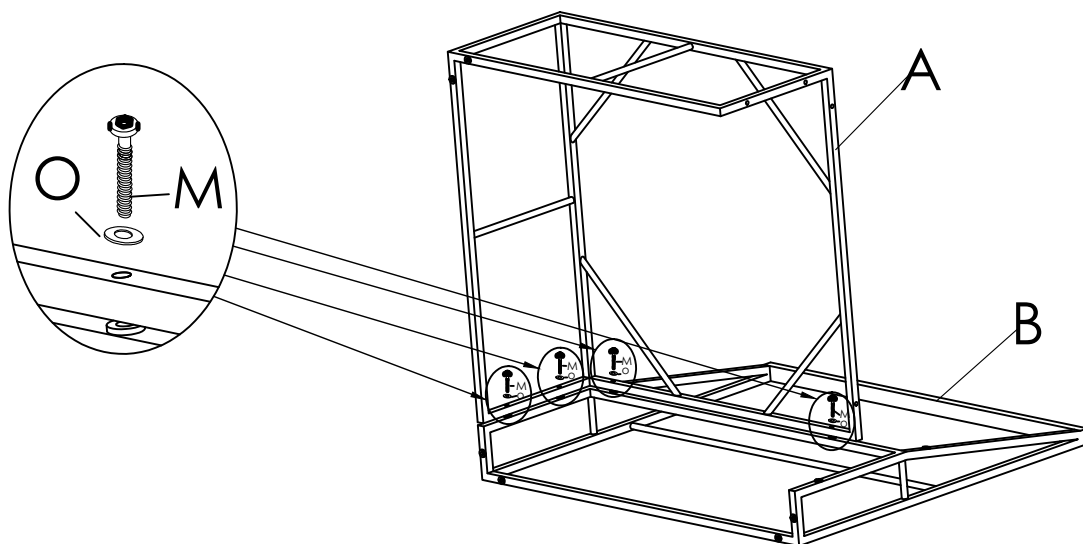
| M | | | N | | | O | | |
|---|-------|------|---|-------|------|---|----|------|
|  | | |  | | |  | | |
| Bolt | M6x35 | 22+2 | Bolt | M6x45 | 16+2 | Washer | M6 | 22+2 |
| P | | | | | | | | |
|  | | | | | | | | |
| Allen wrench | M6 | 1 | | | | | | |

NOTE: The number after "+" sign indicates the extra piece(s).

Assembly Instruction

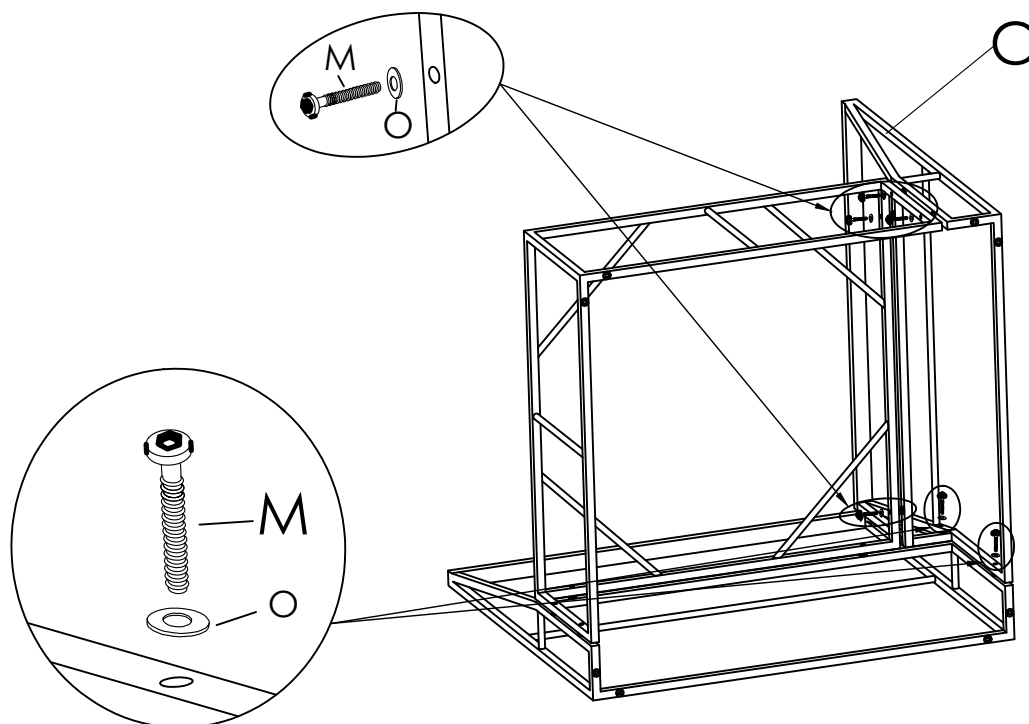
STEP 1

Align sofa seat(A) and armrest(B) together using washers(O).bolts(M) and Allen wrench(P).
Hand-tighten all screws to about 80% first. After all screws are in place, tighten them fully in sequence



STEP 2

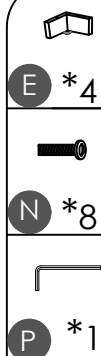
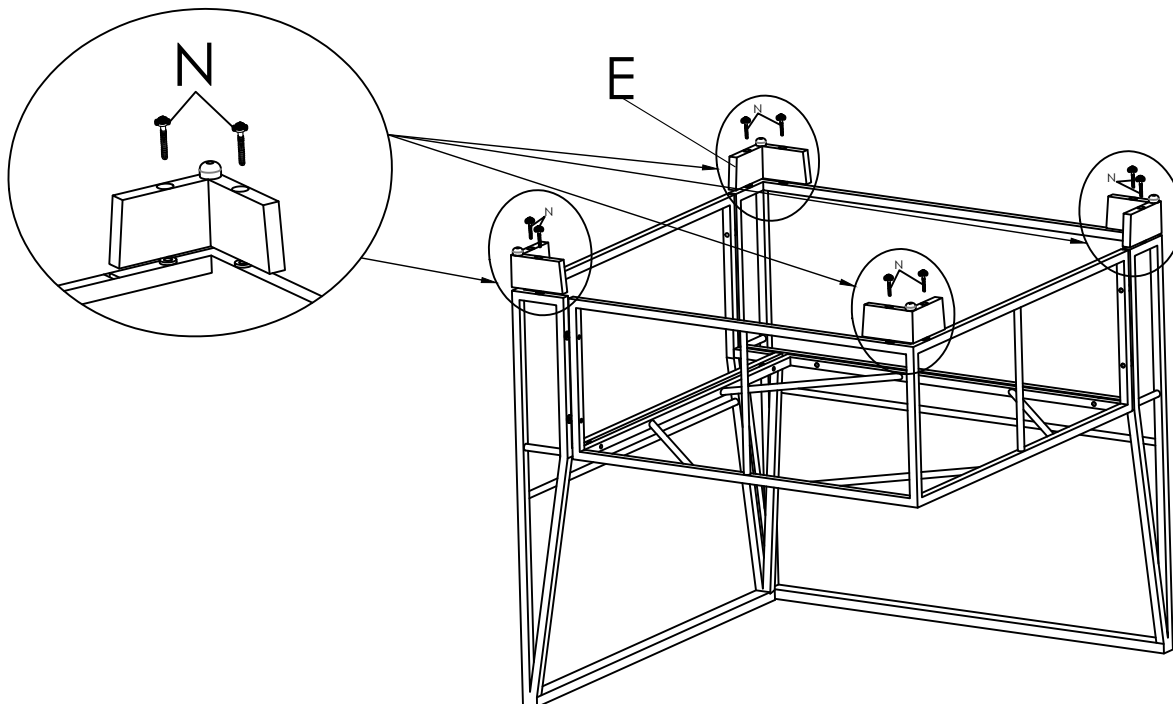
Attach sofa back(C) to the seat using washers(O).bolts(M) and Allen wrench(P).
Hand-tighten all screws to about 80% first. After all screws are in place, tighten them fully in sequence



Assembly Instruction

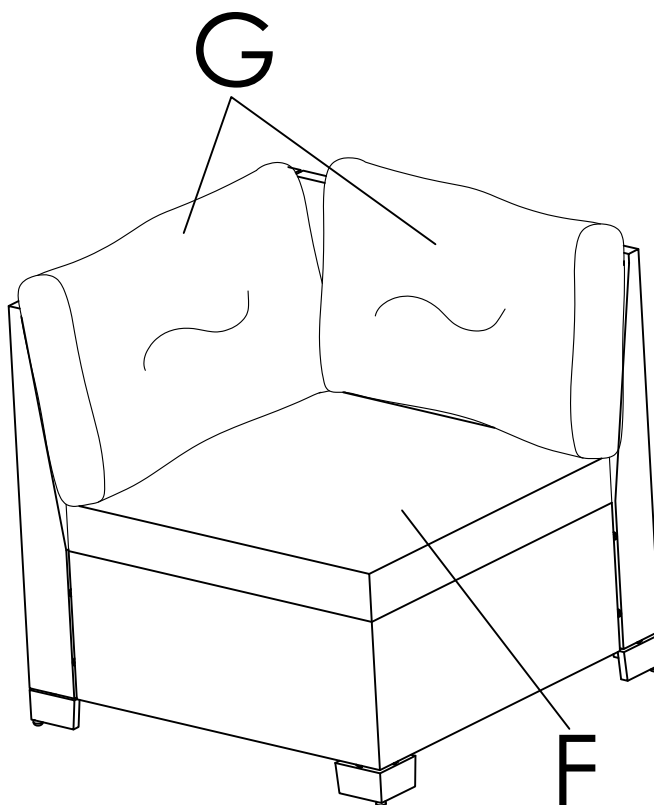
STEP 3

Attach plastic foot(E) to the seat using bolts(N) and Allen wrench(P).



STEP 4

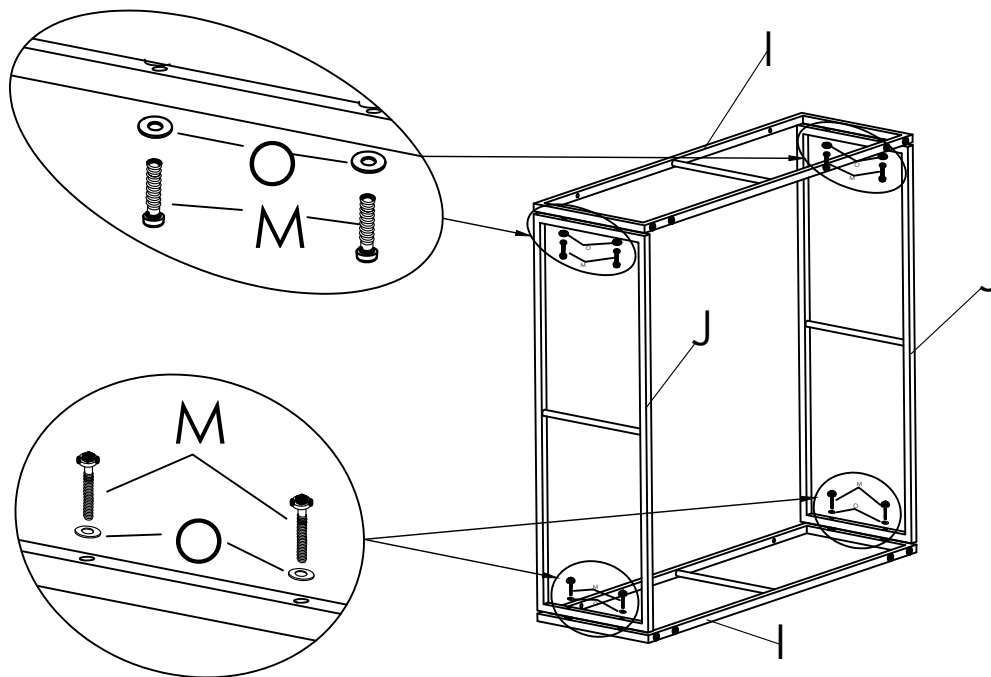
Flip the Sofa over and put seat cushion(F) and back cushion(G) on the Sofa. The assembly is done.



Assembly Instruction

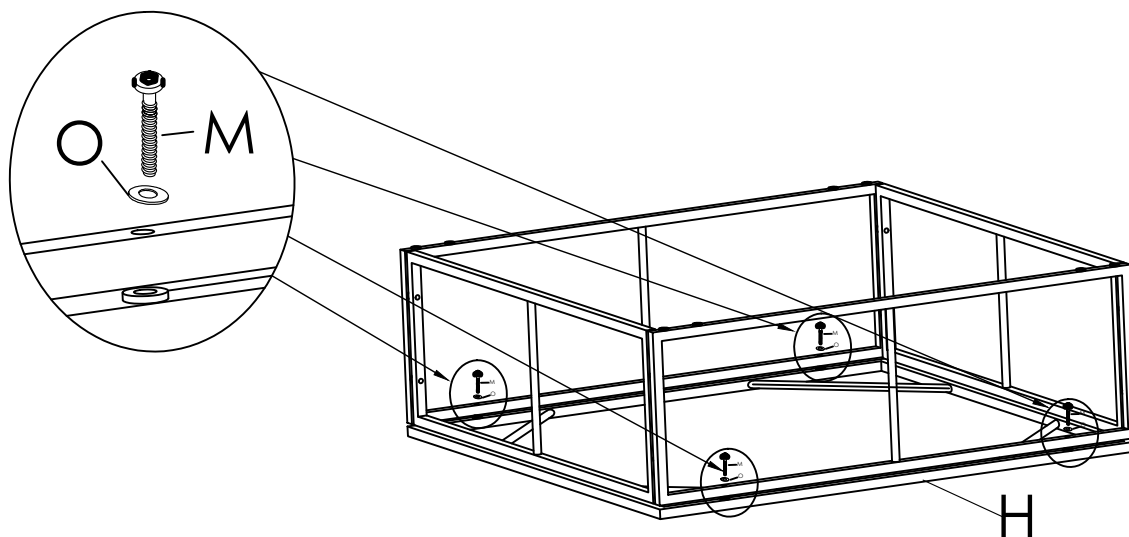
STEP 5

Align Foot(I) and connectors(J) using washers(O), bolts(M) and Allen wrench(P).
Hand-tighten all screws to about 80% first. After all screws are in place, tighten them fully in sequence



STEP 6

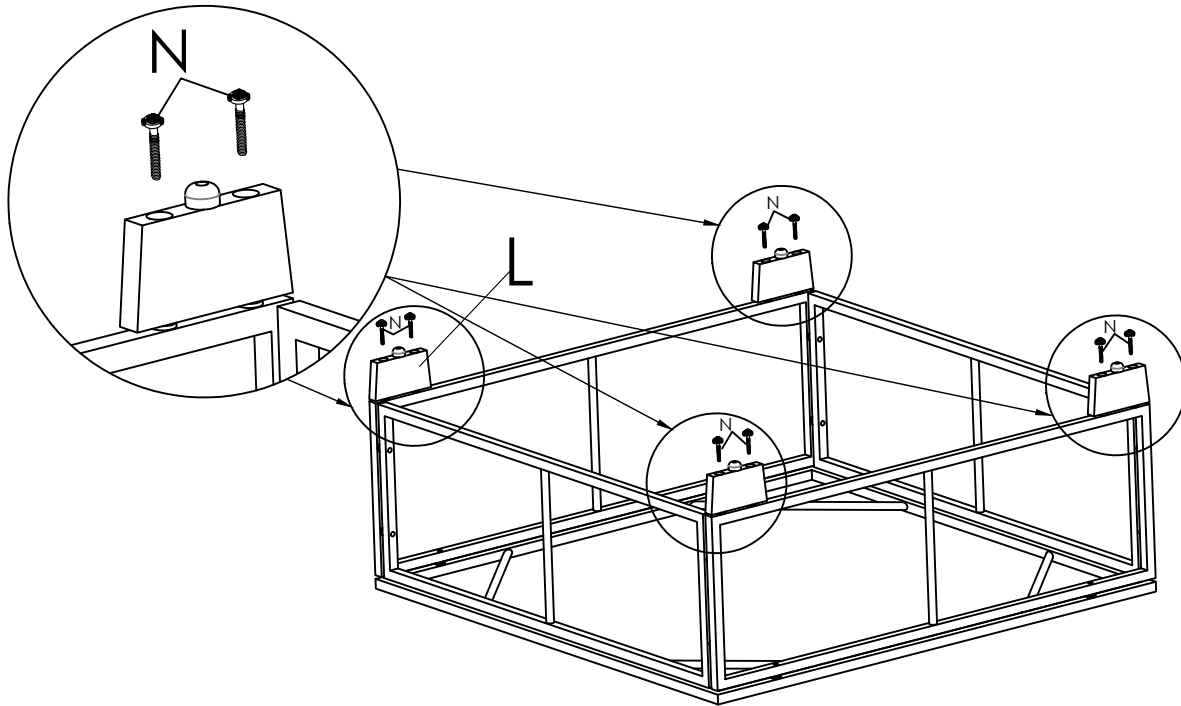
Attach surface(H) to the frame using washers(O), bolts(M) and Allen wrench(P).
Hand-tighten all screws to about 80% first. After all screws are in place, tighten them fully in sequence



Assembly Instruction

STEP 7

Attach plastic foot(L) to the seat using bolts(N) and Allen wrench(P).



STEP 8

Flip the Ottoman over and put seat cushion(K) on the surface. The assembly is done.

