

## ITEM NO.

---

### NOTE:

This brochure contains IMPORTANT safety info. Please read and keep for future reference.

---

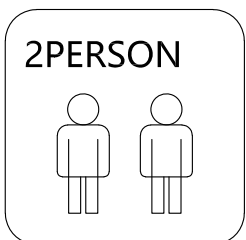
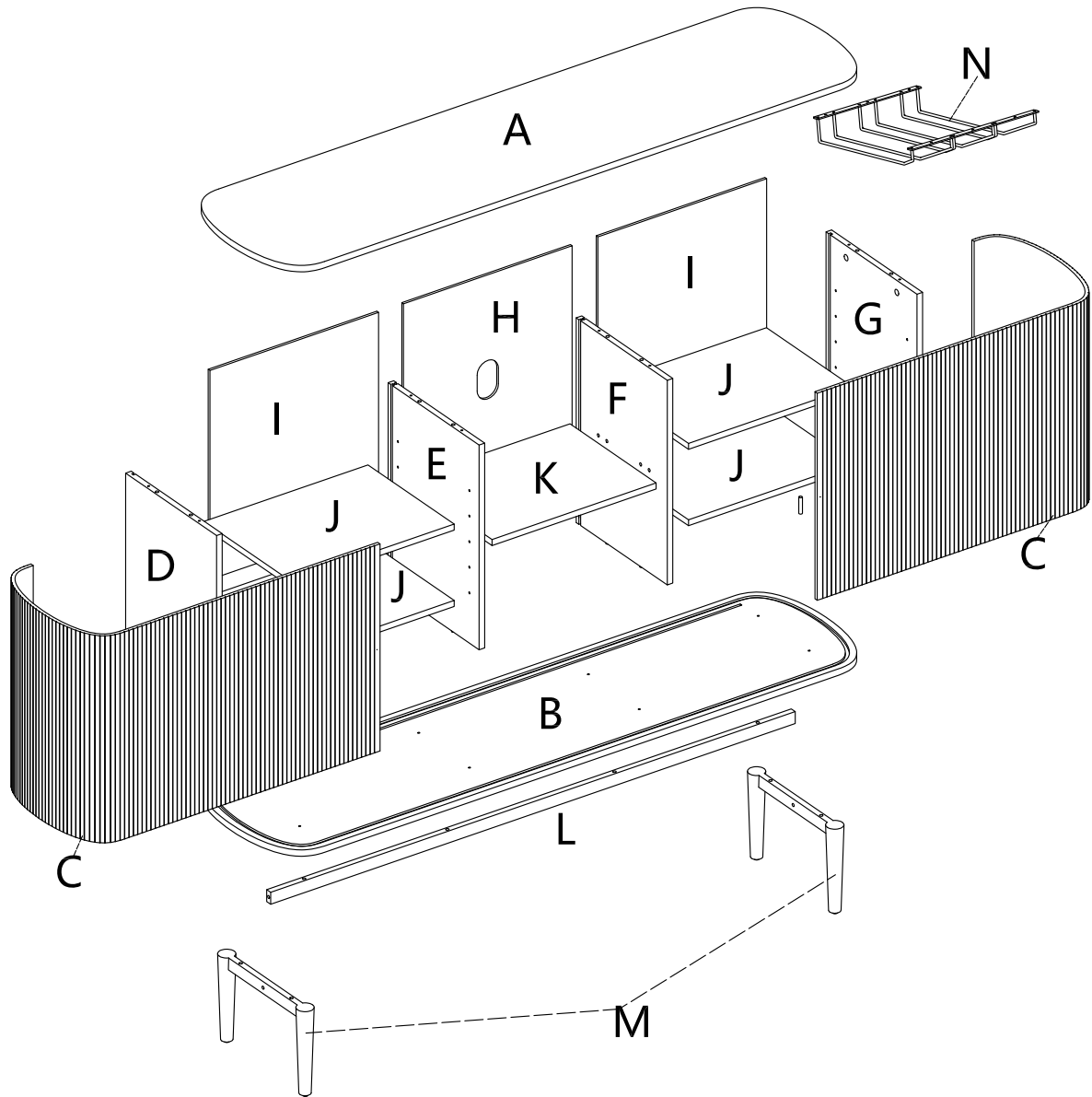
# MAINTAINANCE AND WARNING

- 1.Keep furniture away from heat sources.
- 2.Do not clean furniture with harsh cleaner or polishes.Do not use detergents,solvents,abrasives,spray packs or leather cleaner. Use non-color mild soa with warm water to clean spills(Mix 1:10 soap to water).
- 3.Do not place furniture under direct sunlight,material will possibly fade over time.
- 4.Do not use on site dry cleaning machine.Children should not climb or jump on the furniture.
- 5.Do not write on furniture that is not protectedby a padded barrier.
- 6.Not for commercial use,only for residential use.

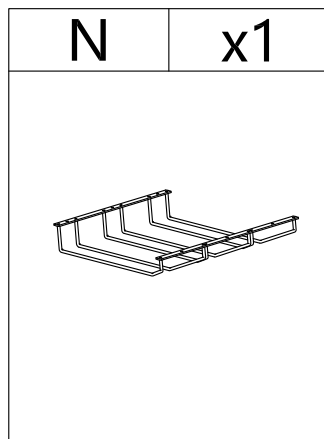
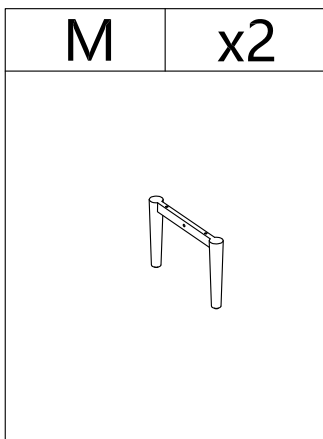
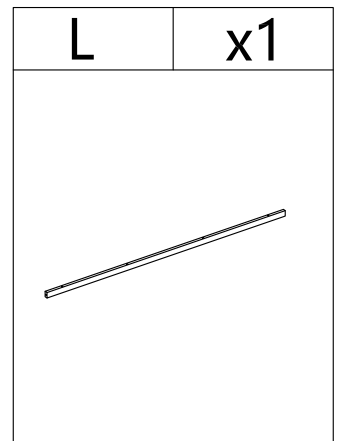
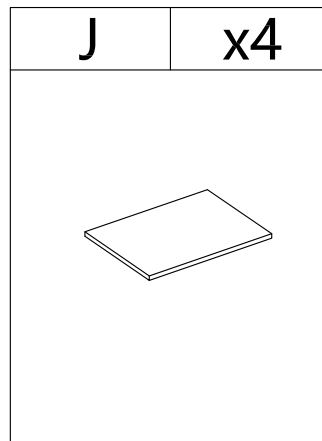
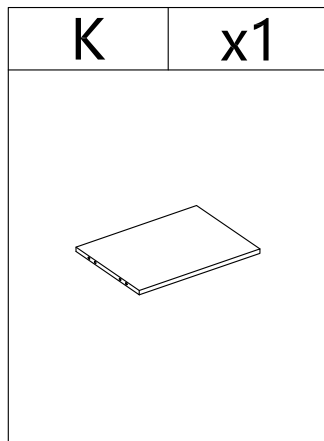
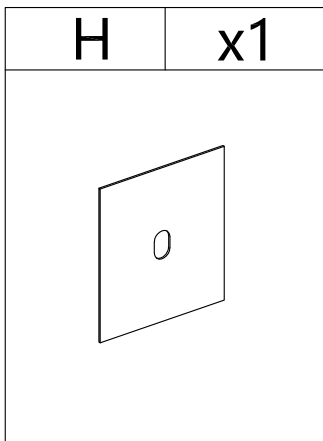
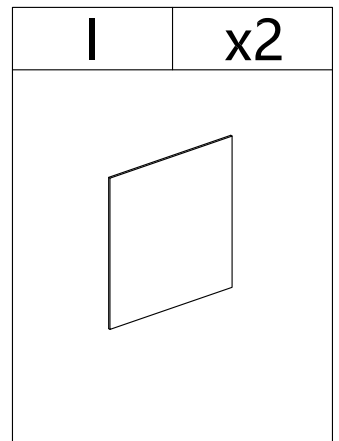
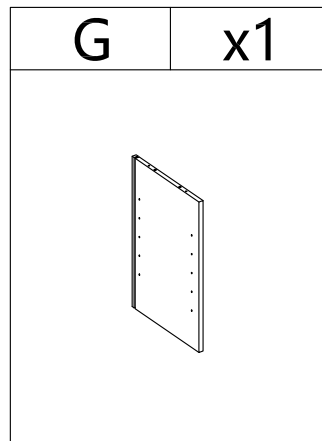
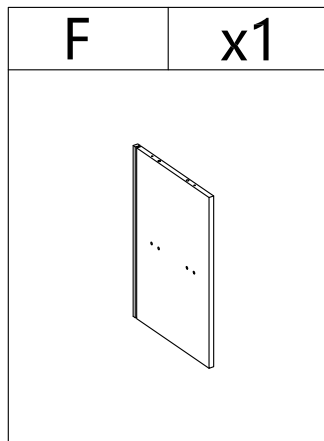
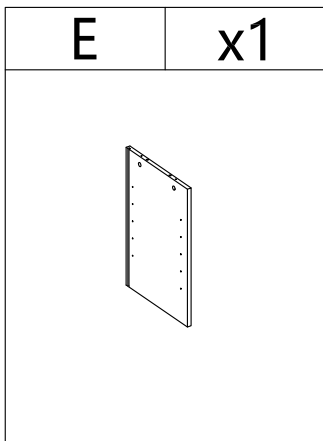
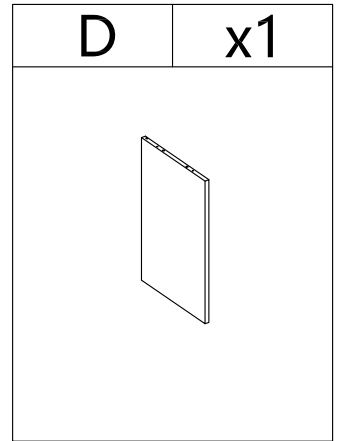
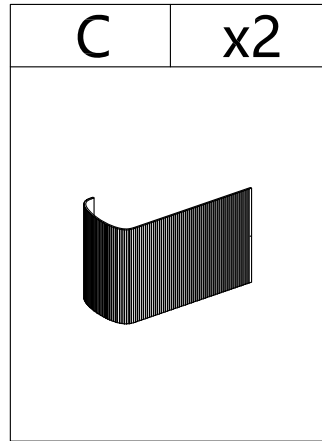
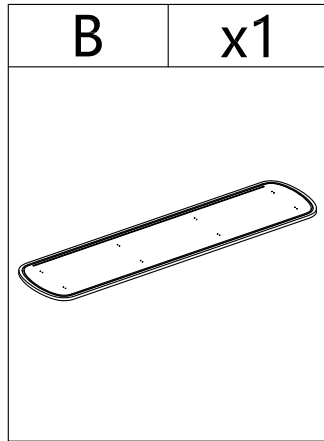
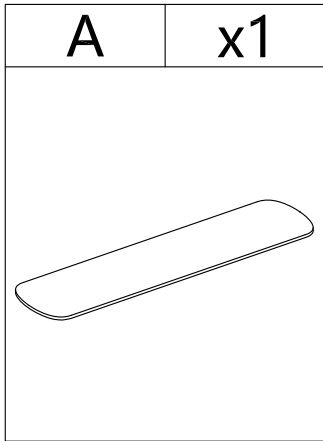


Weight Limitation  
**150 LBS**


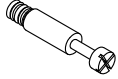

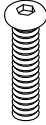
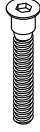


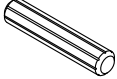


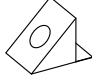


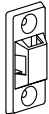


# EXPLOSIVE VIEW



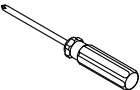

# PARTS LIST





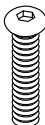
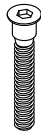
# HARDWARE LIST

#1	x22	#2	x12	#3	x4	#4	x10	#5	x8	#6	x2
											
M3.5*14mm		φ6*35mm		M4*35mm		M6*40		M7*40		M4*15	
#7	x12	#8	x20	#9	x12	#10	x16	#11	x12	#12	x2
											
φ15*12mm		φ8*30mm									
#13	x2	#14	x4	#15	x4	#16	x2				
											

# TOOL LIST

#17	x1	#18	x1
			
		M4	

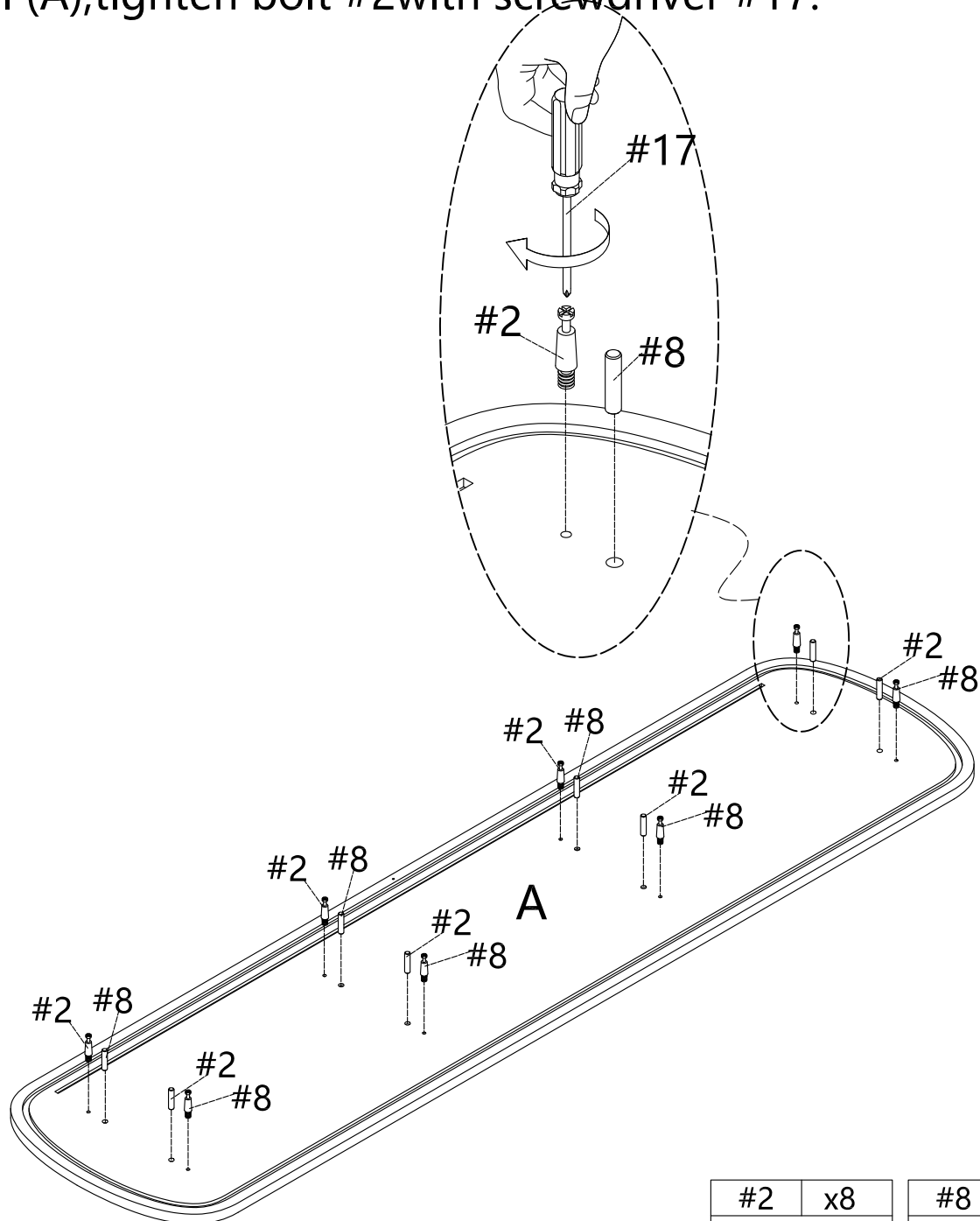
# HARDWARE SPARE LIST

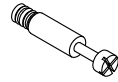
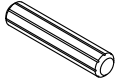
#1	x2	#3	x1	#4	x1	#5	x1
							
M3.5*14mm		M4*35mm		M6*40		M7*40	

# ASSEMBLY INSTRUCTIONS

## STEP-1

Insert wooden dowel #8 into the corresponding hole of top panel (A), screw bolt #2 into the corresponding hole of top panel (A), tighten bolt #2 with screwdriver #17.

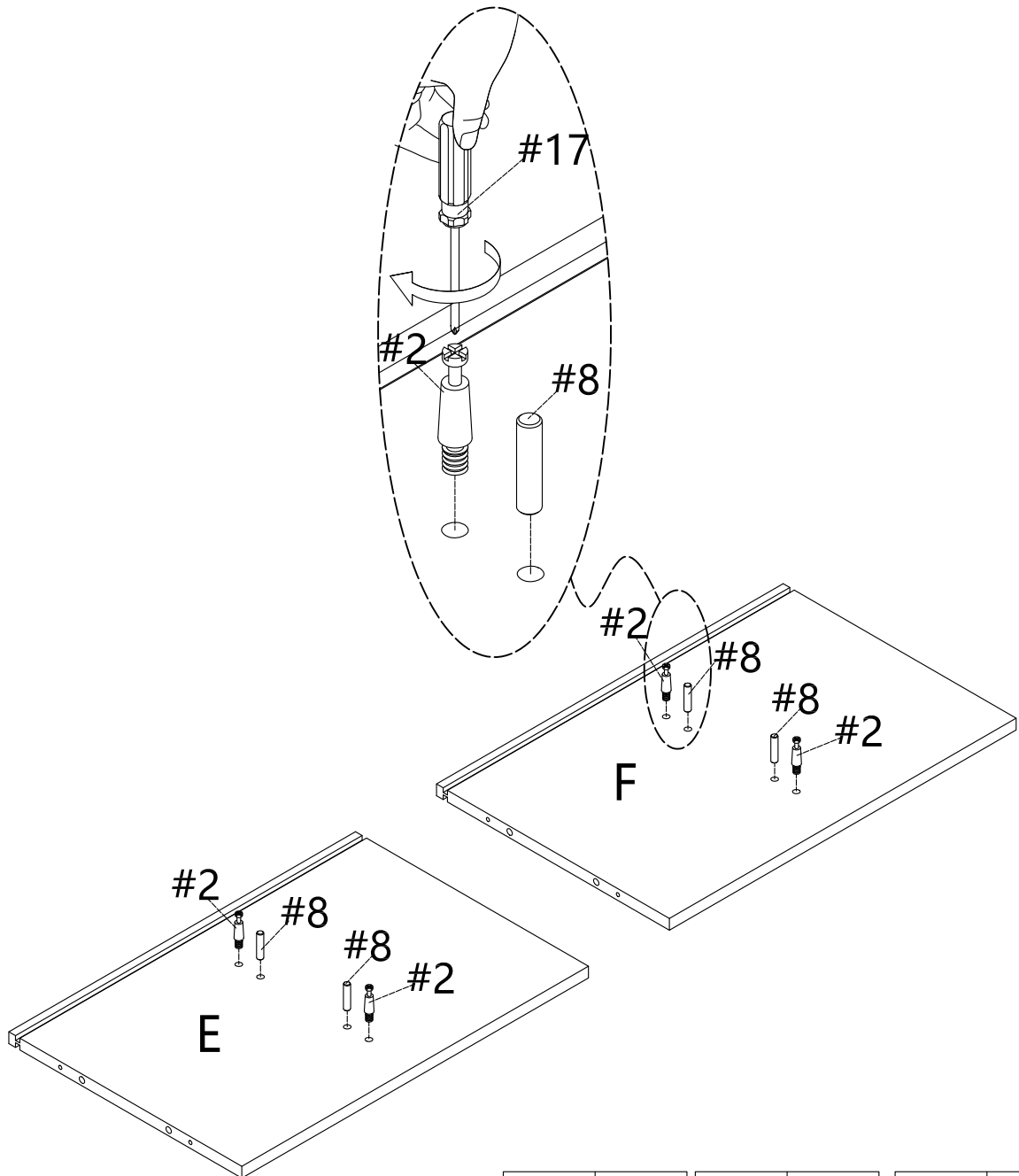


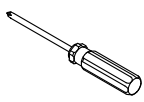
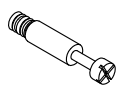
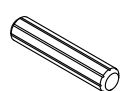
#2	x8	#8	x8
			
ø6*35mm		ø8*30mm	

# ASSEMBLY INSTRUCTIONS

## STEP-2

Insert wooden dowel #8 into the corresponding hole of panel (E)&(F),screw bolt #2 into the corresponding hole of panel (E)&(F),tighten bolt #2 with screwdriver #17.

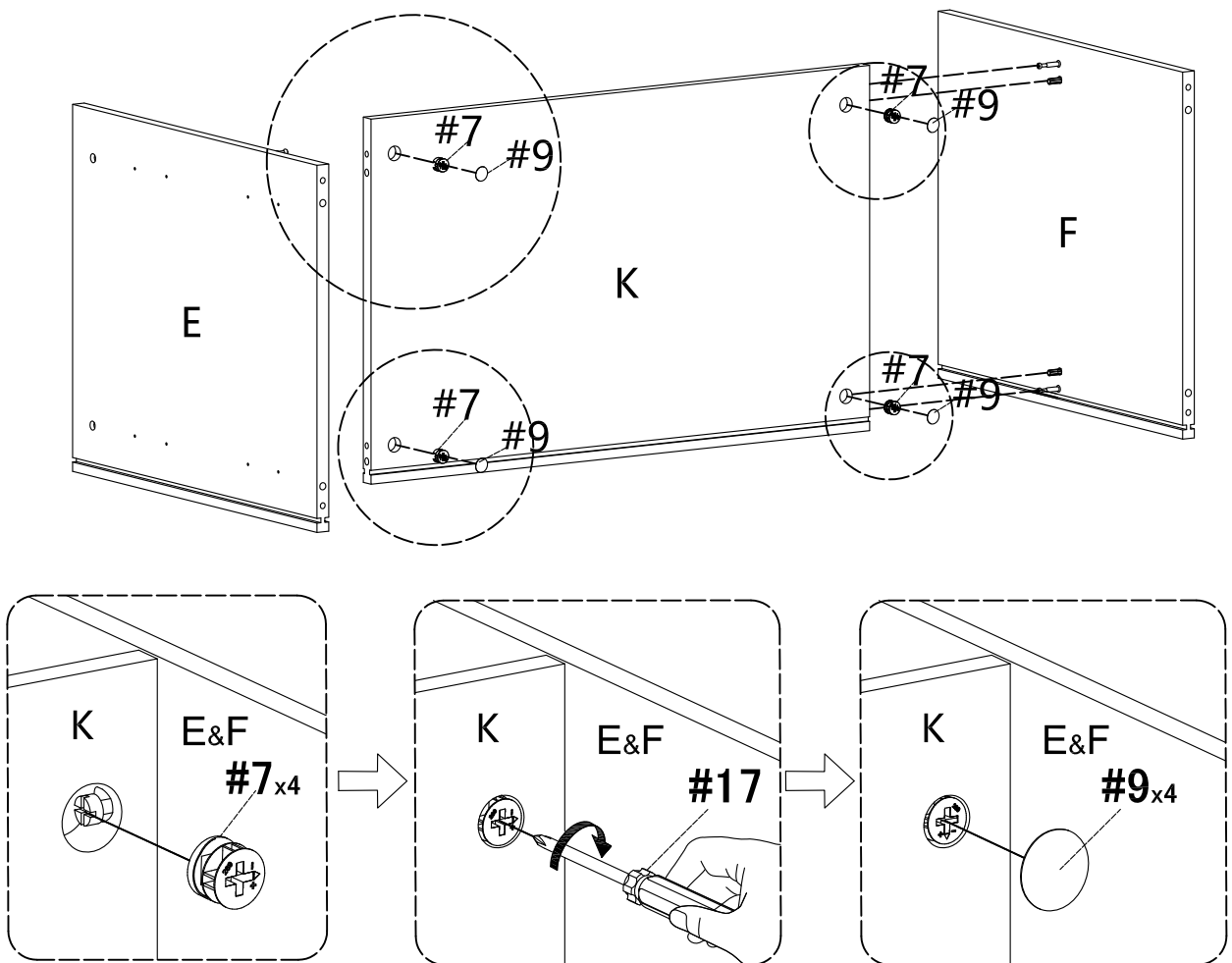


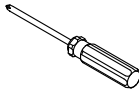
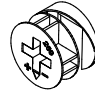

#17	x1	#2	x4	#8	x4
					
		φ6*35mm		φ8*30mm	

# ASSEMBLY INSTRUCTIONS

## STEP-3

Insert panel (K) into the corresponding hole of panel (E)&(F), and then insert cam bolt #7 into the corresponding hole of panel (K), tighten cam bolt #7 with screwdriver #17, finally stick paster #9 to it for look nice.

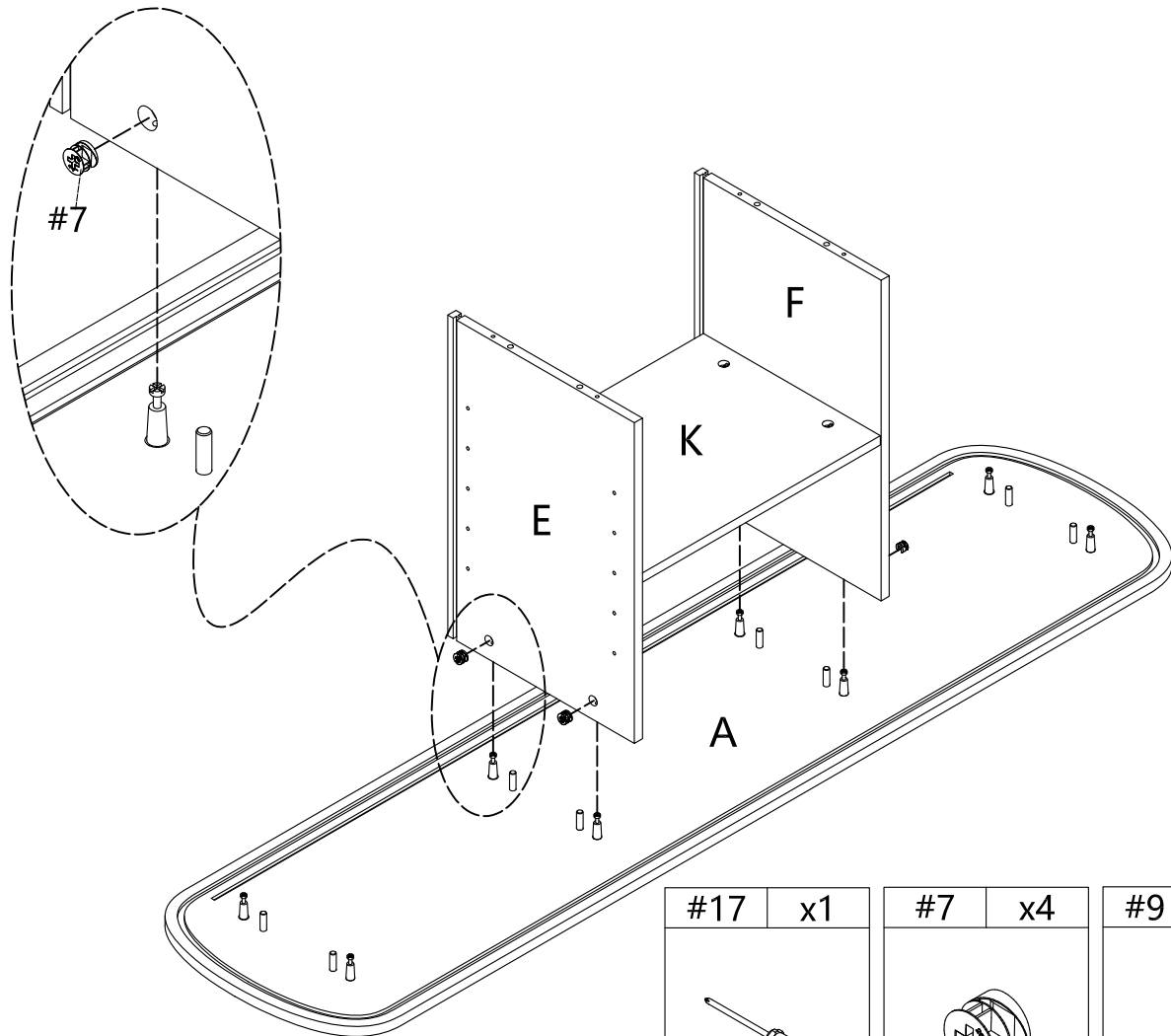
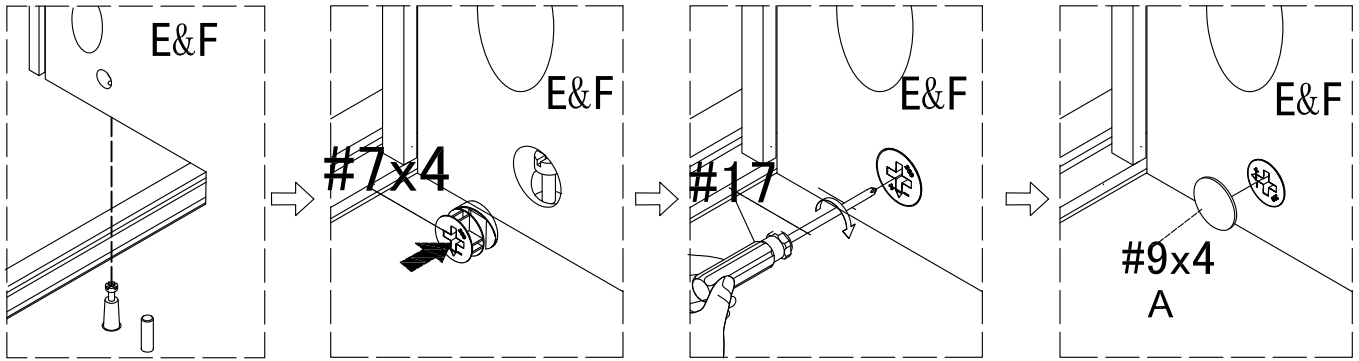


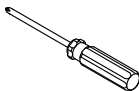


#17	x1	#7	x4	#9	x4
					
		Ø15*12mm			

# ASSEMBLY INSTRUCTIONS

## STEP-4

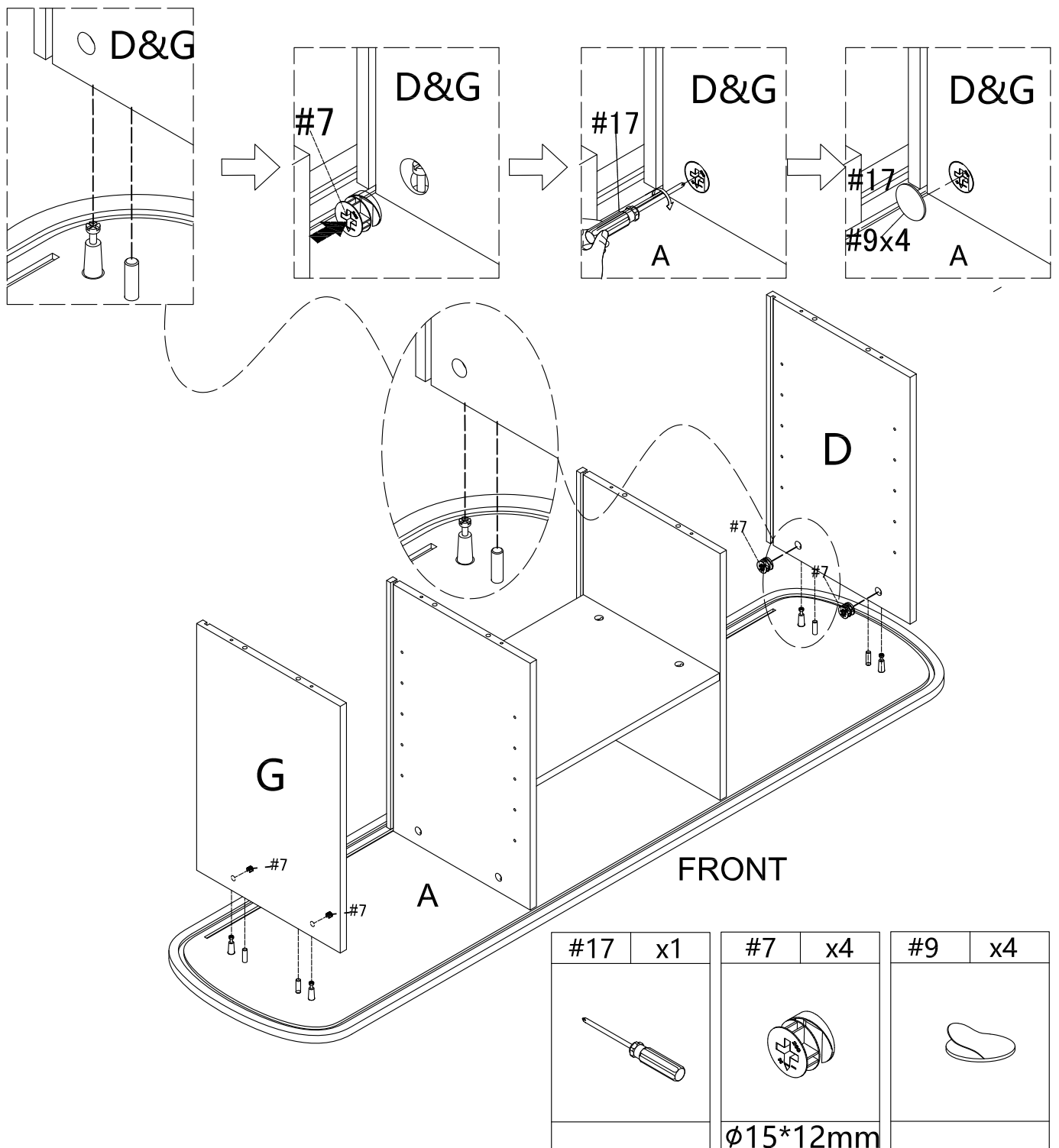
Insert preassemble step 3 into the corresponding hole of top panel(A), and then insert cam bolt #7 into the hole of panel(E)&(F), tighten cam bolt #7 with screwdriver #17.



#17	x1	#7	x4	#9	x4
					
		Ø15*12mm			

# ASSEMBLY INSTRUCTIONS

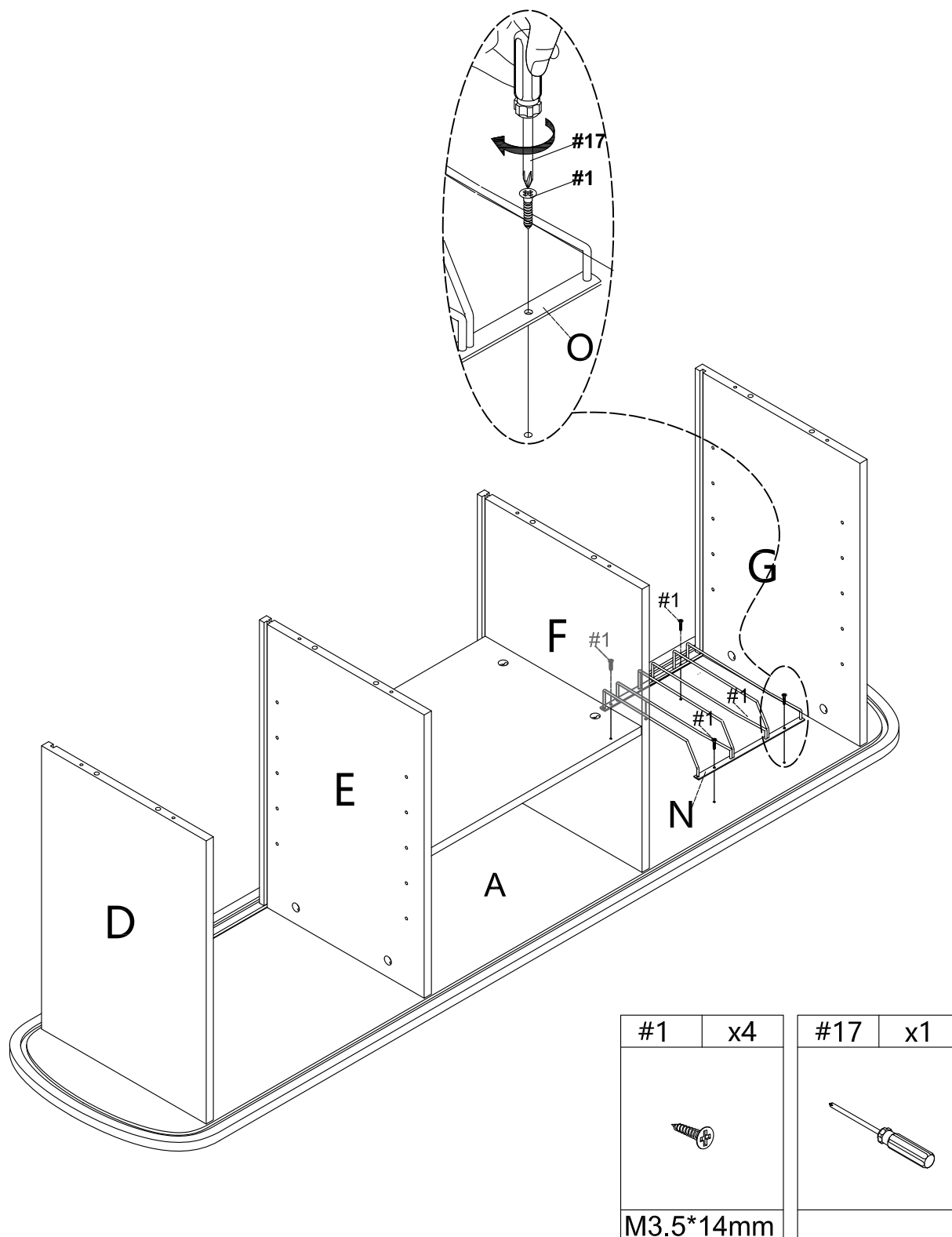
Insert side panel D)&(G) into the corresponding hole of top panel (A),and then insert cam bolt #7 into the corresponding hole of panel(D)&(G),tighten cam bolt #7 with screwdriver#17.



# ASSEMBLY INSTRUCTIONS

## STEP-7

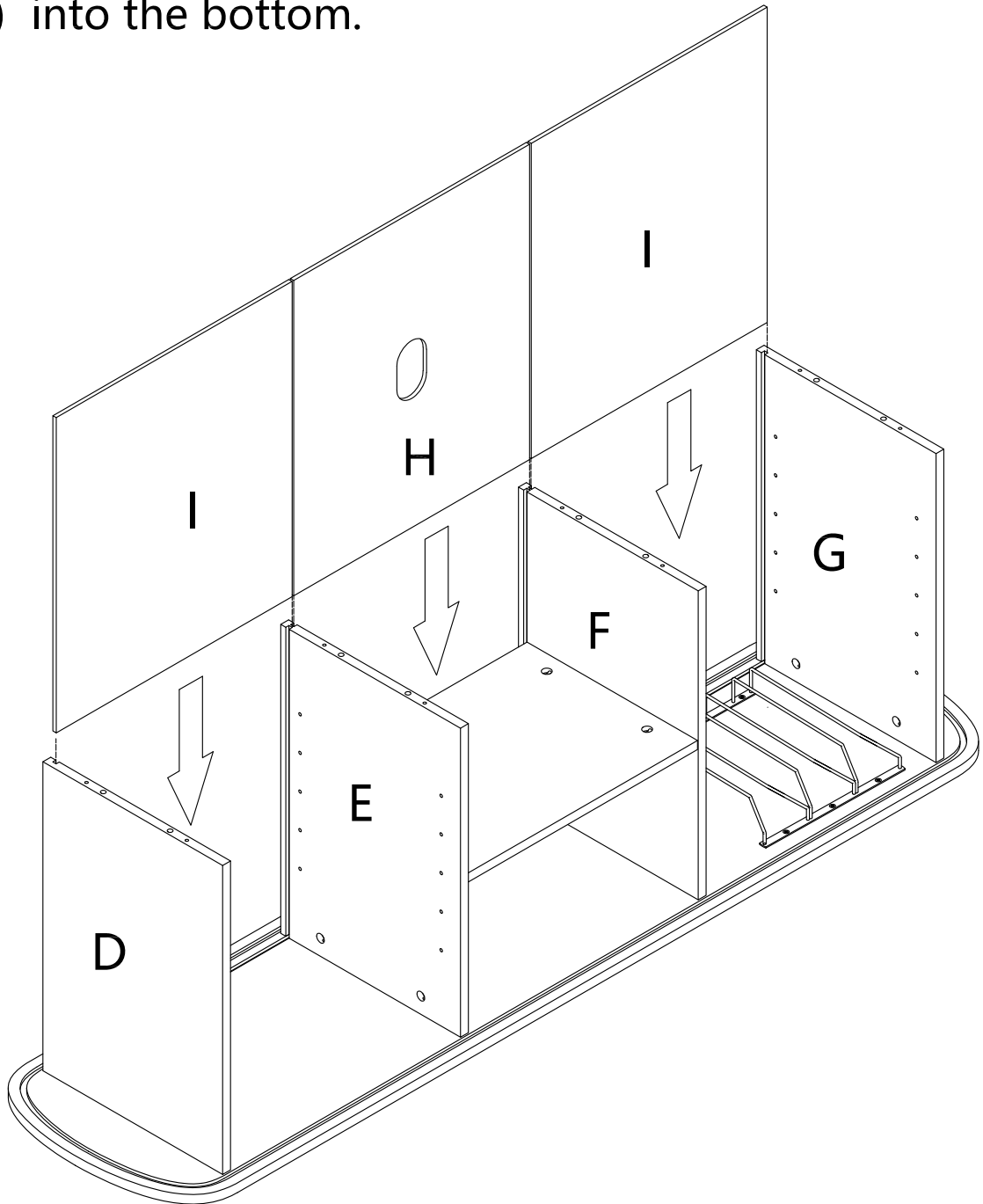
Use screw #1 to attach wine glass rack(N) to the corresponding hole of top panel(A), tighten screw #1 with screwdriver#17.



# ASSEMBLY INSTRUCTIONS

## STEP-8

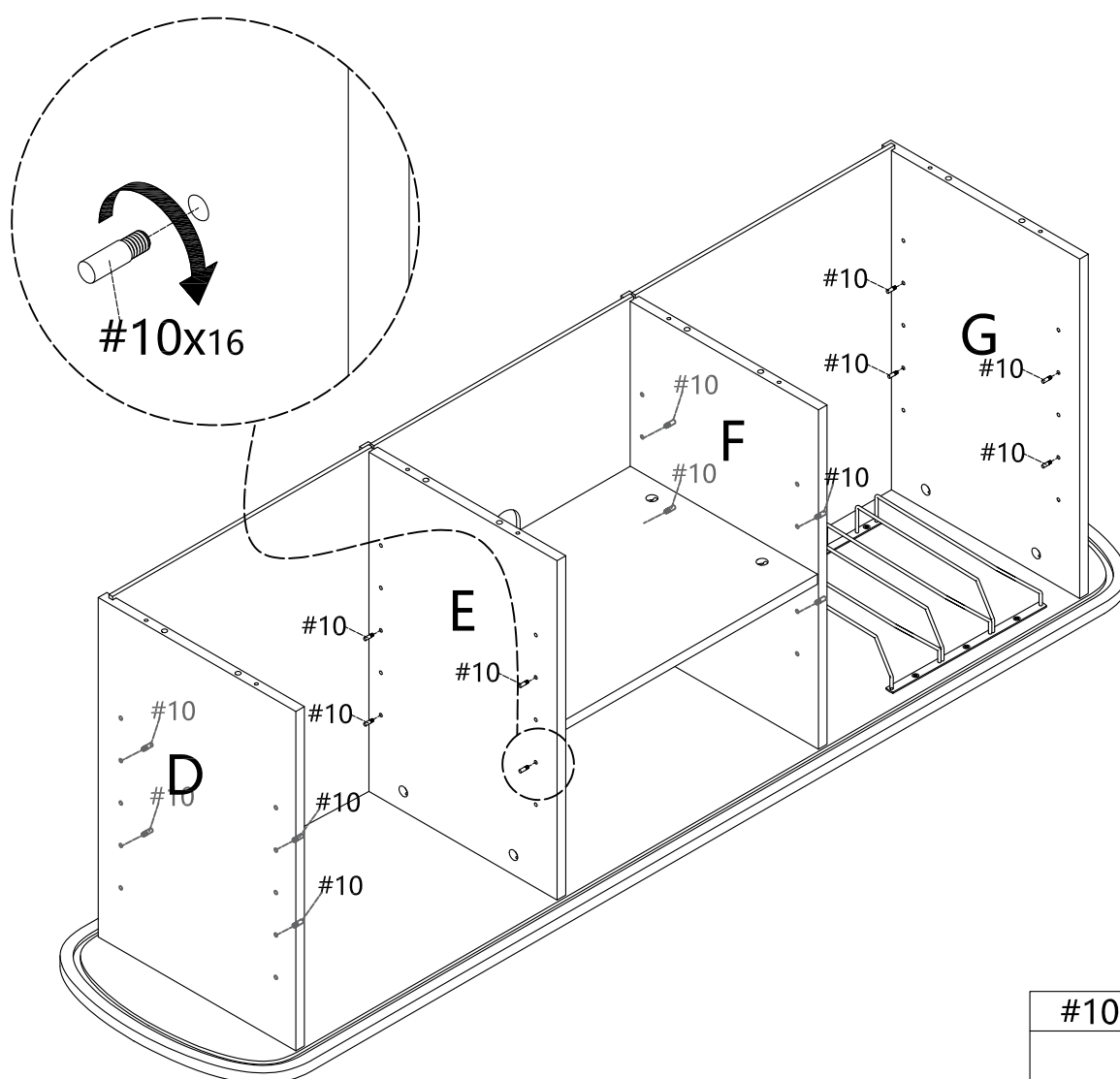
Carefully align and slide panel (I)&(H) into the groove along rear edge of pre-assemble unit at step 7,slide the panel (I)&(H) into the bottom.




# ASSEMBLY INSTRUCTIONS

## STEP-9

Screw shelf holder #10 into the corresponding hole of panel (D)&(E)&(F)&(G), Keep them on the same level.

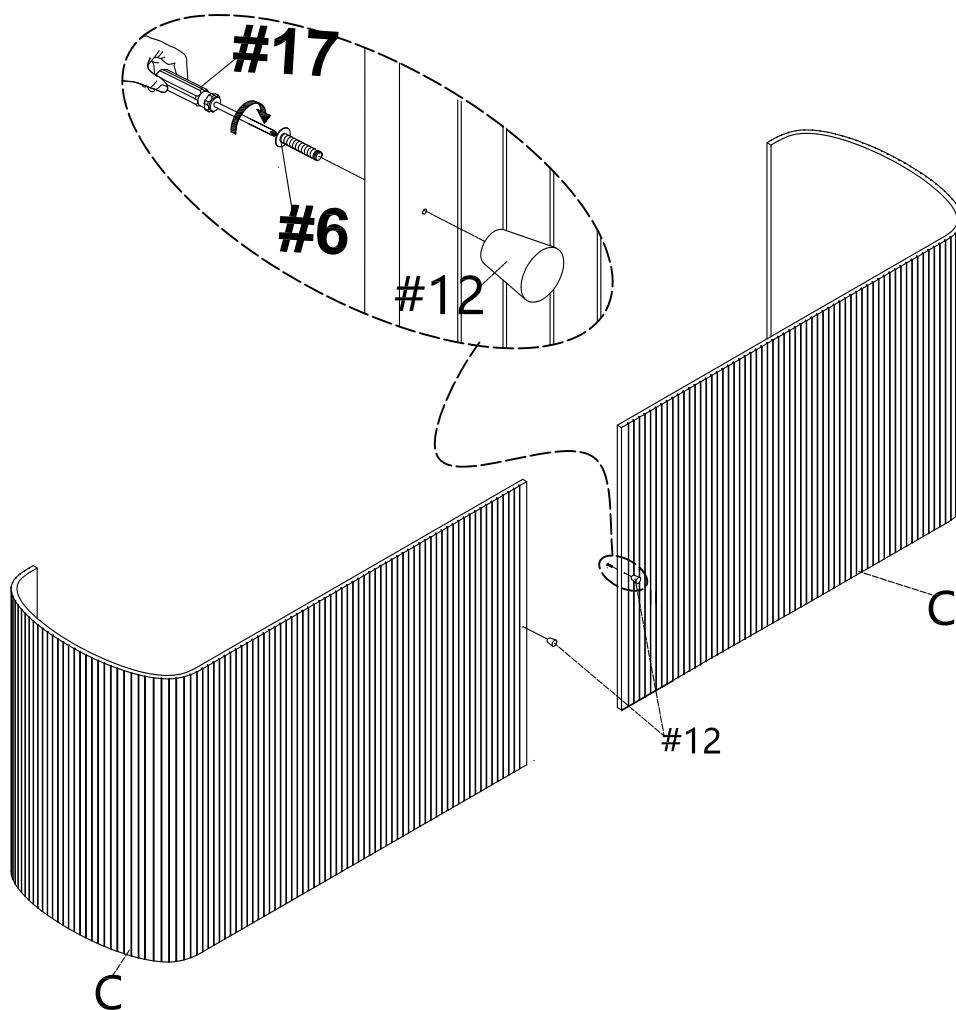



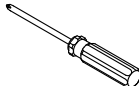

#10	x16
	

# ASSEMBLY INSTRUCTIONS

## STEP-10

Use screw #6 to attach handle #12 to the corresponding hole of door(C),tighten screw#6 with screwdriver#17.

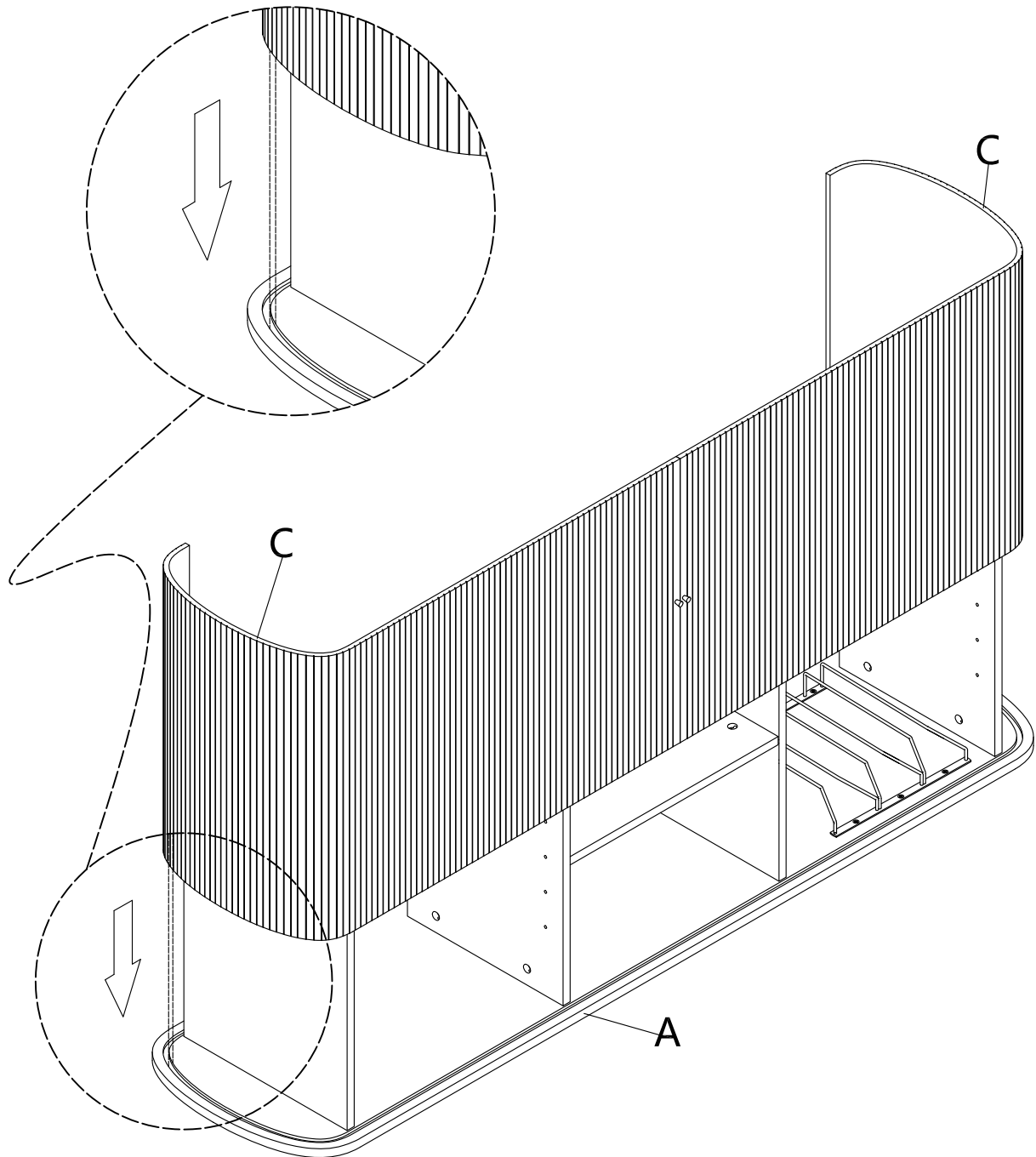


#12	x2	#17	x1	#6	x2
					
				M4*15	

# ASSEMBLY INSTRUCTIONS

## STEP-11

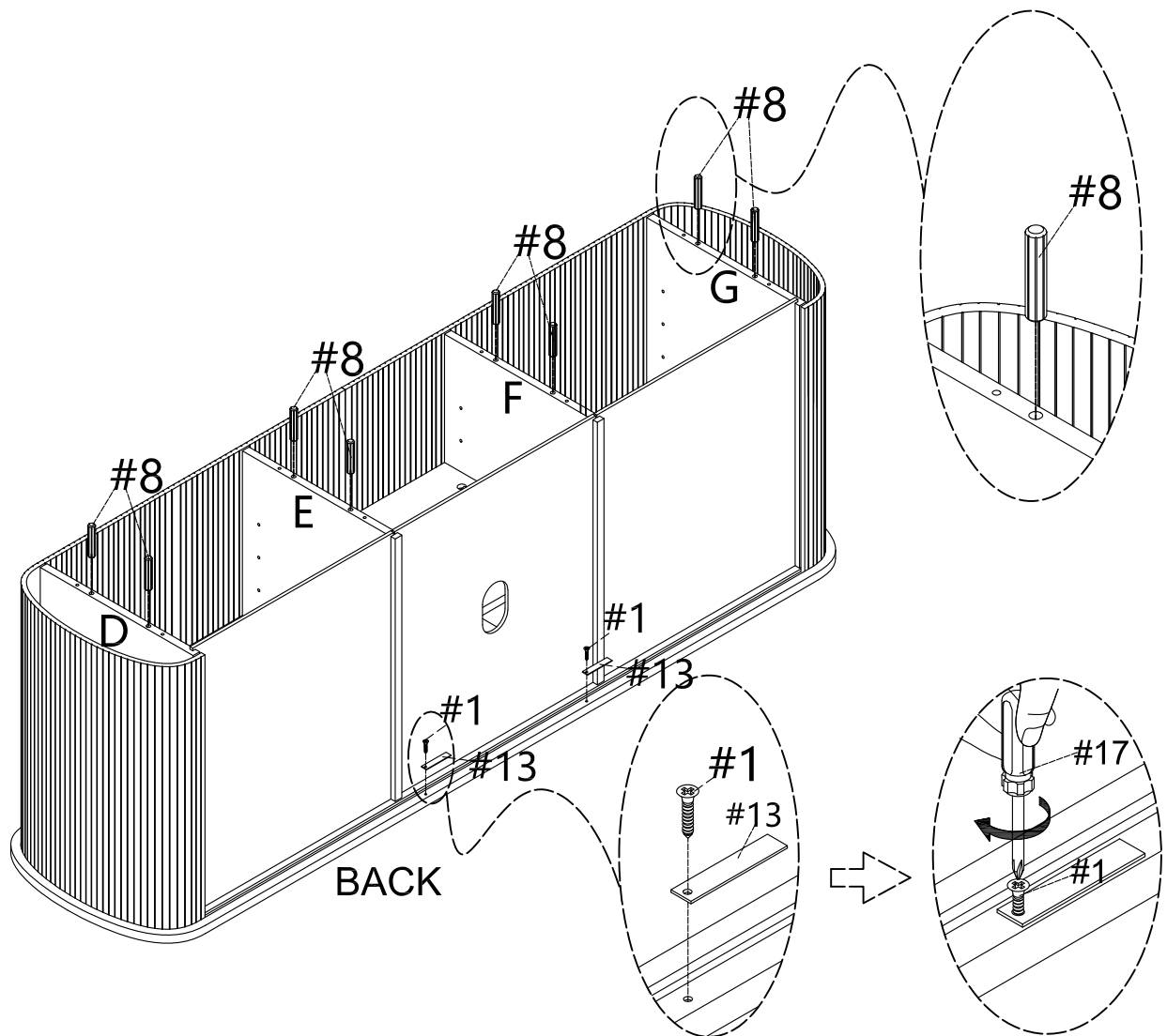
Insert door (C) into the groove along rear edge of pre-assemble top panel (A).

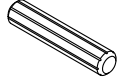
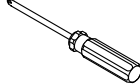




# ASSEMBLY INSTRUCTIONS

## STEP-12

Insert wooden dowel #8 into the corresponding hole of panel (D)&(E)&(F)&(G), and then use screw #1 to attach part #13 to top panel as picture show, tighten screw #1 with screwdriver #17.

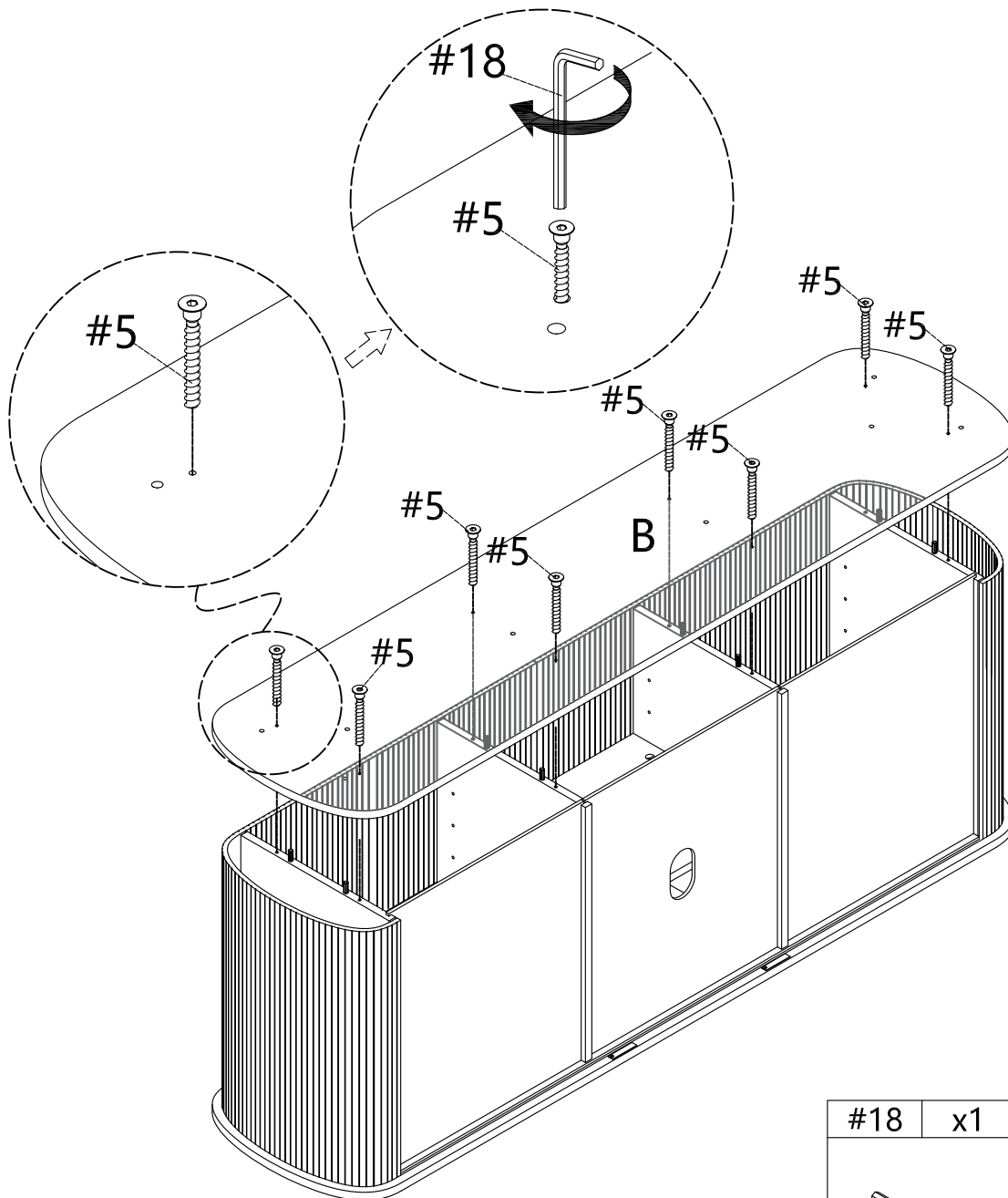


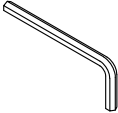
#8	x8	#17	x1	#13	x2	#1	x2
							
ø8*30mm						M3.5*14mm	


# ASSEMBLY INSTRUCTIONS

## STEP-13

Insert bottom panel (B) into the preassembly step 12, make sure all holes aligned, and then use bolt #5 to attach them, tighten bolt #5 with allen key #18.



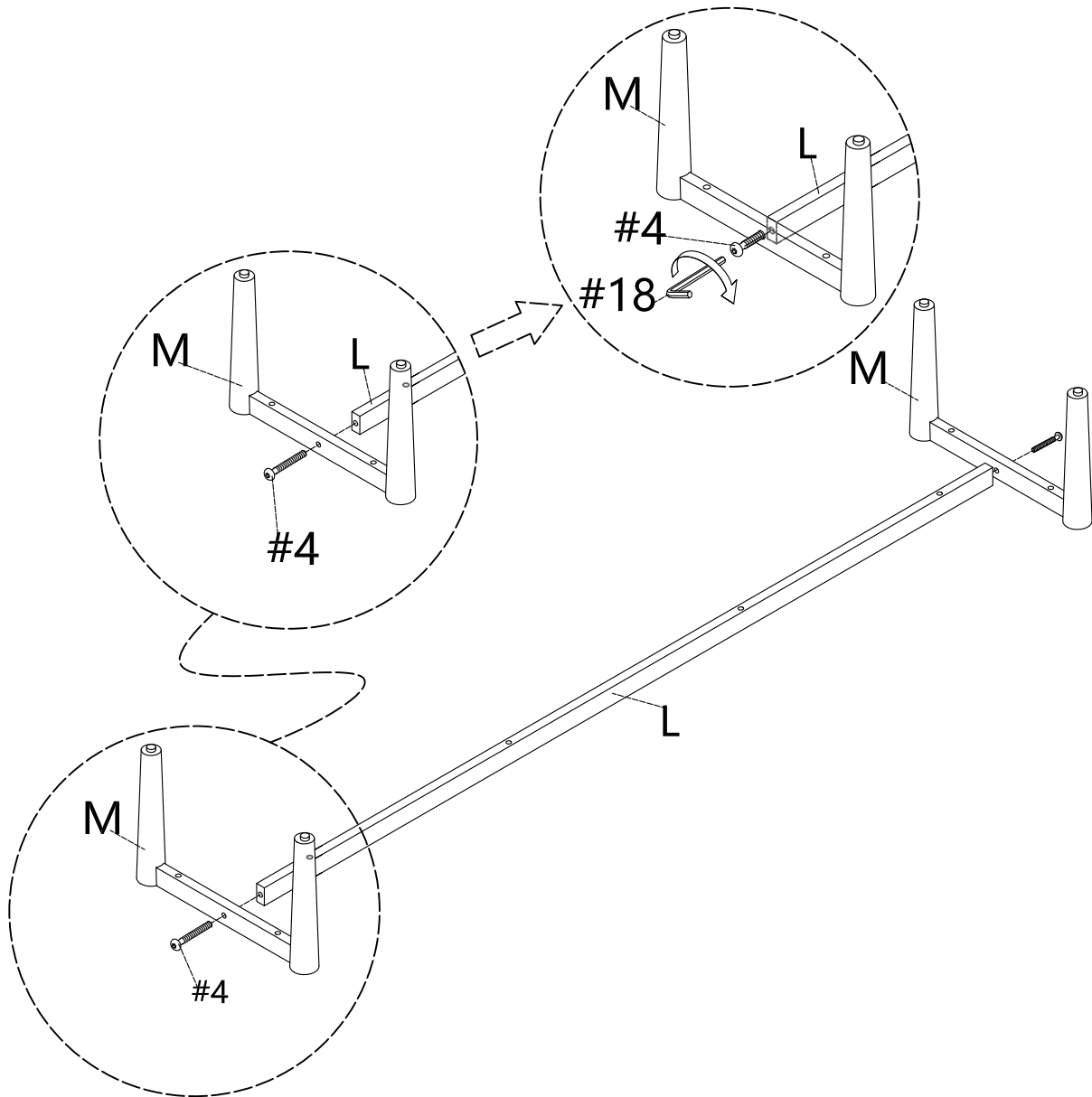
#18	x1
	
M4	



#5	x8
	
M7*40	

# ASSEMBLY INSTRUCTIONS

## STEP-14

Use bolt #4 to attach leg(L) to part (M), and then tighten bolt #4 with allen key #18.

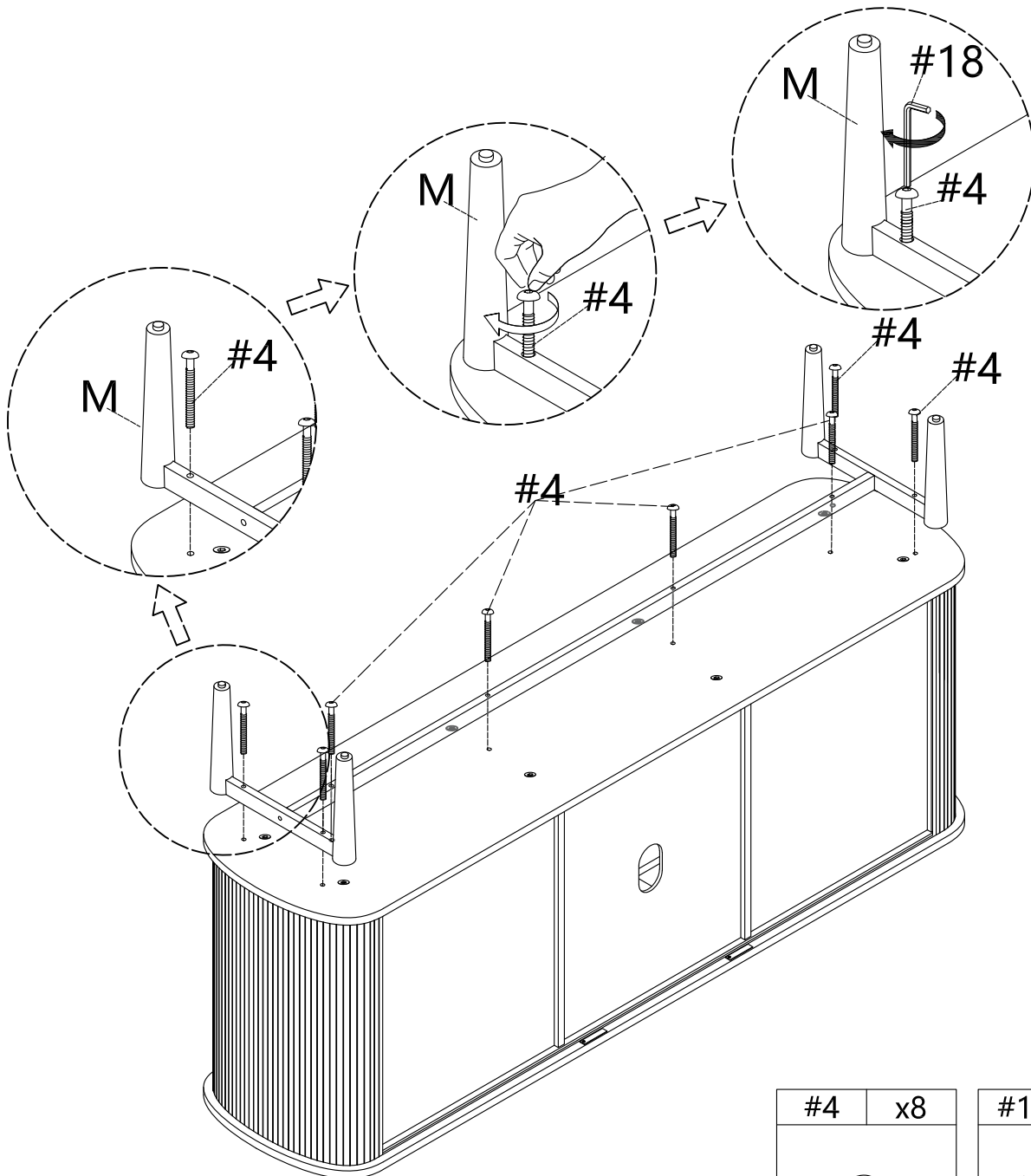


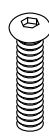
#4	x2	#18	x1
			
M6*40		M4	

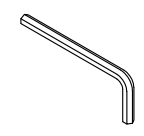
# ASSEMBLY INSTRUCTIONS

## STEP-15

Use bolt #4 to attach preassemble leg(M) to bottom panel (B),make sure all holes aligned and tighten bolt #4 with allen key#18.



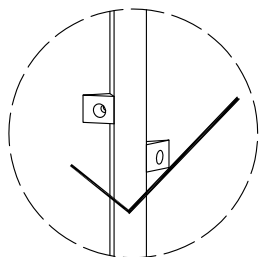
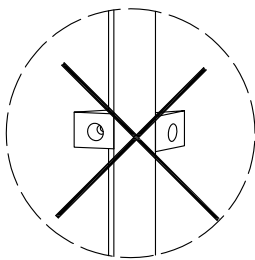
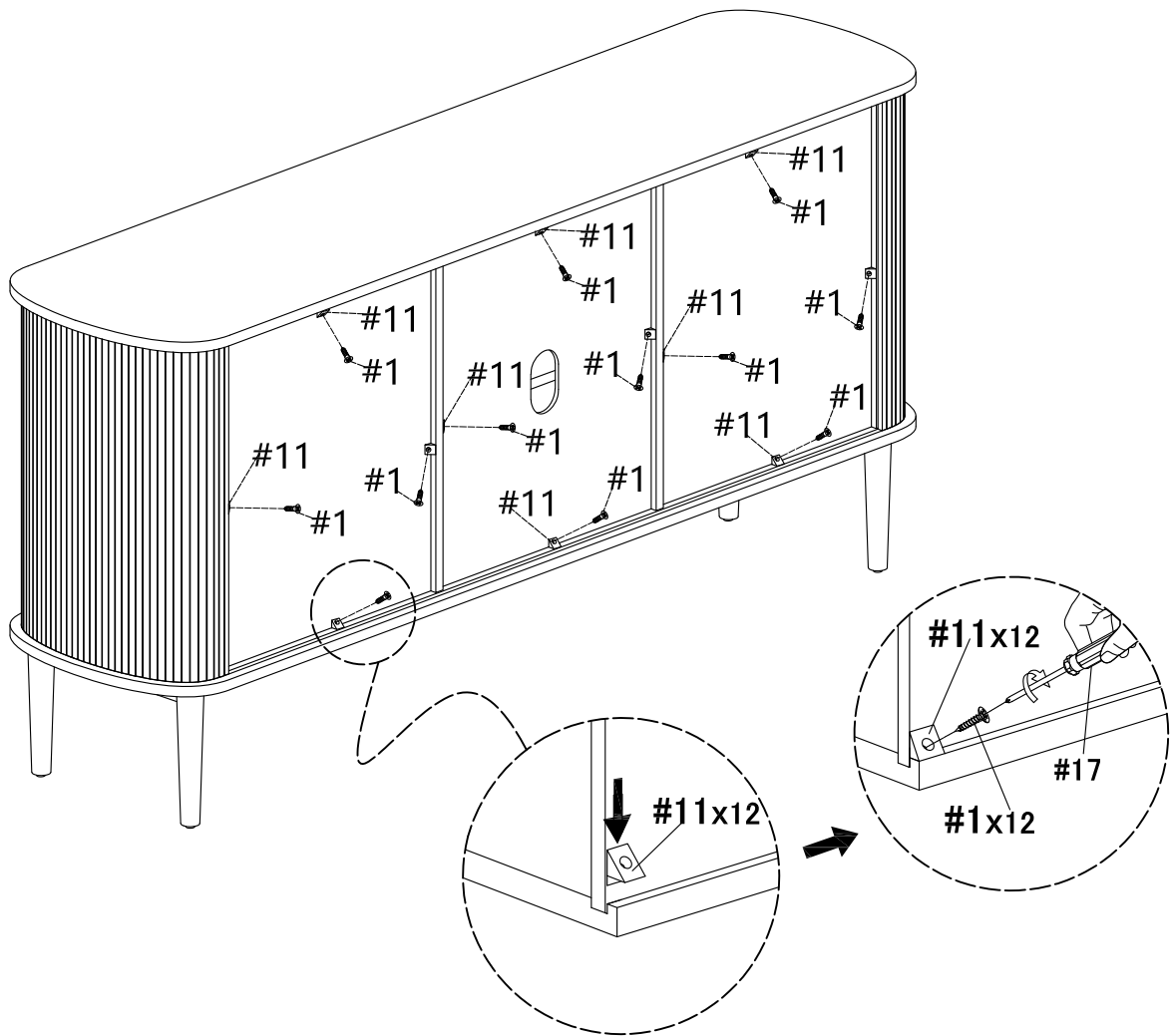
#4	x8
	
M6*40	

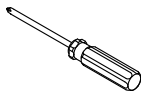
#18	x1
	
M4	


# ASSEMBLY INSTRUCTIONS

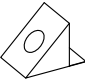
## STEP-16

Use screw#1 to attach part#11 to panel(A)&(B)&(D)&(E)&(F)&(G),tighten screw#1 with screwdriver#17.



#17	x1
	

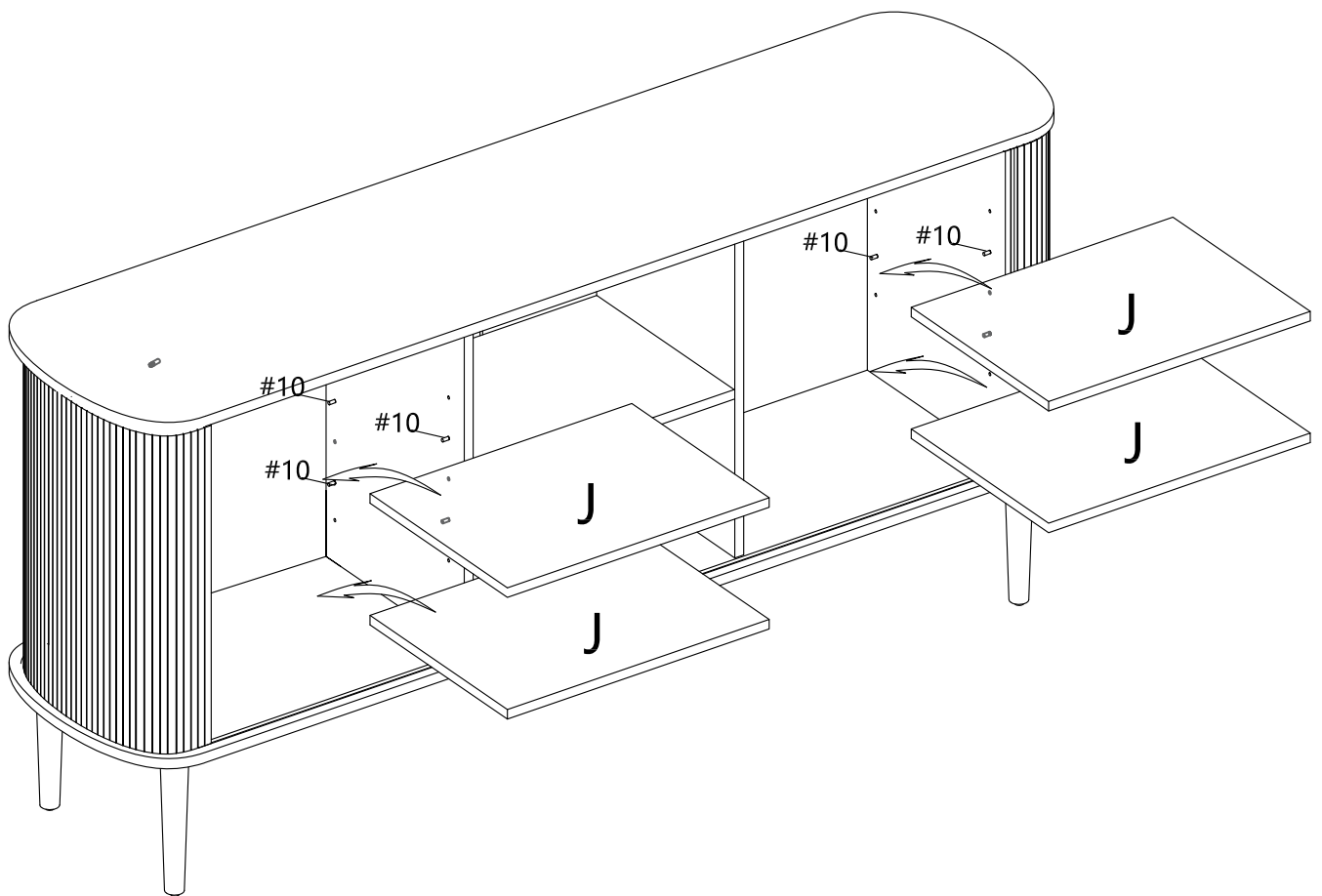
#1	x12
	
M3.5*14mm	

#11	x12
	

# ASSEMBLY INSTRUCTIONS

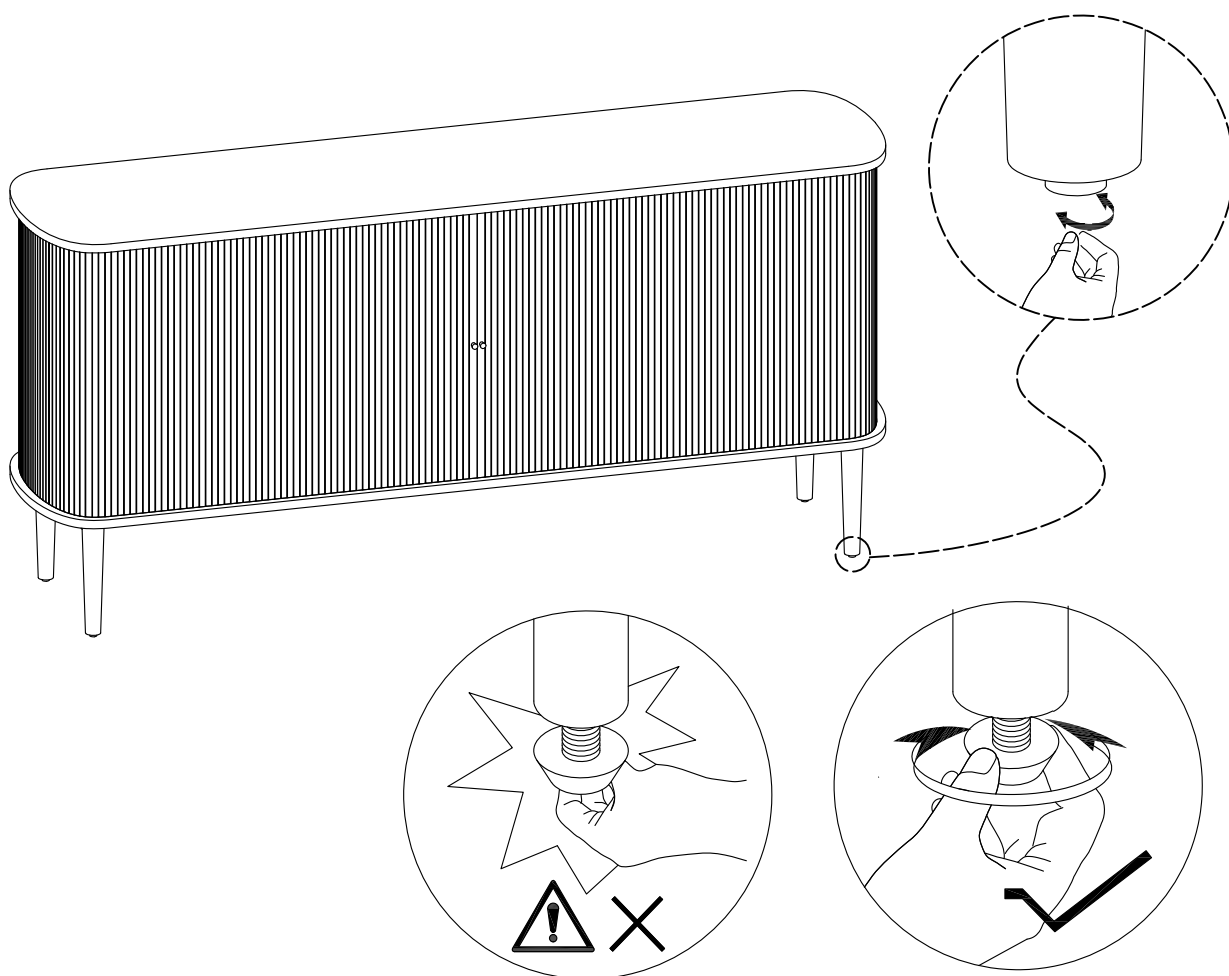
## STEP-17

Attach panel (J) to shelf holder #10.



# ASSEMBLY INSTRUCTIONS

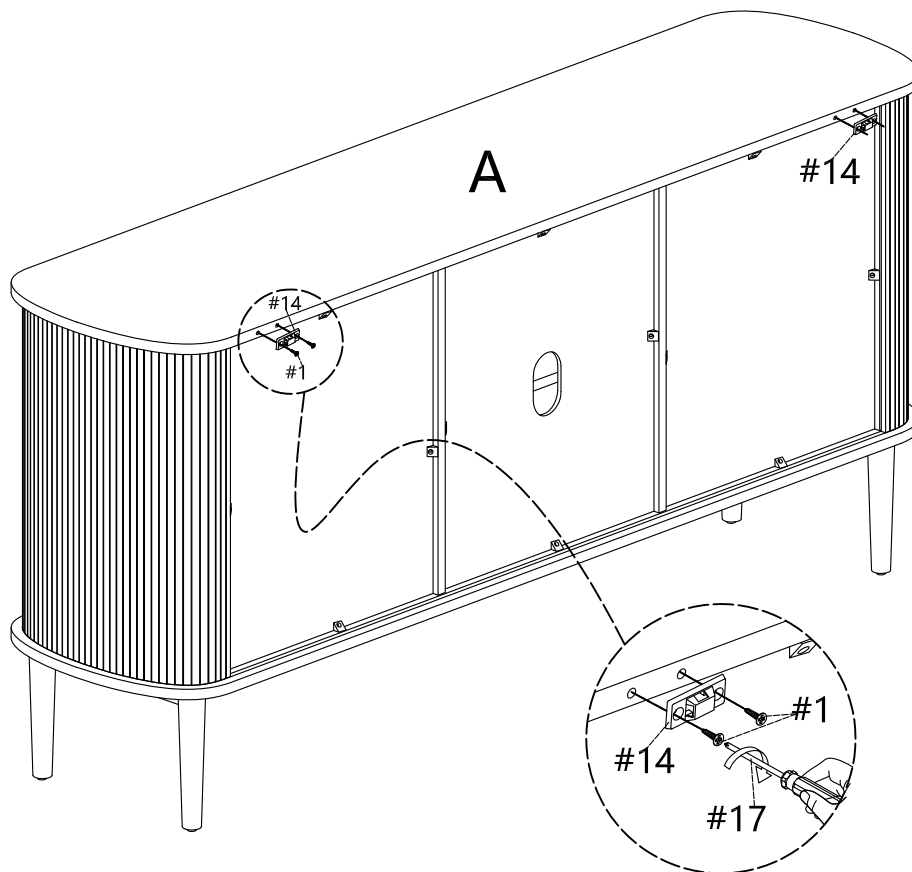
## STEP-18



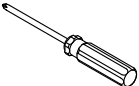



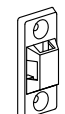

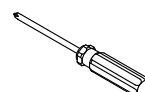
# ASSEMBLY INSTRUCTIONS

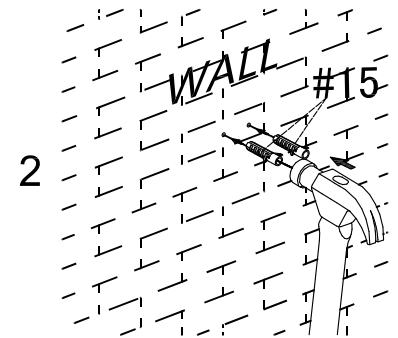
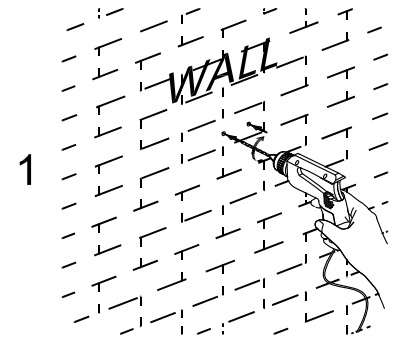
## STEP-19

Use screw #1 to attach plastic bracket #14 to panel (A), tighten screw #1 with screwdriver #17.

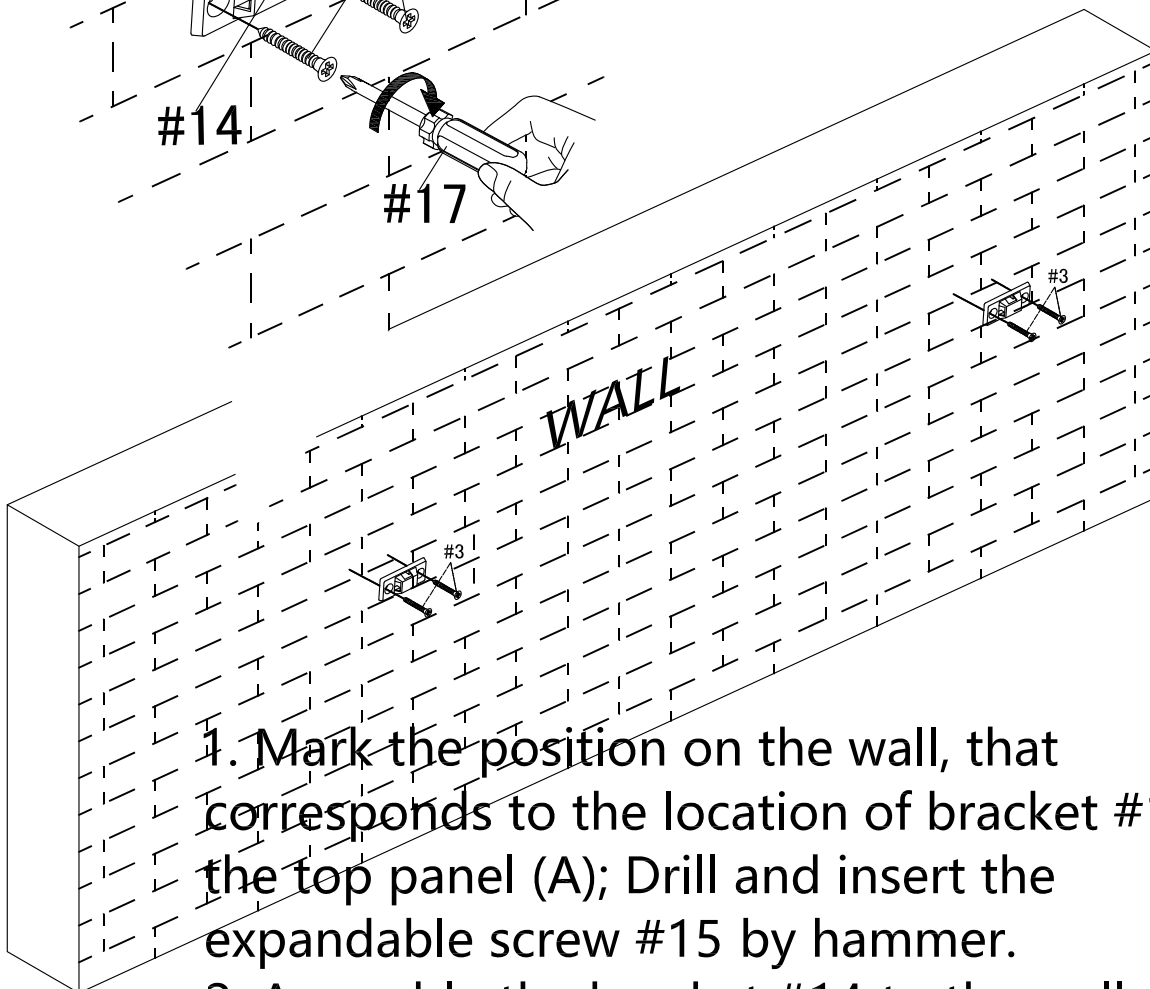
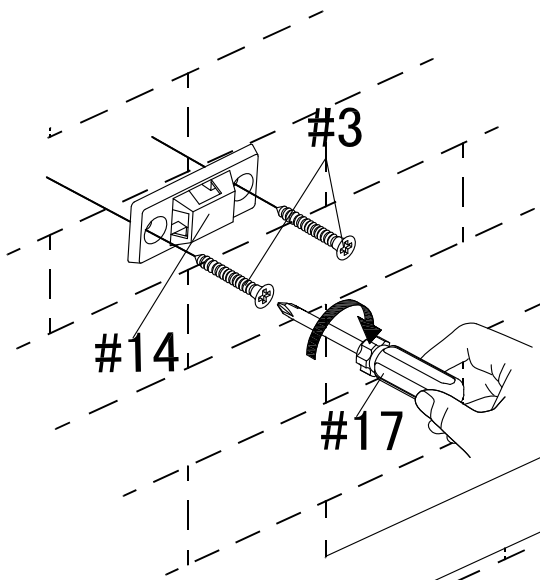


#1	x4	#14	x2	#17	x1
					
M3.5*14mm					

#3	x4	#14	x2	#15	x4	#17	x1
							
M4*35mm							



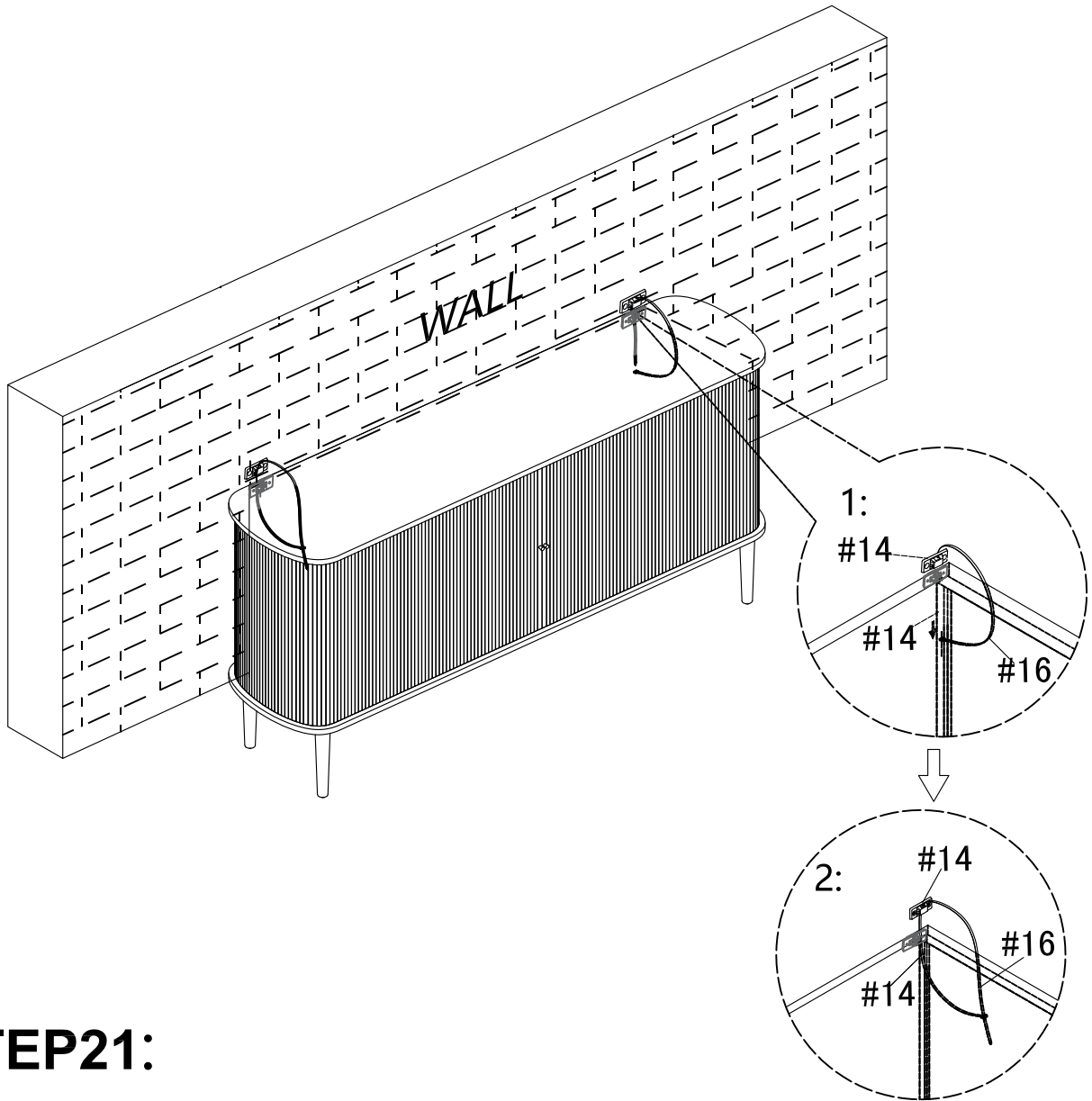
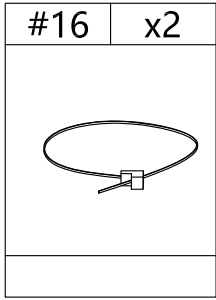
NOTPROVIDED



1. Mark the position on the wall, that corresponds to the location of bracket #14 on the top panel (A); Drill and insert the expandable screw #15 by hammer.

**STEP20:**

2. Assemble the bracket #14 to the wall. Align the hole in the bracket #14 with the expandable screw #15, use screw #7 to attach it, tighten screw #7 with screwdriver #17.



## STEP21:

3. Let the plastic belt #16 pass through bracket #14 and pull tightly

# WARRANTY

1. We strive to offer high-quality products, and we also try our best to satisfy each and every customer that orders from us with product or service as needed.
2. We provide 30 days warranty starting from the time you receive the item. Each customer must provide a record of their order such as the order number, or item receipt for any items that are out of the warranty period you may also still receive.
3. Replacement parts by purchasing them with our company if they are available.

Are you having difficulty  
With assembly? Missing parts?  
Please send email with your order No to

For return, please check the return policy with  
the retailer or market place you bought from.

Appreciate your purchasing from us.  
Pop up your life by our furniture piece!