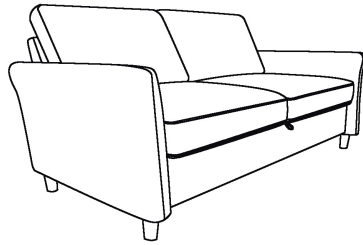
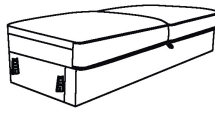
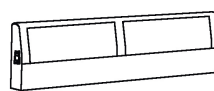
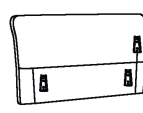
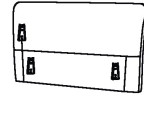




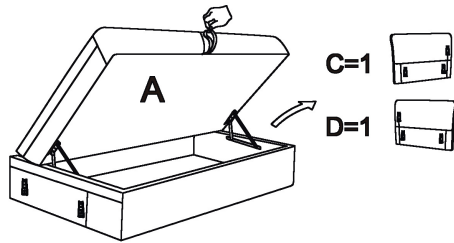
ASSEMBLY I NSTRUCT I ON



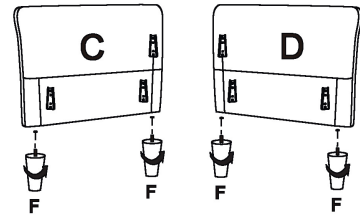
PARTS LIST

 <p>A 1</p>	 <p>B 1</p>	 <p>C 1</p>
 <p>D 1</p>	 <p>E 2</p>	 <p>F 4</p>

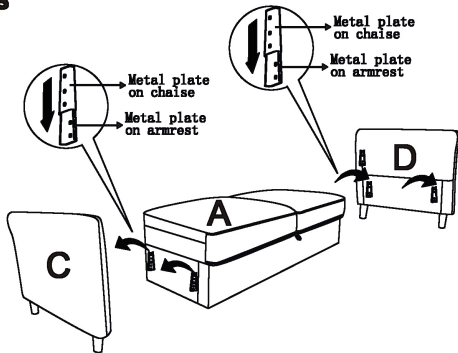
Step-1



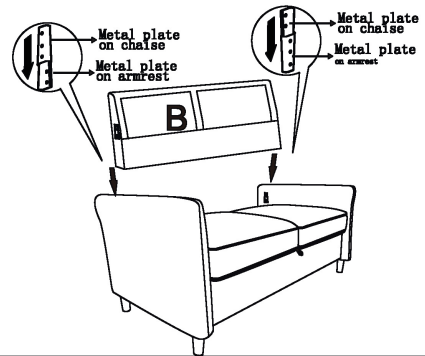
Step-2



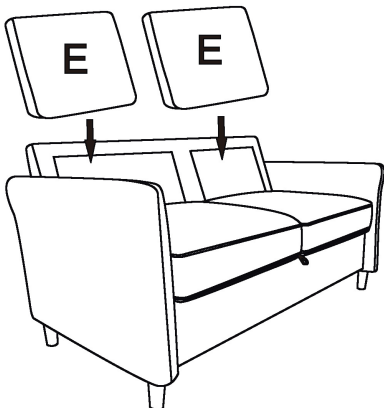
Step-3



Step-4



Step-5



Step-6

