
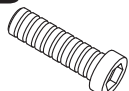
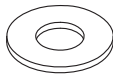
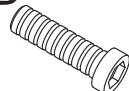
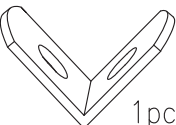
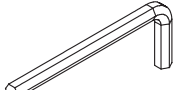
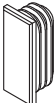


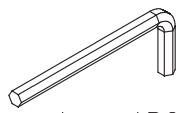

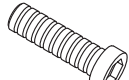

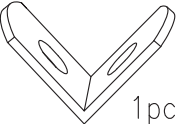

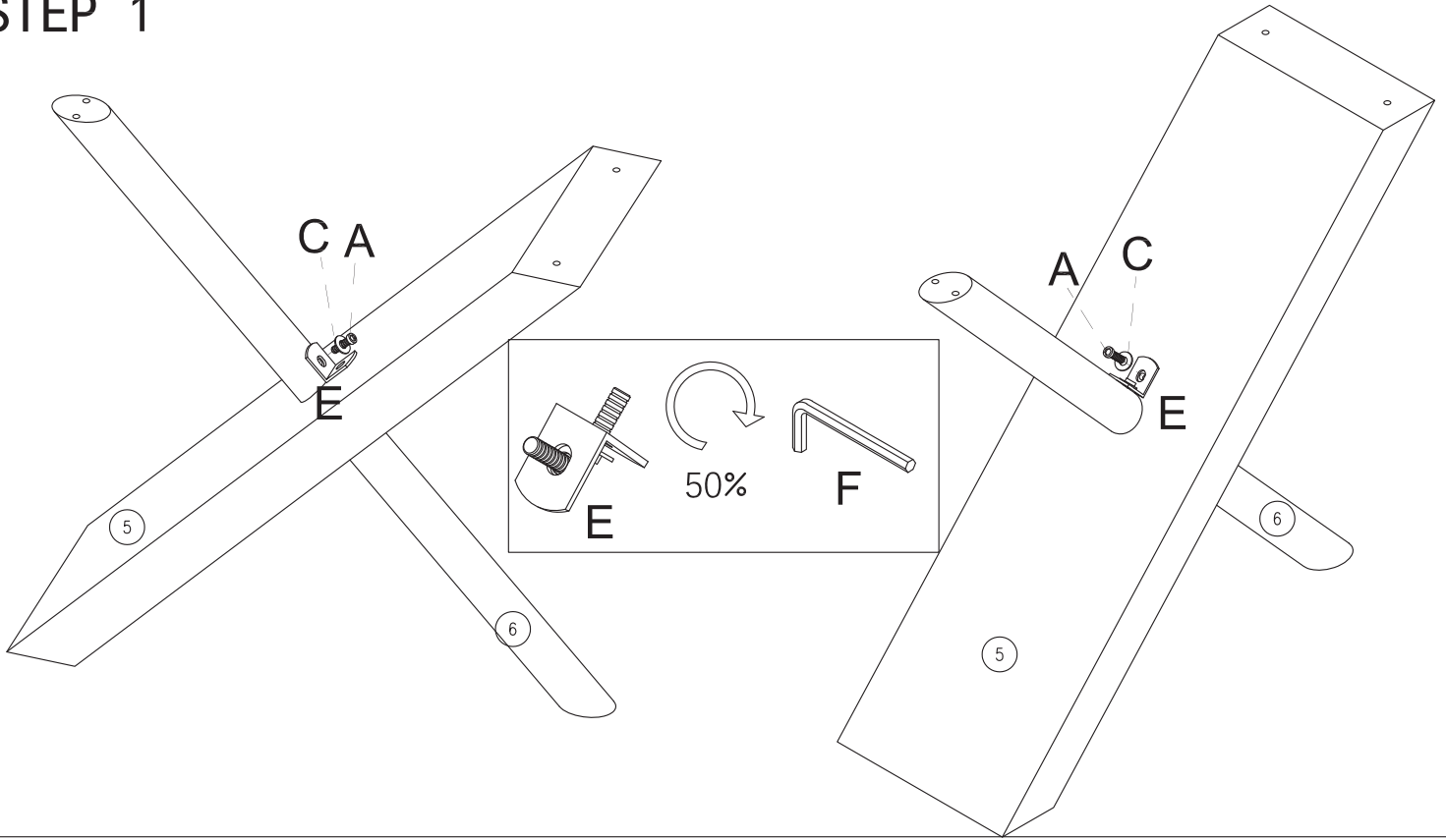


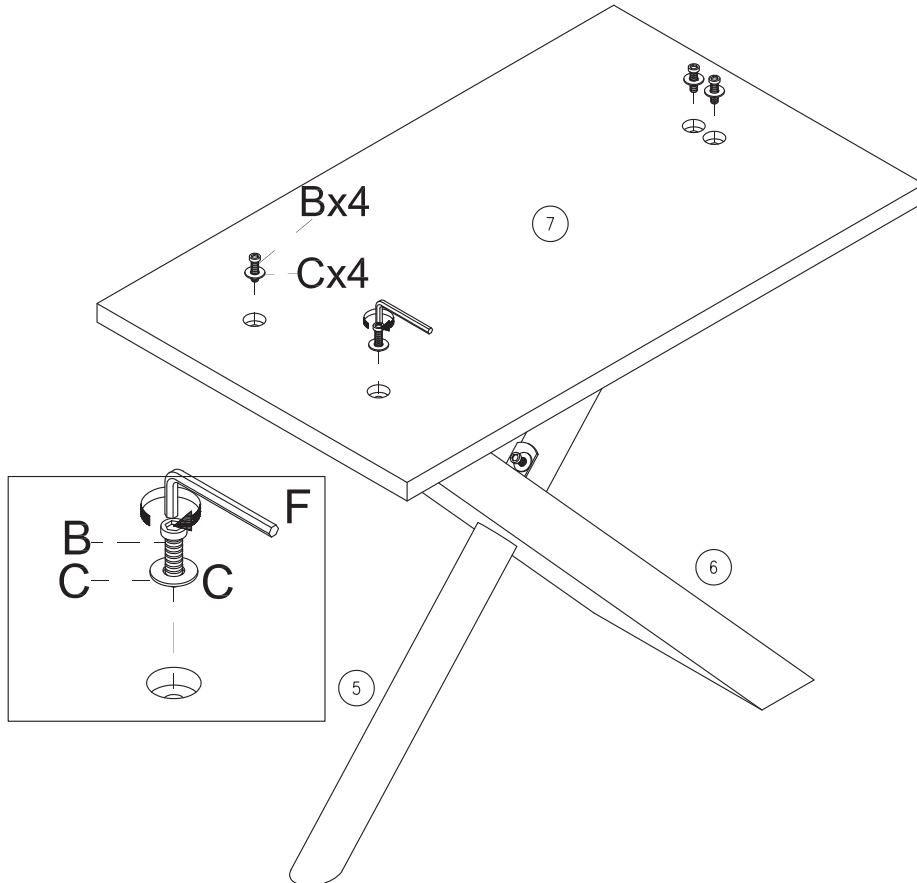
<p>A</p>  <p>8*20mm 2pcs</p>	<p>B</p>  <p>8*35 mm 8pcs</p>	<p>C</p>  <p>10pcs</p>	<p>D</p>  <p>6*12mm 16pcs</p>	<p>E</p>  <p>1pc</p>	<p>F</p>  <p>5mm 1PC</p>	<p>H</p>  <p>2pcs</p>	<p>M</p>  <p>4pcs</p>
<p>N</p>  <p>∅3.5*12mm 16pcs</p>	<p>G</p>  <p>4mm 1PC</p>						

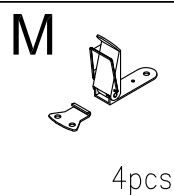
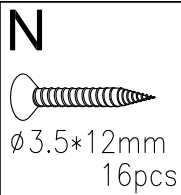
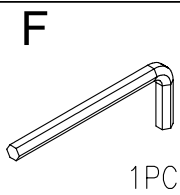
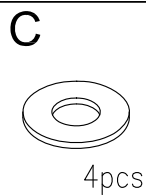
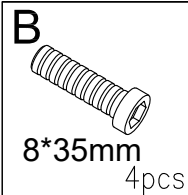
A  8*20mm 2pcs	B  8*35mm 4pcs	C  6pcs	E  1pc	F  5mm 1PC
--	--	---	--	--

STEP 1

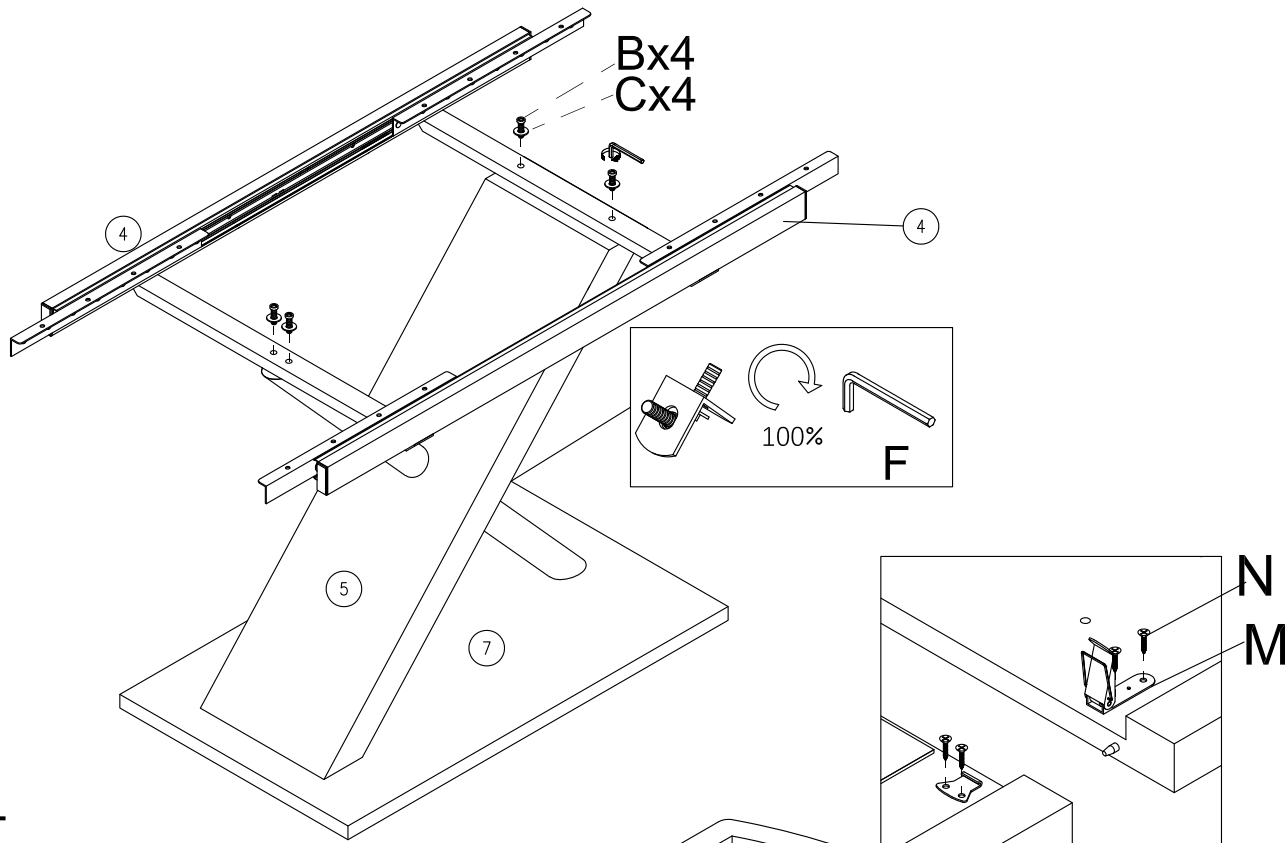


STEP 2

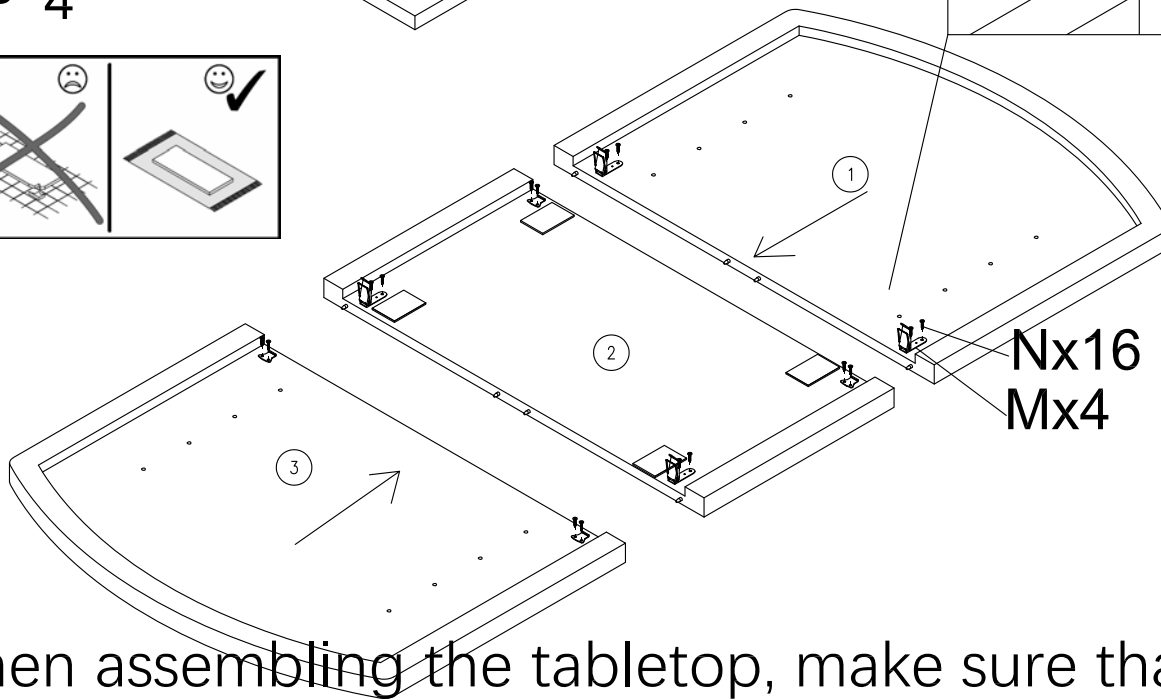
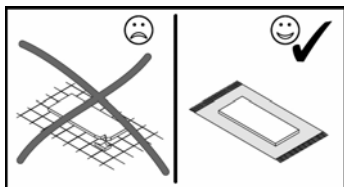




STEP 3



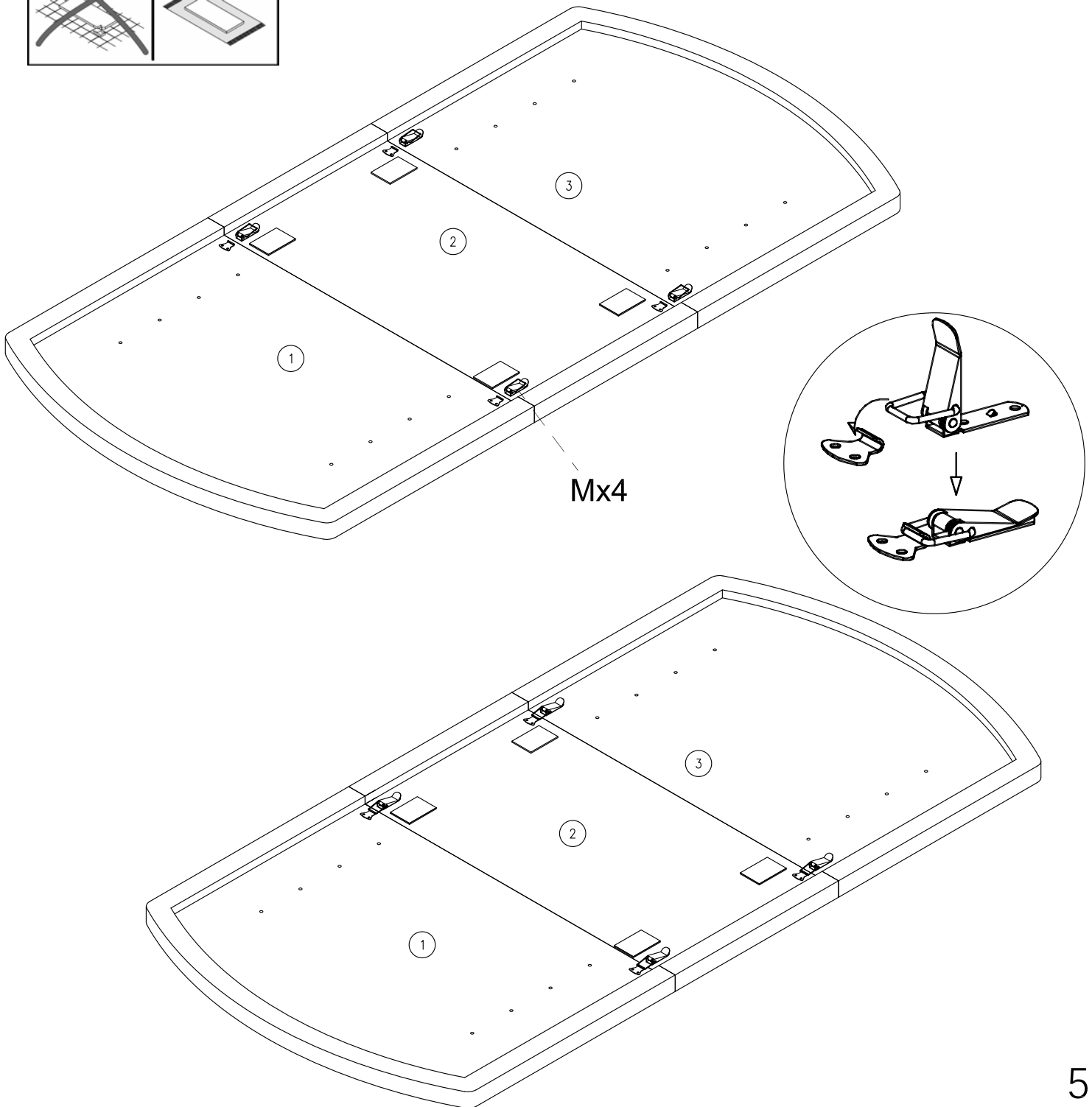
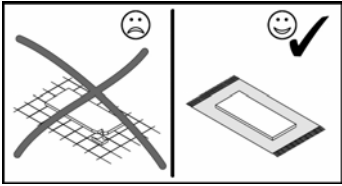
STEP 4

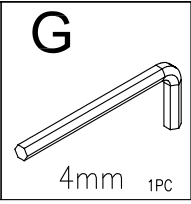
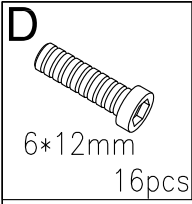


When assembling the tabletop, make sure that the area that touches the front of the tabletop is clean and free of debris that could scratch the tabletop. If possible, use a clean, soft cloth to cushion the front of the tabletop.

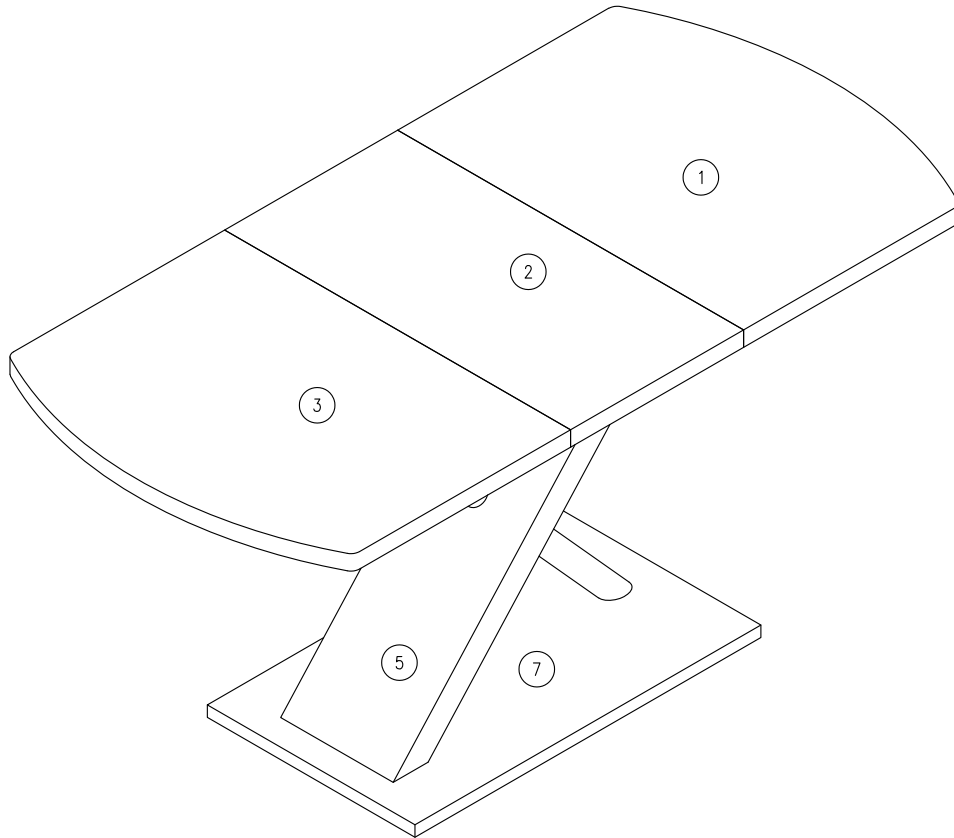
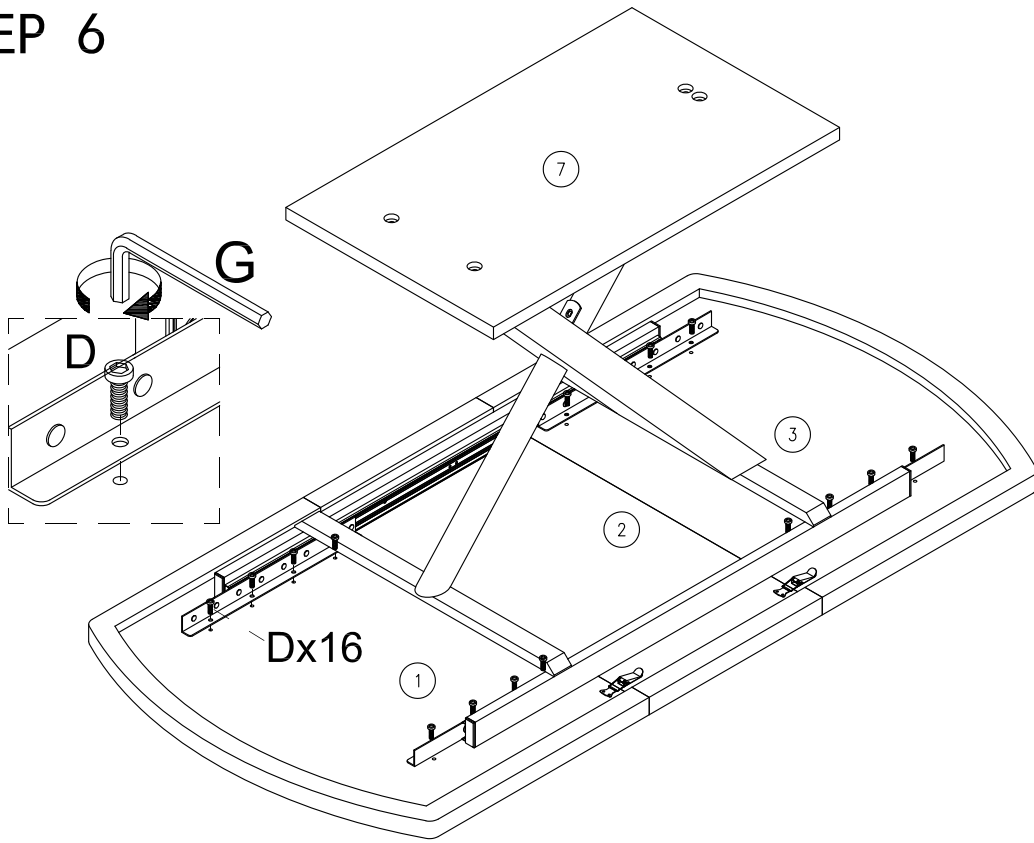
STEP 5

When assembling the tabletop, make sure that the area that touches the front of the tabletop is clean and free of debris that could scratch the tabletop. If possible, use a clean, soft cloth to cushion the front of the tabletop.

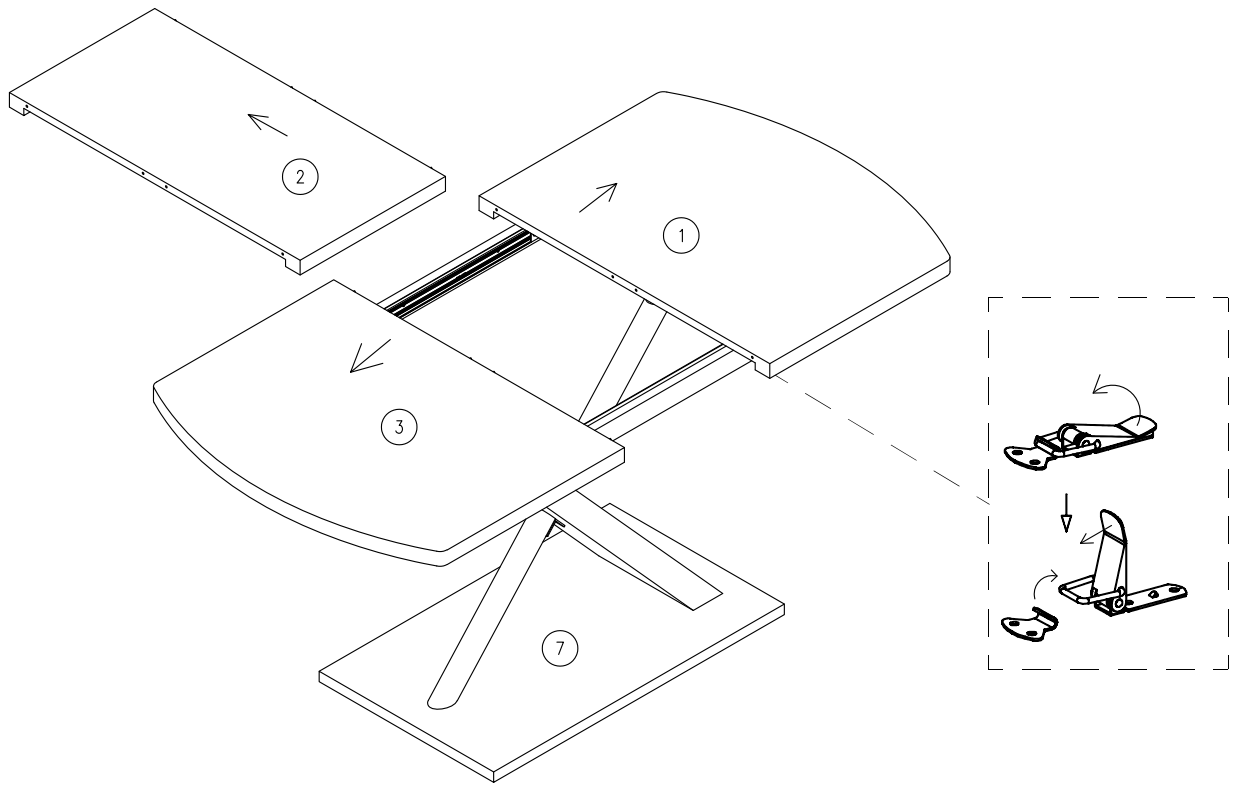




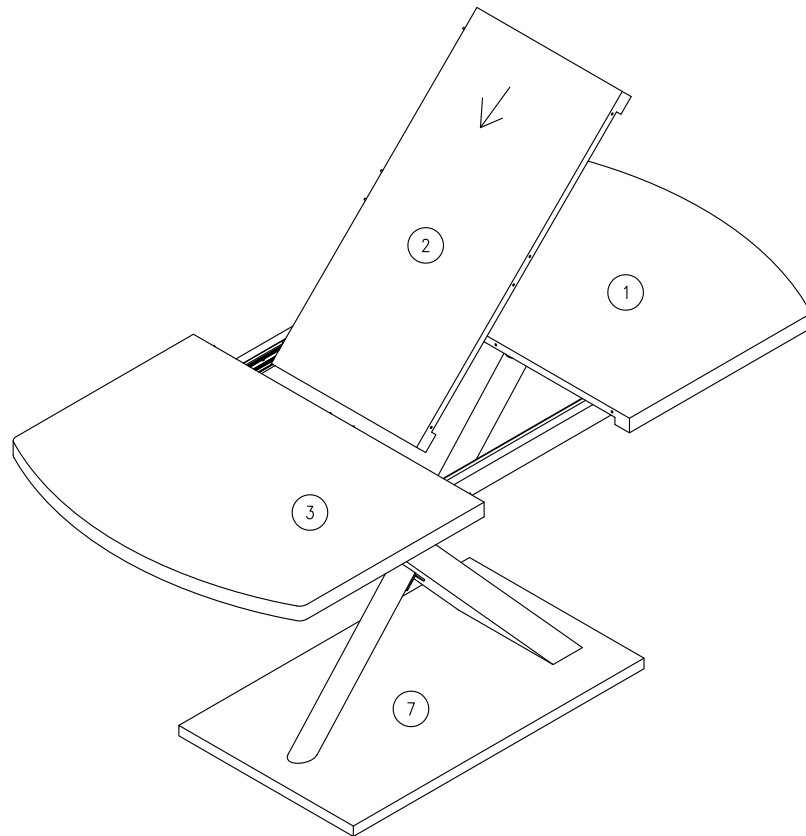
STEP 6



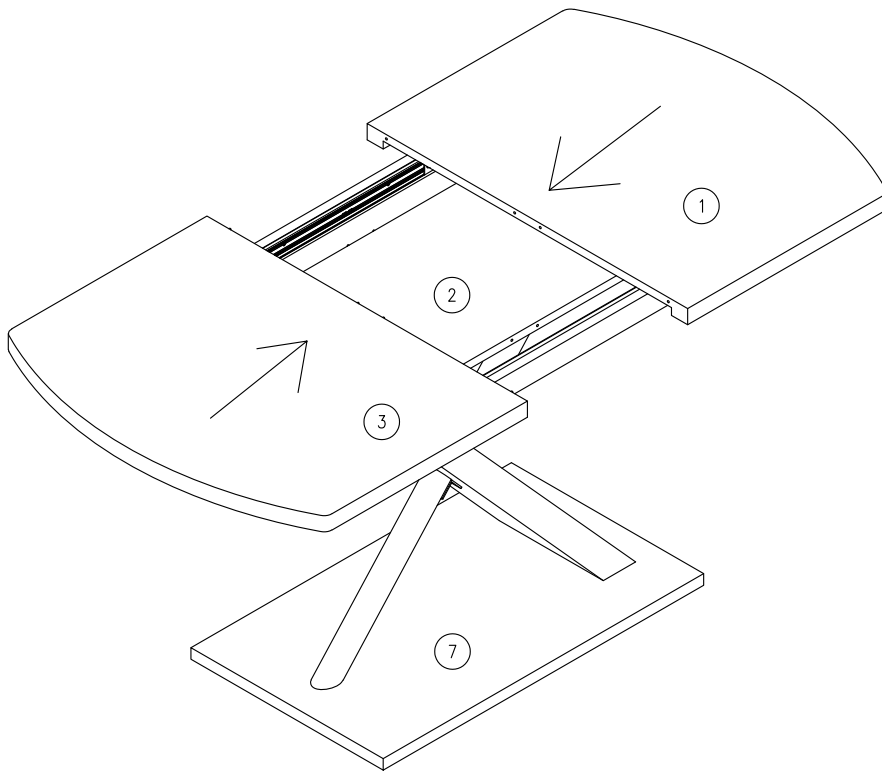
STEP 7



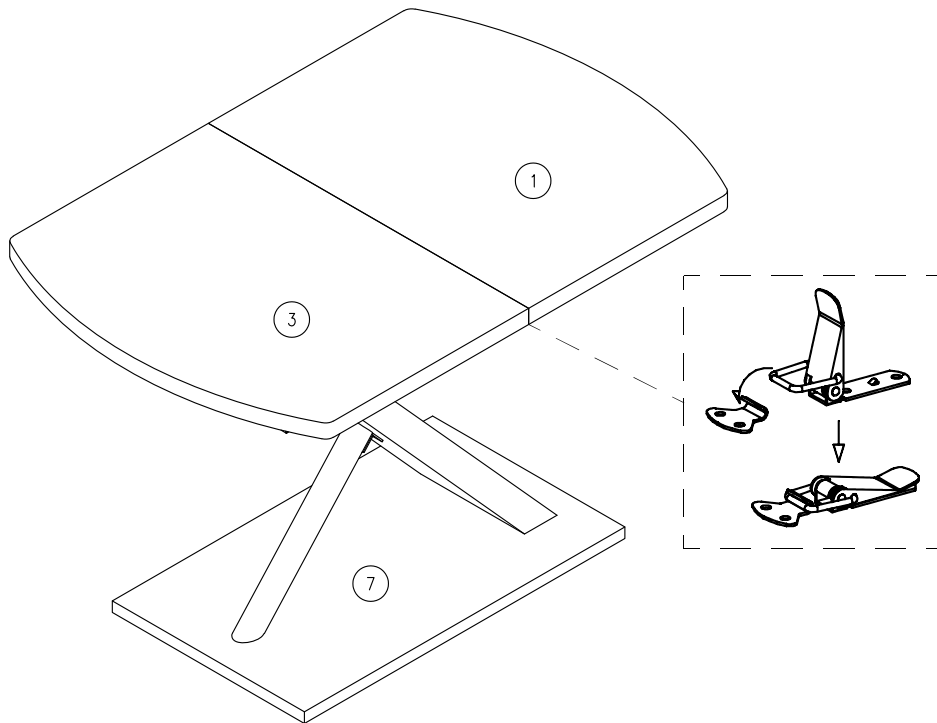
STEP 8

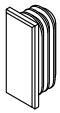


STEP 9

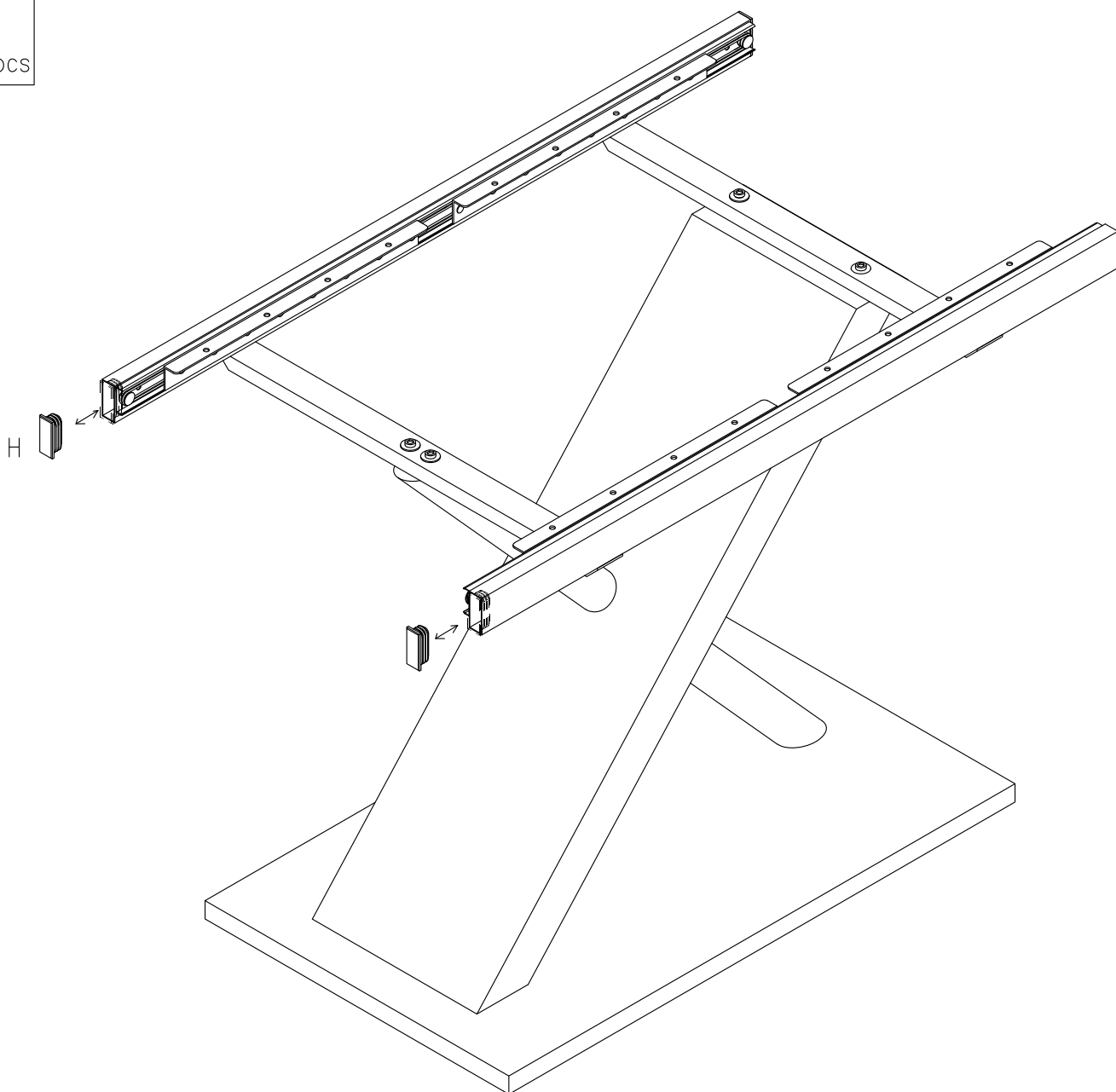


STEP 10



H

2pcs



Accessory H is already assembled, but in case of wear and tear of the accessory H during future use or damage during transportation, we have provided 2 additional accessory H for our customers to use as spares.