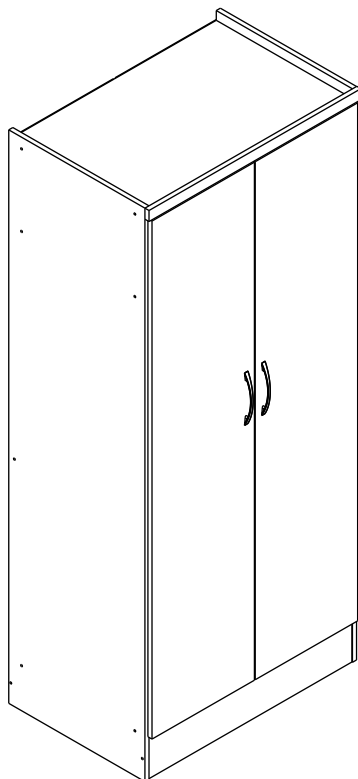


ASSEMBLY INSTRUCTIONS



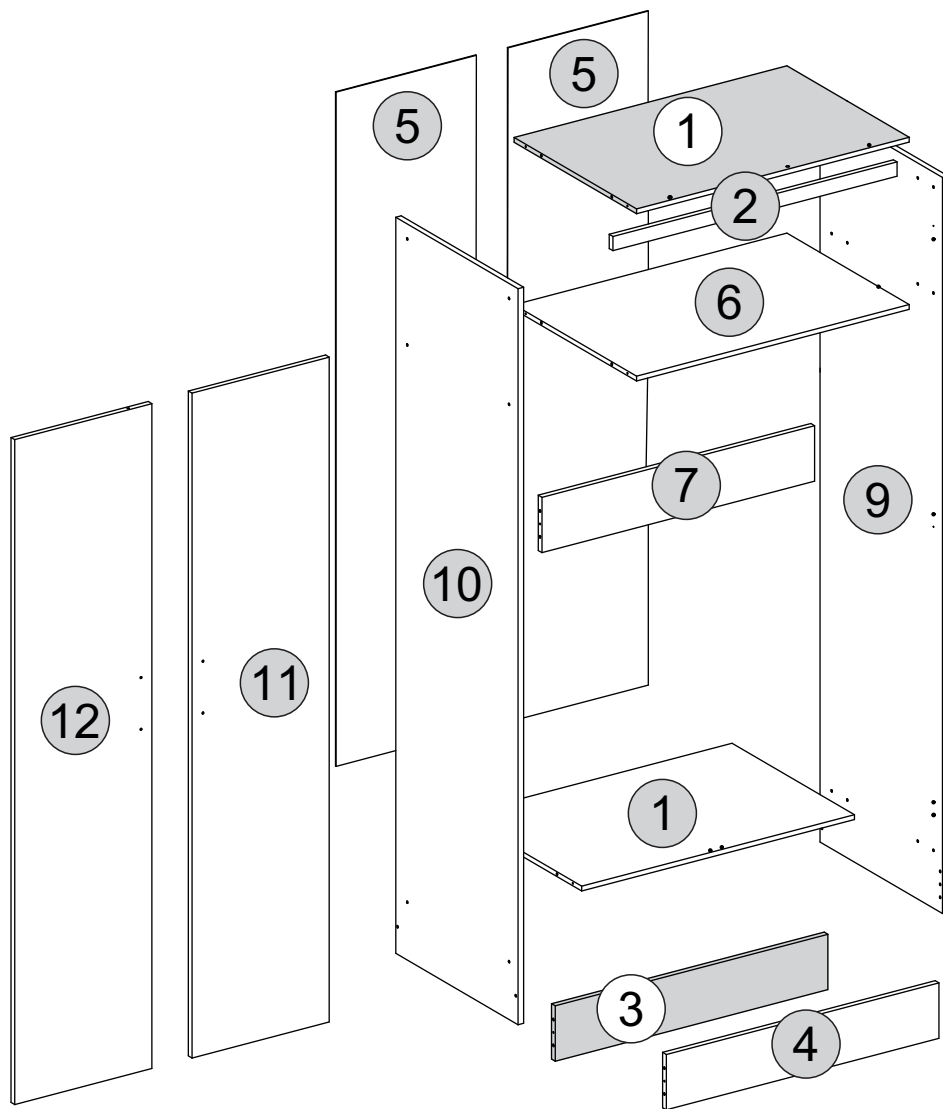
IMPORTANT FOR DOMESTIC USE ONLY

PLEASE READ BEFORE YOU CONTINUE FURTHER

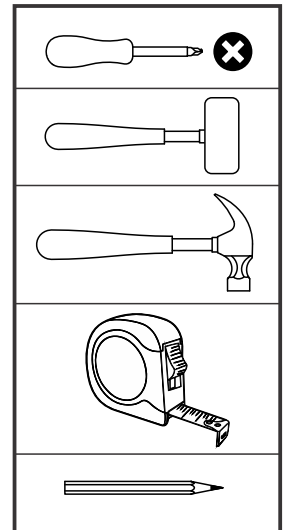
CARE AND MAINTENANCE

After unpacking this product please keep the original packaging in case it needs to be returned for any reason.

- Please ensure all fittings and parts are present before commencing with assembly.
- Never drag or push products as this could cause damage to the joints making it inferior.
- We strongly recommend that you keep children away from your work area.
- We recommend that you lay a blanket or sheet on the floor to avoid damage to both your floor and the product.
- Assemble this product as close to its final position as possible.
- Do not place this product next to a radiator or in direct sunlight.
- Do not drag or push items across your high gloss furniture as this may cause the surface to scratch
- Wood is a natural product and may expand if subjected to damp and may shrink or crack if subjected to heat. Therefore it is recommended that room temperature is maintained, with no sudden temperature fluctuations.
- Make sure any spillage is wiped off immediately.
- Do not place hot or chilled items directly on to the surface, use a place mat or marking will occur.
- For general cleaning use a soft cotton or micro fibre cloth, and do not use detergents of any kind.
- From time to time it may be necessary to tighten fittings, regular inspections should be carried out.
- Do not place on a wet or damp floor as staining may occur to your floor.



TOOLS REQUIRED


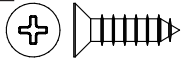
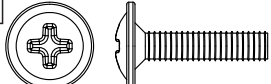

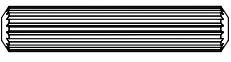

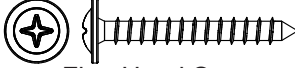
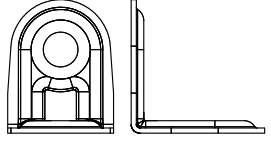

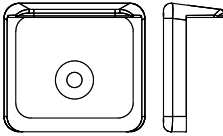
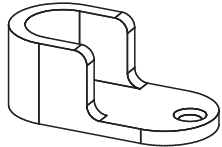
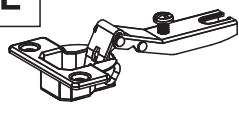
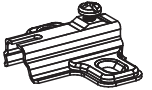




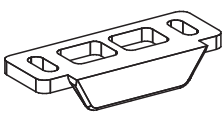
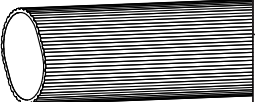



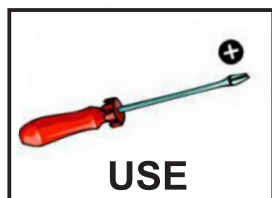
PARTS LIST

Please Note:
The below parts have all been stamped with the part number to help identify them during assembly.

Part Number	Part Description	Quantity	Carton
1	Base-Top Panel	2	2/2
2	Upper Frame	1	1/2
3	Back Baseboard	1	2/2
4	Front Baseboard	1	2/2
5	Back Panel	2	1/2
6	Shelf	1	1/2
7	Back Crossbar	1	1/2
9	Right Side Panel	1	1/2
10	Left Side Panel	1	2/2
11	Right Door	1	1/2
12	Left Door	1	2/2

FITTINGS LIST

<p>A</p>  <p>Flan Head Screw Ø4,0 x 14mm (12x) <small>+1/2</small></p>	<p>B</p>  <p>Flan Head Screw Ø4,0 x 14mm (40x) <small>+1/2</small></p>	<p>C</p>  <p>Flan Head Screw M4 x 20 (4x) <small>+1</small></p>	<p>D</p>  <p>Flat Head Screw Ø4,0 x 50mm (18x) <small>+1/2</small></p>	
<p>E</p>  <p>Dowel Ø6,0 x 30mm (24x) <small>+1/2</small></p>	<p>F</p>  <p>Nail 10 x 10 (58x) <small>+1/2</small></p>	<p>G</p>  <p>Flan Head Screw Ø3,5 x 30mm (2x) <small>+1</small></p>	<p>H</p>  <p>'L' Metallic Support (4x) <small>+1</small></p>	
<p>I</p>  <p>Washer (4x) <small>+1</small></p>	<p>J</p>  <p>Plastic Foot (6x) <small>+1</small></p>	<p>K</p>  <p>Hanging Rail Support (2x)</p>	<p>L</p>  <p>Hinge (6x)</p>	<p>M</p>  <p>Hinge Plate (6x)</p>
<p>N</p>  <p>Strap (2x)</p>	<p>O</p>  <p>Handle (2x)</p>	<p>P</p>  <p>Hole Plugs (18x) <small>+1/2</small></p>	<p>Q</p>  <p>Glue (1x)</p>	
<p>R</p>  <p>Door Stop (2x)</p>	<p>S</p>  <p>Hanging Rail (1x)</p>	<p>T</p>  <p>Back Panel Strip (1x)</p>		

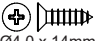


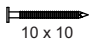
STEP 1

PARTS REQUIRED

9 - RIGHT SIDE PANEL x1

HARDWARE REQUIRED

B  08
Ø4,0 x 14mm

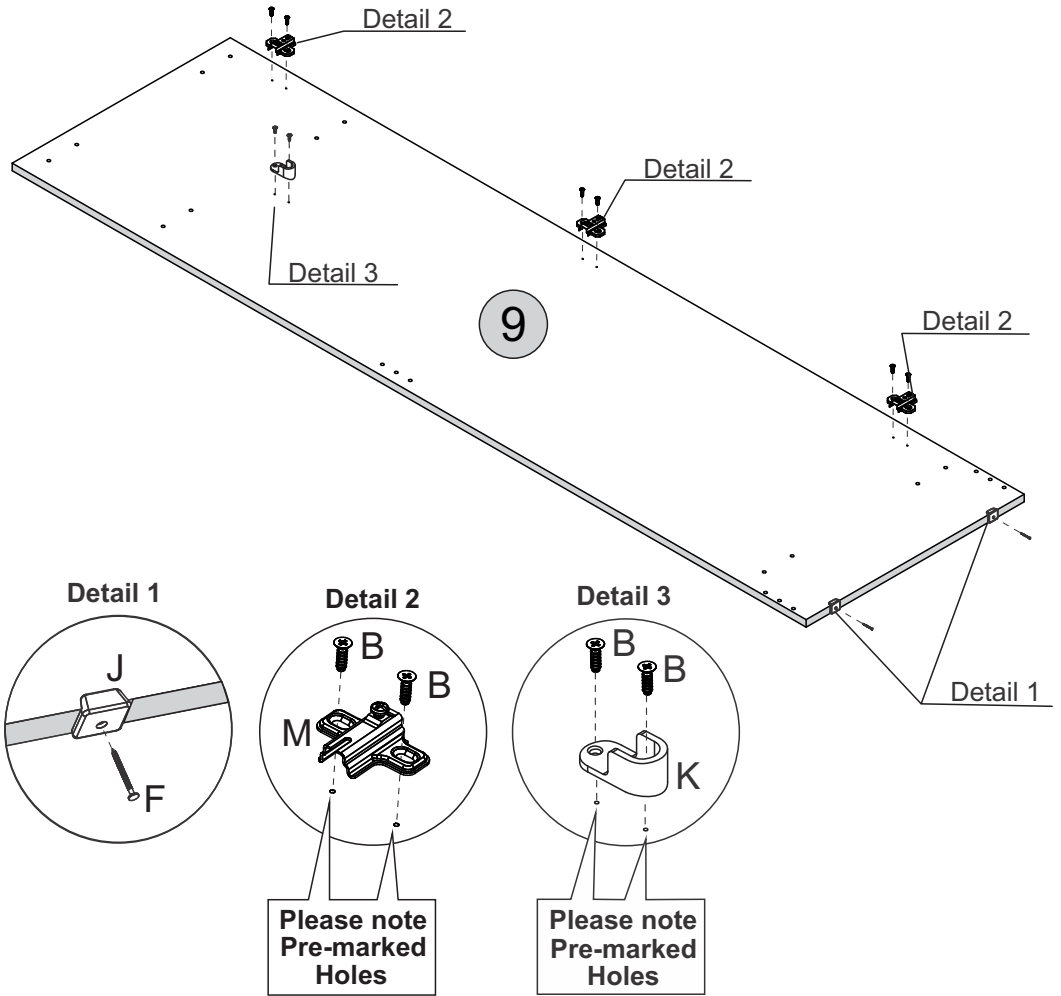
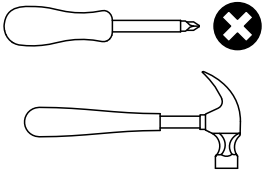
F  02
10 x 10

J  02

K  01

M  03

TOOLS REQUIRED

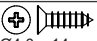


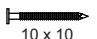
STEP 2

PARTS REQUIRED

10 - LEFT SIDE PANEL x1

HARDWARE REQUIRED

B  08
Ø4,0 x 14mm

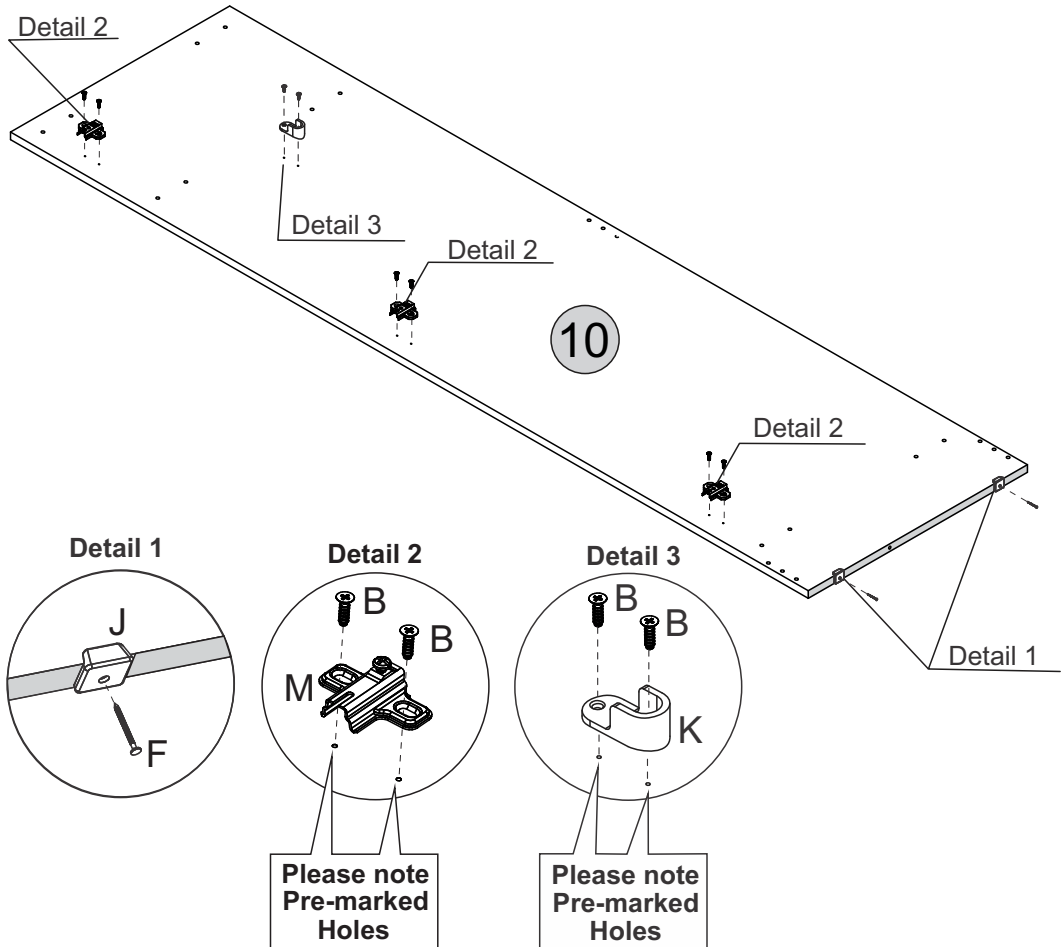
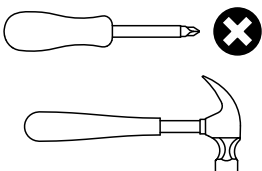
F  02
10 x 10

J  02

K  01

M  03

TOOLS REQUIRED



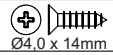
STEP 3

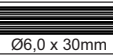
PARTS REQUIRED

1 - BASE-TOP PANEL x2

6 - SHELF x1

HARDWARE REQUIRED

B  06
Ø4.0 x 14mm

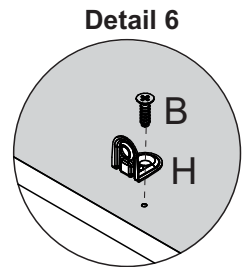
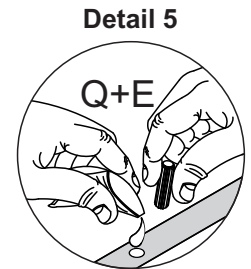
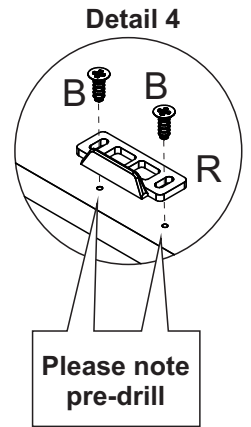
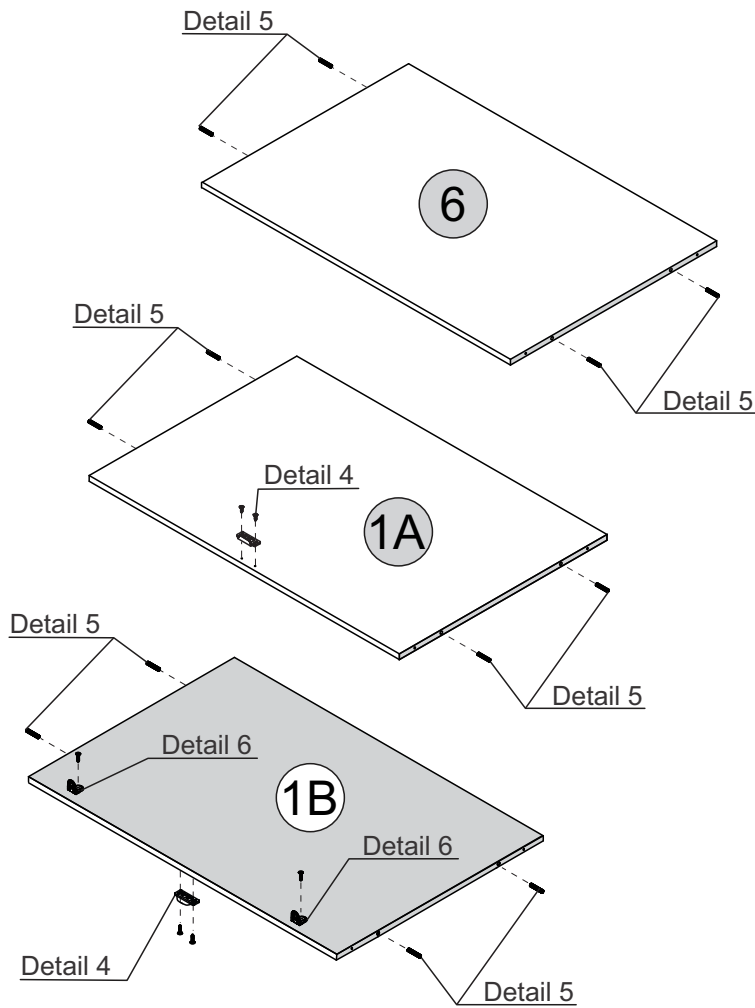
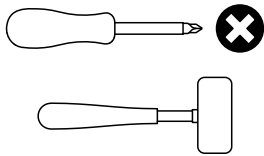
E  12
Ø6.0 x 30mm

H  02

Q  01

R  02

TOOLS REQUIRED



STEP 4

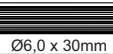
PARTS REQUIRED

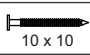
3 - BACK BASEBOARD x1

4 - FRONT BASEBOARD x1

7 - BACK CROSSBAR x1

HARDWARE REQUIRED

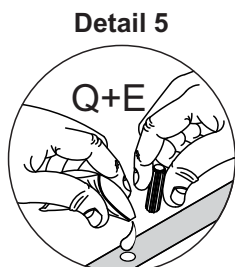
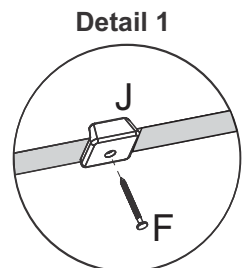
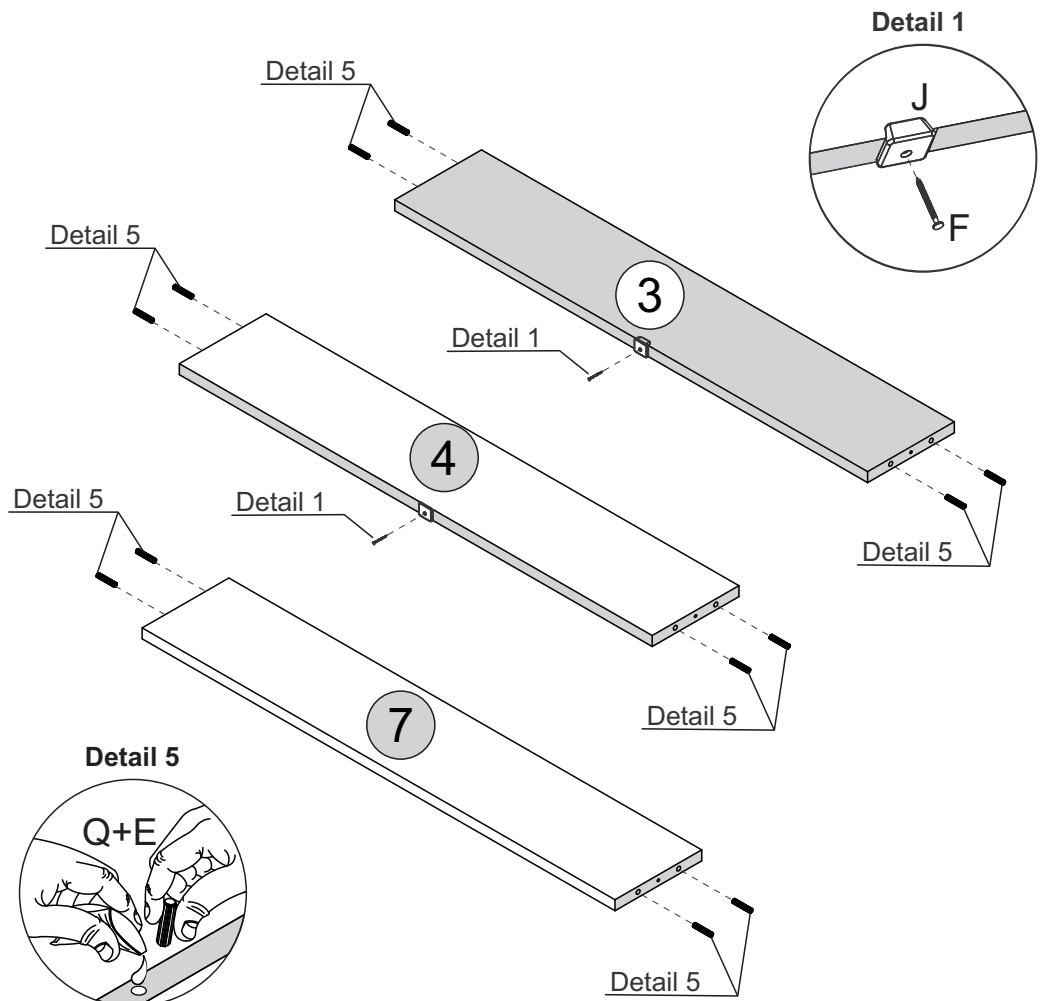
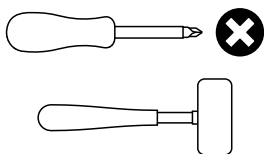
E  12
Ø6.0 x 30mm

F  02
10 x 10

J  02

Q  01

TOOLS REQUIRED





STEP 5

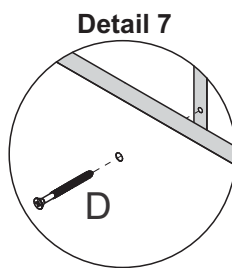
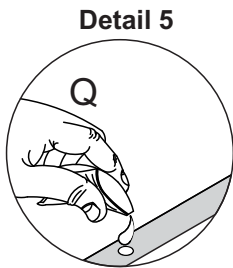
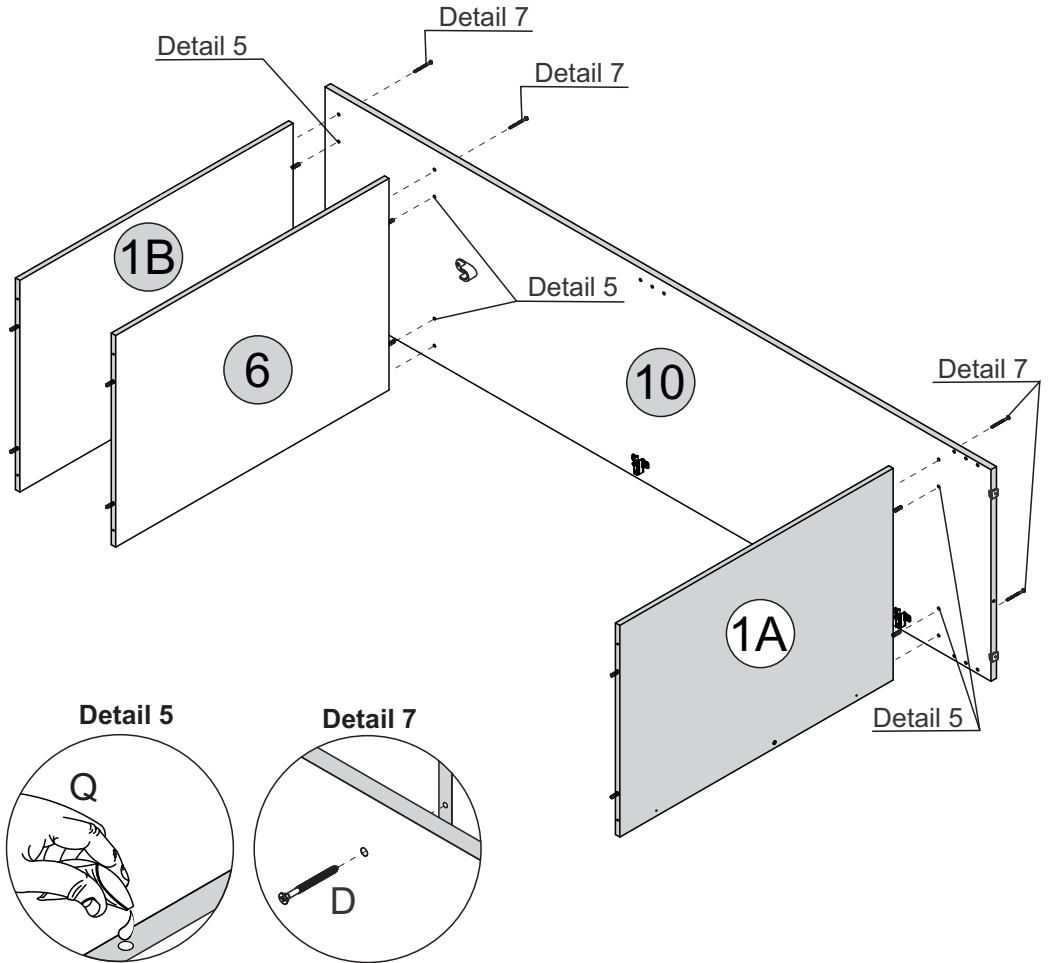
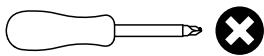
PARTS REQUIRED

1 - TOP-BASE PANEL	x2
6 - SHELF	x1
10 - LEFT SIDE PANEL	x1

HARDWARE REQUIRED

D		Ø4,0 x 50mm	06
Q		Glue	01

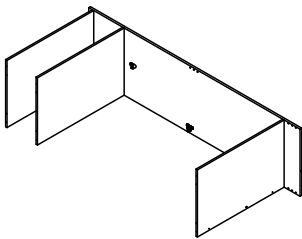
TOOLS REQUIRED





STEP 6

PARTS REQUIRED

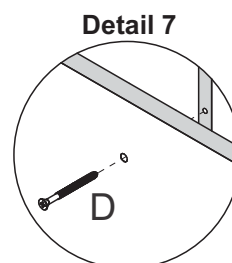
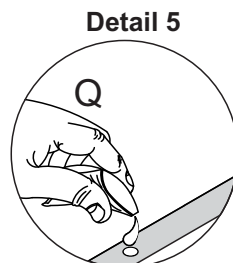
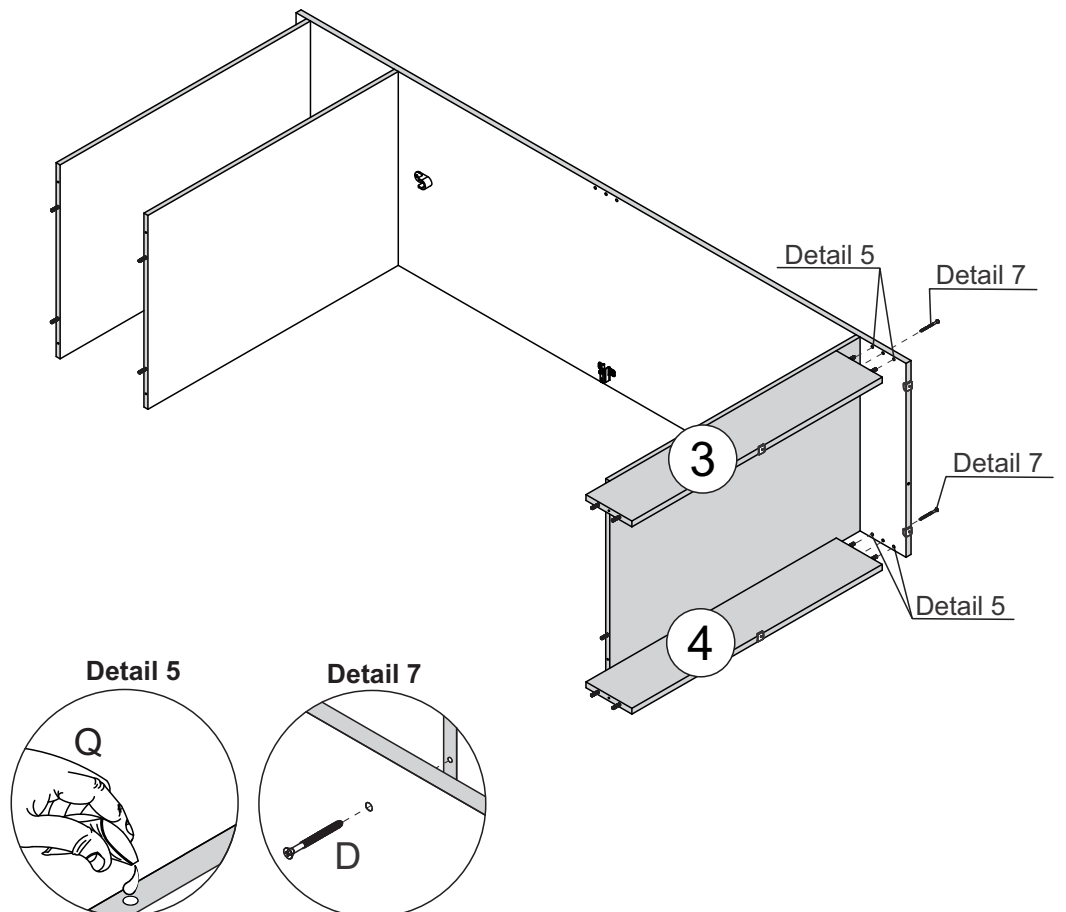
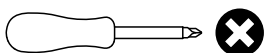
3 - BACK BASEBOARD	x1
4 - FRONT BASEBOARD	x1



HARDWARE REQUIRED

D		Ø4,0 x 50mm	02
Q		Glue	01

TOOLS REQUIRED

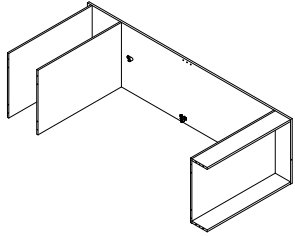


STEP 7


PARTS REQUIRED

7 - BACK CROSSBAR x1

9 - RIGHT SIDE PANEL x1

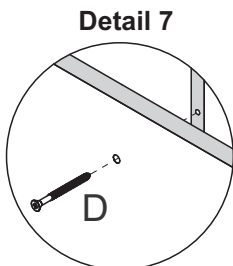
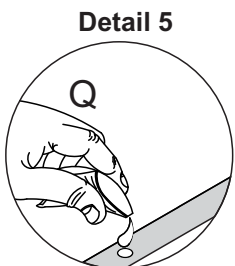
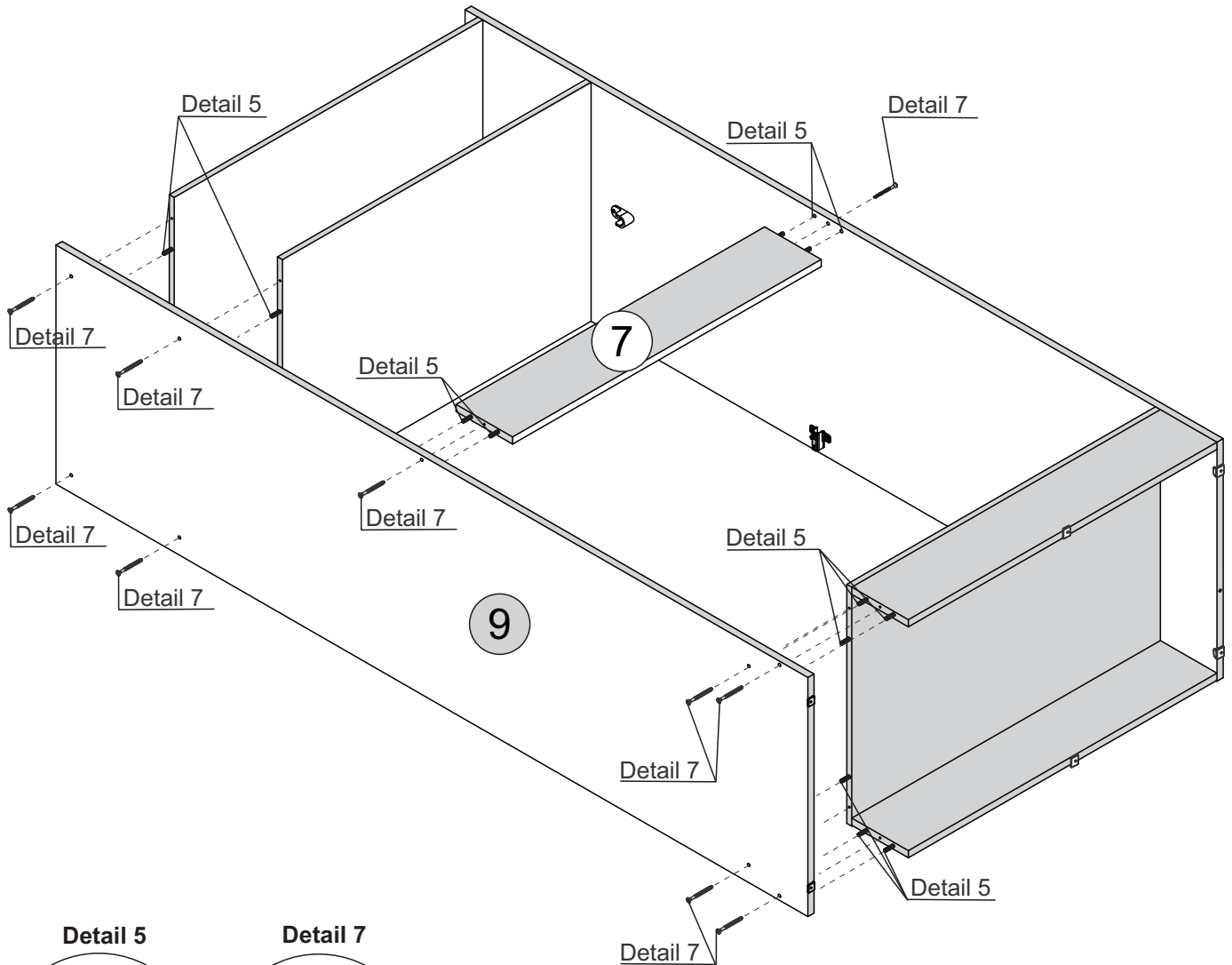
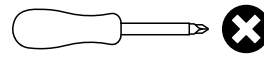


HARDWARE REQUIRED

D  Ø4,0 x 50mm 10

Q  01

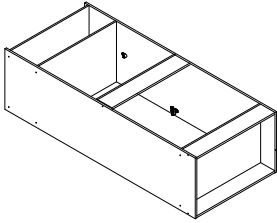
TOOLS REQUIRED



STEP 8

PARTS REQUIRED

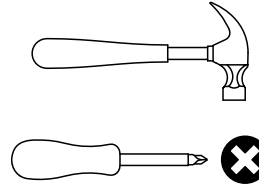
5 - BACK PANEL x2



HARDWARE REQUIRED

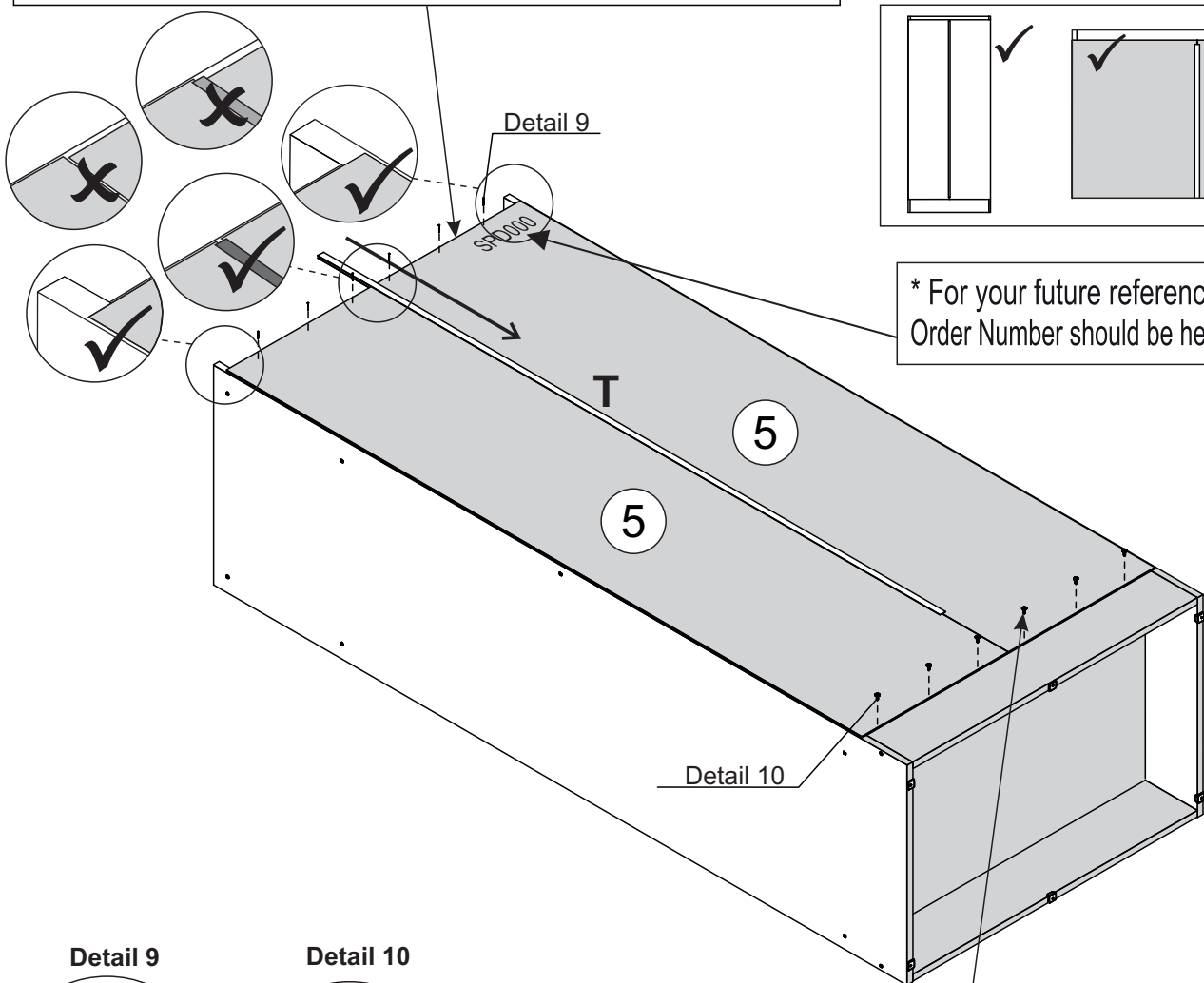
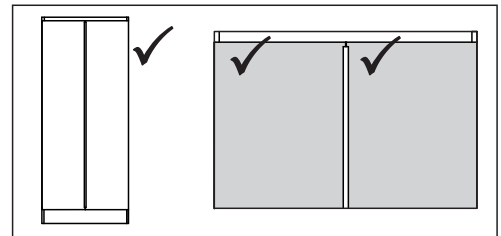
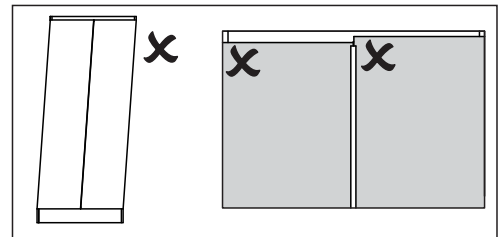
A	Ø4.0 x 14mm	06
F	10 x 10	06
T		01

TOOLS REQUIRED



IMPORTANT PLEASE FOLLOW !

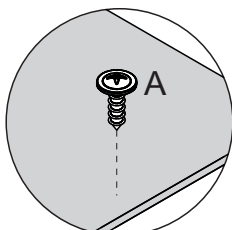
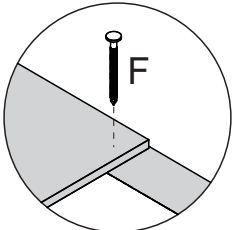
Please make sure Part 5 is lined up correctly at the top before placing fitting F into the panel as this can affect the alignment of the doors once assembled.



* For your future reference Order Number should be here

Detail 9

Detail 10

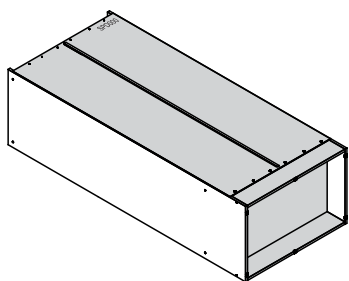


IMPORTANT PLEASE FOLLOW !


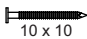
Please make sure Part 5 isn't overhanging at the sides before you screw fitting A into the plinth.

STEP 9

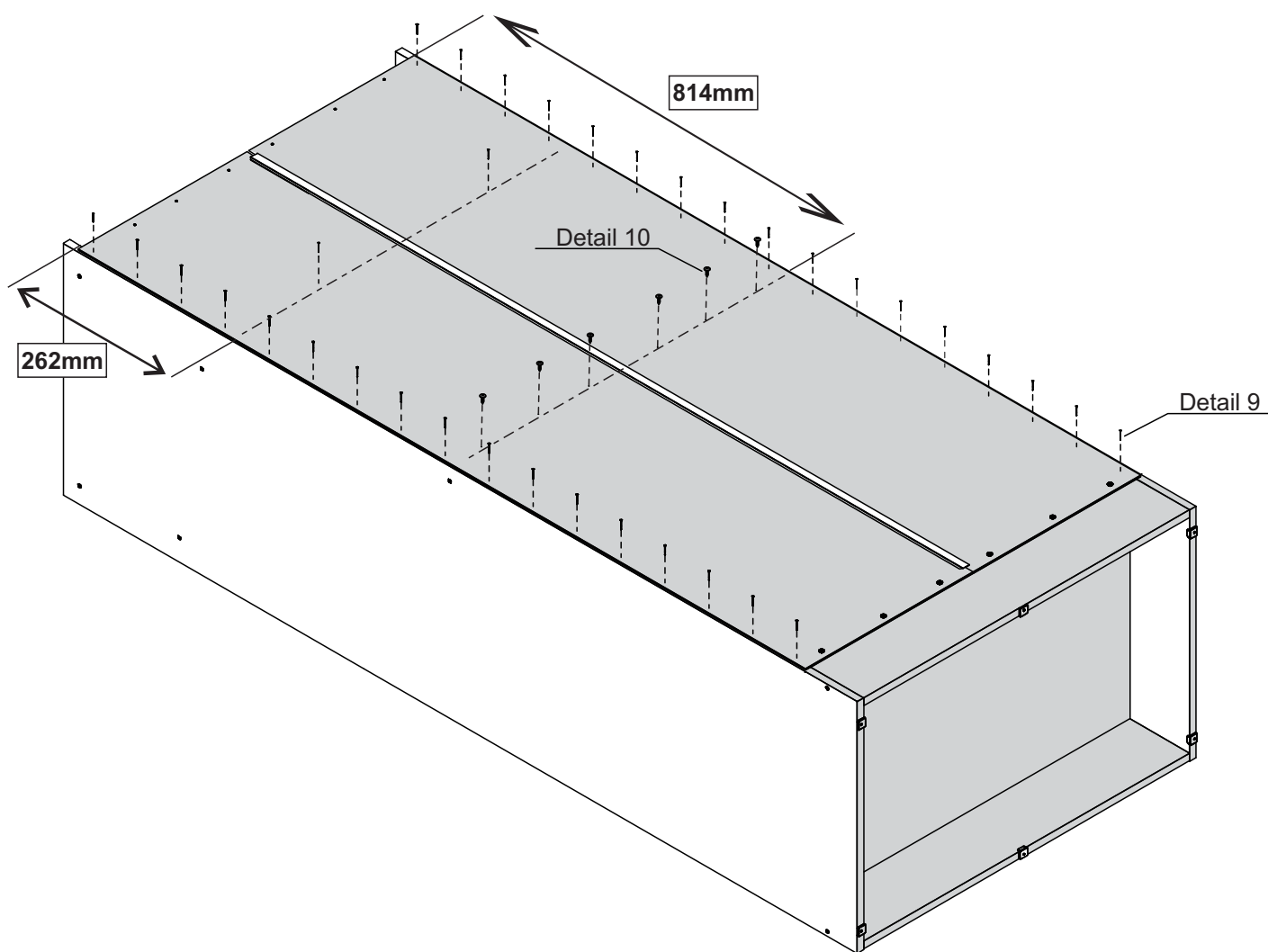
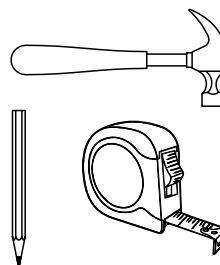
PARTS REQUIRED



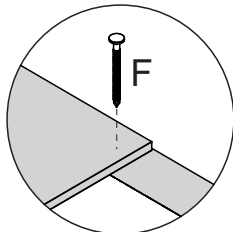
HARDWARE REQUIRED

A	 Ø4,0 x 14mm	06
F	 10 x 10	36

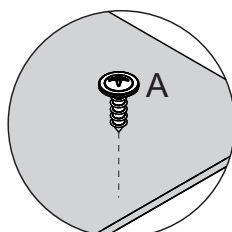
TOOLS REQUIRED



Detail 9



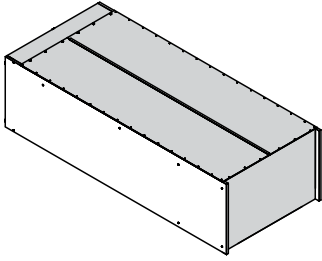
Detail 10



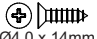
STEP 10


PARTS REQUIRED

2 - UPPER FRAME x1

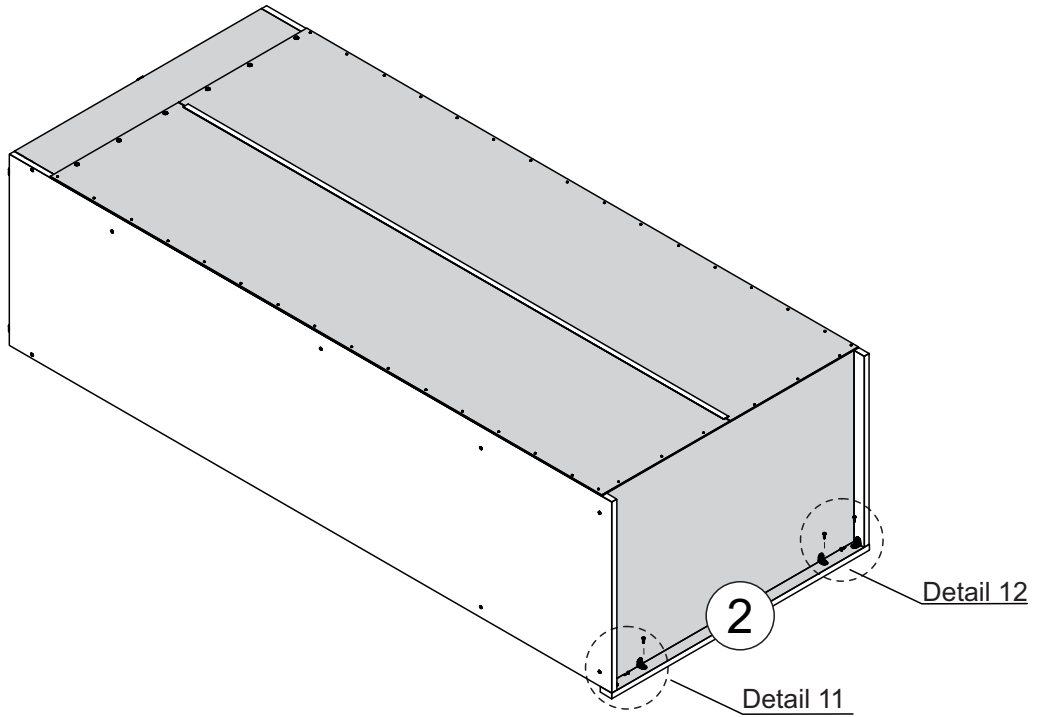
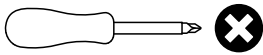


HARDWARE REQUIRED

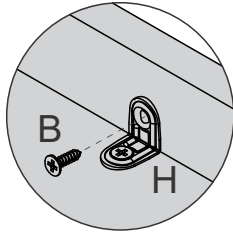
B  06
Ø4,0 x 14mm

H  02

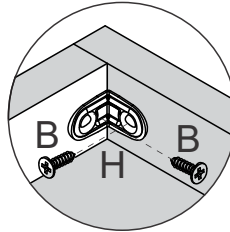
TOOLS REQUIRED



Detail 11

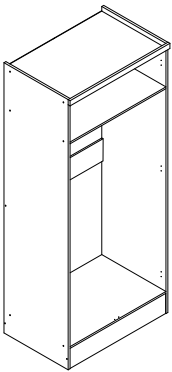


Detail 12



STEP 11

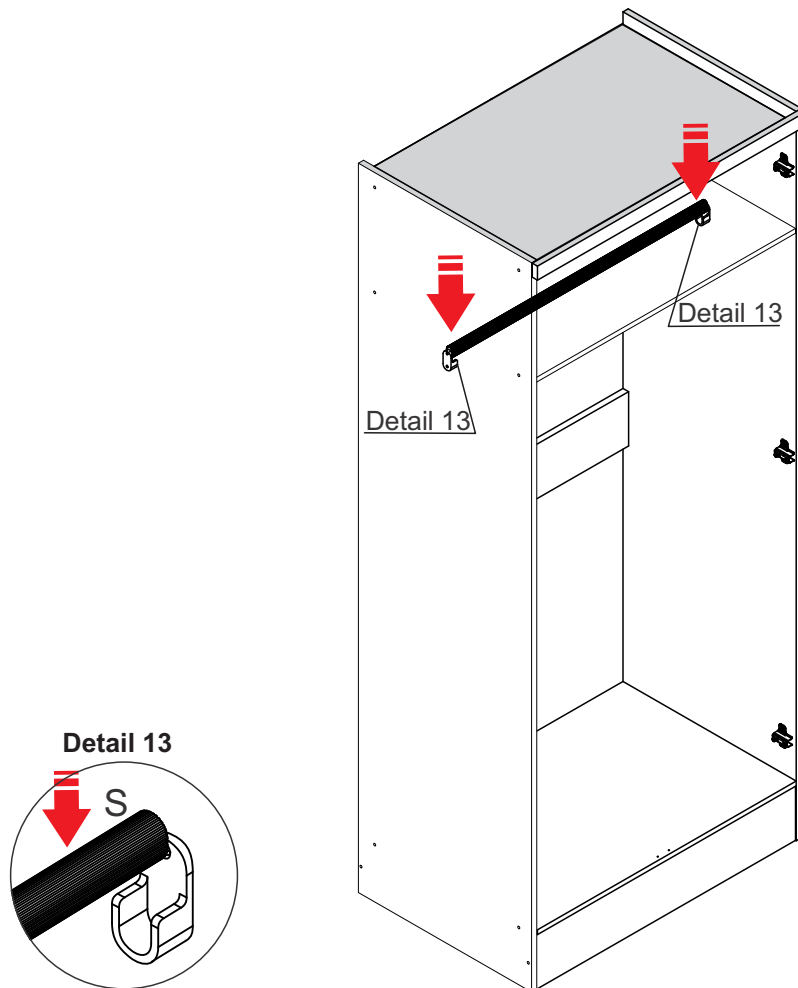
PARTS REQUIRED



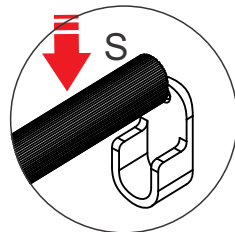
HARDWARE REQUIRED

S  01

TOOLS REQUIRED



Detail 13



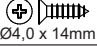
STEP 12

PARTS REQUIRED

11 - RIGHT DOOR x1

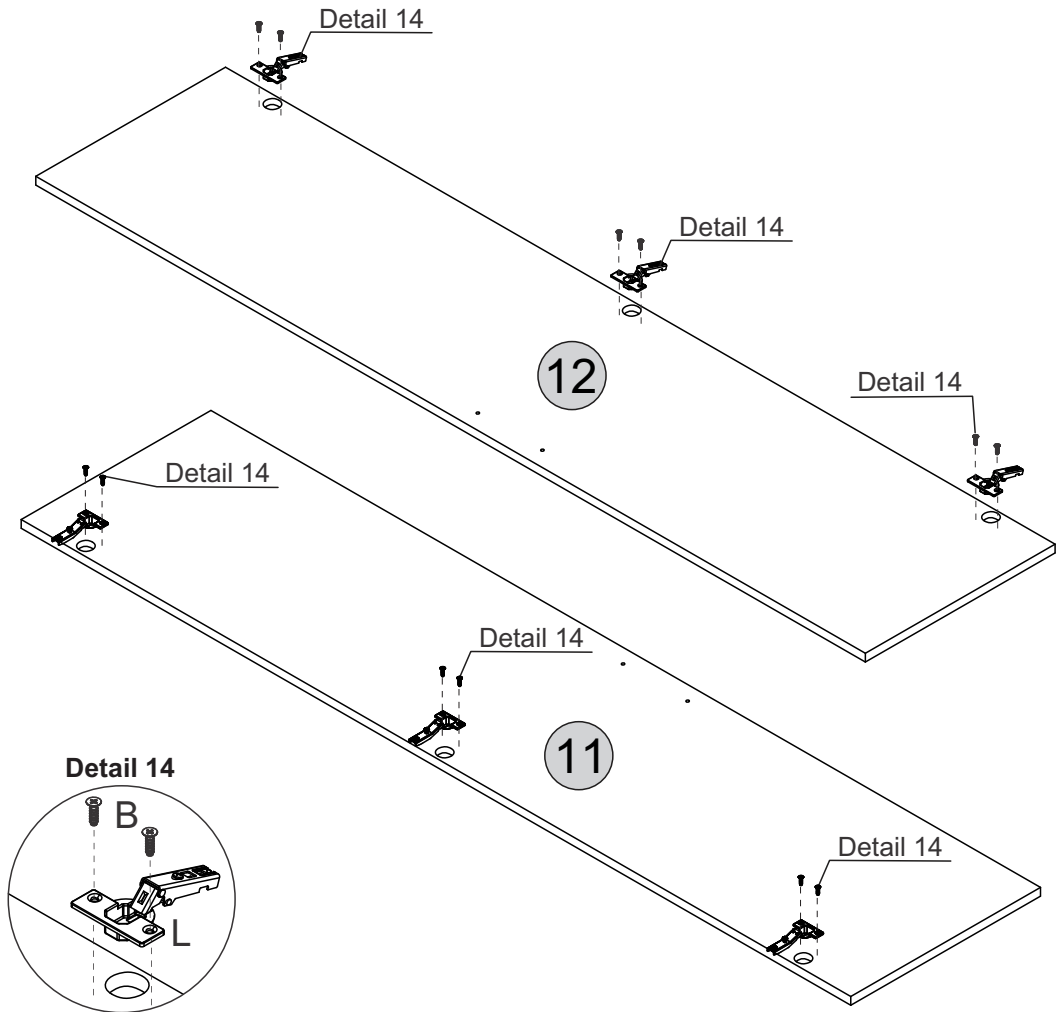
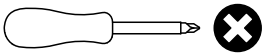
12 - LEFT DOOR x1

HARDWARE REQUIRED

B  12
Ø4,0 x 14mm

L  06

TOOLS REQUIRED

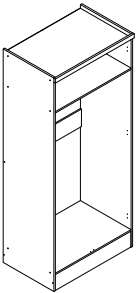


STEP 13

PARTS REQUIRED

11 - RIGHT DOOR x1

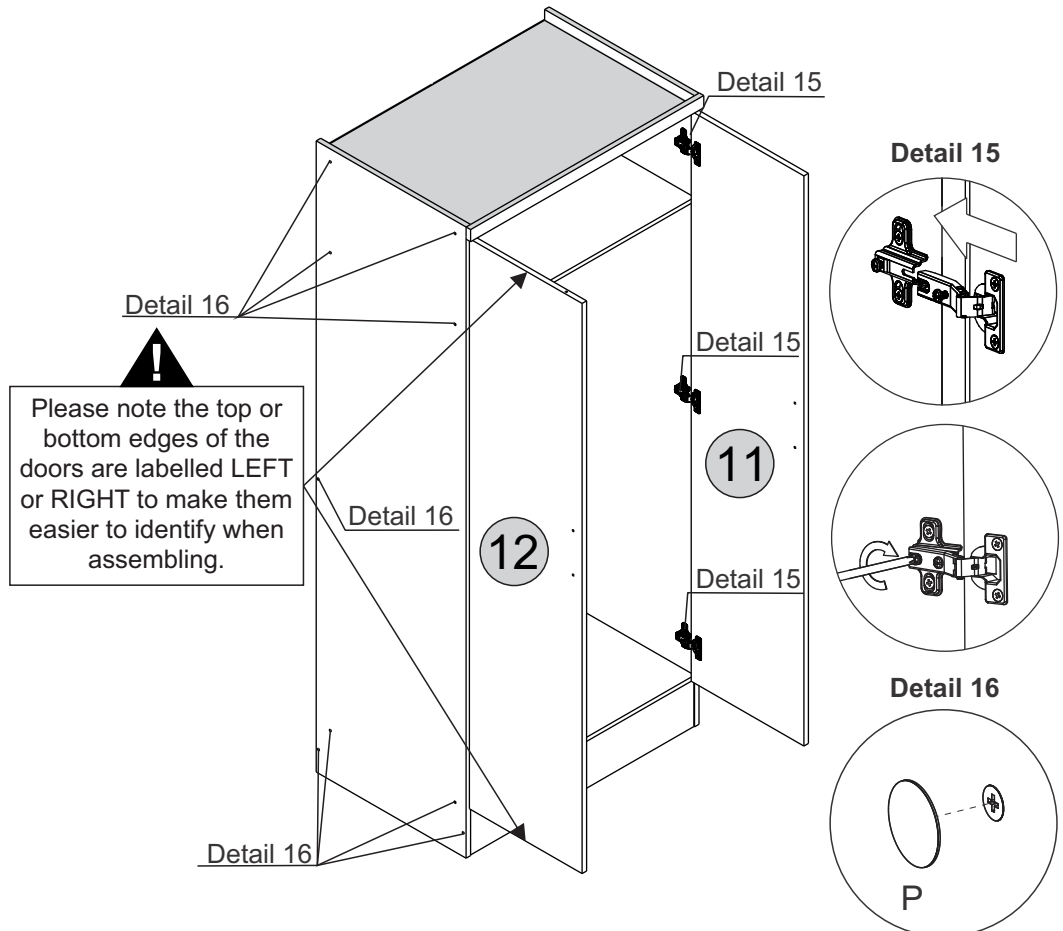
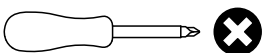
12 - LEFT DOOR x1



HARDWARE REQUIRED

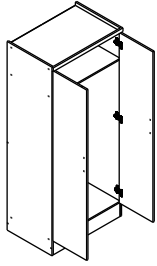
P  18

TOOLS REQUIRED



STEP 14

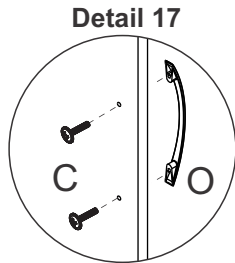
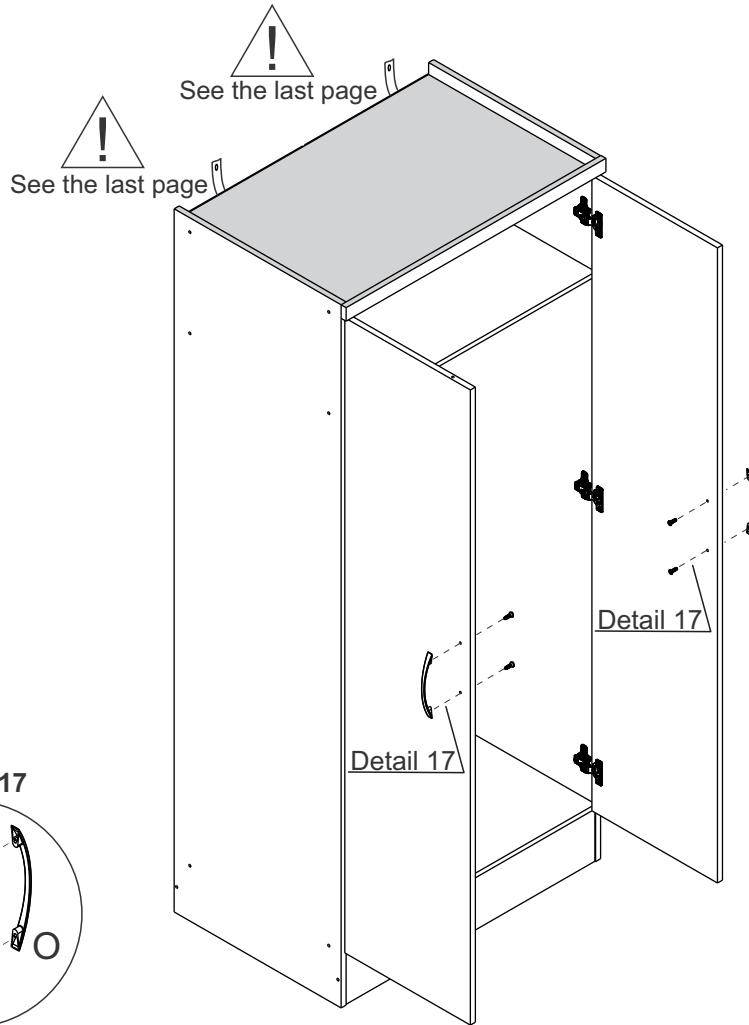
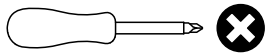
PARTS REQUIRED



HARDWARE REQUIRED



TOOLS REQUIRED

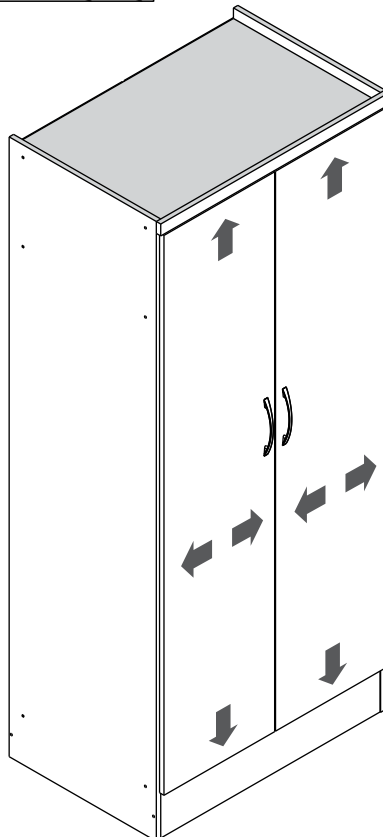
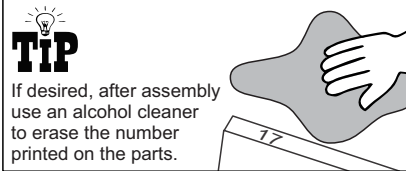


STEP 15

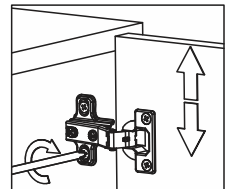
PARTS REQUIRED

HARDWARE REQUIRED

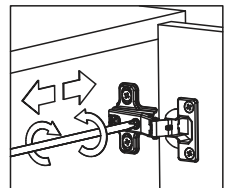
TOOLS REQUIRED



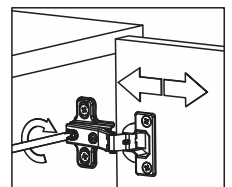
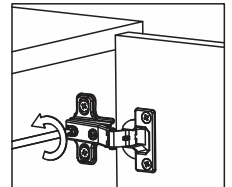
Height Adjustment



Internal Adjustment



Depth Adjustment



WARNING

Serious or fatal injuries can occur from furniture tipping over. To prevent the furniture from tipping over we recommend that it is permanently fixed to the wall.

Wall fixings are not supplied with this product as different wall materials require different types of fixing devices.

Please make sure you use fixings suitable for the walls in your home.

