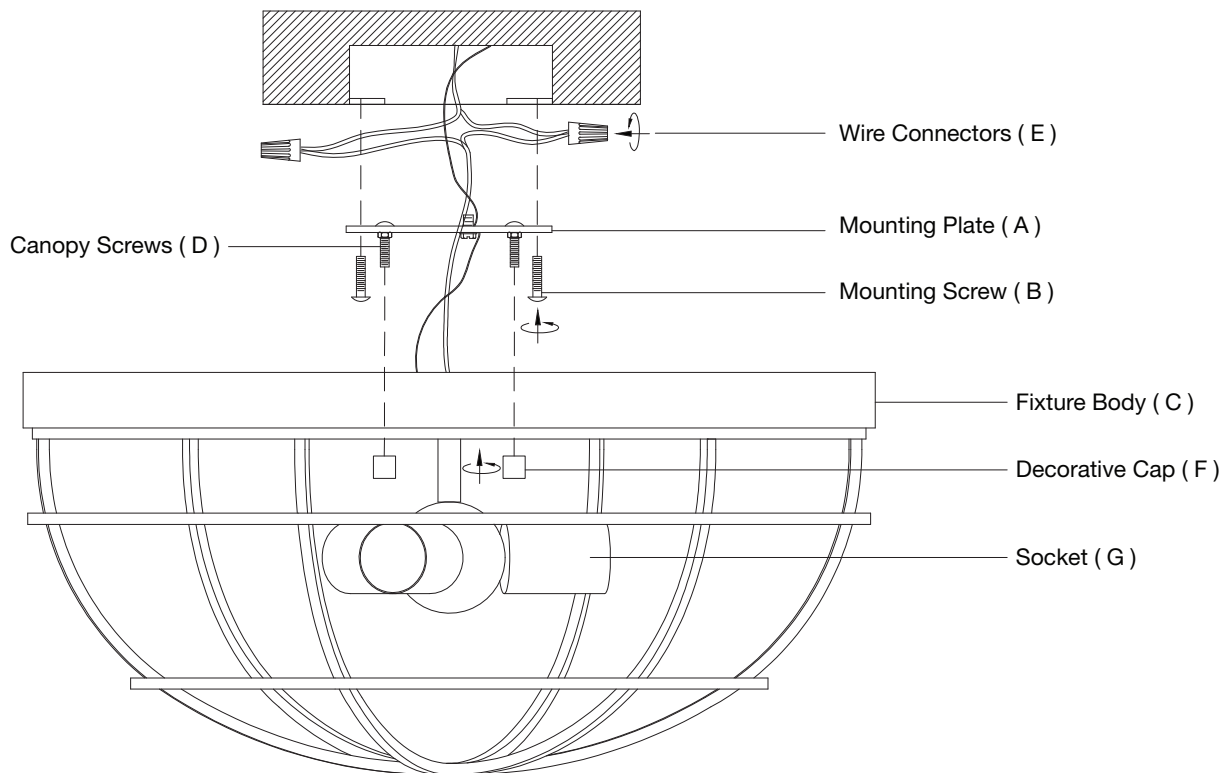


## IMPORTANT SAFETY INSTRUCTIONS

- To avoid injury or damage, mount only on a surface that is sturdy.
- To avoid electric shock, make sure electricity is turned off at the main circuit breaker panel. If you are replacing an existing fixture, turn off the following in order: fixture, wall switch, and main fuse or breaker box. Note: Some types of fuses must be

**\* Connect the ground wire (bare copper or green) from your fixture to the ground wire (copper or green) or ground screw in the electrical outlet box.**

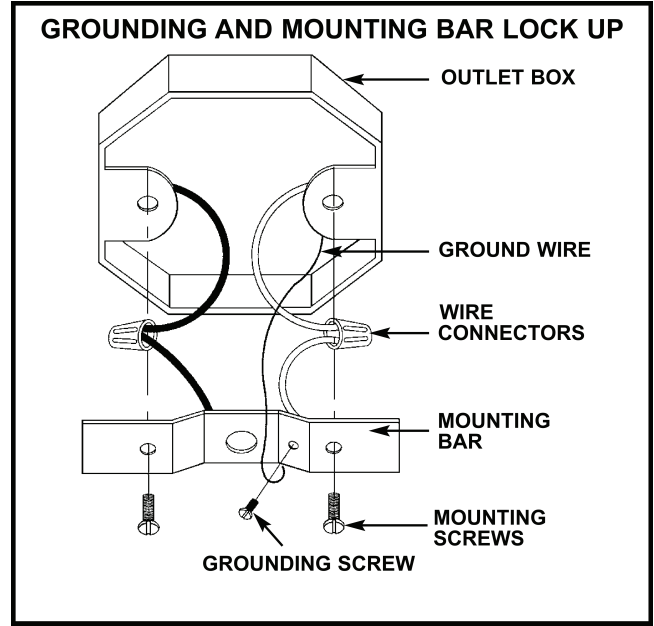
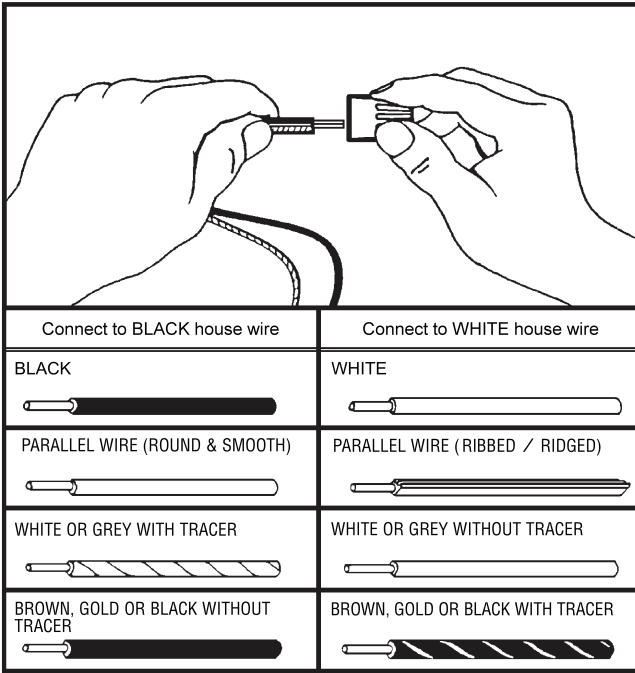
**Unpack the Fixture:** Check the contents of the box. Box should contain all items below.



## ASSEMBLY:

- 1 Secure Mounting Plate (A) to junction box using Mounting Screws (B) provided. Mounting Plate (A) should be positioned with Canopy Screws (D) pointing away from junction box.
- 2 Place Fixture Body (C) against ceiling by inserting Canopy Screws (D) through appropriate holes located on Fixture Body (C). Adjust Canopy Screws (D) and hex nuts until 1/4" of the threaded portion is visible. Remove Fixture Body (C) once Canopy Screws (D) have been adjusted.

- 3 Using the wire graph below, connect the appropriate wires with Wire Connectors (E) to the corresponding wires in the junction box.



- 4 Secure Fixture Body (C) to Mounting Plate (A) using Decorative Caps (F).

- 5 Install light bulbs (not included) into Sockets (G).

Enjoy your new fixture!