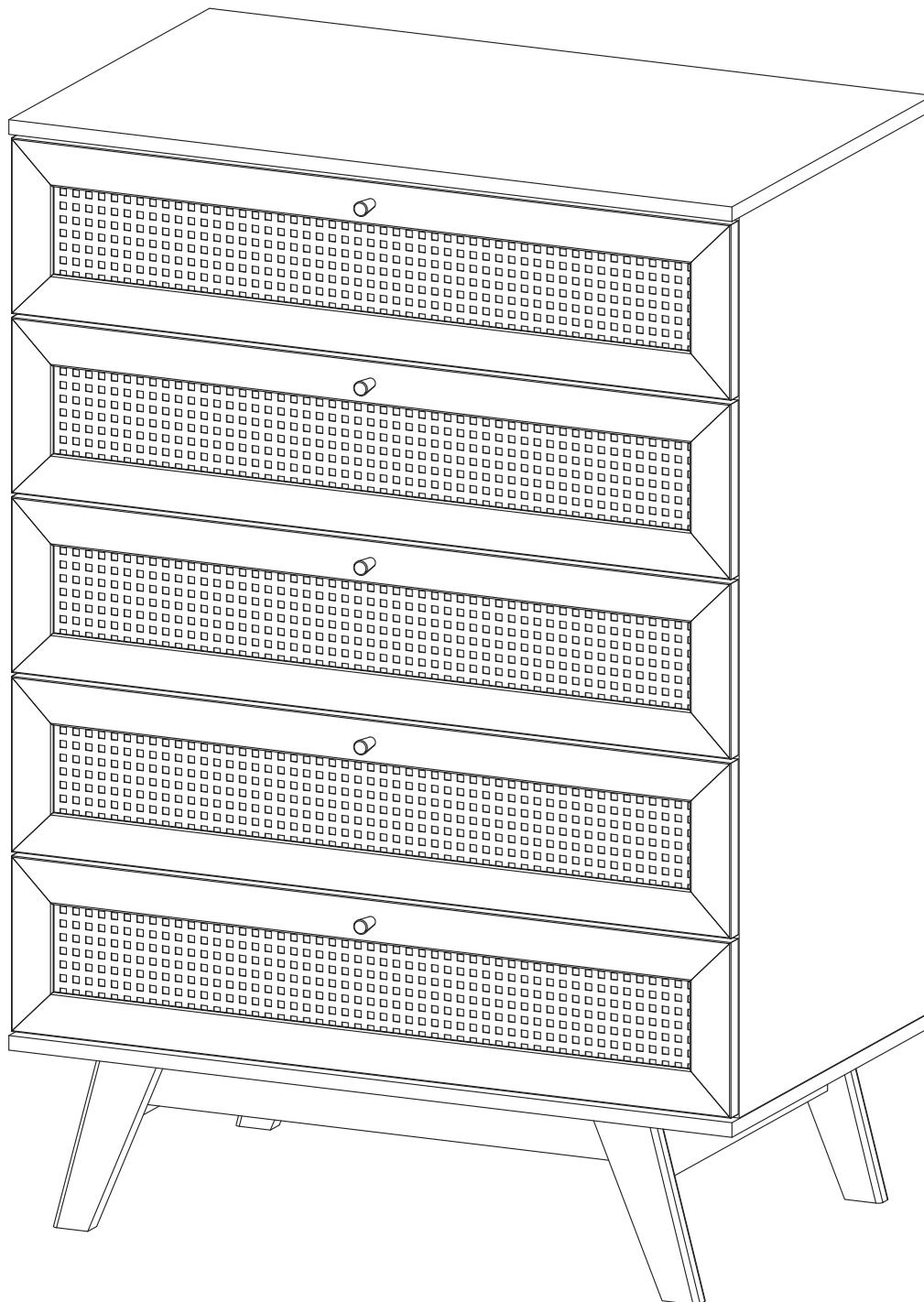


ASSEMBLY INSTRUCTIONS

MOD-7052

V0.07.11.22



Questions? Contact us!

609.256.9000 • cs@modway.com
www.modway.com

*modway



Read through all of the instructions before starting



Care instructions are listed in the last step of this manual



Approx. 120 minutes assembly time



Make sure you have all parts and components before discarding any packing materials



2 people recommended for assembly

Only use hand tools to assemble this item. Do not use power tools. Do not tighten bolts or screws completely until all hardware is lined up and inserted into the holes.

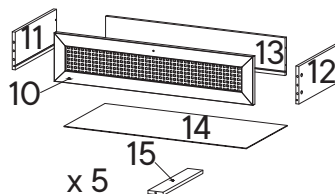
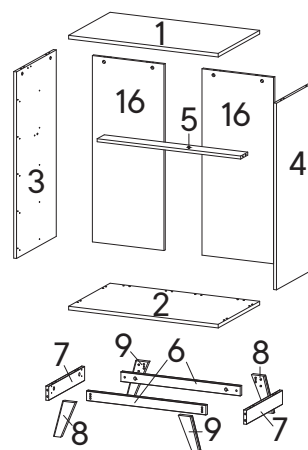
Do not over-tighten screws and bolts to avoid stripping the hardware or cracking the item.

Assemble your item on a flat, carpeted area, with plenty of space to work. This will prevent damage and scratches to your floors or the item while you're assembling the product.

Keep all components and packaging out of reach of children or animals to avoid risk of choking or suffocation.

Furniture components:

1	Top Board	x1	11	Side Drawer Left	x5
2	Bottom Board	x1	12	Side Drawer Right	x5
3	Side Board Left	x1	13	Back Drawer	x5
4	Side Board Right	x1	14	Bottom Drawer	x5
5	Support Board	x1	15	Support Drawer	x5
6	Bottom Skirt 1	x2	16	Back Board	x2
7	Bottom Skirt 2	x2			
8	Leg 1	x2			
9	Leg 2	x2			
10	Front Drawer	x5			



Provided hardware:

A		Cam Bolt $\varnothing 6 \times 35$ mm	x43	J		Screw M 3.5 x 15.5 mm	x20	S		Bracket	x2
B		Cam Lock $\varnothing 15$ mm	x18	K		Floor Protector	x4	RM35A		Drawer Runner	x5
C		Wood Dowel $\varnothing 8 \times 30$ mm	x42	L		Screw M 8 x 39 mm	x30	ST756		Anti-Deflection Bar	x1
D		Allen Key	x2	M		Screw M 6 x 10.5 mm	x34				
E		Screw M 7 x 50 mm	x8	N		Screw M 3.5 x 13 mm	x30				
F		Bracket	x4	O		Cam Lock $\varnothing 12$ mm	x25				
G		Screw M 6.4 x 35 mm	x4	P		Wood Dowel $\varnothing 6 \times 30$ mm	x10				
H		Screw M 4.5 x 12.5 mm	x8	Q		Handle	x5				
I		Wedge	x20	R		Screw M 4 x 25 mm	x5				

What you need:

Phillips Head Screwdriver

Wait!

Missing parts or hardware? Need assistance?
Contact us before returning your item. We're here to help!
609.256.9000 • cs@modway.com

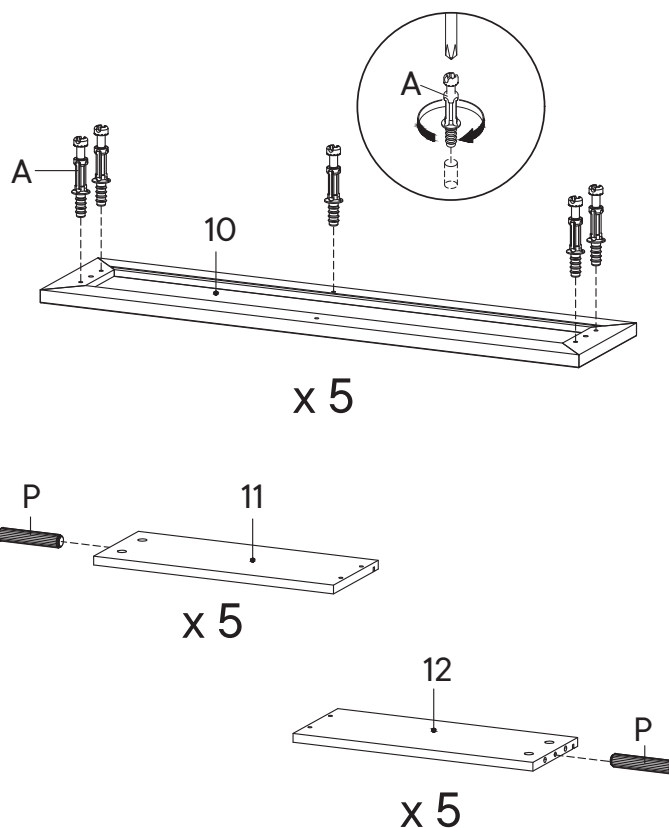
Step 1

HARDWARE

- A** Cam Bolt Ø6 x 35 mm x25
- P** Wood Dowel Ø6 x 30 mm x10

COMPONENTS

- 10** Front Drawer x5
- 11** Side Drawer Left x5
- 12** Side Drawer Right x5



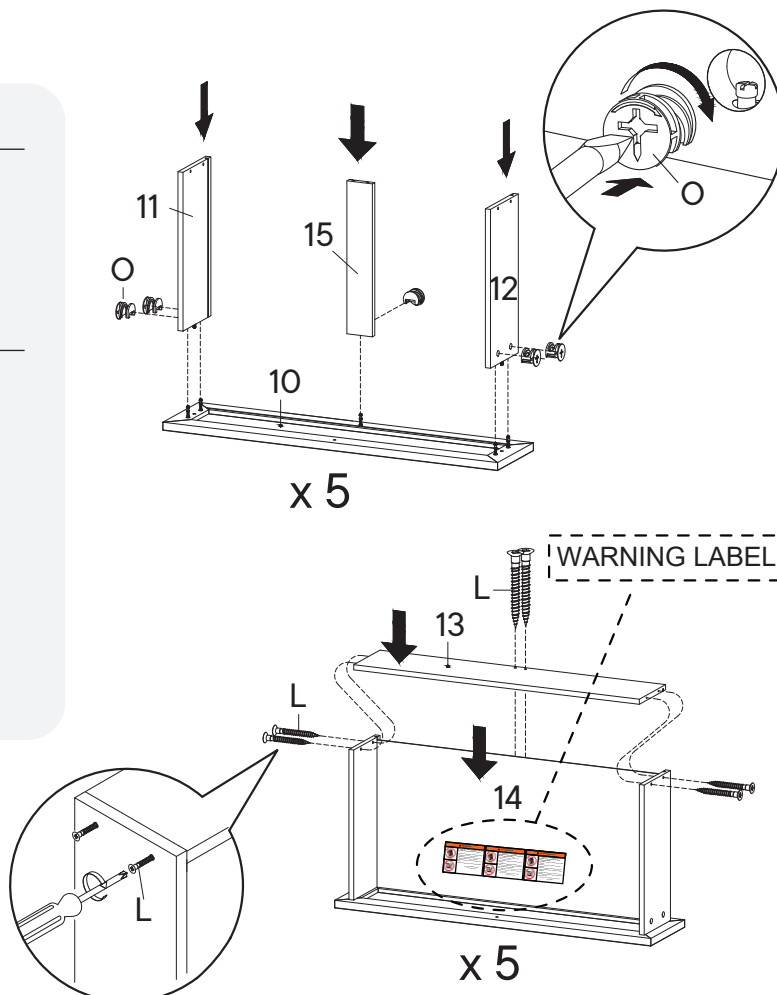
Step 2

HARDWARE

- L** Screw M 8 x 39 mm x30
- O** Cam Lock Ø12 mm x25

COMPONENTS

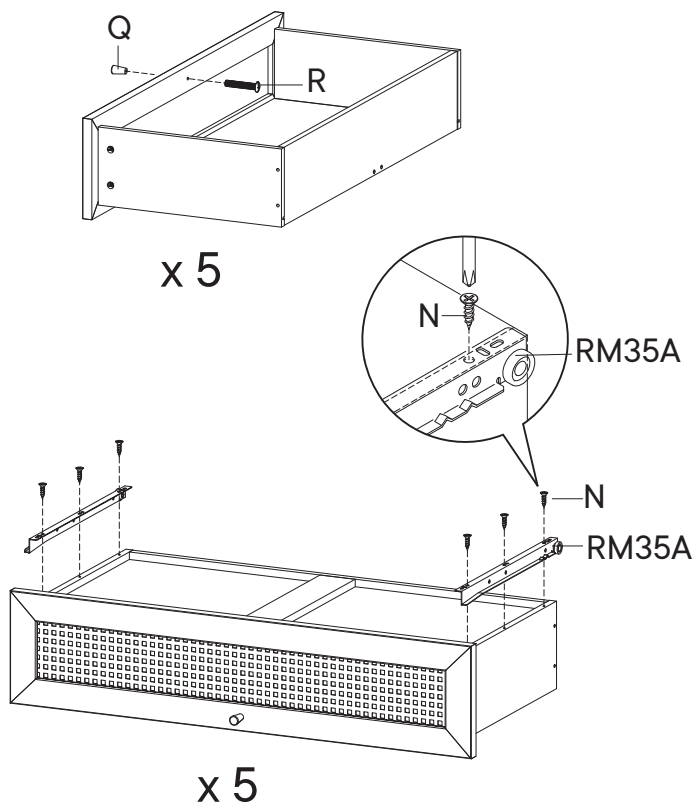
- 10** Front Drawer x5
- 11** Side Drawer Left x5
- 12** Side Drawer Right x5
- 13** Back Drawer x5
- 14** Bottom Drawer x5
- 15** Support Drawer x5



Step 3

HARDWARE

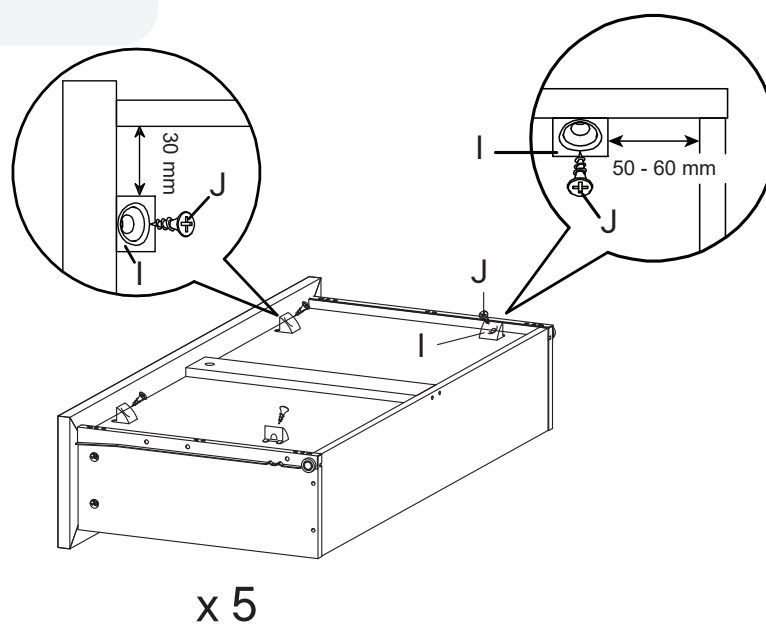
N	Screw M 3.5 x 13 mm	x30
Q	Handle	x5
R	Screw M 4 x 25 mm	x5
RM35A	Drawer Runner	x5



Step 4

HARDWARE

I	Wedge	x20
J	Screw M 3.5 x 15.5 mm	x20



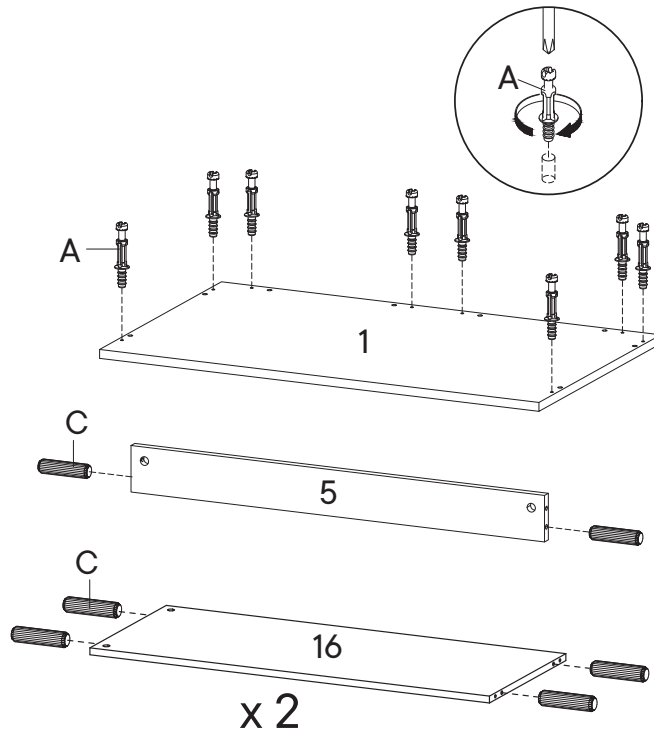
Step 5

HARDWARE

- A** Cam Bolt Ø6 x 35 mm x8
- C** Wood Dowel Ø8 x 30 mm x10

COMPONENTS

- 1** Top Board x1
- 5** Support Board x1
- 16** Back Board x2



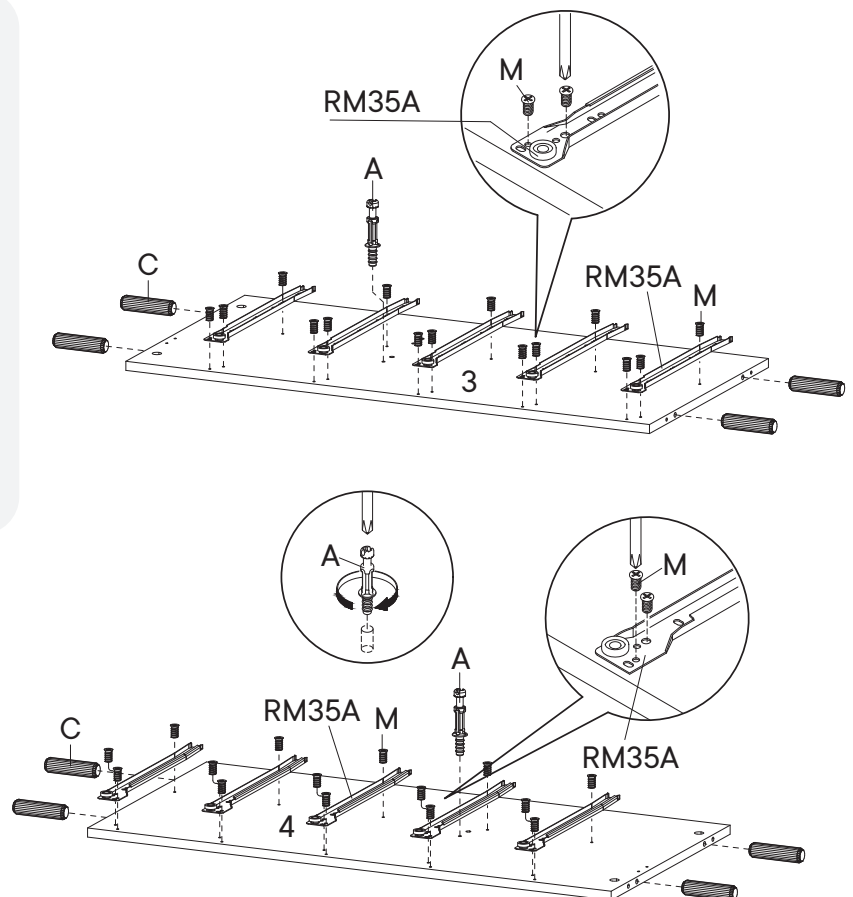
Step 6

HARDWARE

- A** Cam Bolt Ø6 x 35 mm x2
- C** Wood Dowel Ø8 x 30 mm x8
- M** Screw M 6 x 10.5 mm x30
- RM35A** Drawer Runner x5

COMPONENTS

- 3** Side Board Left x1
- 4** Side Board Right x1



Step 7

HARDWARE

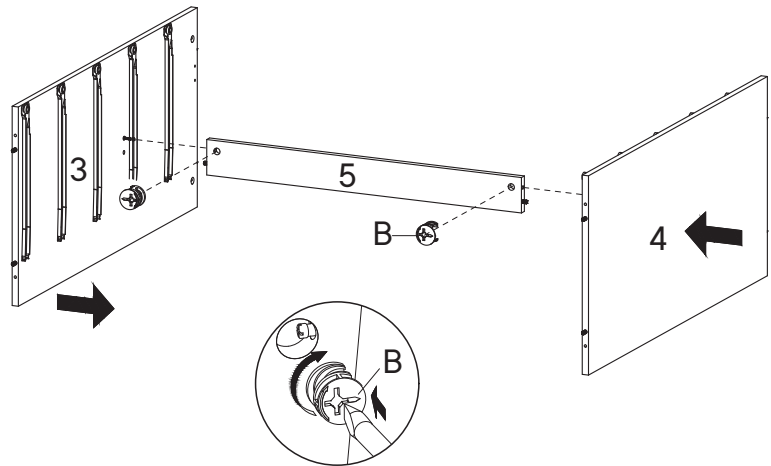
B Cam Lock Ø15 mm x2

COMPONENTS

3 Side Board Left x1

4 Side Board Right x1

5 Support Board x1



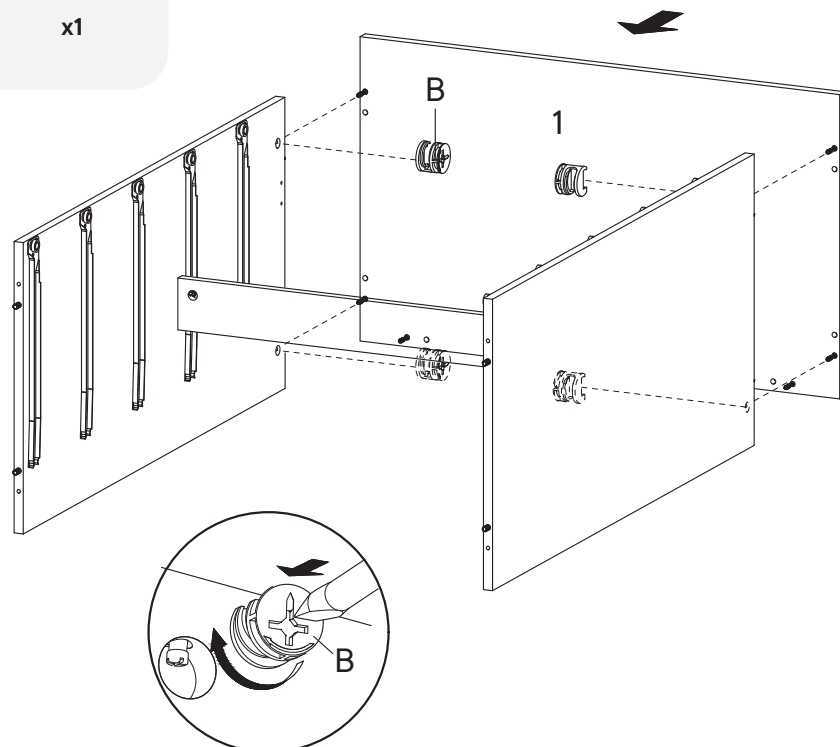
Step 8

HARDWARE

B Cam Lock Ø15 mm x4

COMPONENTS

1 Top Board x1



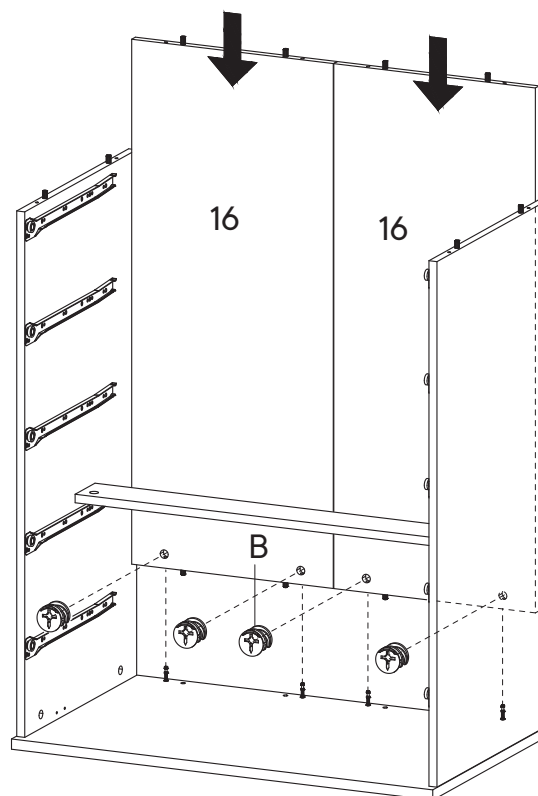
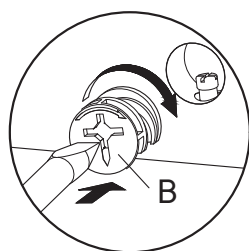
Step 9

HARDWARE

B Cam Lock Ø15 mm x4

COMPONENTS

16 Bottom Board x2



Step 10

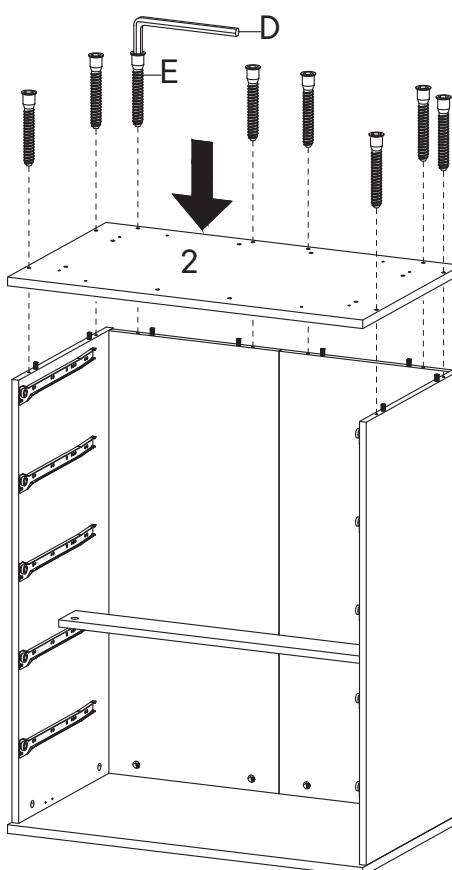
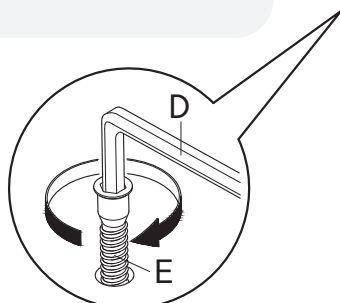
HARDWARE

D Allen Key x1

E Screw M 7 x 50 mm x8

COMPONENTS

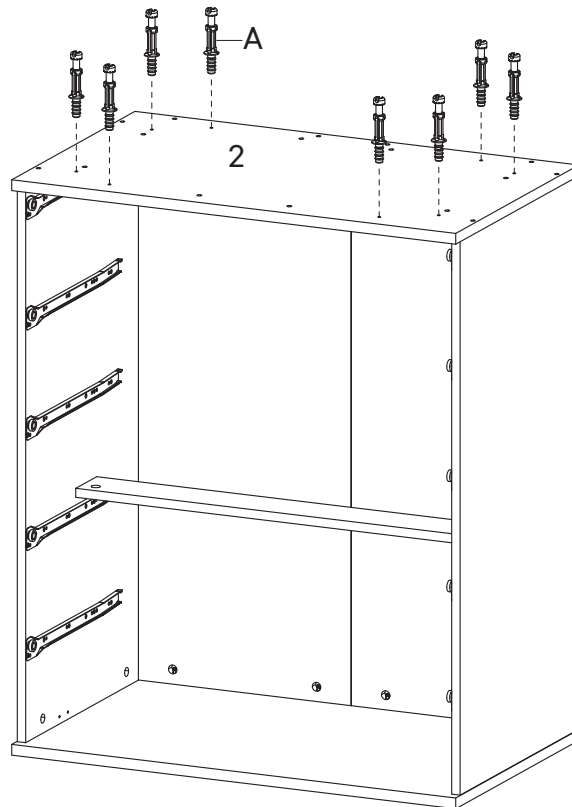
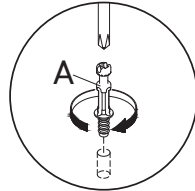
2 Bottom Board x1



Step 11

HARDWARE

- A** Cam Bolt $\varnothing 6 \times 35$ mm x8



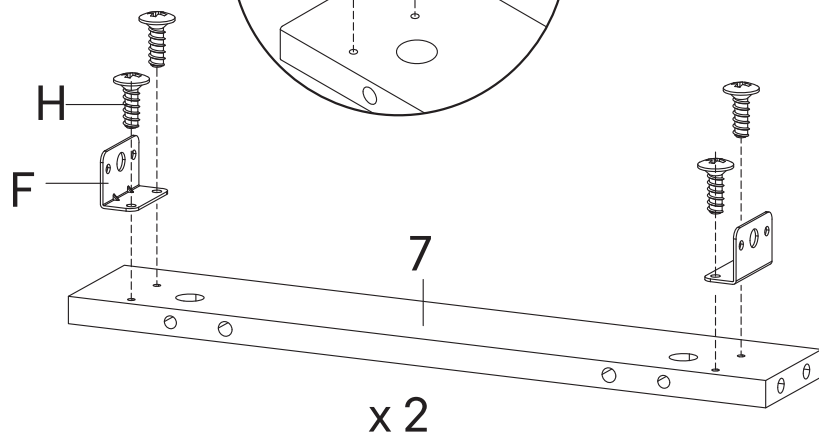
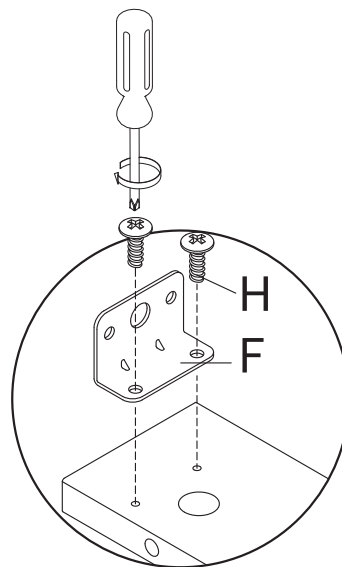
Step 12

HARDWARE

- F** Bracket x4
- H** Screw M 4.5 x 12.5 mm x8

COMPONENTS

- 7** Bottom Skirt 2 x2



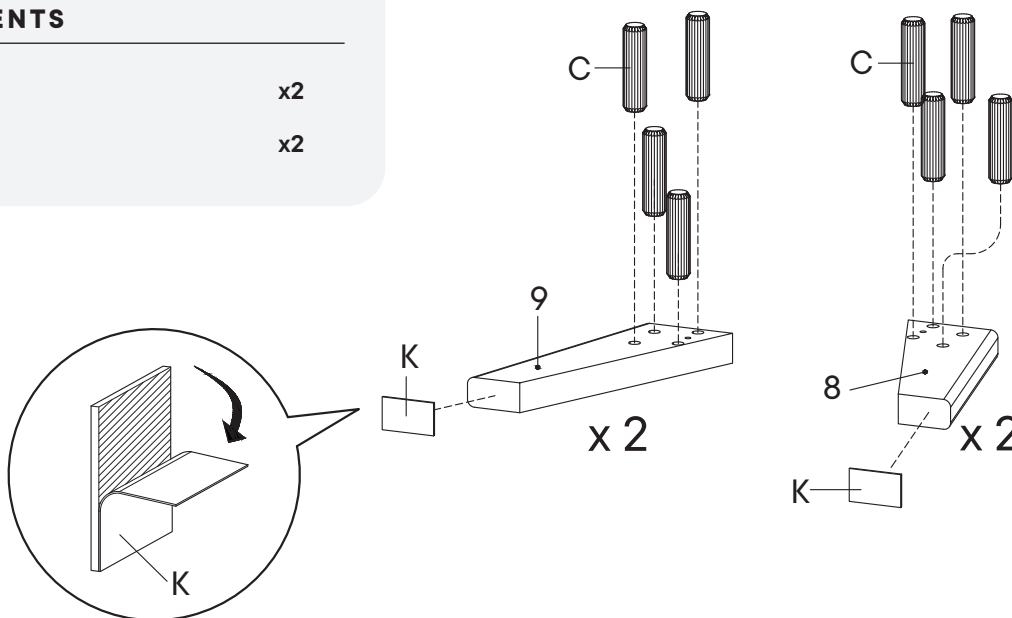
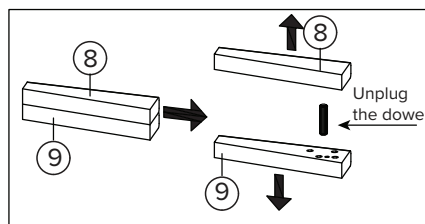
Step 13

HARDWARE

- C** Wood Dowel Ø8 x 30 mm x16
- K** Floor Protector x4

COMPONENTS

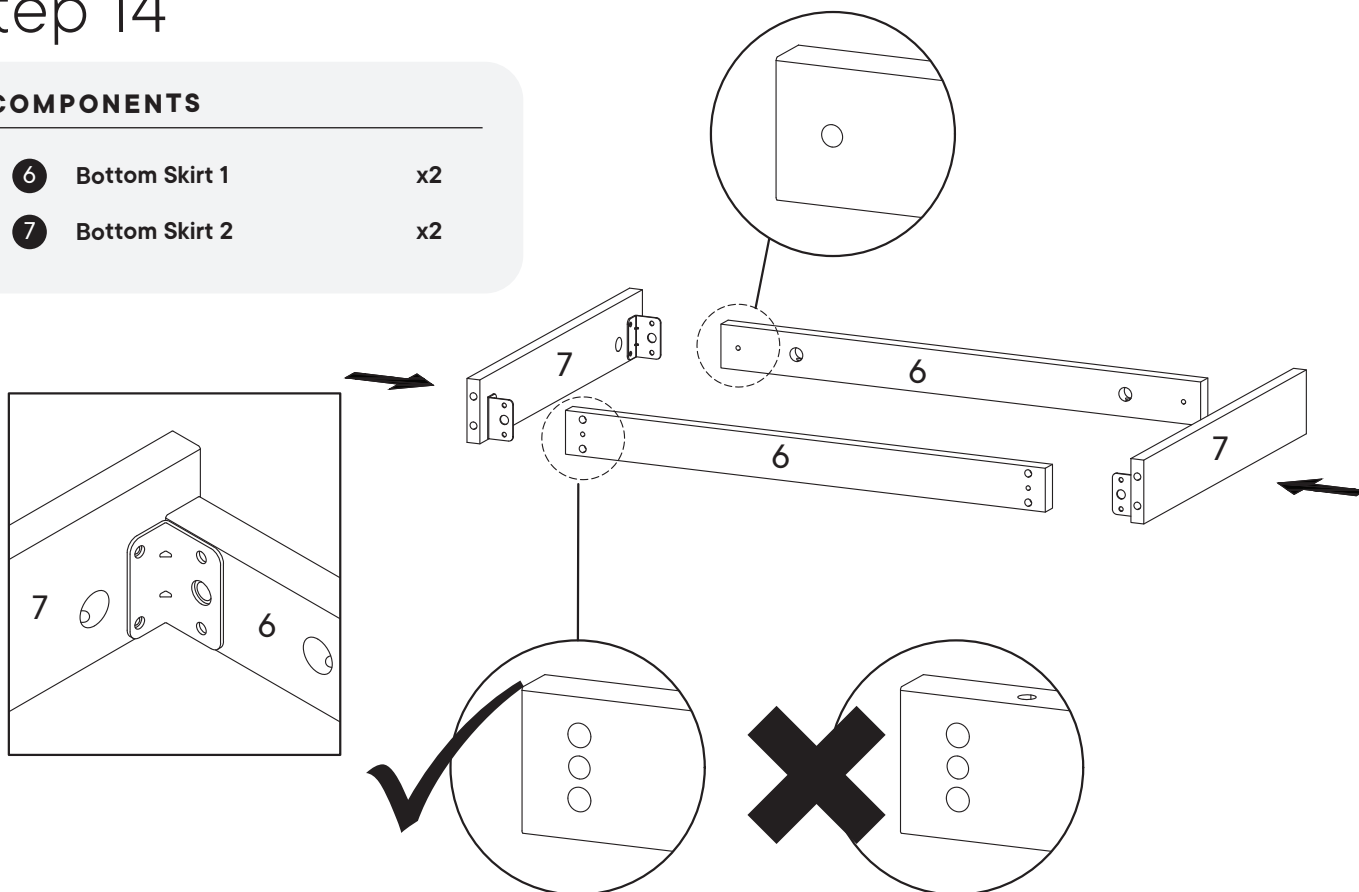
- 8** Leg 1 x2
- 9** Leg 2 x2



Step 14

COMPONENTS

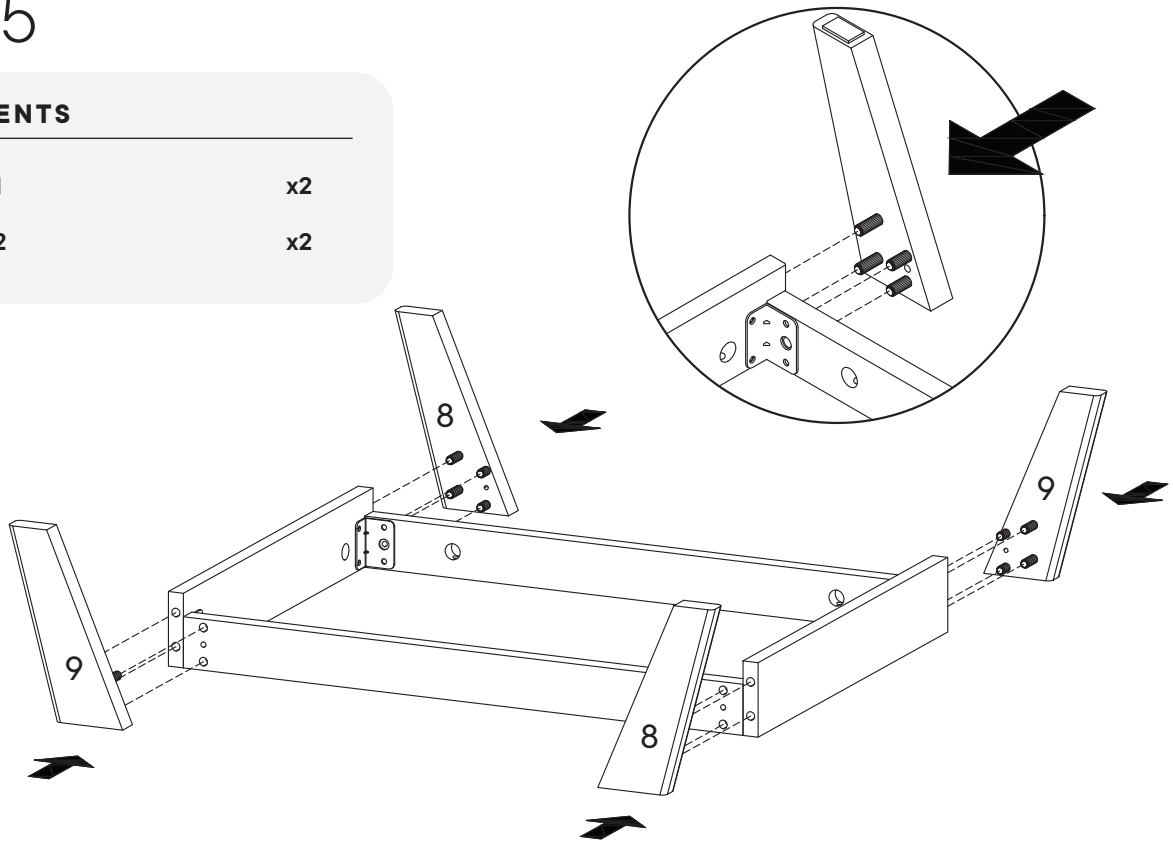
- 6** Bottom Skirt 1 x2
- 7** Bottom Skirt 2 x2



Step 15

COMPONENTS

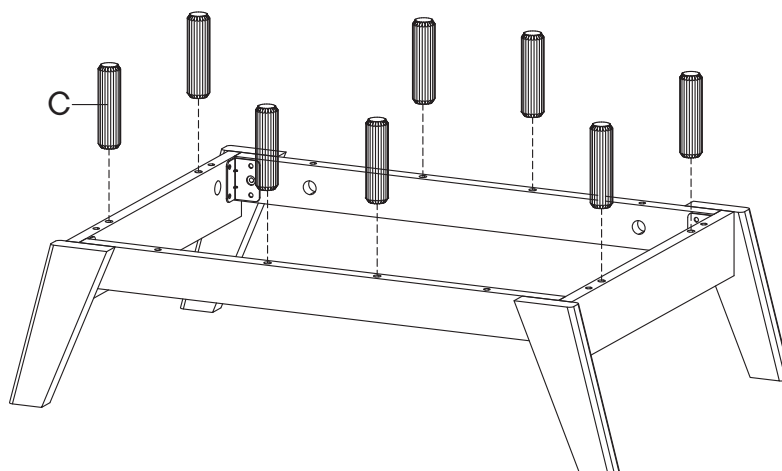
- 8 Leg 1 x2
- 9 Leg 2 x2



Step 16

HARDWARE

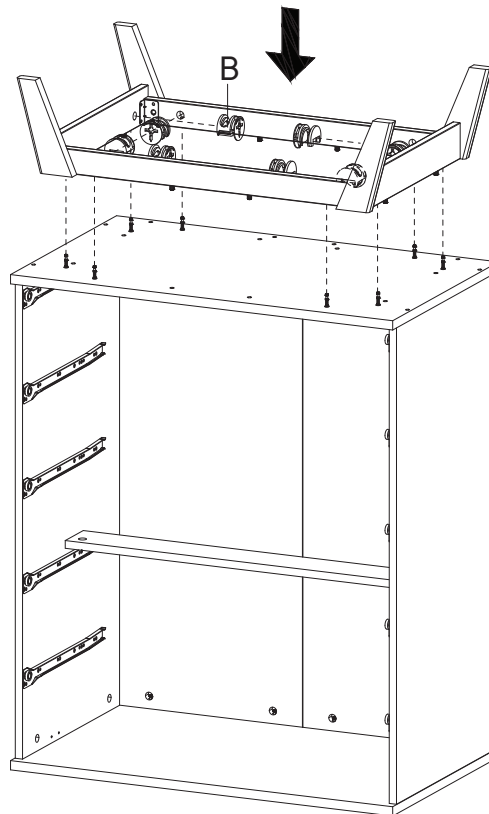
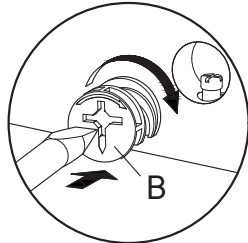
- C Wood Dowel Ø8 x 30 mm x8



Step 17

HARDWARE

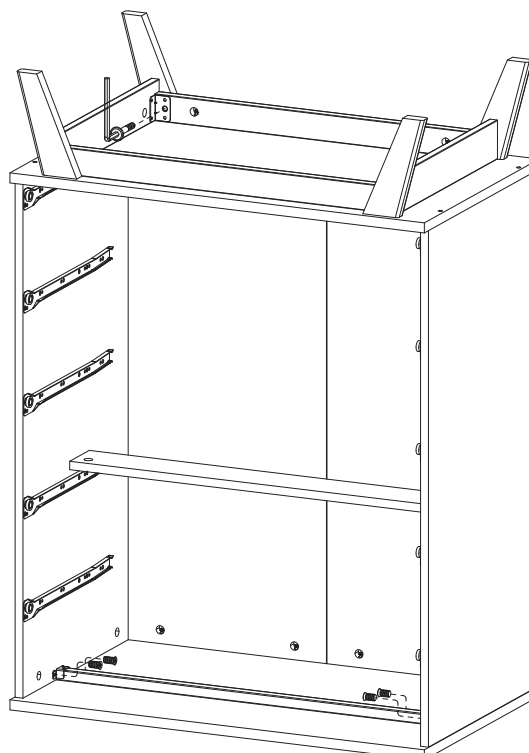
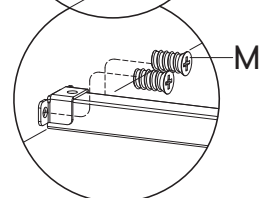
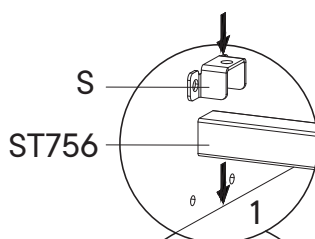
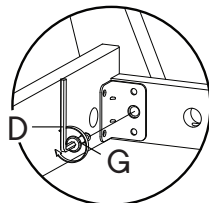
- B** Cam Lock Ø15 mm x8



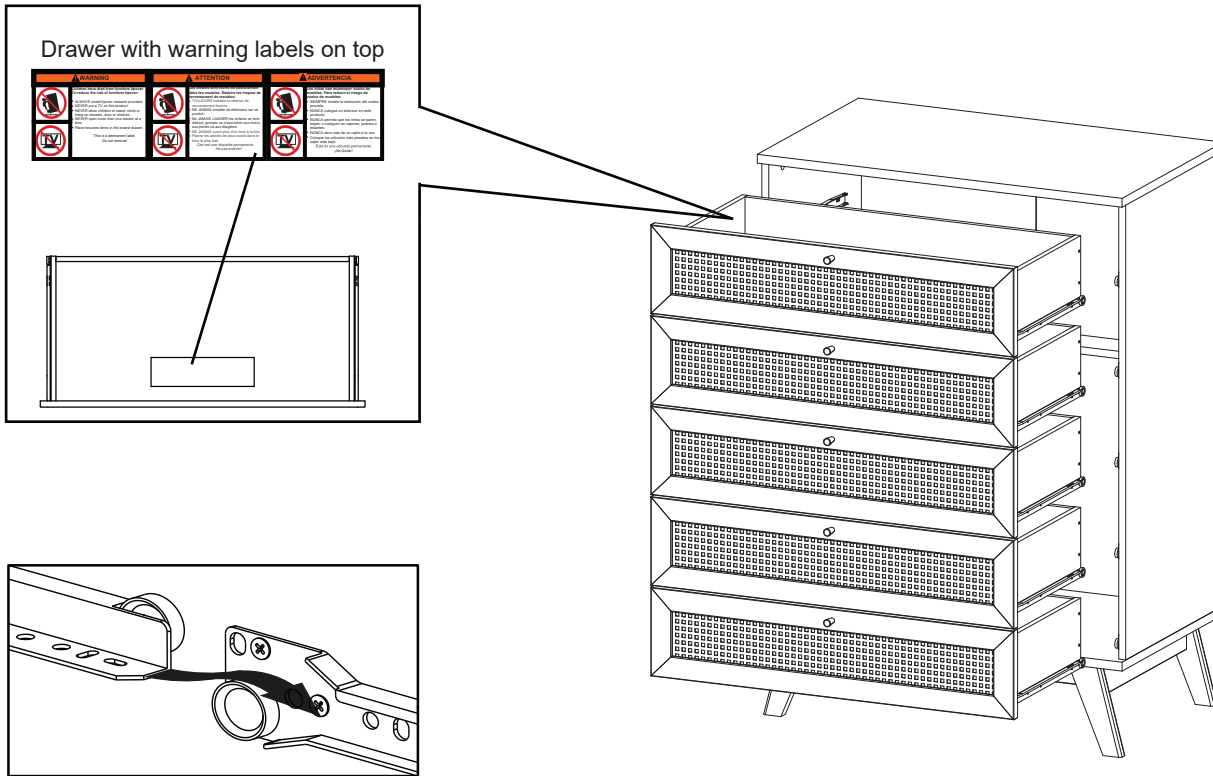
Step 18

HARDWARE

- D** Allen Key x1
- G** Screw M 6.4 x 35 mm x4
- M** Screw M 6 x 10.5 mm x4
- S** Bracket x2
- ST756** Anti-Deflection Bar x1



Step 19



Great job!

Chest Drawers assembly is complete.

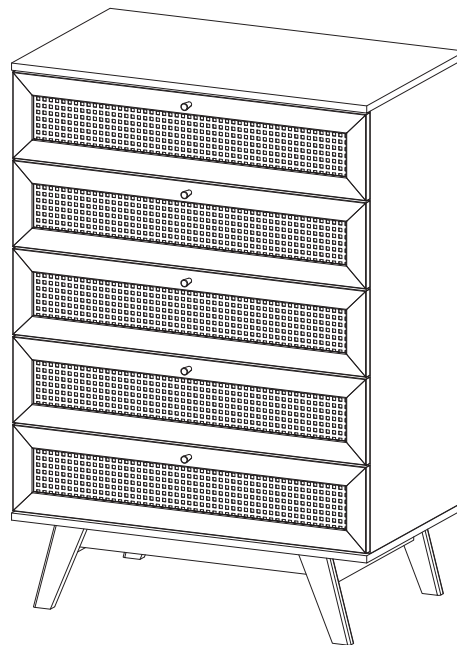
CARING FOR YOUR ITEM

Indoor use only.

Not contract grade.

Clean using a non-abrasive cloth and a mild cleaner.

Never use harsh chemicals, as they could damage the finish or integrity of the item.



CONNECT WITH US!

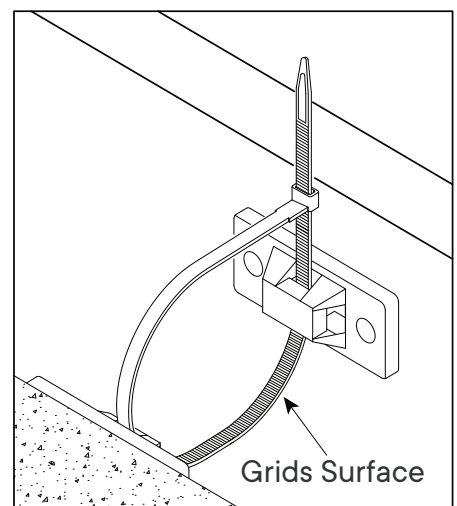
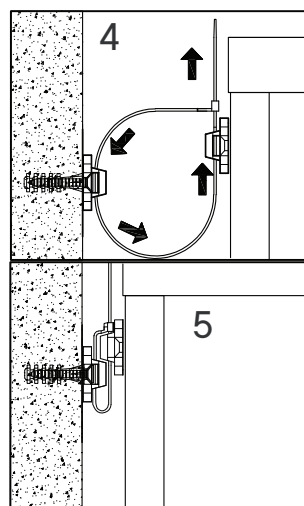
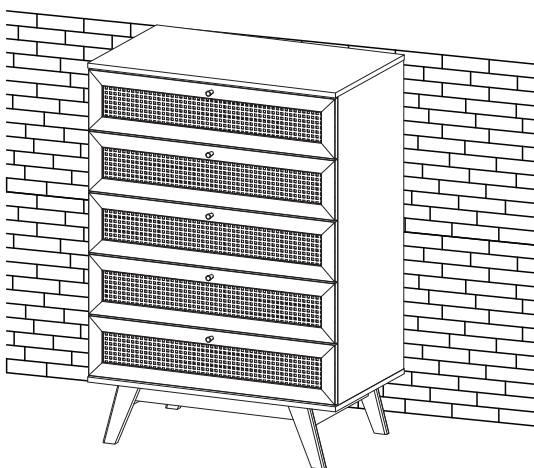
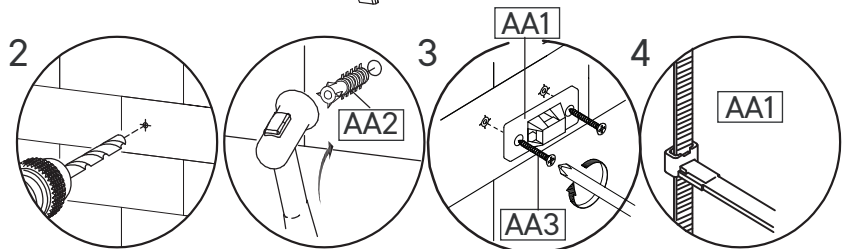
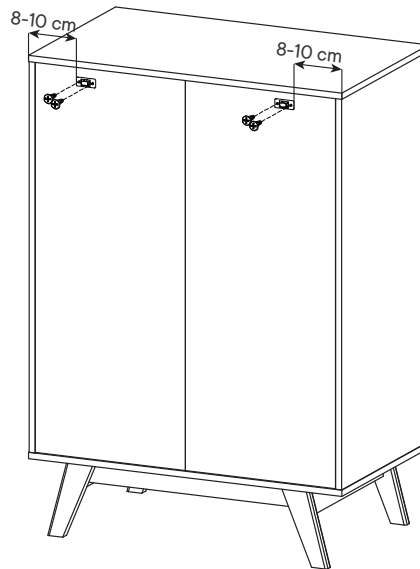
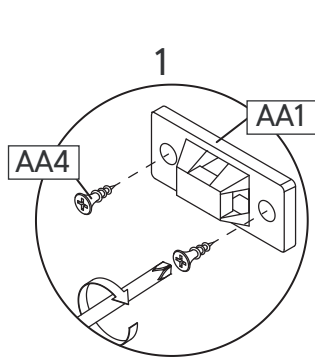
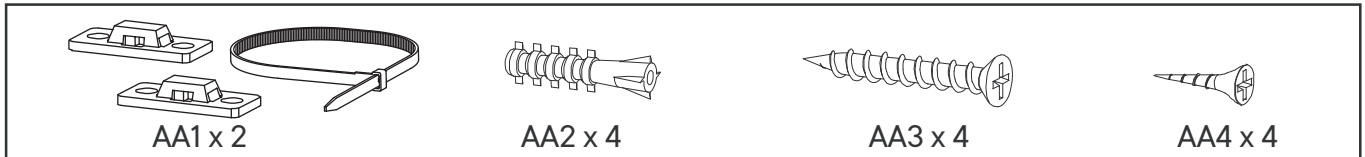
Tag us @modway_furniture and #modway for a chance to be featured.

TIPPING RESTRAINTS KIT INSTALLATION GUIDANCE

Different wall materials require unique wall fasteners.

The wall plugs (AA2) and screws (AA3) are designed for fixing to concrete walls only.

Please consult your local hardware store to ensure you are using the correct hardware for you wall type.



Installation Instructions :

1. Attach bracket (AA1) securely to the back top of the furniture using screw (AA4) provided. Allow 8 - 10 cm from each side.
2. Please make a hole for wall plugs position on the wall and minimum 15 mm below bracket secured to the back of unit attach the wall plugs (AA2).
3. Locate the other bracket (AA1) on the wall over wall plugs (AA2). Place furniture into position so both brackets (AA1) are vertically in the line.
4. Lace the end of the restrains strap through the larger hole in each bracket. Ensure the restrains strap with grids surface facing the inner loops. Bring both ends together and slide the flat end through the locking end and draw it through until all slack is removed.
5. Make sure that the strap is securely laced & locked.