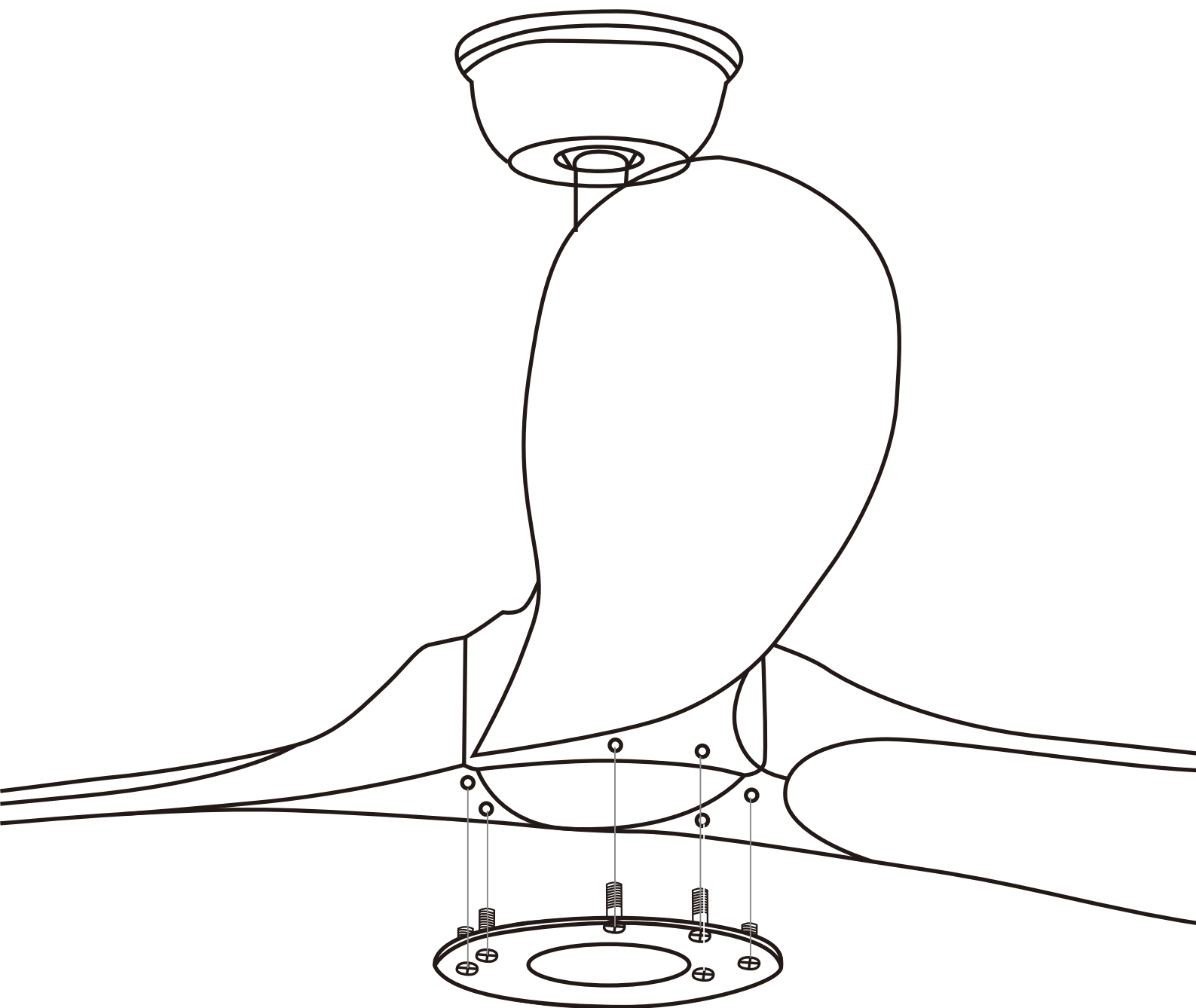


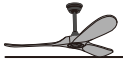
Ceiling Fan
Installation Instruction

Installation Special Reminder



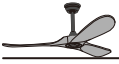
Before installing the fan blade, make sure that the iron ring (red) is covered. On the fan blade, tighten the screws.

Don't fix fan blades with screw directly. Because screw is long, if you fix fan blades with screws directly, it will break the copper core of motor .



Catalog

SAFETY INFORMATION	02
PRE-INSTALLATION	02
PARTS LIST	03
INSTALLATION INSTRUCTION	04
OPERATION INSTRUCTION	08
SPECIFICATIONS	09
TROUBLESHOOTING	10



SAFETY INFORMATION

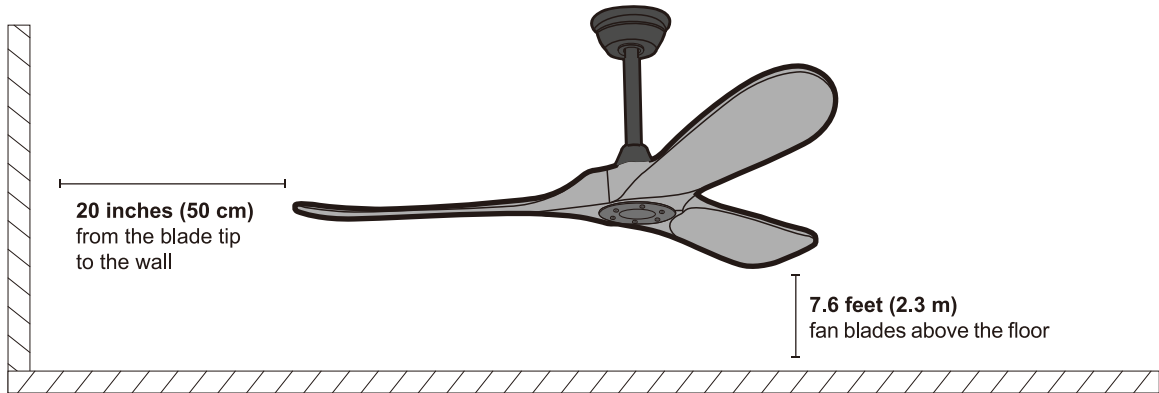
Please read and understand the safety instructions before installing the ceiling fan. Keep the manual for future reference.



WARNING

- Before connecting the power supply, ensure that the power supply matches the specifications of the ceiling fan.
- All wiring must comply with national and local electrical codes ANSI/NFPA70. If you are not familiar with wiring, please hire a qualified electrician.
- To reduce the risk of fire or electric shock, turn off the power to the fuse box or circuit breaker before installing the fan.
- To reduce the risk of personal injury, securely attach the fan to the building's support structure, ensuring it can withstand at least 35 pounds (15.9 kg) of weight.
- Make sure the installation location allows the fan blades to rotate freely without any obstructions.

Installation Location



WARNING

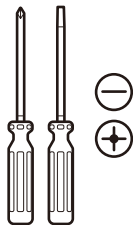
- Do not install the fan with wet hands.
- Do not insert foreign objects between the rotating fan blades.
- Do not bend the fan blades when installing or cleaning the fan.
- Do not disassemble or modify this product or use non-original parts without permission.
- Keep children away from your work area.
- Properly dispose of the fan's packaging materials.
- Ensure that the ceiling fan is securely and firmly attached to the ceiling. Double-check all connections before restoring power.
- Turn off the fan and wait for the blades to stop completely before performing any maintenance or cleaning tasks.

PRE-INSTALLATION

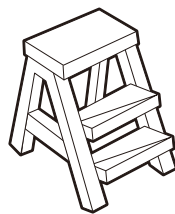
Tools Required (Not Included)



Power Drill



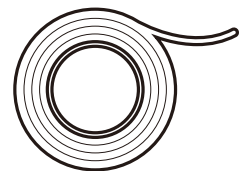
Screwdriver



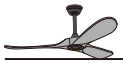
Step Ladder



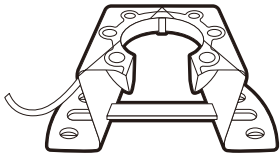
Wire Stripper



Electrical Tape



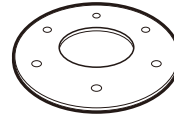
Parts List



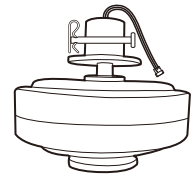
Mounting Bracket X 1



Canopy X 1



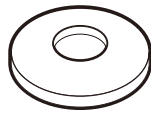
Iron Ring X 1



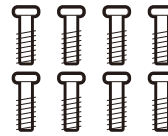
Motor X 1



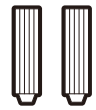
Coupling Cover X 1



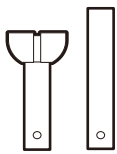
Canopy Cover X 1



Blade Screw X 8



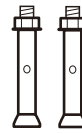
Aircraft Cap X 2



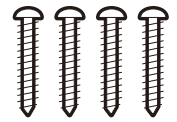
Downrod X 2



Remote Bracket Screw X 2



Expansion Bolt X 2



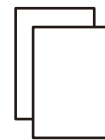
Self-tapping Screw X 4



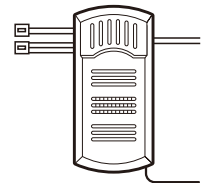
Fan Blade X 3



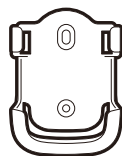
Wire Caps Screw Terminals X 3



Balance Kit X 2



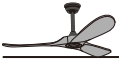
Receiver X 1



Remote Control Bracket X 1

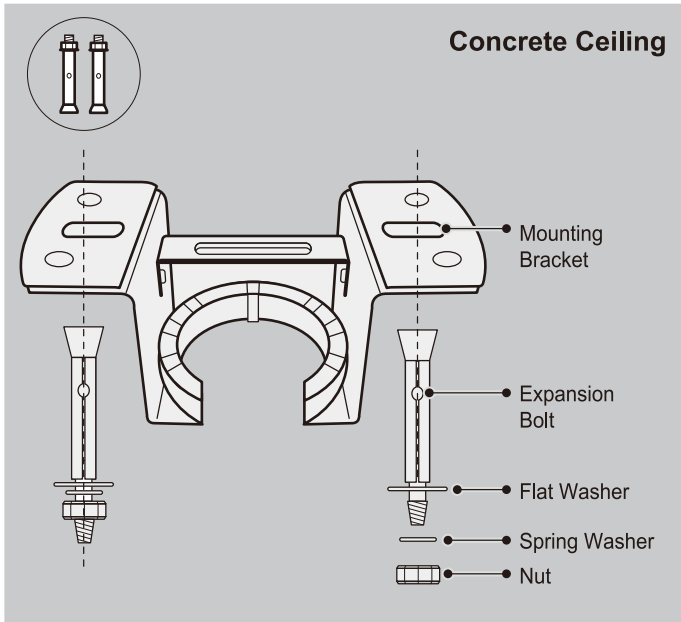


Remote Control X 1

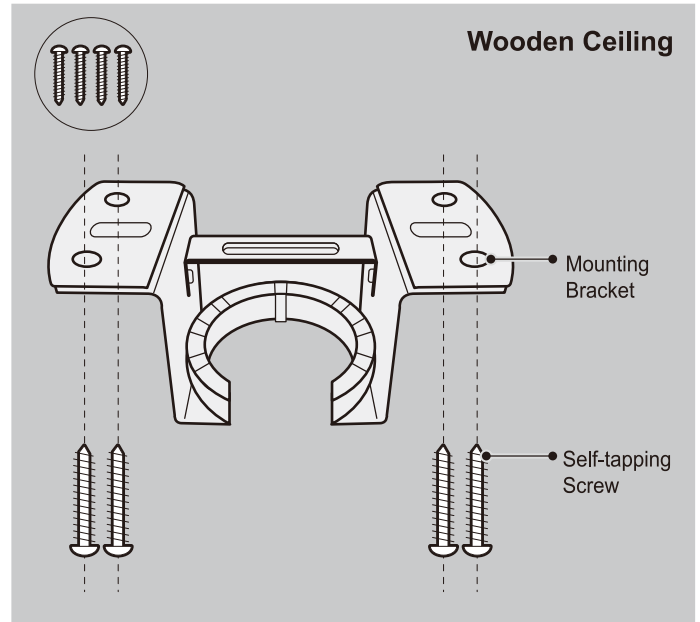


INSTALLATION INSTRUCTION

Step 1: Mounting Bracket Installation

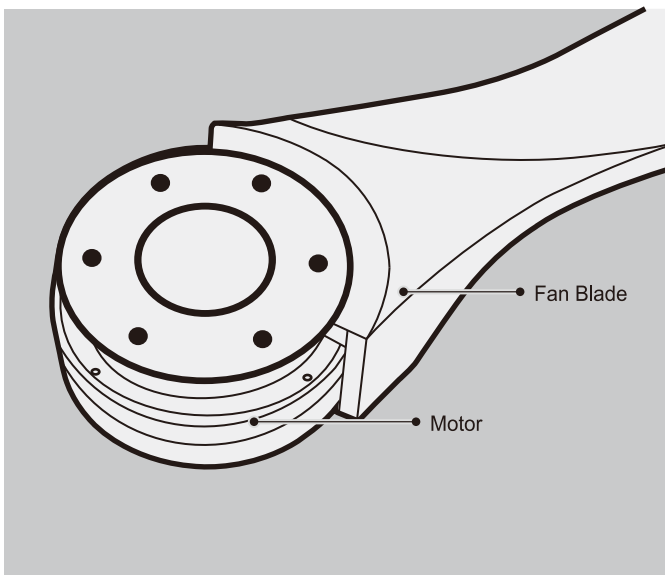


1. Drill holes with electric drill ($\phi 8$ mm).
2. Use expansion screws to fix the mounting bracket to the ceiling.



Fasten the mounting bracket to the ceiling with self-tapping screws.

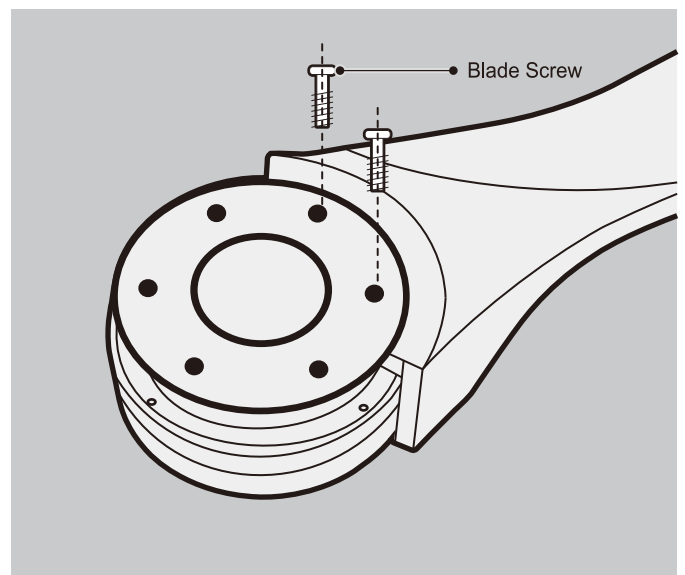
Step 2: Fan Blade Installation



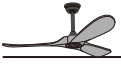
- 1 Clamp the fan blade under the triangular cover and fix the fan blade to the motor with screws and gaskets.

Note:

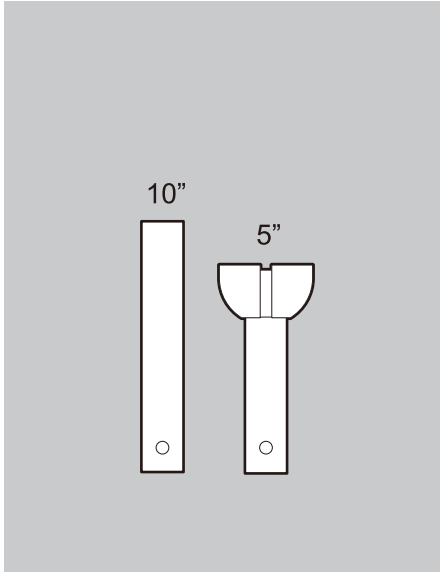
- The fan blade needs to be aligned with the "center" position of the screw hole group.
- Do not lock the screws when installing the blades and then tighten all the screws after all the fan blades are installed.



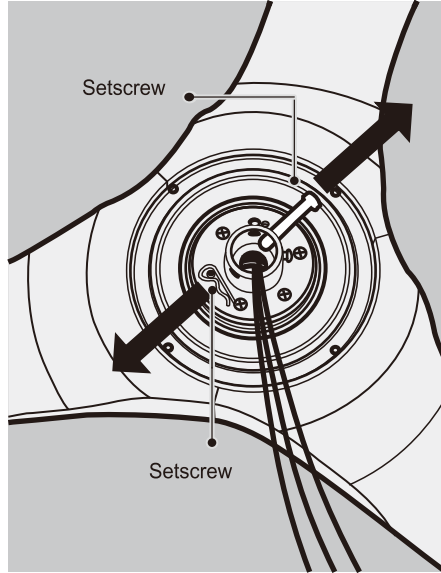
- 2 Loosen the screws of the upper triangular cover of the motor with an electric drill.



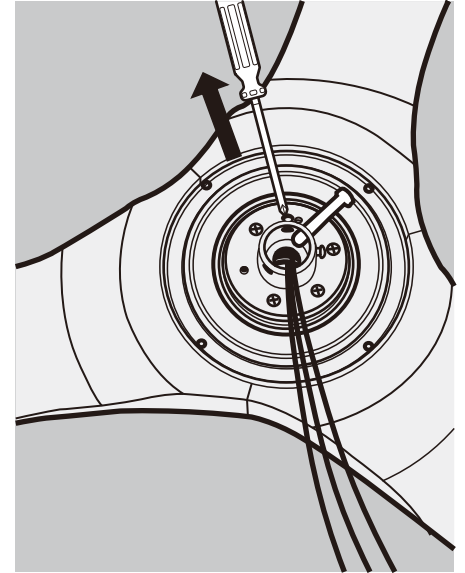
Step 3: Downrod Installation



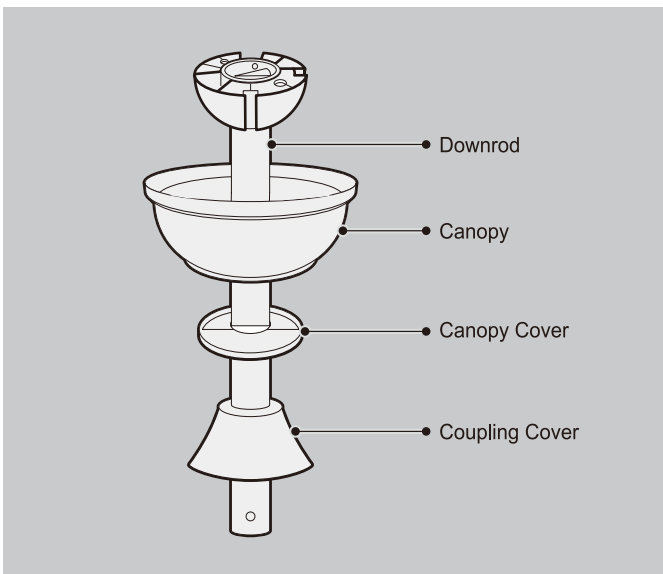
- 1 The height of the 42" boom is (5"/10"/14")
- The height of the 52" boom is (5"/10"/18")



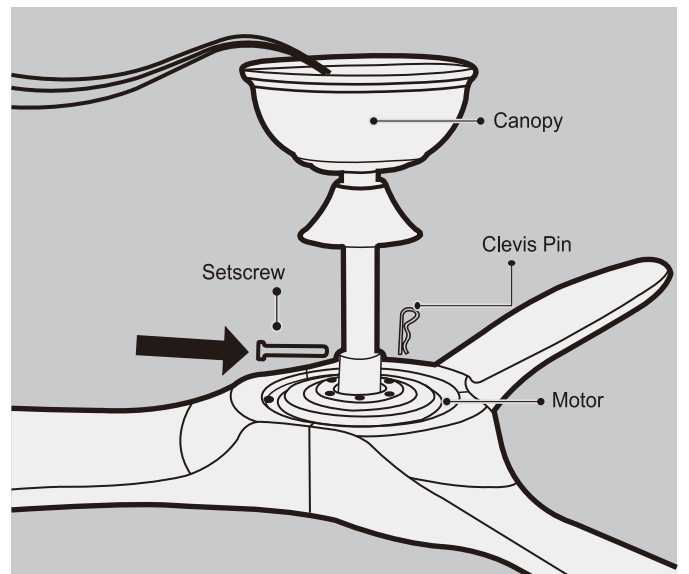
- 2 Take out clevis pin on the motor.



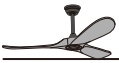
- 3 Loosen the screws on the motor, and do not take them out completely.



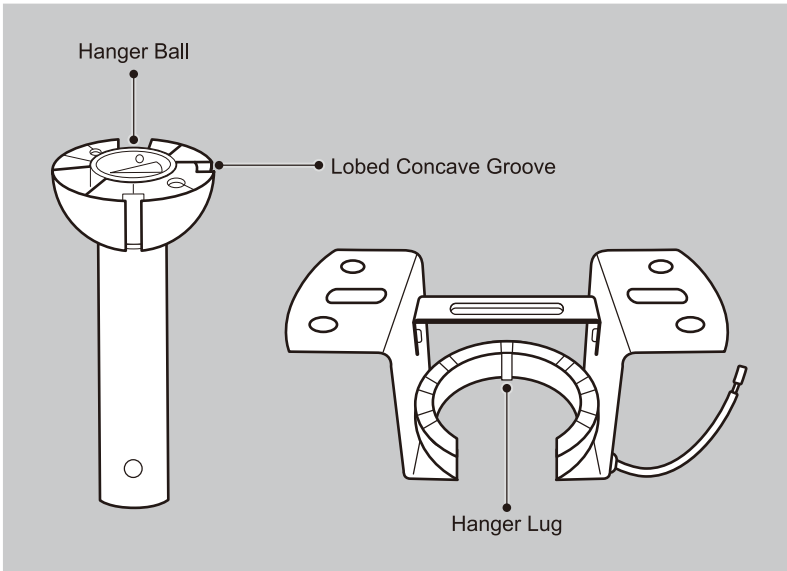
- 4 Assemble the canopy, canopy cover and coupling cover to the downrod in turn.



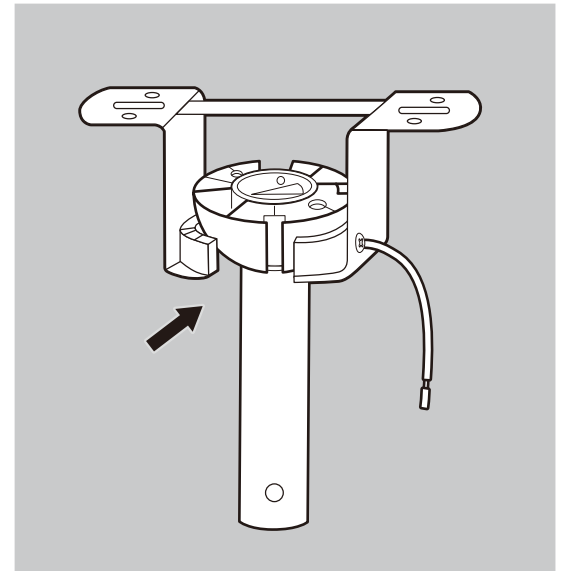
- 5 Thread the motor wire through the lower pull rod, lock the setscrew with the clevis pin, and tighten the motor screw.



Step 4: Installation of the Assembled Fan



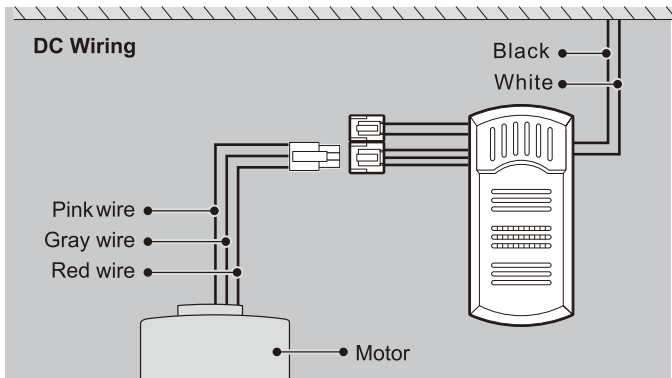
1 Lift the assembled fan onto the mounting bracket.



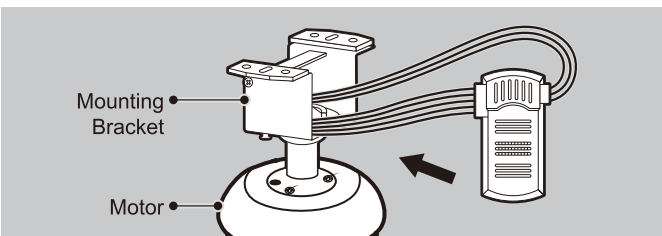
2 Ensure the concave groove of the hanger ball is positioned on the hanger lug of the mounting bracket.

Step 5: Wiring Instruction

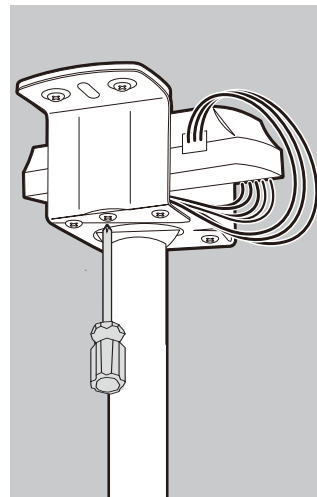
Shut off the power to the fuse box or circuit breaker before wiring.



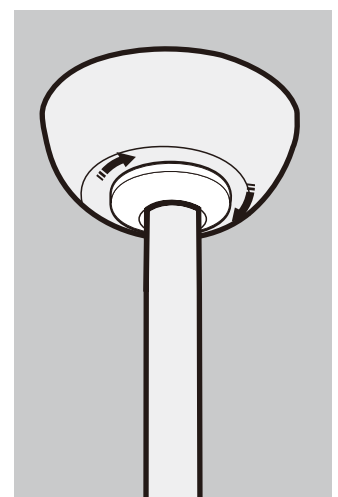
1 The receiver is connected to the motor power cord and the ceiling power cord respectively.



2 Put the receiver into the mounting bracket.



3 Cover the receiver and power cord and tighten the screws.



4 Decorative cover on, rotate, tighten.

Note:

Connect wires color to color, plug to plug.



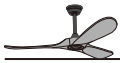
Live Wire



Neutral Wire

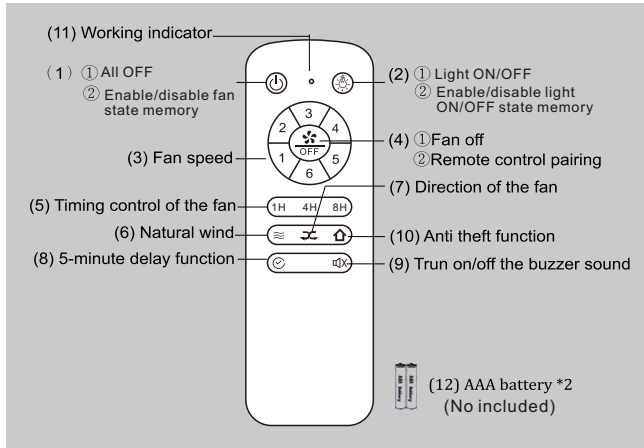


Ground Wire



OPERATION INSTRUCTION

Control Method



All OFF:

- ⊗ Turn OFF the Fan and Light together.
- ⊗ Press and hold the key for 2-3 seconds. The buzzer will ring two times to activate/deactivate the memory of the state before power-off for the fan.

Light ON/OFF:

- ⊗ Press the key to turn on or turn off the light.
- ⊗ Press and hold the key for 2-3 seconds. The buzzer will ring two times to activate/deactivate the memory of the state (on or off) before power-off for the light. (Just remember the state of the light, not the light's color temperature. Please refer to the "P10 Trouble shooting" for the color temperature memory program for the light.)

Fan speed:

- ⊗ Press keys 1-6 to adjust the fan speed.

Fan OFF / Remote control pairing:

- ⊗ Turn OFF the fan.
- ⊗ For remote control pairing, press and hold the button for 3-5 seconds within 30 seconds of powering on. The buzzer will ring three times to confirm the pairing is complete. Note: The remote controller only needs to be paired once. After pairing, it will retain memory. Products are pre-paired at the factory. If the remote control is damaged or lost, pairing with a new remote control is necessary before use.

Timing control of the Fan:

- ⊗ Press the 1H/4H/8H keys to set the fan timer for 1, 4, or 8 hours. The fan will automatically turn off when the timer ends. During the timing function, all functions of the ceiling fan can be operated. To cancel the timer setting, press key(1) or key(7) while the timing function is active.

Natural wind:

- ⊗ Press the key to activate the natural wind mode, which automatically adjusts the fan speed between levels 1 and 6.

Direction of the fan:

- ⊗ Change the direction of the fan using the appropriate controls.

5-minute delay function:

- ⊗ Press the key to activate the 5-minute delay function for the light, after which it will automatically turn off.
- ⊗ Note: After the delay, the fan remains unchanged. This function is primarily for pre-sleep lighting delays. If used before leaving, you'll need to manually turn off the fan with 'Fan OFF'.

Turn ON/OFF the buzzer sound:

- ⊗ Press the key to toggle the buzzer sound on or off.

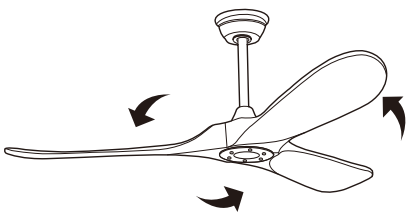
Anti-theft function:

- ⊗ Press the key to activate or deactivate the anti-theft function, which automatically turns on the fan and light for 10 minutes every 4 hours.

AAA battery (2):

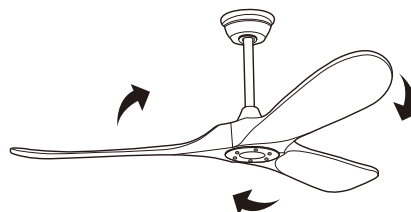
- ⊗ Install 2 AAA batteries before use.
- ⊗ Remove the batteries when not in use for an extended period.

Reversible Function



Summer (Forward):

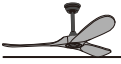
A downward airflow creates a cooling effect.



Winter (Reverse):

An upward airflow increases the indoor temperature.

PS: If you want to change the fan's rotation direction, please press the button while the fan is running.

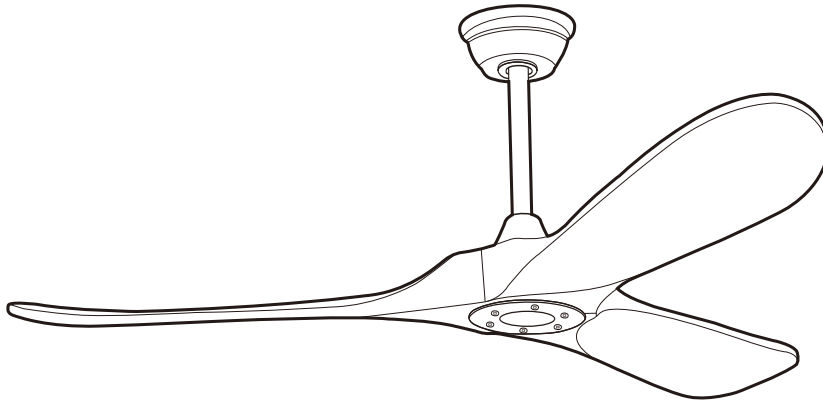


Timing Control

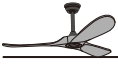
- 1H: The fan will automatically shut off after 1 hour.
- 4H: The fan will automatically shut off after 4 hours.
- 8h: The fan will automatically shut off after 8 hours.

Close the Timing Control: Press the button "FAN ON/OFF"

SPECIFICATIONS



Product Name	Ceiling Fan			
Rated Voltage	100V-240V			
Size	42-inch	52-inch	60-inch	72-inch
Motor Power	35W	35W	40W	45W
Control Method	Remote Control			
Fan Blade	3 solid wood fan blades			



TROUBLESHOOTING

If there is a problem with the fan during use, please check the following tips for solutions. If the problem still cannot be solved, please contact our after-sales team.

The Fan Does Not Respond to the Remote Control.

- Check that all wire connections are correct and secure.
- Verify that the power is turned on and reaching the receiver.
- Verify that the batteries of the remote control are installed with the correct polarity, making sure to install the + (positive) end of the batteries on the solid end and the - (negative) end on the spring.

The Fan Makes a Humming Noise.

- Make sure the controls you use are supplied with your fan.
- Make sure all accessories are securely fastened. Loose parts often cause a vibrating noise or buzzing sound.
- Disassemble the fan and reinstalling it can sometimes remedy this resonant vibrating noise.

The Fan Makes a Repetitive Ticking Noise.

- Check for obstructions in the rotor path.
- Make sure mounting hardware at the ceiling is firmly fastened.
- Make sure all other hardware and blade attachments are tight.
- Give the fan a "Break in Period" of a few hours to a few days, then repeat the steps above.

The Fan Wobbles.

- Make sure the mounting plate and hardware at the ceiling are firmly fastened.
- Make sure all screw fittings on the fan are tight.
- If necessary, use the self-tapping screws provided to further secure the bracket to the joist.

Warning sound.

- In the case of a motor fault, a buzzer is typically used to emit a warning sound. When the motor lacks a phase, meaning that one of the phases is not functioning properly, the buzzer will emit a continuous single beep as a warning. This indicates that the motor is unable to operate correctly.
- If the motor gets stuck and cannot rotate, the buzzer will emit a continuous double beep as a warning. These warning sounds are intended to alert users to the abnormal conditions of the motor and prompt them to perform necessary repairs or inspections.