

# ASSEMBLY INSTRUCTIONS

**WARNING: TO AVOID RISK OF ELECTRICAL SHOCK, BE SURE TO SHUT OFF POWER WHILE INSTALLING OR SERVICING THIS FIXTURE.**

- 1) Place the crown (A) upside down on a flat surface as shown in Diagram 1.
- 2) Unscrew the loop from the socket assembly and pull the wires through the crown. Re-attach the loop onto the socket assembly. (Diagram 2)
- 3) Install bulbs into bulb sockets.
- 4) Attach large panels (B) to each side of the crown (A) and tighten securely with the wing nuts (D). (Diagram 1)
- 5) Insert small panels (C) to each end of the crown (A) and tighten securely with the wing nuts (D). Secure the small panels to the large panels using the column nuts. (Diagram 3)
- 6) Turn the shade over and hook on chains to secure it to the canopy (Diagram 4)

**FOR RETURN SHIPPING PURPOSES: PLEASE RETAIN ORIGINAL PACKAGING TO MINIMIZE DAMAGE.**

Weave the wire through the chain and canopy to mount the fixture. Follow the wiring instructions on page 2.

Diagram 1

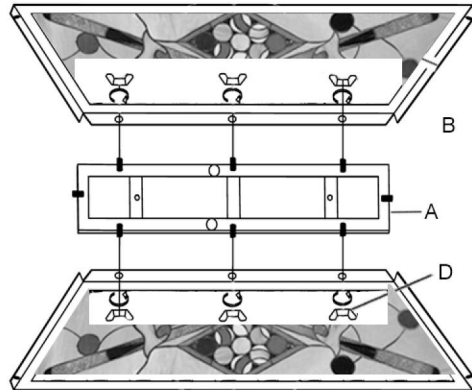


Diagram 2



Diagram 4

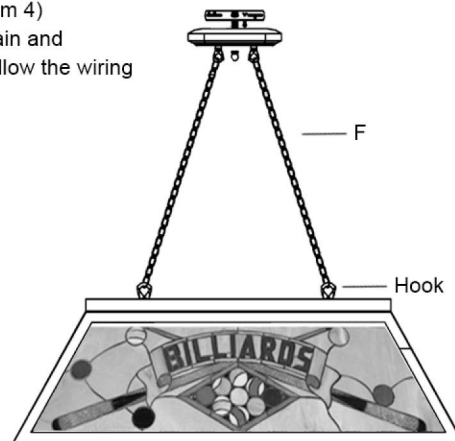
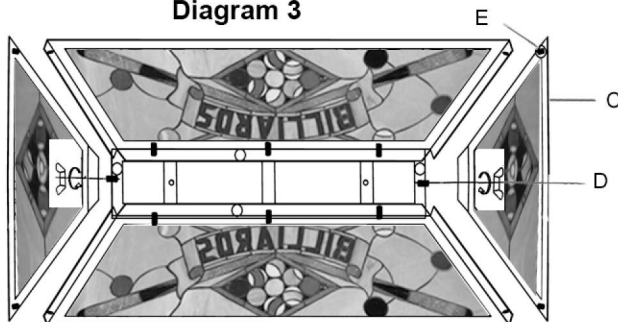








Diagram 3

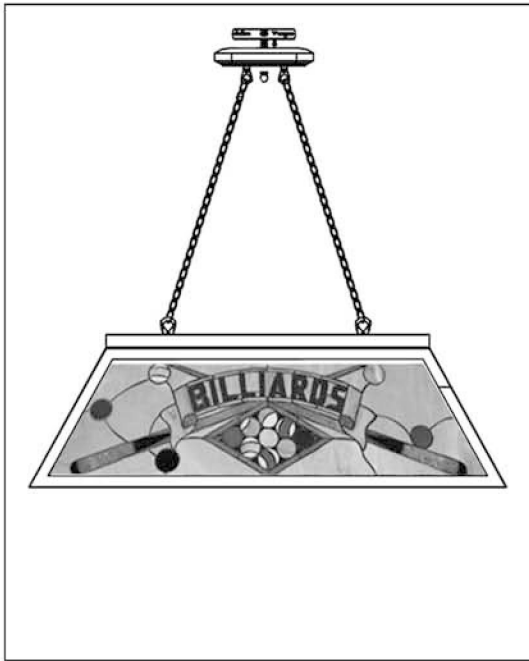


Uses (4) Maximum 100Watt, Type "A" Bulbs or (4) 23W CFL Bulbs (Bulbs not included)

## COMPONENT LIST

Item	Design	Component	Qty
A		Crown	1 pc
B		Large Panel	2 pcs
C		Small Panel	2 pcs

Item	Design	Component	Qty
D		Wing Nut	8 pcs
E		Column Nut	4 pcs
F		Chain	2 sets



## ASSEMBLY INSTRUCTIONS

### Important Safety Instructions

- . Power at the Fuse Box should be disconnected before installing this fixture.
- . The Fixture ground wire ( bare or green installed wire is NOT connected to current carrying supply wires ).
- . The insulation on any of the wires must not be damaged during installation.
- . No rough or sharp edges are in contact with any of the wires.
- . Fixture wires are connected to the proper house supply wires. We recommend professional installation by a licensed electrician.
- . Do not use light bulb(s) with wattage greater than those specified for this fixture. Power is off when installing light bulb(s) into the fixture.
- . Insure the outlet box is well mounted to the building structure and will be able to support the weight of the fixture. The use of a crossbar is recommended.

7 Important: Follow steps on page 1 before attempting the wiring instructions below.

- 8 ) Carefully unpack and layout the parts as shown in illustration and read all instructions before starting.
- 9 ) Follow numbered steps on diagram. Screw Crossbar (3) to Ceiling Outlet Box with Ceiling Screws (4), attach Threaded Rod (5) to Crossbar (3), Screw Nut (6) and Loop (7) to Threaded Rod (5).
- 10 ) Raise Canopy (8) and tighten Loop Collar (9) connect fixture chain (10) to the loop with desire length of chain (11) (12).
- 11 ) After connecting chain loosen Loop Collar (9) and lower Canopy (8) over chain.
- 12 ) Thread Fixture Wires (13) through Chain, pass Loop Collar, Canopy, Loop and Threaded Rod. Connect Supply Wire with Fixture Wire using Wire Nut Connectors (17). Please see connection procedures below:

- (I) Connect the positive smooth wire (+) of the fixture with Black supply wire with wire nut connector (17). Screw the connector clockwise until you feel a firmness.
- (II) Connect the negative ribbed wire (-) from the fixture to the white supply wire from the outlet box in the same manner.
- (III) Try gently to pull the connector off the wires. If you can pull the connector off, carefully re-do the step above, and check again for a firm connection.
- (IV) Separately wrap the wires connections using electrical tape one inch below and include the connector.
- (V) If your outlet box is provided with a grounding wire ( green or bare copper only ), attach this wire and the bare copper wire from the fixture to the green ground screw by wrapping both wires under the head of the screw and tightening screw. If outlet box is not provided with grounding wire, attach only the bare copper wire from the fixture to the green grounding screw. Tuck all wires into Ceiling Outlet Box.

- 13 ) Secure Canopy, by screwing Loop Collar onto Loop.

