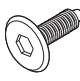

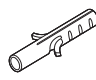
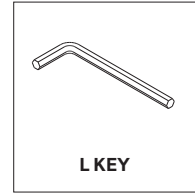


## RIBBON SHELF ASSEMBLY INSTRUCTIONS FOR SHELF INSTALLATION

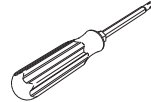
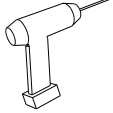
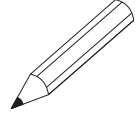
### HARDWARE ENCLOSED

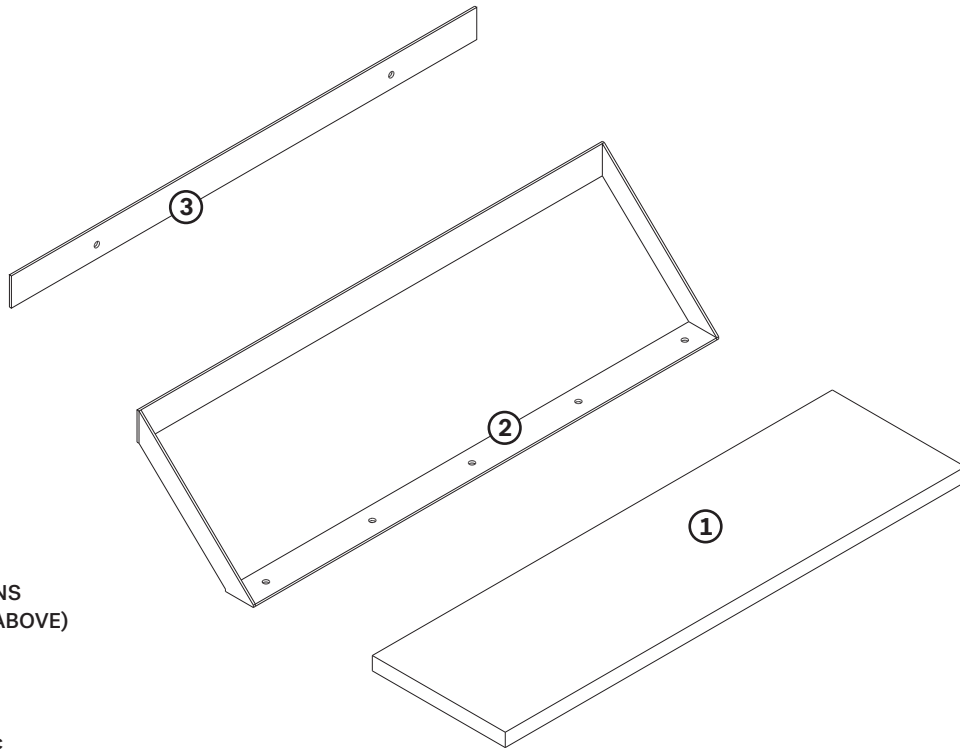
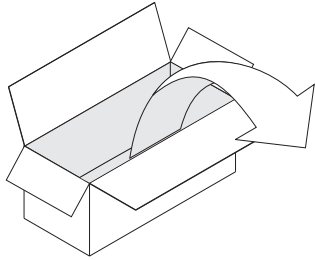
 <p><b>JCBC SCREW</b> (5 pcs) M5x16</p>	 <p><b>WOOD SCREW</b> (2 pcs) M5x50</p>	 <p><b>WALL PLUG</b> (2 pcs)</p>
--	--	---

### TOOL (Included in package)



### TOOLS (Not included in package)

 <p><b>SCREWDRIVER</b></p>	 <p><b>DRILL</b></p>
 <p><b>PENCIL</b></p>	



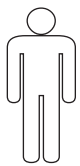
**IN YOUR PACKAGE :**  
ASSEMBLY INSTRUCTIONS  
HARDWARE (AS LISTED ABOVE)

- PARTS TO BE INSTALLED**
1. WOODEN PANEL 1pc
  2. METAL HANGING 1pc
  3. JIG 1pc

### SYMBOLS



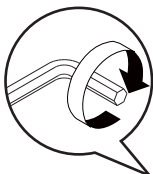
**DIRECTION**



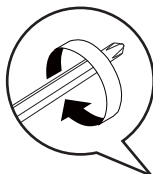
**NUMBER OF PERSON NEEDED**



**USE HAND**



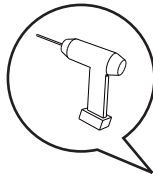
**USE L KEY TO TIGHTEN**



**USE SCREWDRIVER TO TIGHTEN**



**USE PENCIL**



**USE DRILL**

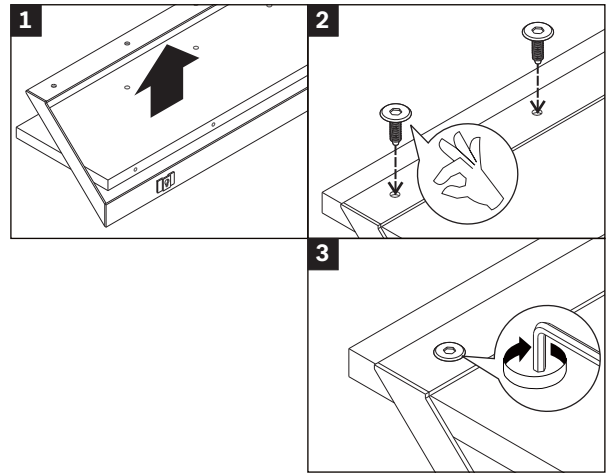
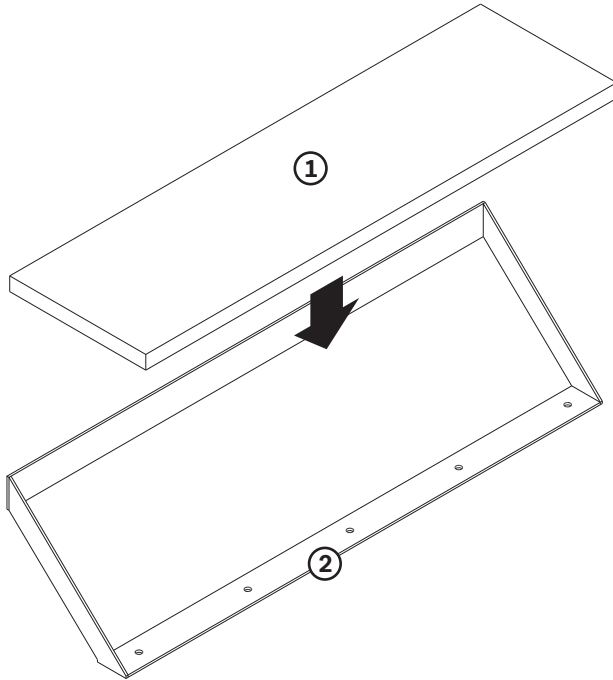
### NOTICE

	<p><b>X1</b></p>
<p><b>25kg</b> <b>MAXIMUM LOAD</b></p>	

## RIBBON SHELF

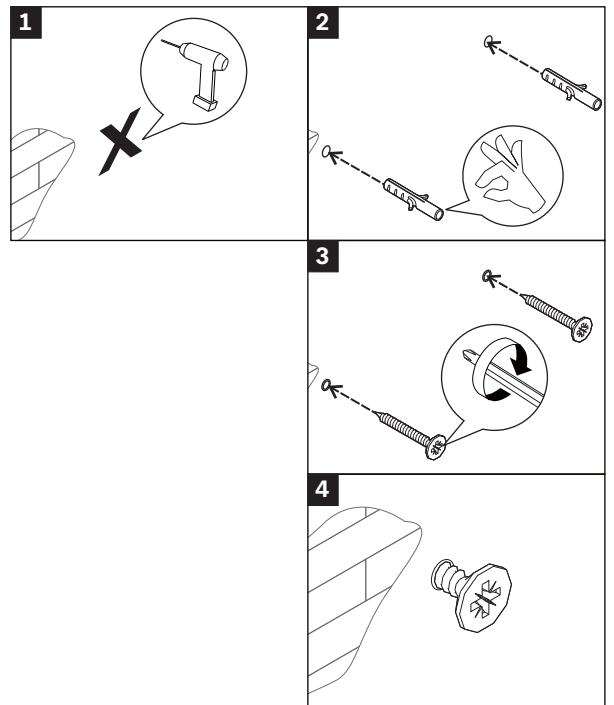
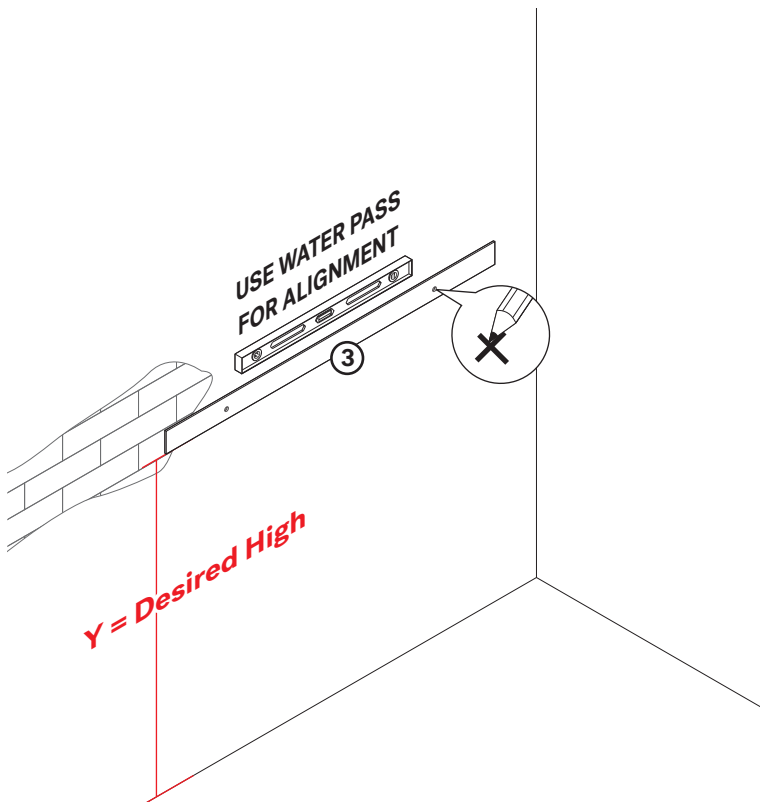
### ASSEMBLY INSTRUCTIONS FOR SHELF INSTALLATION

#### A. INSTALLING WOODEN PANEL TO METAL HANGER



- ! - USE JCBC SCREW M5x16 (5X)
- TIGHTEN FULLY

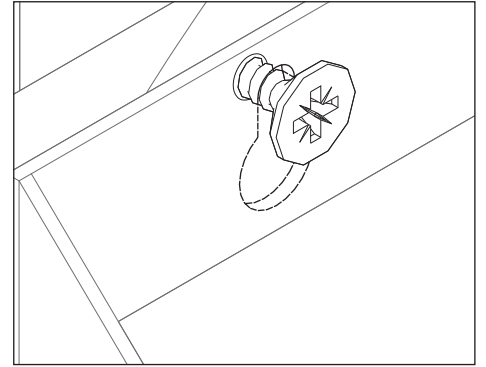
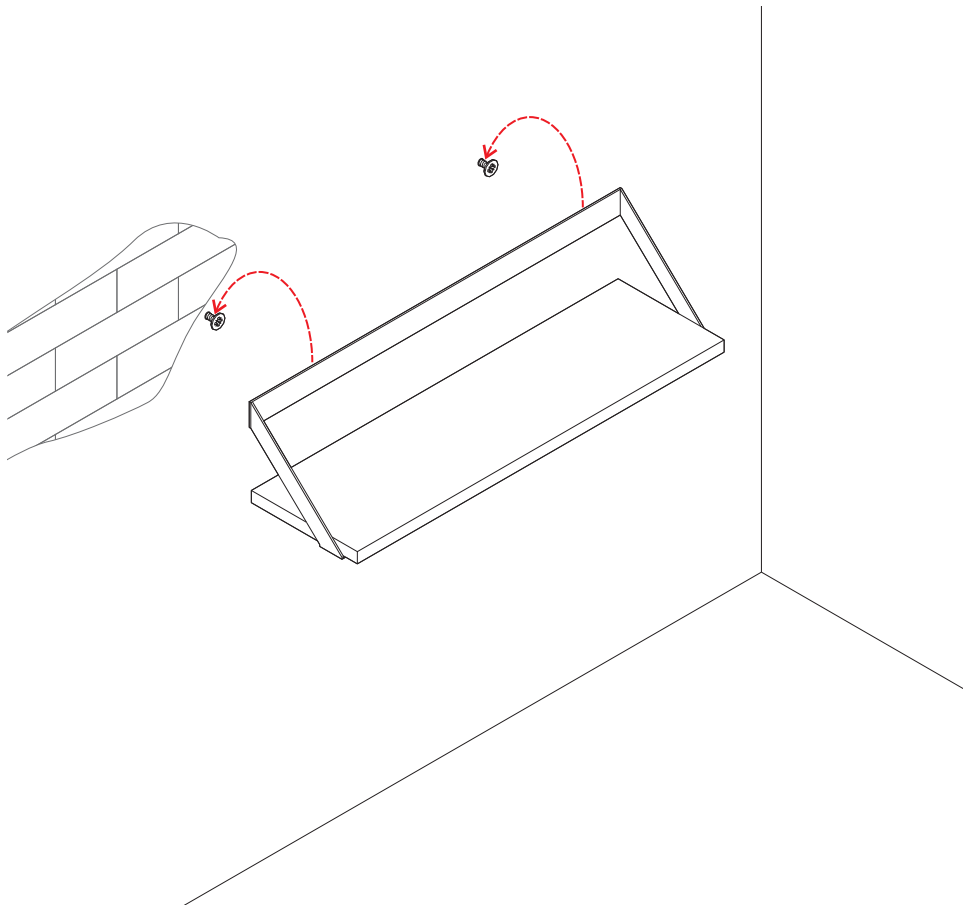
#### B. INSTALLING WALL SCREW AND WALL PLUG



- ! - AS WALL MATERIALS VARY, THE SCREW INCLUDED ARE FOR BRICK WALL. FOR ADVICE ON SUITABLE SCREW SYSTEMS, CONTACT YOUR LOCAL SPECIALISED DEALER.
- USE WALL PLUG (2X)
- USE WOOD SCREW M5x50 (2X)

## RIBBON SHELF ASSEMBLY INSTRUCTIONS FOR SHELF INSTALLATION

### C. INSTALLING SHELF TO THE WALL



### D. FINISH

