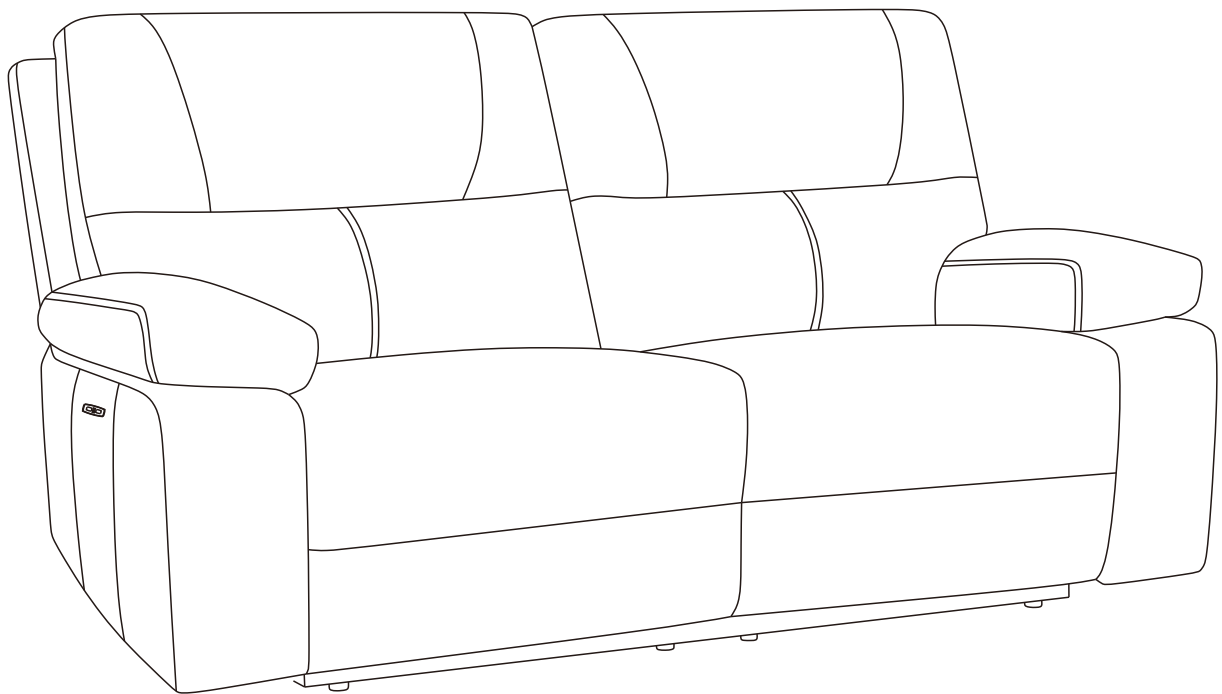


Power Reclining Sofa KMT.6027L Assembly Manual



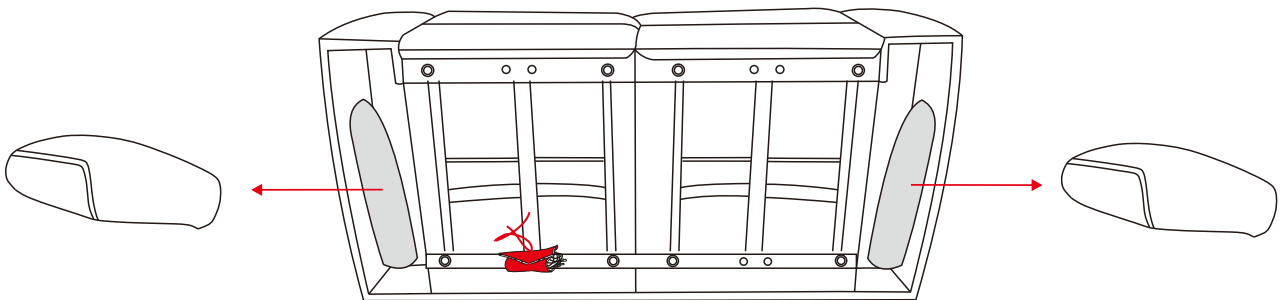
 **CAUTION**

THIS ASSEMBLY MANUAL CONTAINS IMPORTANT SAFETY INFORMATION.
PLEASE READ AND KEEP FOR FUTURE REFERENCE.

ASSEMBLY

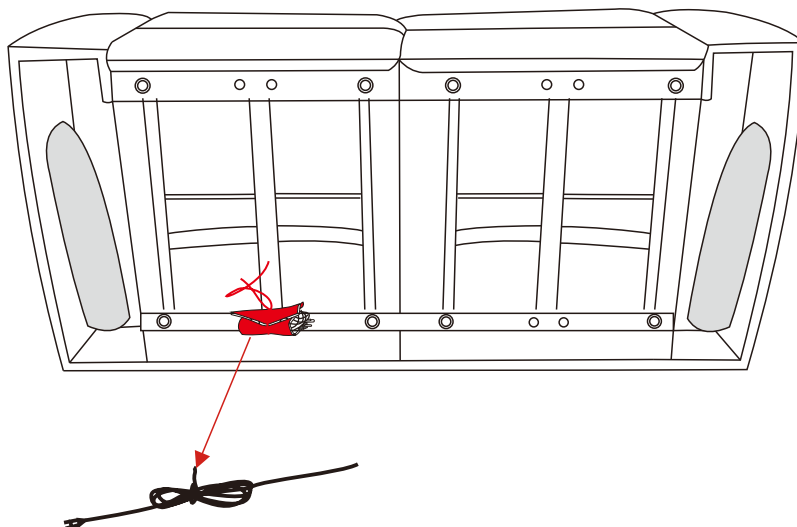
Step 1

Take out 2 arm pads at the bottom of the sofa.



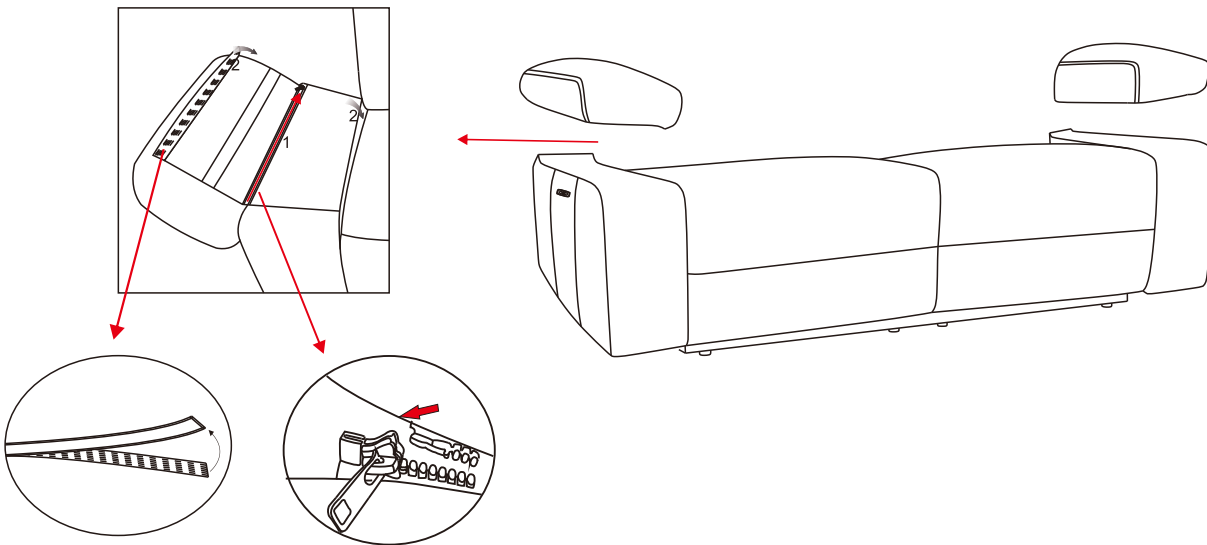
Step 2

Take out and unwarmp the cable placed at the bottom of the sofa.



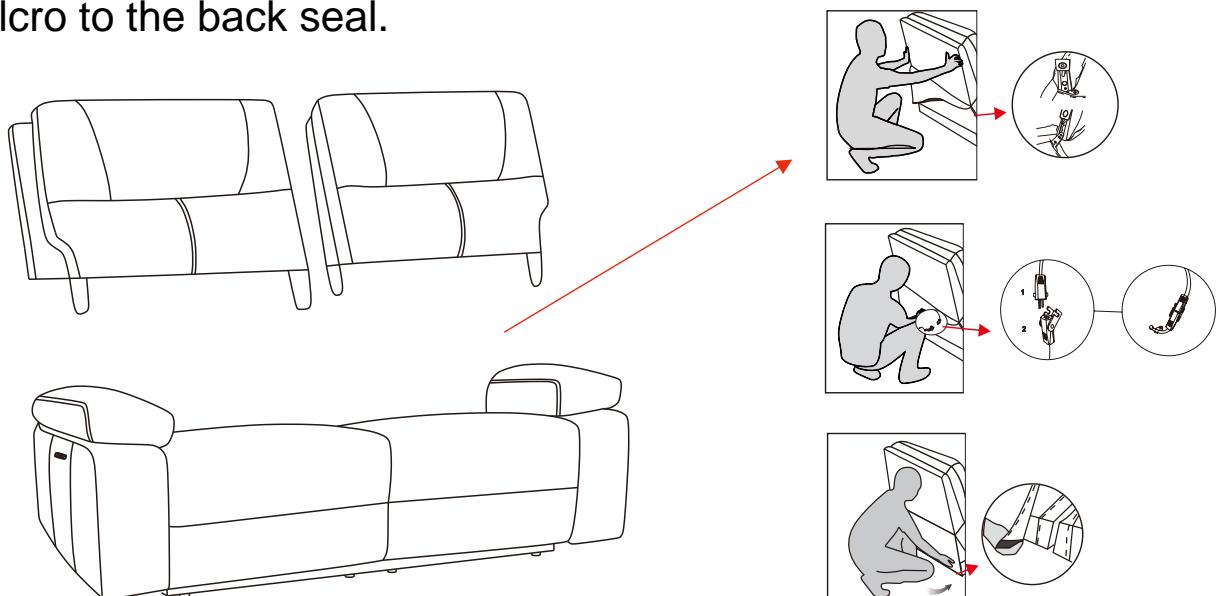
Step 3

Zip the armrest and seat cushion covers closed, then secure the Velcro strips firmly in place.



Step 4

Align and connect the functional connectors between the backrest and the seat cushion. Connect the transfer cable and secure the Velcro to the back seal.



Step 5

Connect one end of the power cord into the DC adaptor located at the back of the seat. Plug the other end of the power cord into the power outlet.

