

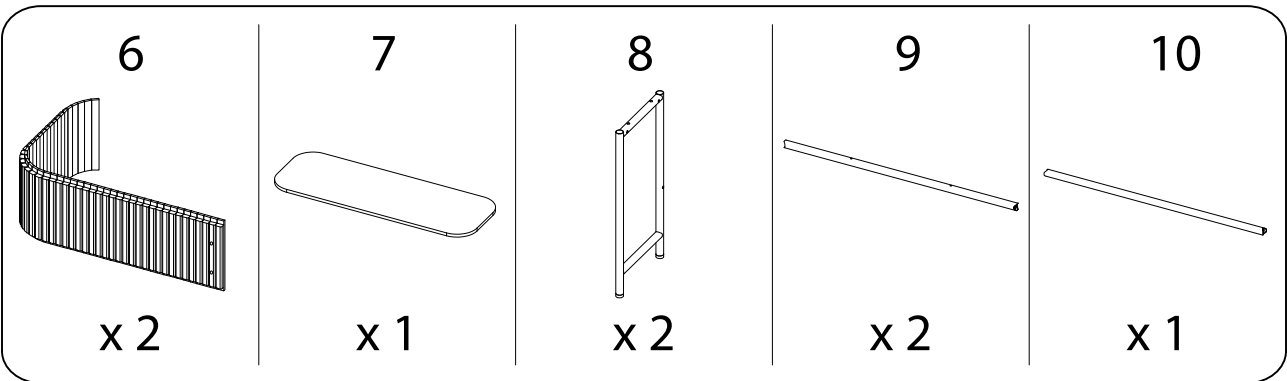
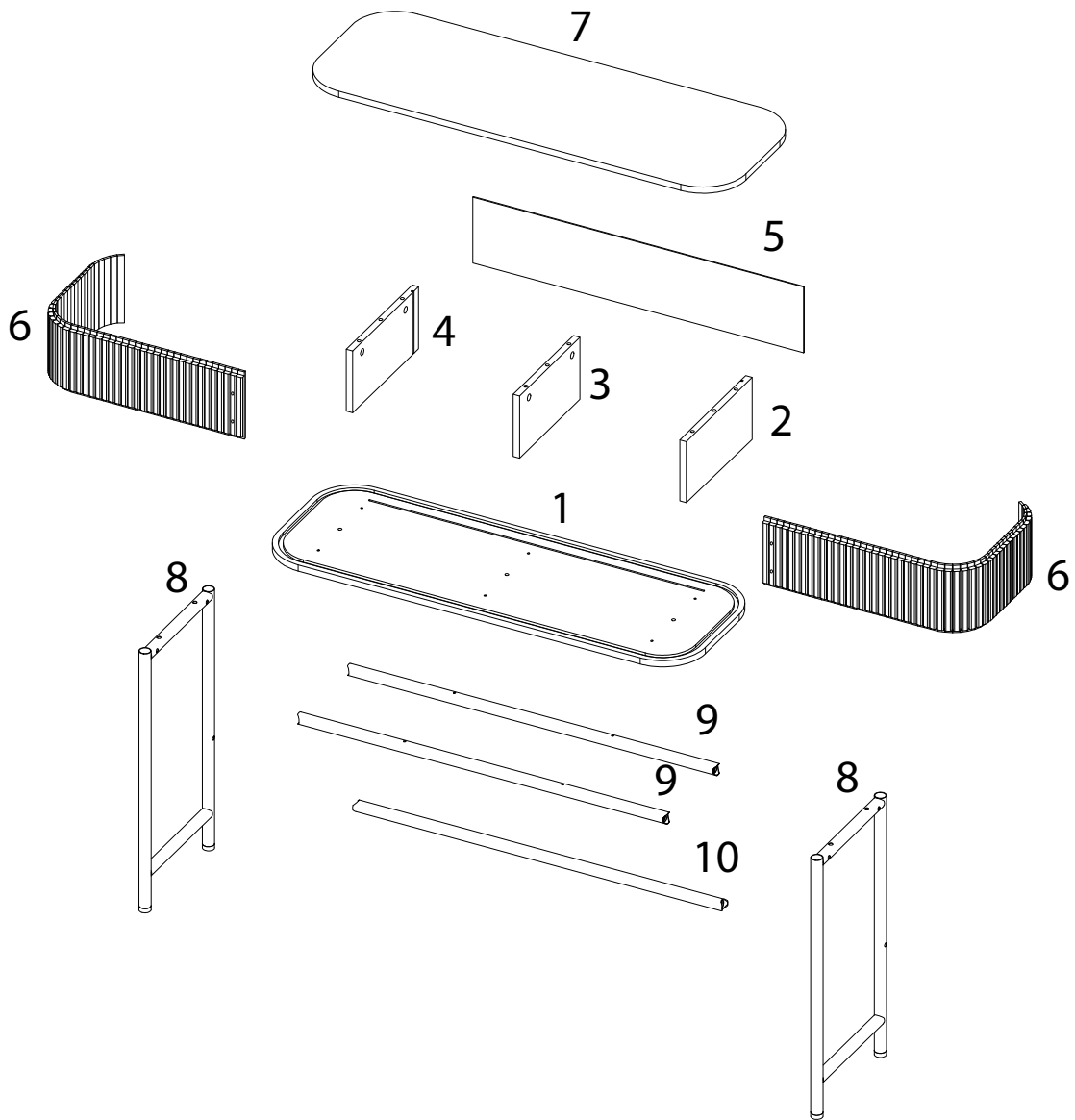
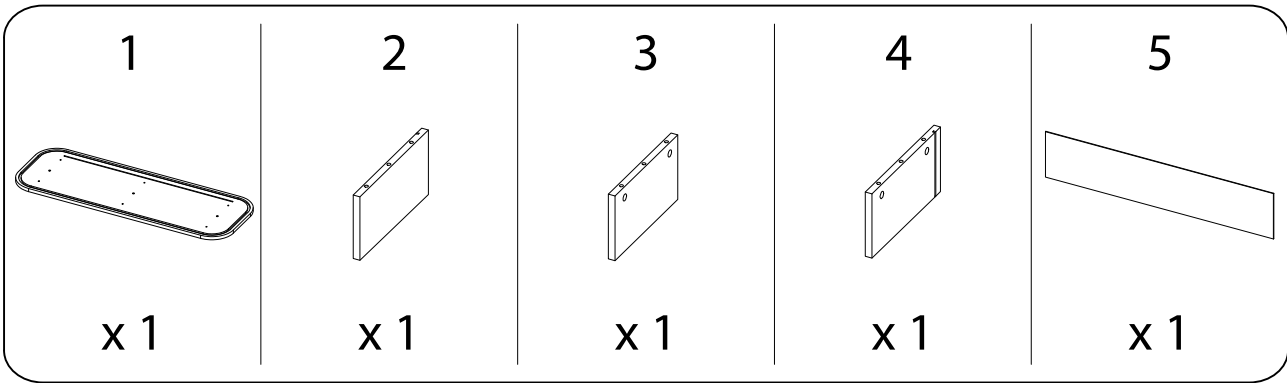
Assembly instructions for the table, including tool requirements, time, and personnel.

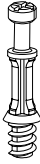
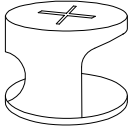

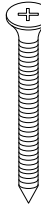
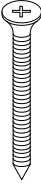
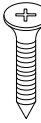

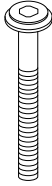
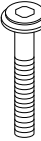
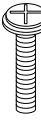
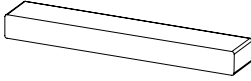
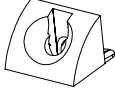
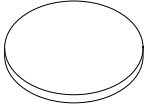
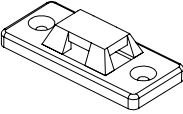
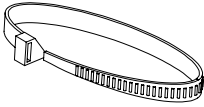

Tools: A circle containing a screwdriver and an Allen key, and a crossed-out power drill icon, indicating that a power drill is not required.

Warning: A triangle with an exclamation mark, indicating a warning or important instruction.

Time: A clock icon with the text "45'", indicating that the assembly takes 45 minutes.

Personnel: A stick figure icon with the number "2", indicating that two people are required for assembly.



<p>A</p>  <p>x 6</p>	<p>B</p>  <p>x 6</p>	<p>C</p>  <p>x 6</p>	<p>D</p>  <p>M8 x 50</p> <p>x 6</p>
<p>E</p>  <p>M8 x 38</p> <p>x 4</p>	<p>F</p>  <p>M5 x 19</p> <p>x 4</p>	<p>G</p>  <p>M6 x 15</p> <p>x 2</p>	<p>H</p>  <p>M6 x 50</p> <p>x 6</p>
<p>I</p>  <p>M6 x 35</p> <p>x 4</p>	<p>J</p>  <p>M4 x 25</p> <p>x 4</p>	<p>K</p>  <p>x 2</p>	<p>L</p>  <p>x 4</p>
<p>M</p>  <p>x 6</p>	<p>N</p>  <p>x 2</p>	<p>O</p>  <p>x 1</p>	<p>P</p>  <p>x 1</p>

1

2



x 1

3



x 1

4

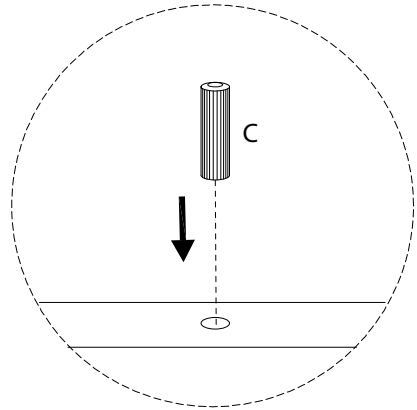
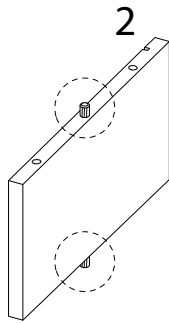
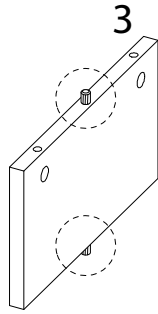
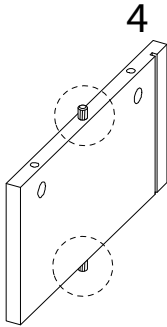


x 1

C



x 6



2

7

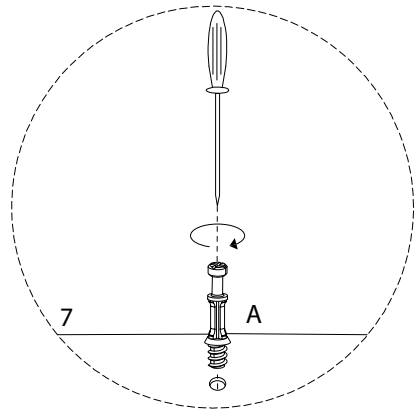
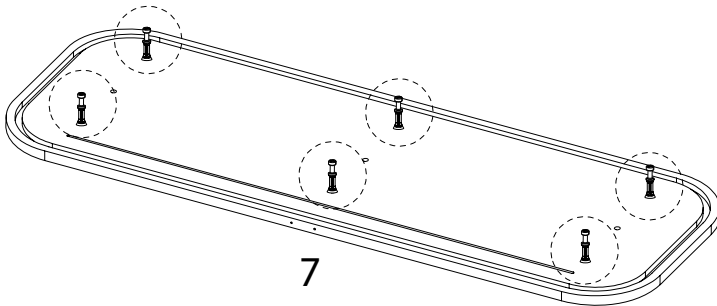


x 1

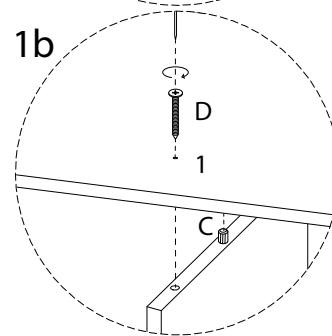
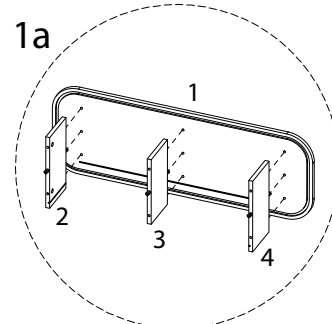
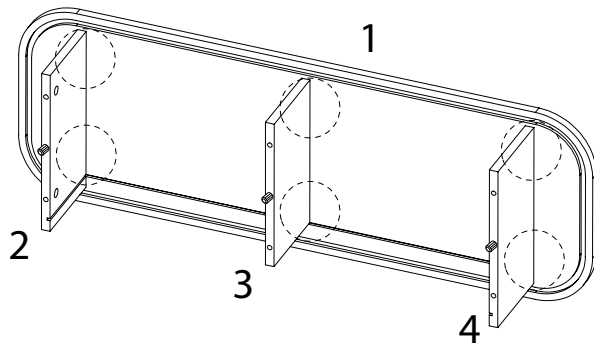
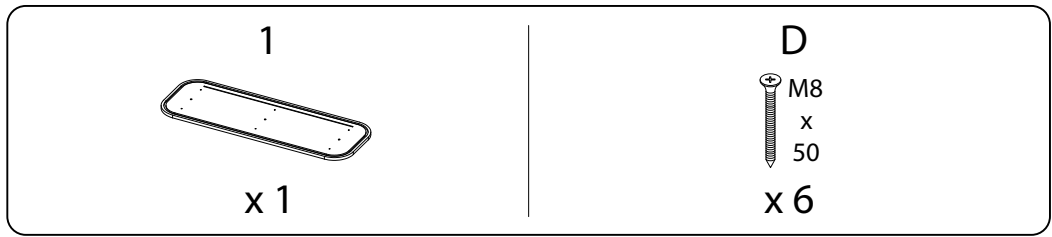
A



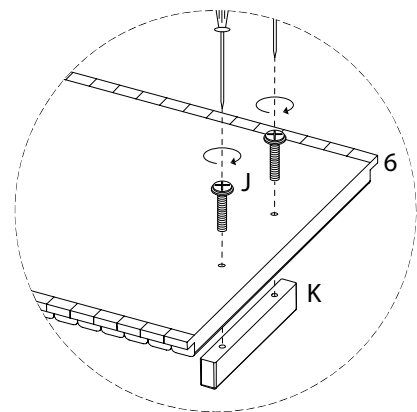
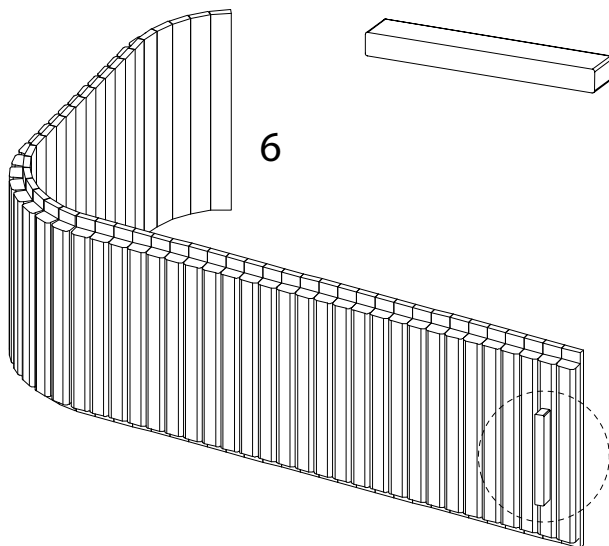
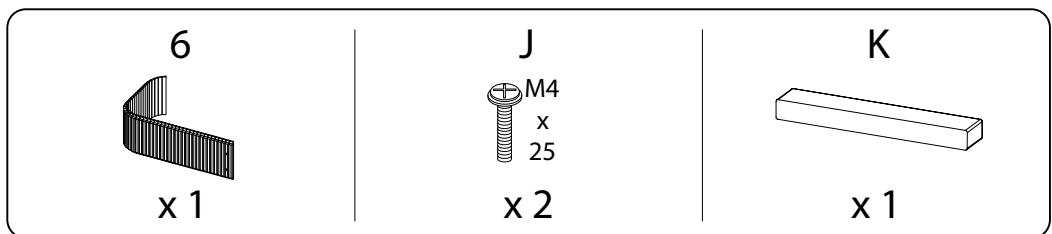
x 6



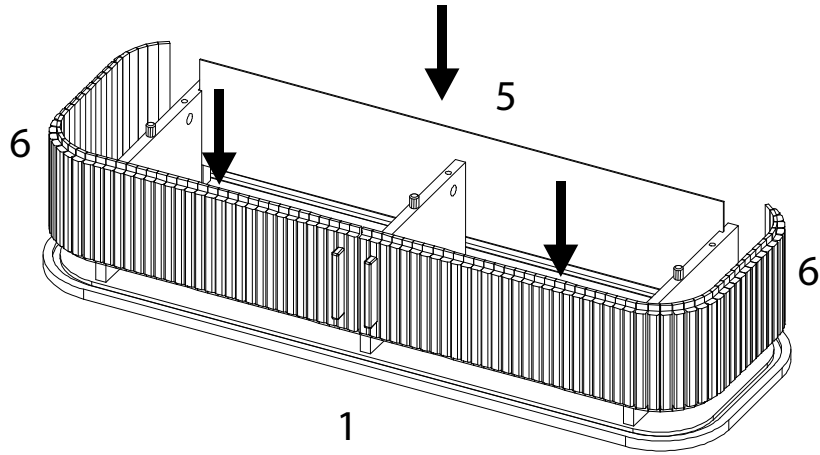
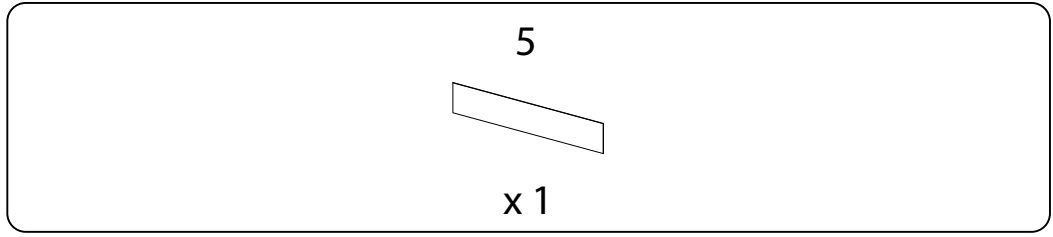
3



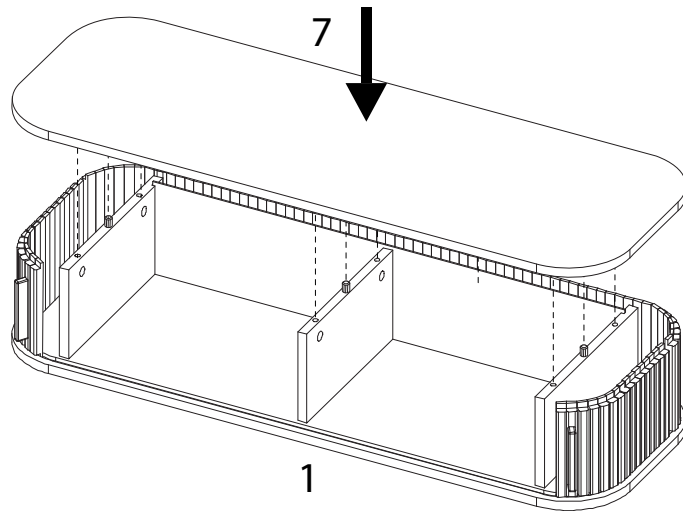
4 x 2



5



6



7

B

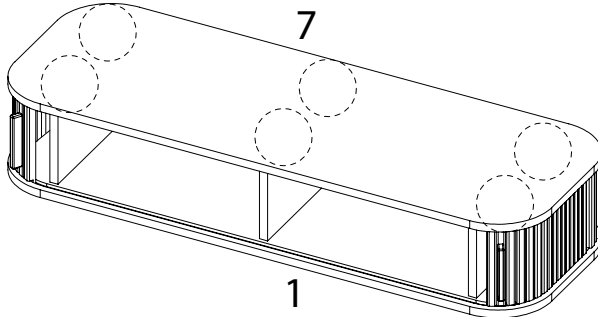


x 6

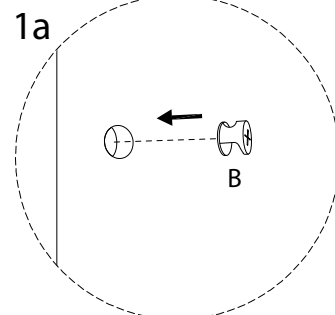
M



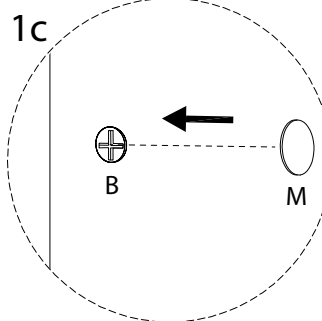
x 6



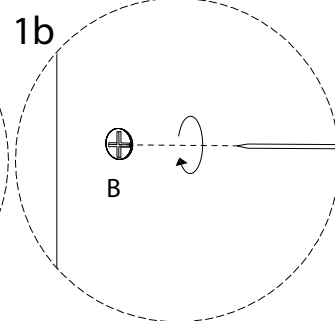
1a



1c



1b



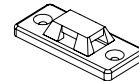
8

G

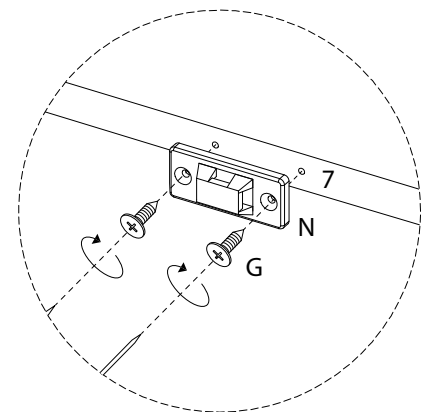
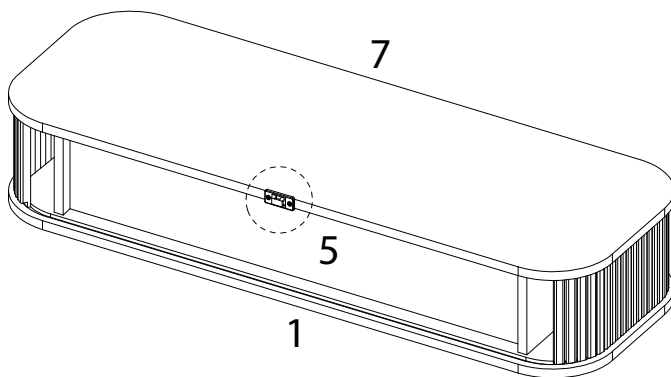


x 2

N

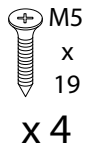


x 1

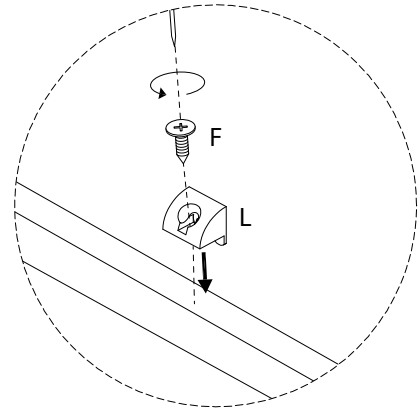
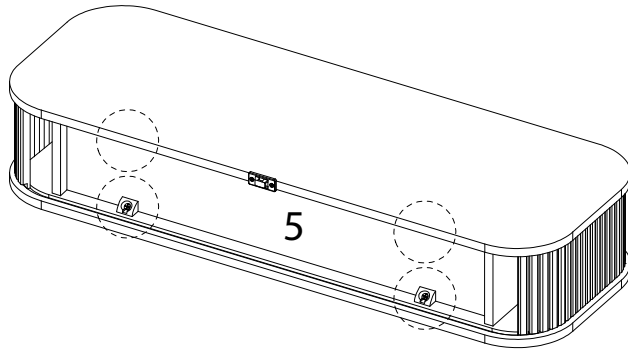


9

F



L



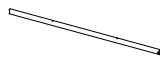
10

8



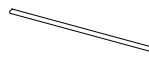
x1

9



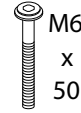
x2

10



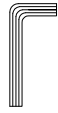
x1

H

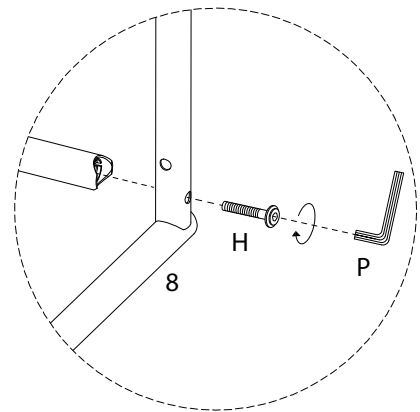
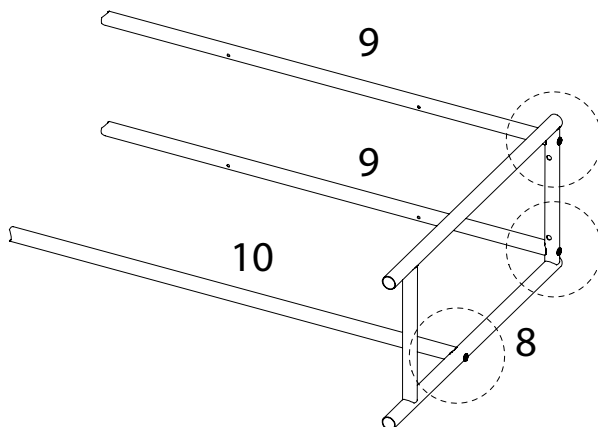


x3

P



x1



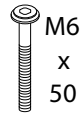
11

8



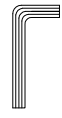
x 1

H

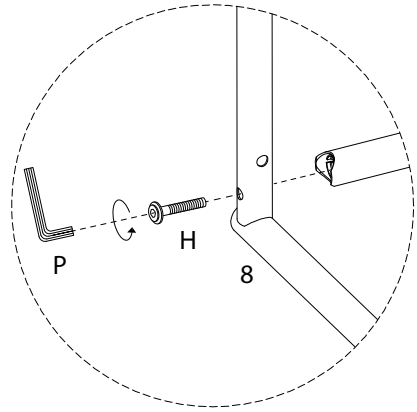
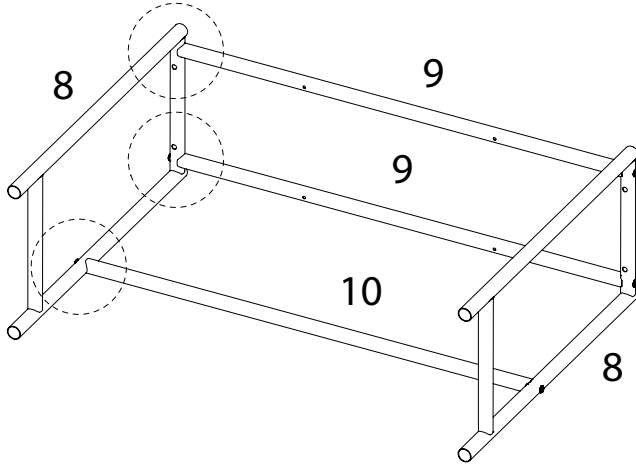


x 3

P

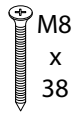


x 1



12

E



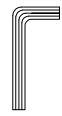
x 4

I

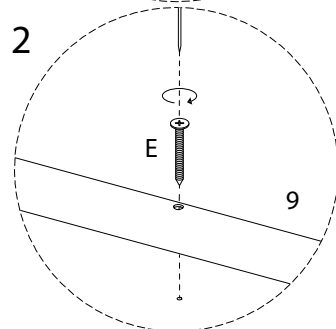
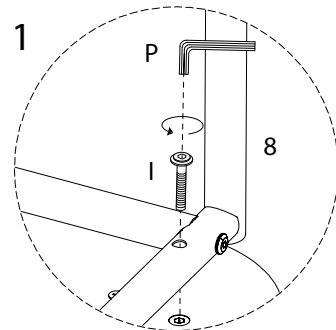
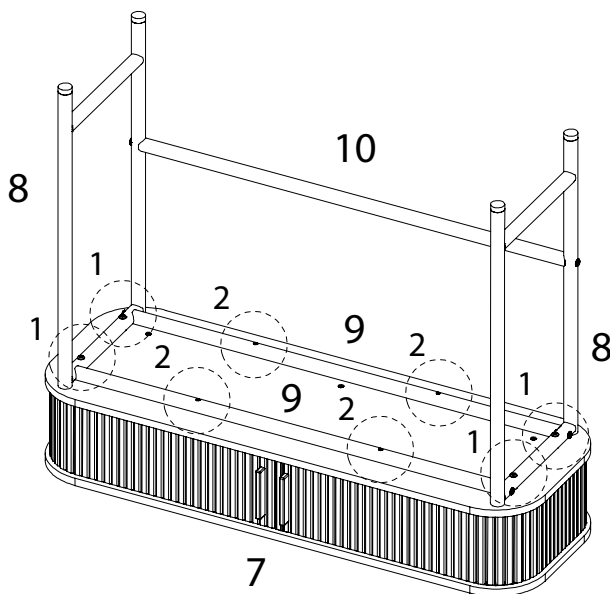


x 4

P

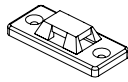


x 1



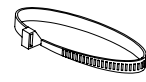
13

N



x1

O



x1

