

## NOTICE

\*Please make sure that you have all parts indicated and they are in good condition before you begin assembly of this item. Refer to part list and hardware list below for guidance.

\*This item should be assembled on a soft surface to prevent scratching the finish during assembly.

\*This item may require periodic tightening.

\*If you are having difficulty, our friendly Customer Care team is always here to help.

## PREPARATION

\*Before beginning assembly of product, make sure all parts are present. Compare parts with part contents list and hardware contents list.

\*If any part is missing or damaged, do not attempt to assemble the product.

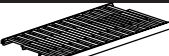














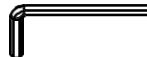
\*Tools Required for Assembly (included): Allen Key and Wrench Key

\*Estimated Assembly Time: 10 minutes.

## CARE AND MAINTENANCE

Store outdoor furniture indoors or cover well when not in use. Dust regularly with small brush or vacuum. Spills should be taken care of immediately before they harden or stain with a slightly damp sponge.

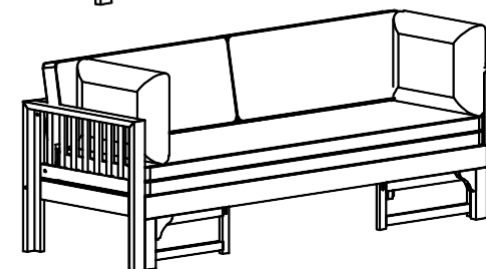
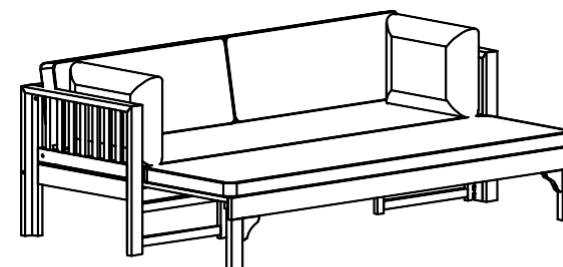
## Part List and Hardware List

PIECE	DESCRIPTION	PICTURE	QUANTITY				
A	Extendable Seat Panel		1x	I	Back Pillow		2x
B	Left Leg Panel with Support Leg		1x	HW1	Allen bolt M6x25mm		4x
C	Right Leg Panel with Support Leg		1x	HW2	Allen bolt M6x35mm		2x
D	Backrest Panel		1x	HW3	Allen Sleeve nut M6x15mm		2x
E	Left Front Leg		1x	HW4	Allen screw M7x90mm		2x
F	Right Front Leg		1x	HW5	Allen screw M7x70mm		4x
G	Foldable Seat Cushion		1x	HW6	Allen screw M6x45mm		2x
H	Foldable Back Cushion		2x	HW7	Allen Key		2x

# Owner Manual

PRODUCT DIMENSIONS:

BENCH AND BED: 78.35"L x 26.06"W x 24.02"H



Weight capacity : 550 Lbs

Warning : Do not stand on chair

Warning : Do not over torque bolts/screws

## PREPARATION

\*Before beginning assembly of product, make sure all parts are present. Compare parts with part contents list and hardware contents list.

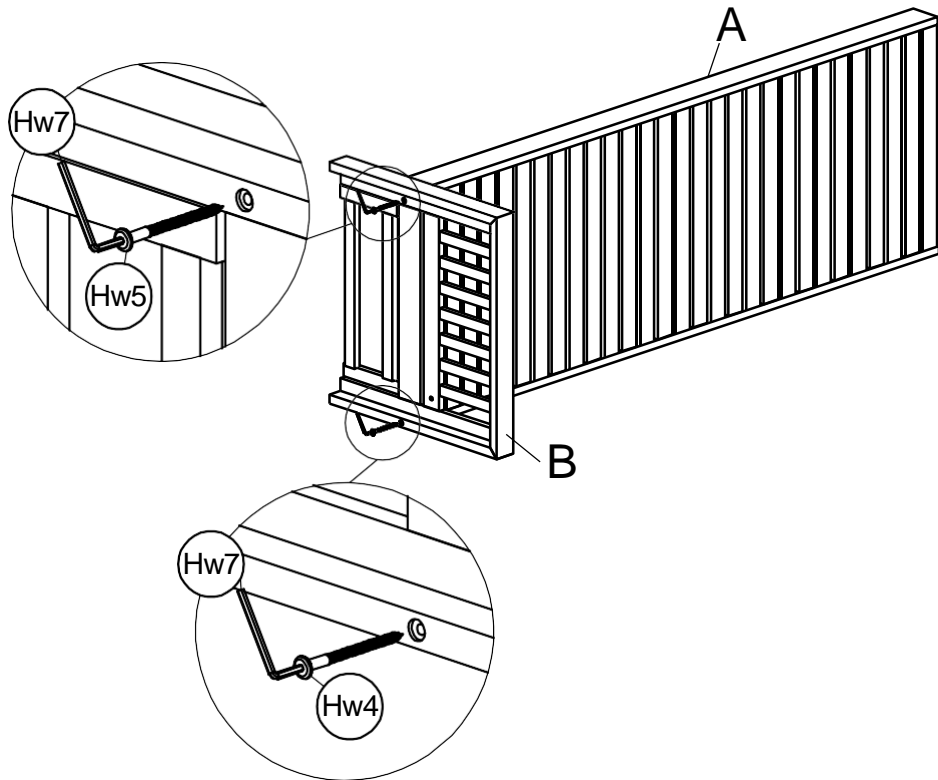
\*If any part is missing or damaged, do not attempt to assemble the product.

\*Estimated Assembly Time: 10 minutes.

\*Tools Required for Assembly (included): Allen Key

\*If you are having difficulty, our friendly Customer care team is always here to help. Please email [customersupport@safavieh.com](mailto:customersupport@safavieh.com)

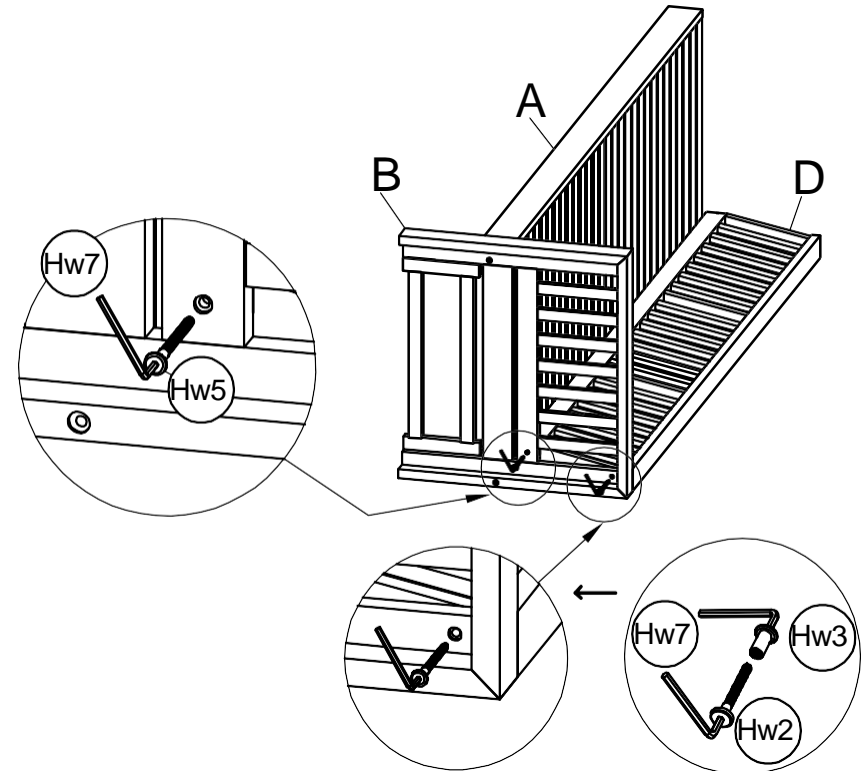
1



STEP 1: With assistance from your adult partners, position of Seat Panel (A) as shown in the above picture. Assembly Left leg Panel with Support leg frame (B) with Extendable Seat Panel (A) by Allen screw (HW4) and Allen screw (HW5), and using Allen Key (HW7) to fit.

**Do not fully tighten the Screws.**

2



STEP 2: With assistance from your adult partners, assembly Backrest Panel (D) into the whole frame of Step 1 as shown above picture by using Allen screw (HW5) + Allen bolt (HW2) and Allen bolt (HW3) with Allen Key (HW7) to fit.

**Do not fully tighten the Screws and Bolts.**

## PREPARATION

\*Before beginning assembly of product, make sure all parts are present. Compare parts with part contents list and hardware contents list.

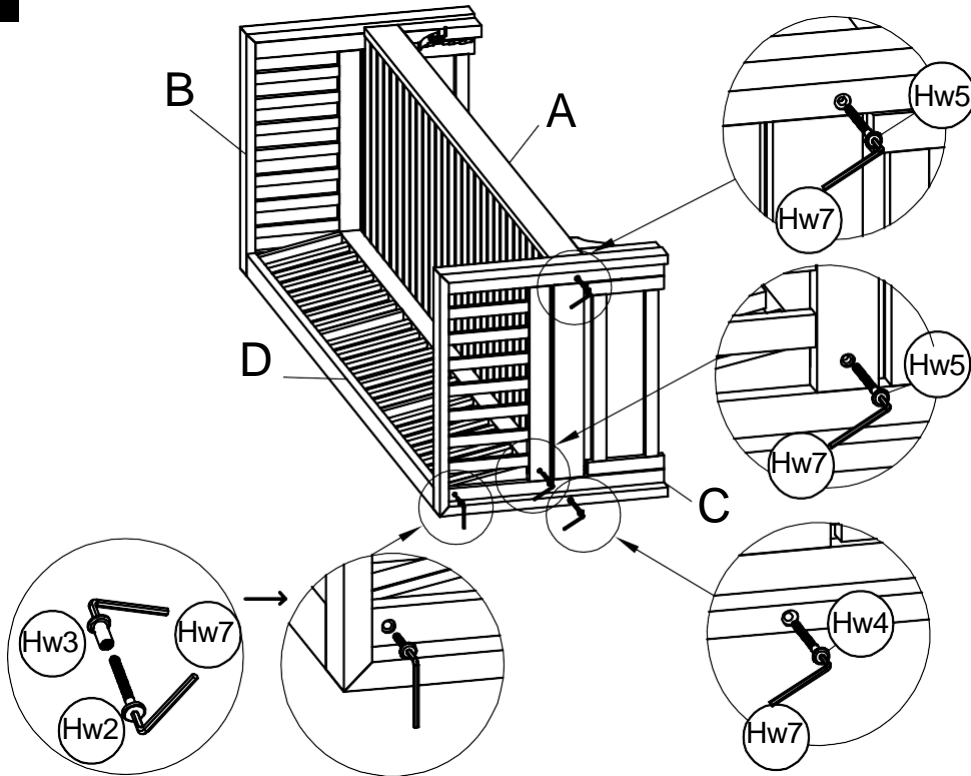
\*If any part is missing or damaged, do not attempt to assemble the product.

\*Estimated Assembly Time: 10 minutes.

\*Tools Required for Assembly (included): Allen Key

\*If you are having difficulty, our friendly Customer care team is always here to help. Please email [customersupport@safavieh.com](mailto:customersupport@safavieh.com)

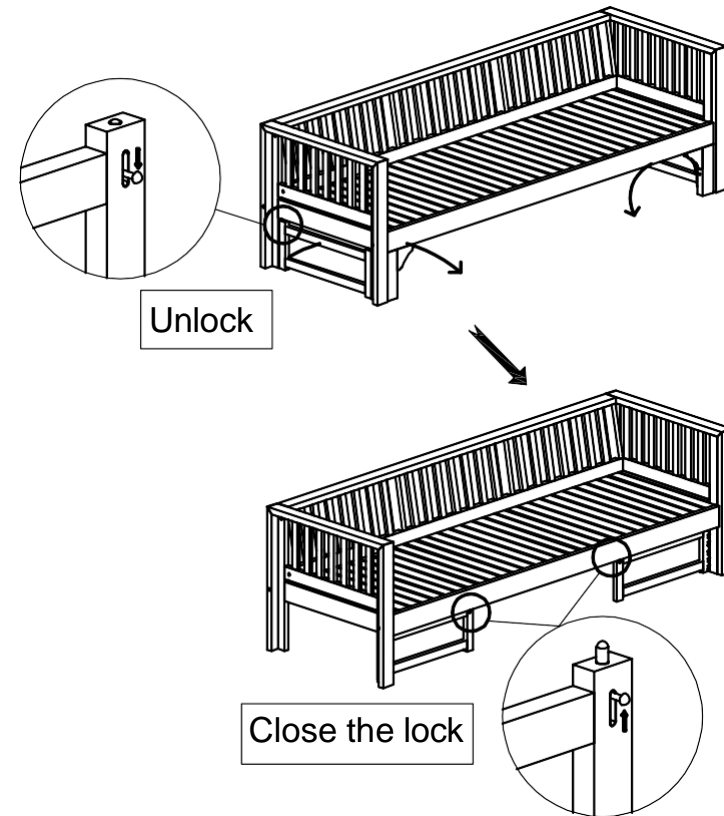
3



STEP 3: With assistance from your adult partners, repeat the same process to secure Right Leg Panel with Support Leg(C) into the whole frame of Step 2 as shown above picture by Allen bolt (HW2), Allen Sleeve nut (HW3), Allen screw (HW4) and Allen screw (HW5) with Allen Key (HW7).

**Do not fully tighten the Screws and Bolts.**

4



STEP 4: With assistance from your adult partners, turn the Daybed on a flat surface.

- Unlock: Pull down the button on Left Leg Panel with Support Leg(B) and Right Leg Panel with Support Leg(C) to unlock Support Leg.

-Close the lock: Turn Support Leg into position as shown in above picture, then pull up the button to lock the Support Leg.

## PREPARATION

\*Before beginning assembly of product, make sure all parts are present. Compare parts with part contents list and hardware contents list.

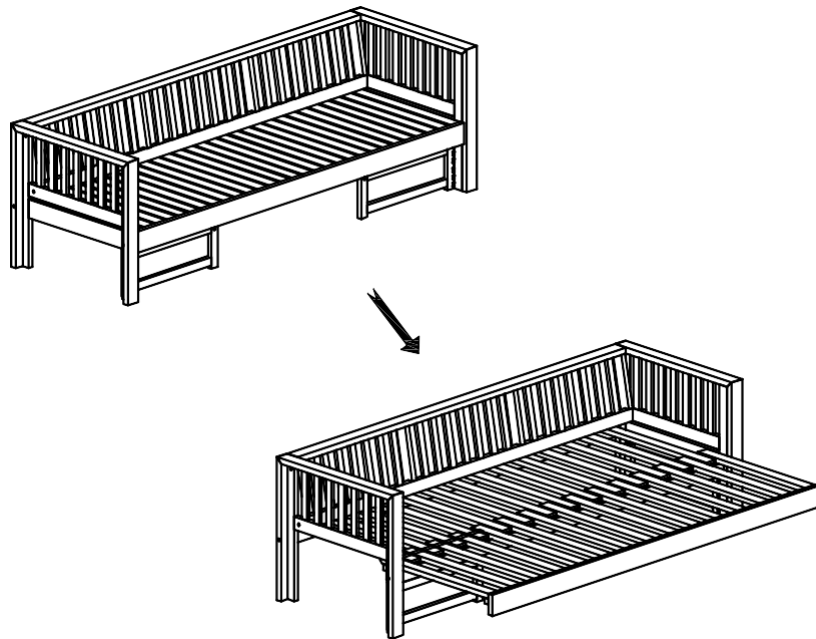
\*If any part is missing or damaged, do not attempt to assemble the product.

\*Estimated Assembly Time: 10 minutes.

\*Tools Required for Assembly (included): Allen Key

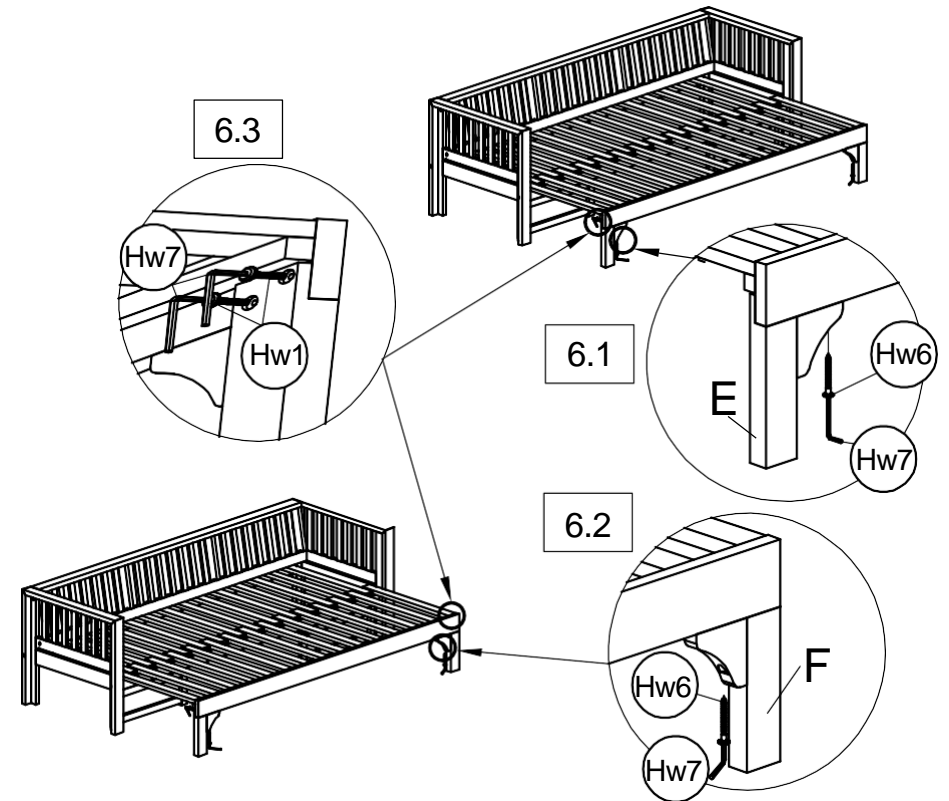
\*If you are having difficulty, our friendly Customer care team is always here to help. Please email [customersupport@safavieh.com](mailto:customersupport@safavieh.com)

5



STEP 5: With assistance from your adult partners, pull out the Extendable Seat Panel (A) in the direction of the arrow as shown in above picture.

6



STEP 6: Assemble the front legs in small steps:

- 6.1 and 6.2) Vertically, using Allen screw (HW6) with Allen Key (HW7) to fit Left Front Leg (E) and Right Front Leg (F) to Extendable Seat Panel (A).
- 6.3) Horizontally, using 2 bolts (HW1) with Allen Key (HW7) to fit Left Front Leg(E) and Right Front Leg (F) to Extendable Seat Panel (A).

## PREPARATION

\*Before beginning assembly of product, make sure all parts are present. Compare parts with part contents list and hardware contents list.

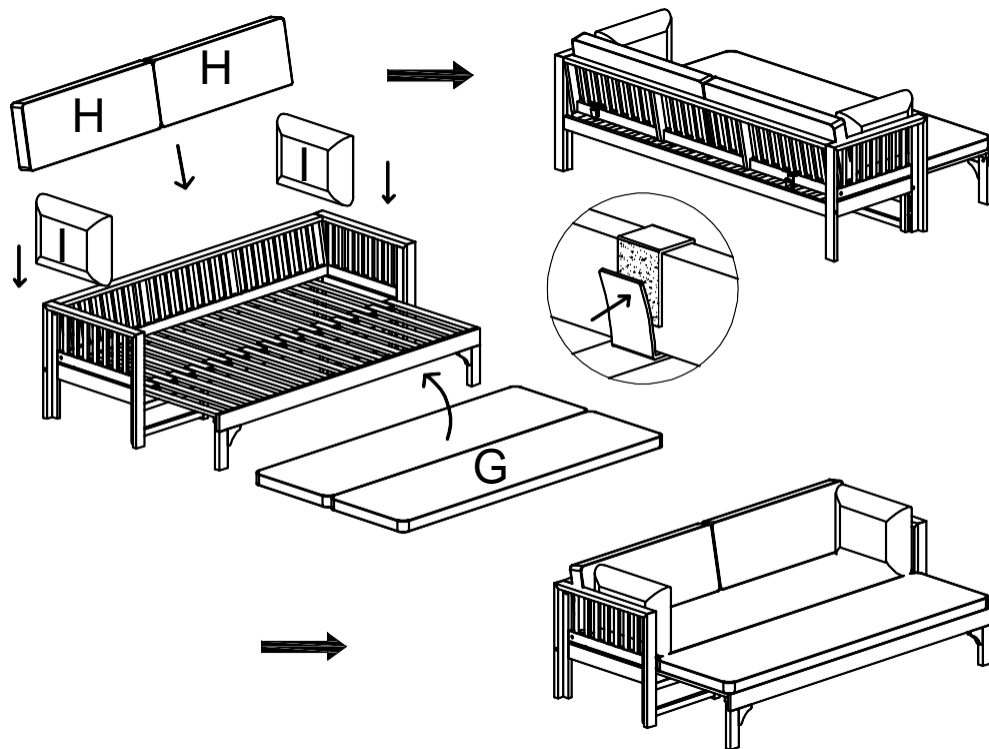
\*If any part is missing or damaged, do not attempt to assemble the product.

\*Estimated Assembly Time: 10 minutes.

\*Tools Required for Assembly (included): Allen Key

\*If you are having difficulty, our friendly Customer care team is always here to help. Please email [customersupport@safavieh.com](mailto:customersupport@safavieh.com)

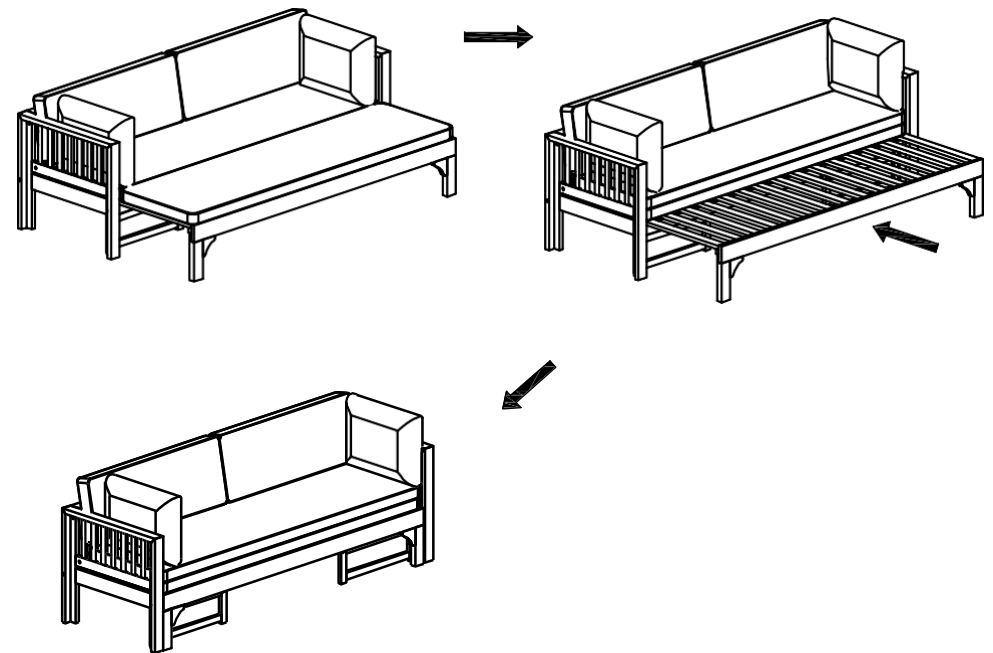
7



STEP 7: Place Extendable Seat Cushion(G), Back Cushion (H) and Pillows (I) onto the Bench, then affix the magic tape straps around the Bench and Bed as shown in the above picture.

**When tightening the Bolts and Screws, tighten sequentially.**

8



STEP 8: Fold Foldable Seat Cushion(G) in the direction of the arrow and then, push the Extendable Seat Panel(D) to shorten the Bench and Bed as shown in the above picture. Inspect the Corner chair and make sure all parts are connected. **Gently and Gracefully, sit onto the Bench and Bed.**

The Bench and Bed can only be used on a flat, level surface.