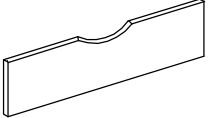
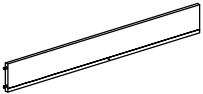
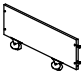
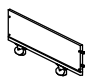
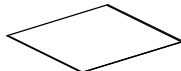



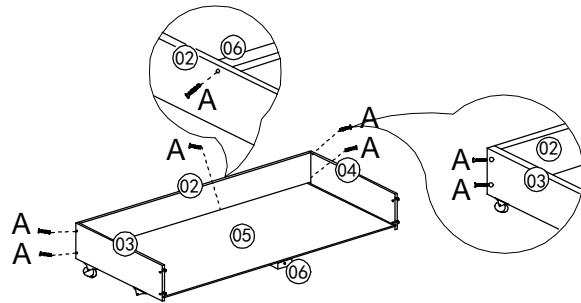
ASSEMBLY INSTRUCTION INSTRUCTION D'ASSEMBLAGE

Toy Box(One Pair) / Boîte

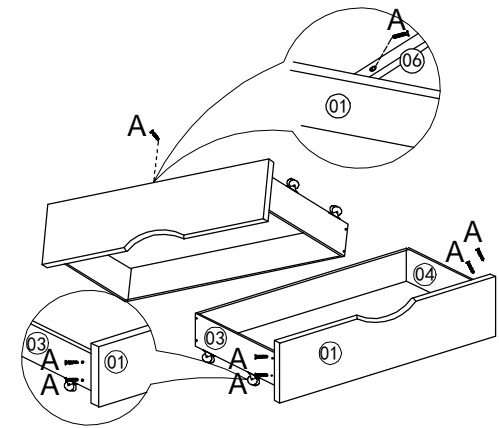
PART LIST / LISTE DE PIECES:

- | | | | | | |
|---|---|---|---|---|---|
|  |  |  |  |  |  |
| ① Front Panel / Faces Avant de Tiroir
2 PCS | ② Back Panel
/ Panneau Arriere
2PCS | ③ LSF Panel with Castor
/ Panneaux Lateraux de Tiroi
2PCS | ④ RSF Panel with Castor
/ Panneaux Lateraux de Tiroi
2PCS | ⑤ Bottom Panel / Fond de Tiroir
2PCS | ⑥ Center Support Bar
/ Centre d'assistance Bar
2PCS |

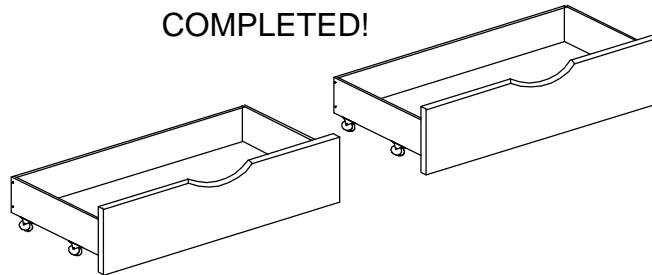
Step 1 / Etape 1



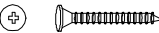
Step 2 / Etape 2



COMPLETED!



HARDWARE LIST / LISTE DE QUINCAILLERIE

A		Screw / Vis	5/32"X1 3/8"	20 PCS
----------	---	-------------	--------------	--------